

[54] **COMBINATION BEACH TOWEL AND BEACH COVER-UP**  
 [76] **Inventor: Oscar A. Hansen, 2263 Spruce St., Naples, Fla. 33962**  
 [\*\*] **Term: 14 Years**  
 [21] **Appl. No.: 938,124**  
 [22] **Filed: Dec. 1, 1986**  
 [52] **U.S. Cl. .... D2/25**  
 [58] **Field of Search ..... D2/25, 12, 17; 2/74, 2/69, 67, 89, 105**

3,079,611 3/1963 Boryszewski ..... 2/89  
 3,176,315 4/1965 Freund ..... 2/69  
 3,381,306 5/1968 Innes ..... 2/69  
 3,633,215 1/1972 Richards ..... 2/105

*Primary Examiner*—Bernard Ansher  
*Assistant Examiner*—Terry Pfeffer  
*Attorney, Agent, or Firm*—Merrill N. Johnson

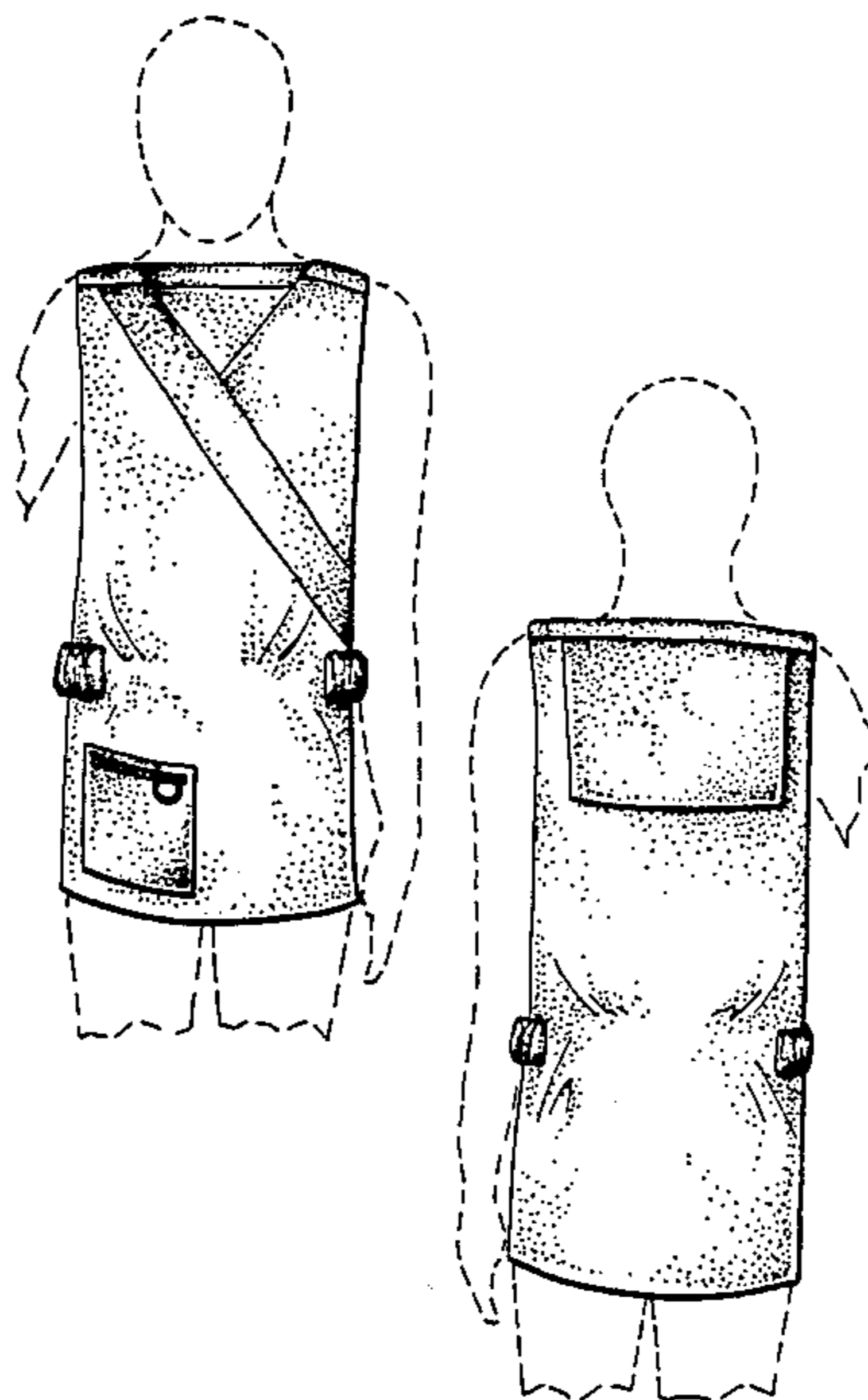
[57] **CLAIM**

The ornamental design for combination beach towel and beach cover-up, as shown and described.

**DESCRIPTION**

FIG. 1 is a perspective view of a combination beach towel and beach cover-up showing my new design, shown partially broken away;  
 FIG. 2 is a front elevational view thereof;  
 FIG. 3 is a rear elevational view thereof; and  
 FIG. 4 is a left side elevational view thereof.  
 The human figure shown in FIGS. 2-4 is in broken lines for illustrative purposes only.

[56] **References Cited**  
**U.S. PATENT DOCUMENTS**  
 1,432,249 10/1922 Hoyme ..... D2/12  
 1,497,685 6/1924 Hoyme ..... 2/67  
 2,344,010 3/1944 Walsh ..... 2/69  
 2,420,344 5/1947 Alexander ..... 2/69  
 3,013,274 12/1961 Dike ..... 2/69



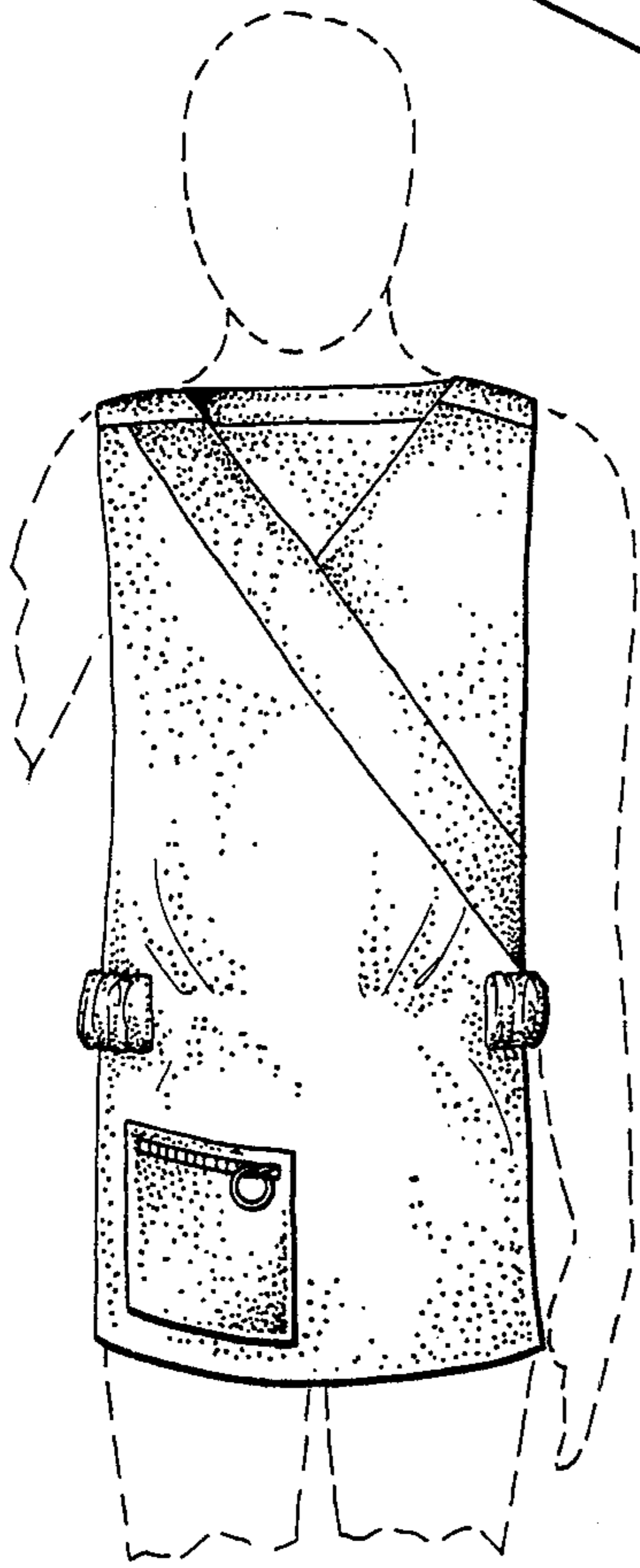
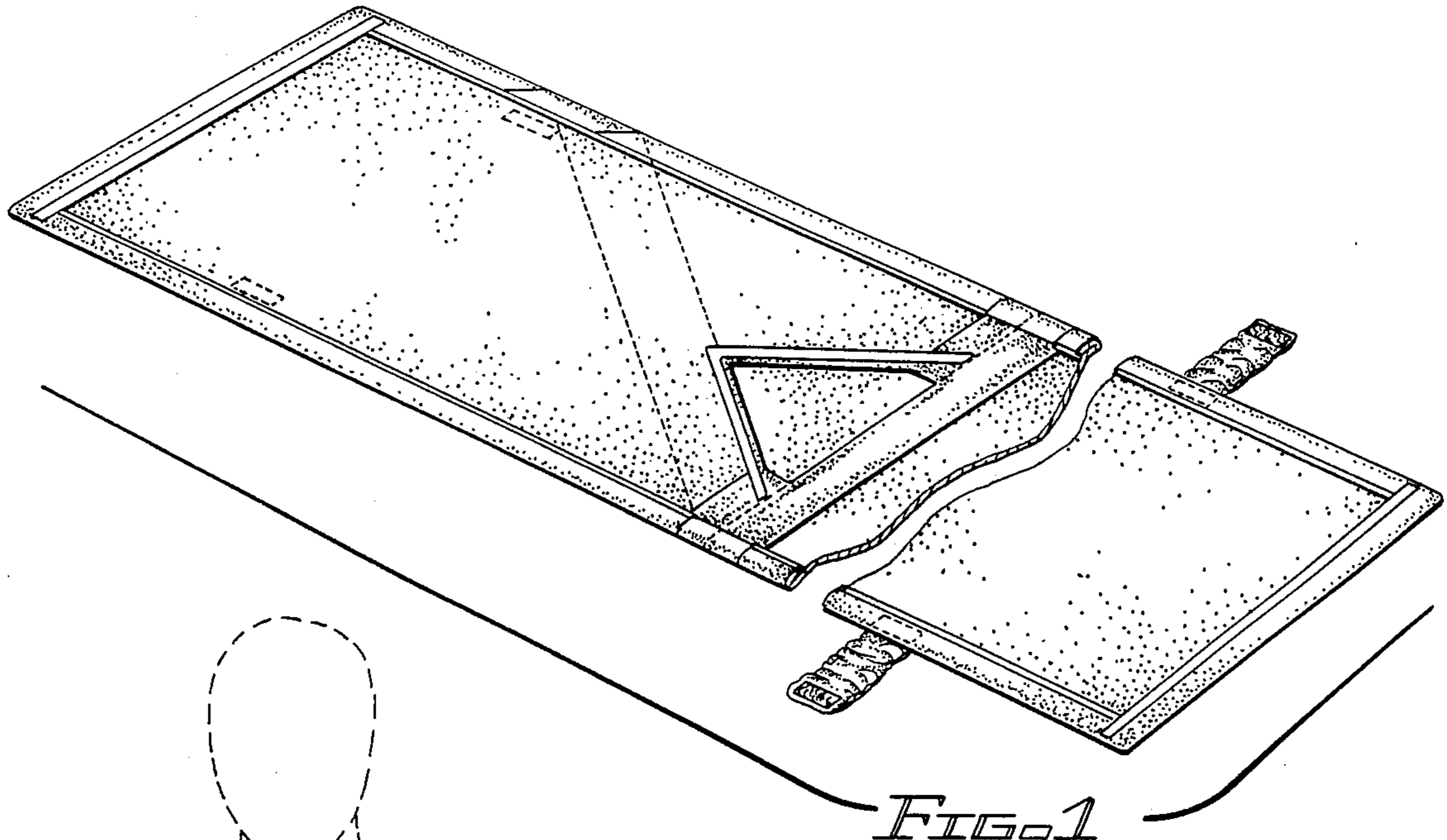


FIG. 2

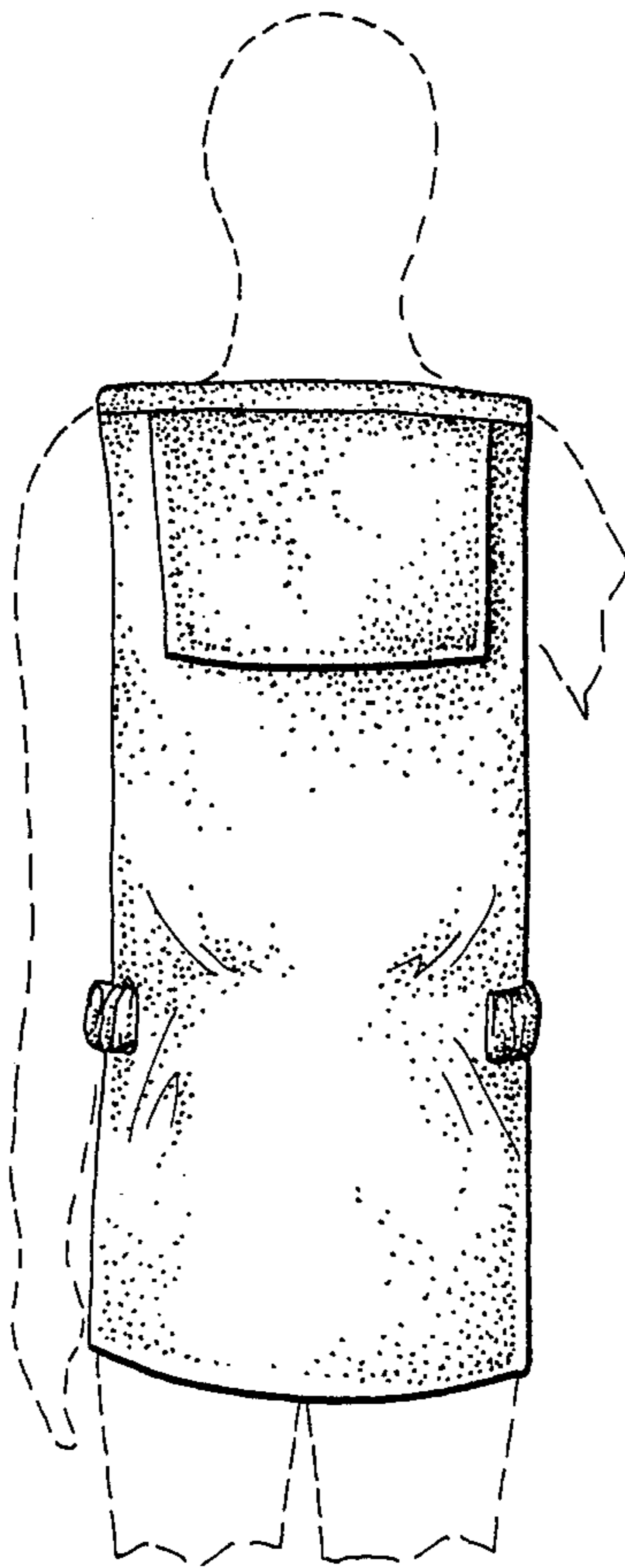


FIG. 3

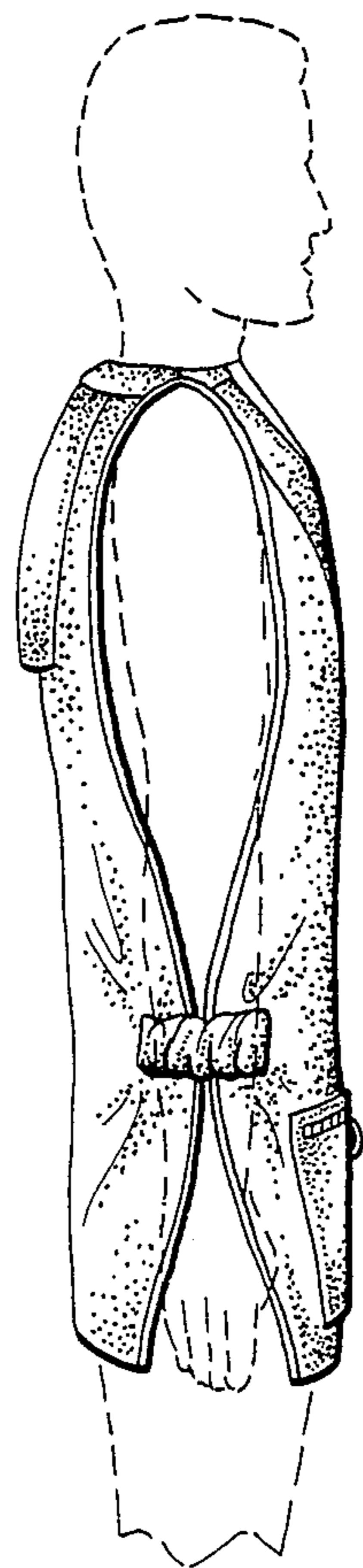


FIG. 4