

[54] COMBINED TRASH CONTAINERS AND CART THEREFOR

[76] Inventor: Jordan E. Wilson, 967 Continental, Detroit, Mich. 48215

[**] Term: 14 Years

[21] Appl. No.: 923,734

[22] Filed: Oct. 24, 1986

[52] U.S. Cl. D34/25; D34/5

[58] Field of Search D34/12, 17, 19, 24, D34/25, 26, 1, 5, 7; 280/47.26, 47.19, 47.24, 654

[56] References Cited

U.S. PATENT DOCUMENTS

D. 231,722	6/1974	Mockler	D34/5
D. 289,936	5/1987	Shoctor	D34/24
1,970,727	8/1934	Bates	280/47.26
3,111,333	11/1963	Marini et al.	D34/5
3,191,960	6/1965	Turner	D34/5
3,194,576	7/1965	Kunkle	280/654
3,762,738	10/1973	Christina	D34/5
4,362,309	12/1982	Stamper	280/47.19

Primary Examiner—Wallace R. Burke
Assistant Examiner—Kay H. Chin
Attorney, Agent, or Firm—Cullen, Sloman, Cantor, Grauer, Scott, & Rutherford

[57] CLAIM

The ornamental design for a combined trash containers and cart therefor, as shown and described.

DESCRIPTION

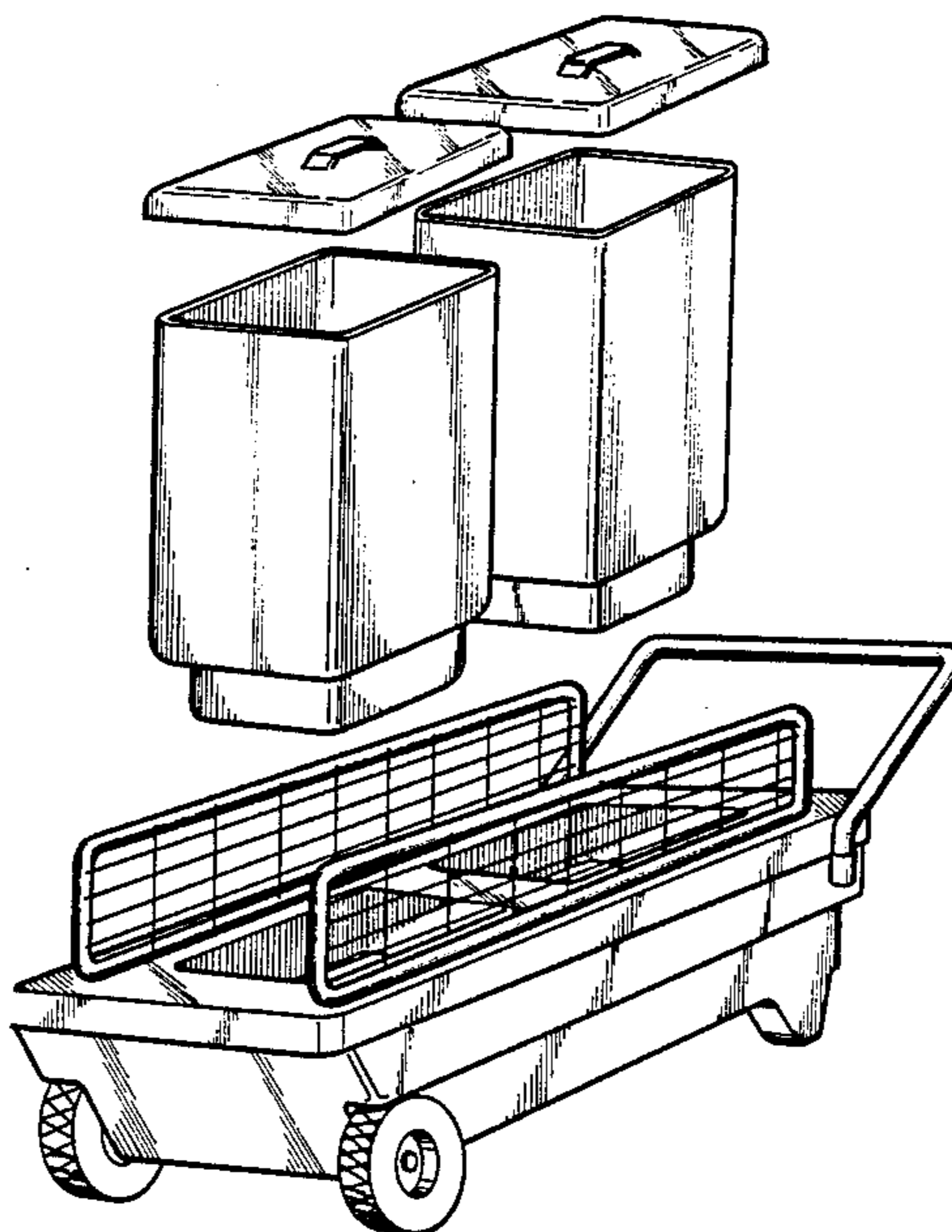
FIG. 1 is a perspective view of a combined trash containers and cart therefor showing my new design, the lids of the containers being removed and the containers being elevated from the bottom of the cart for clarity of illustration;

FIG. 2 is a side elevational view thereof, the opposite side elevational view being a mirror image of that shown;

FIG. 3 is a rear elevational view thereof;

FIG. 4 is a front elevational view thereof; and

FIG. 5 is a side elevational view of the combined trash containers and cart therefor showing a second embodiment, the difference from the first embodiment being in an expanded cart having three trash containers thereof.



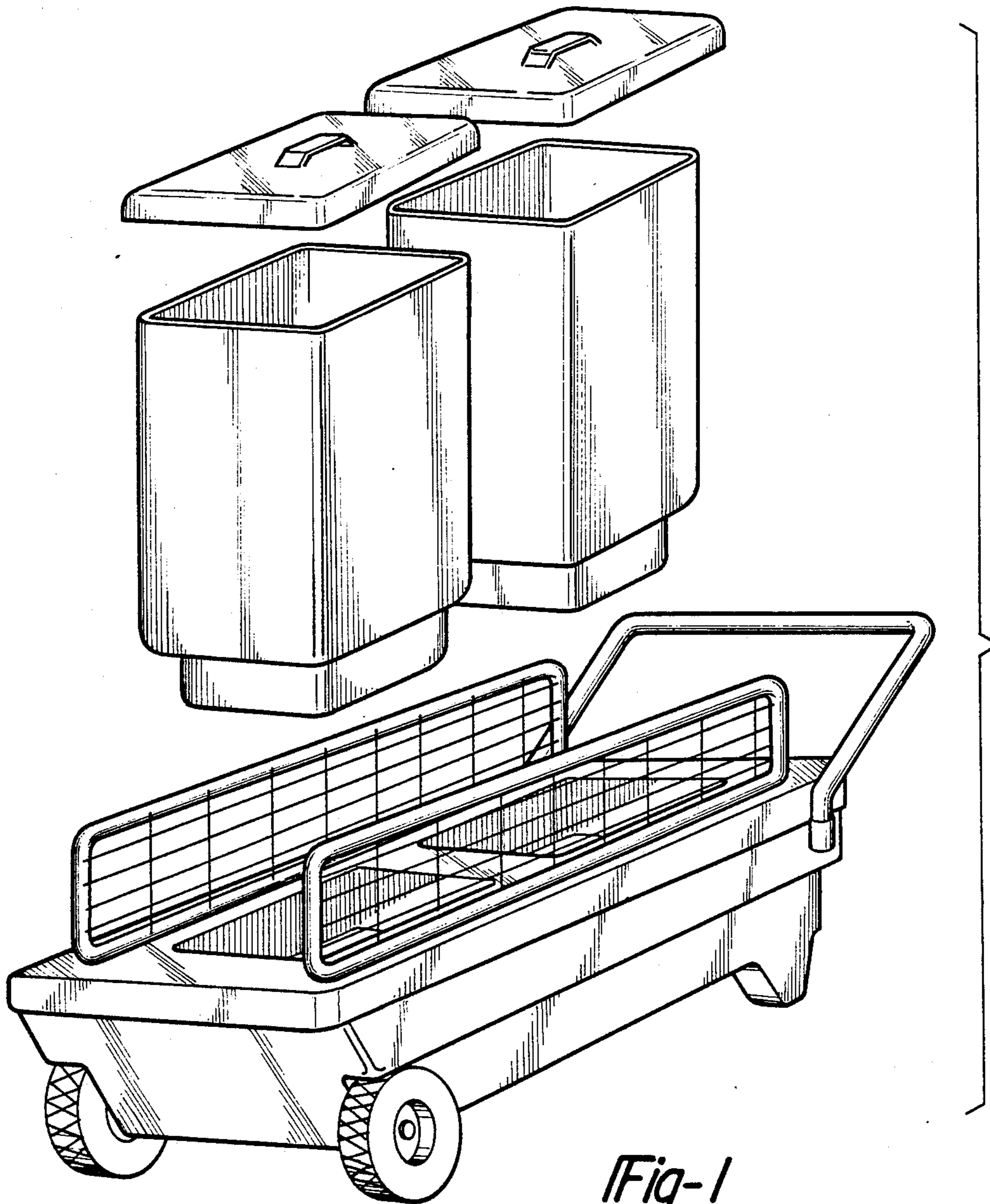


Fig-1

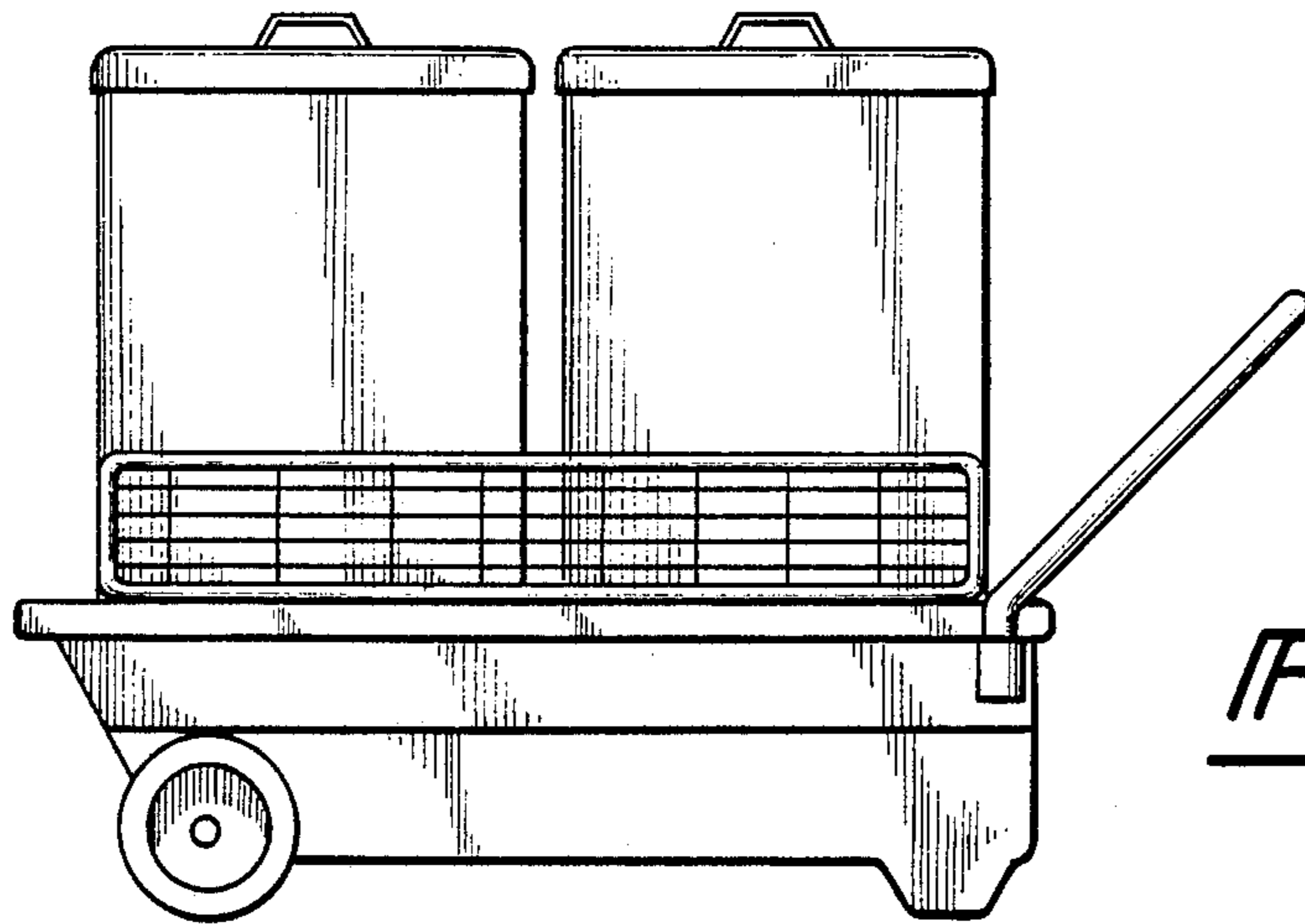


Fig-2

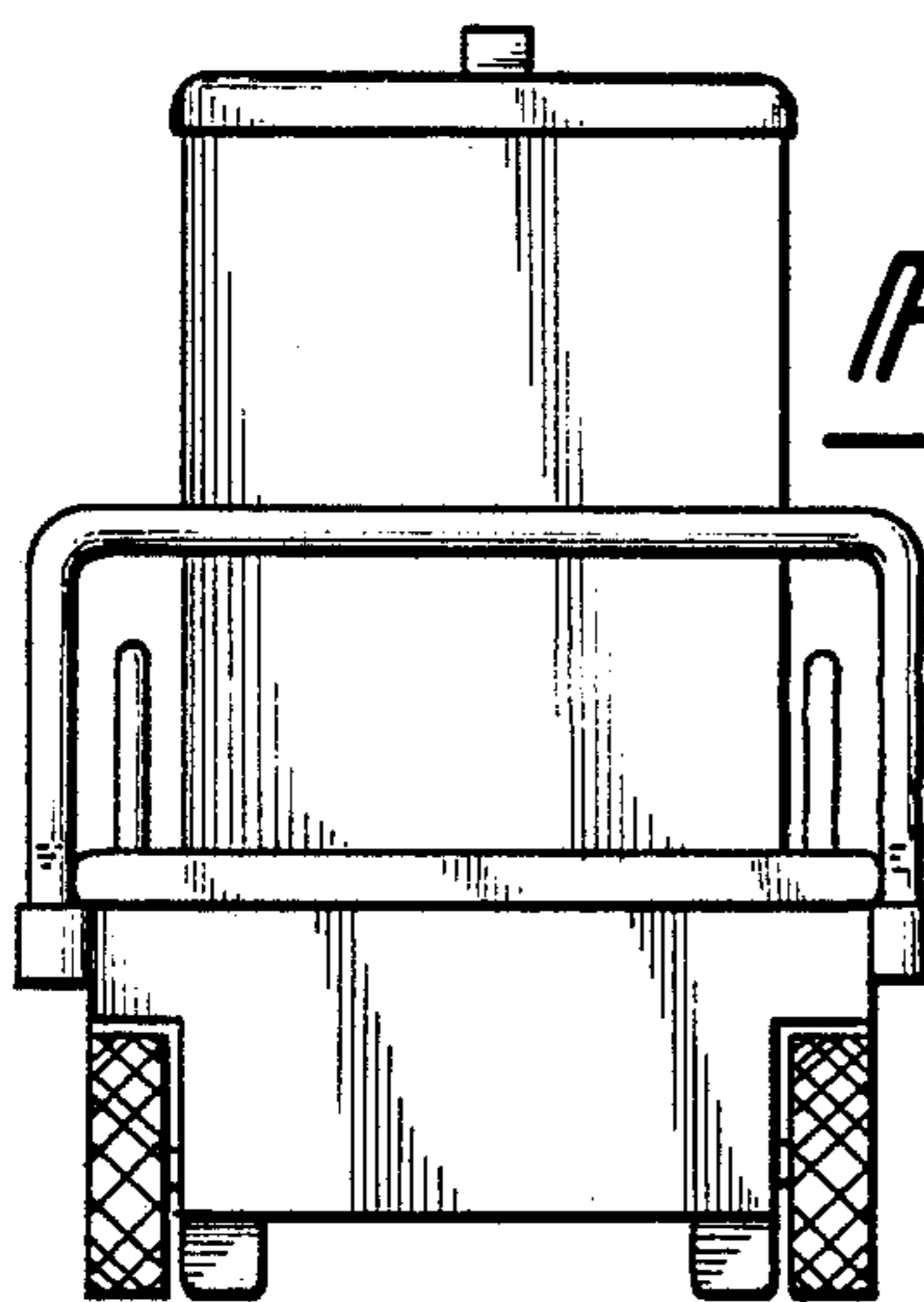


Fig-4

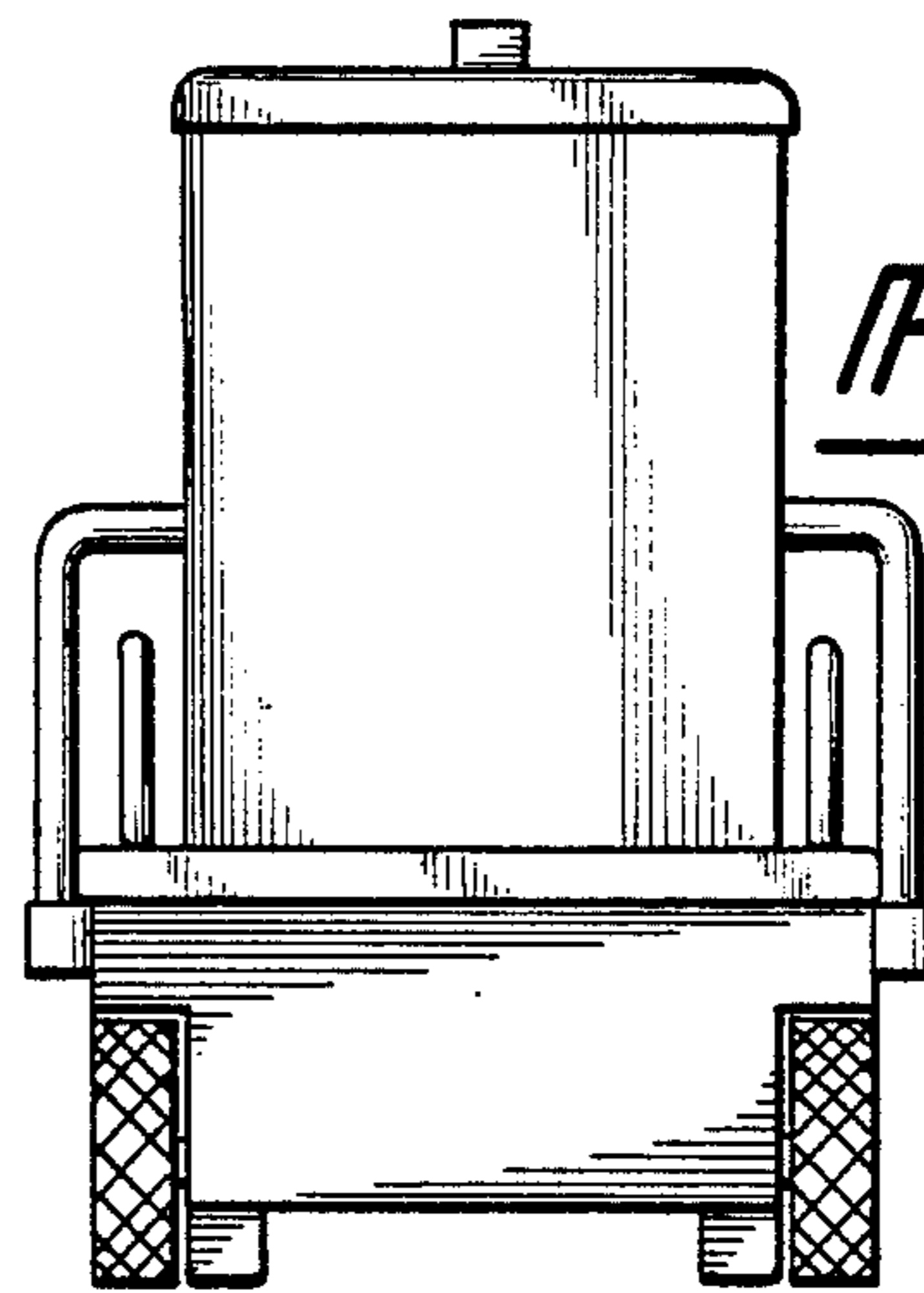


Fig-3

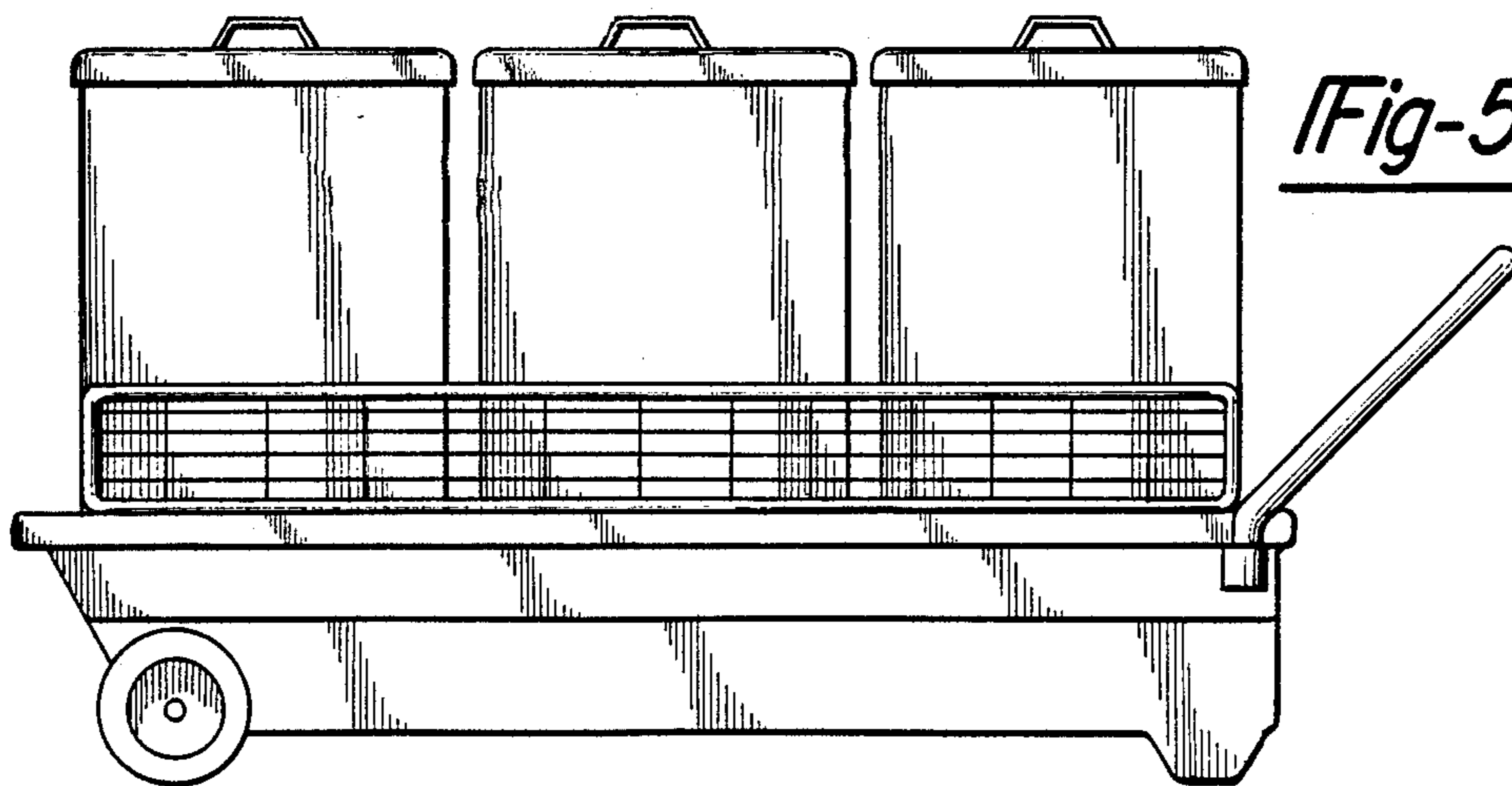


Fig-5