

[54] COMBINED BAG HOLDER AND STAND

[75] Inventor: Alan F. Savicki, South Windsor, Conn.

[73] Assignee: First Brands Corporation, Danbury, Conn.

[**] Term: 14 Years

[21] Appl. No.: 869,030

[22] Filed: May 30, 1986

[52] U.S. Cl. D34/6

[58] Field of Search D34/1, 5, 6; 248/95, 248/97, 98, 99, 100, 101, DIG. 7, 220.4; 211/71; 220/18.1; D8/363

[56] References Cited

U.S. PATENT DOCUMENTS

- D. 207,032 2/1967 Stall D34/5
- D. 215,559 10/1969 Voorhees D34/5
- D. 216,266 12/1969 Cherry D34/6
- D. 238,649 2/1976 Martin D34/5
- D. 243,153 1/1977 Solomon D8/363

- D. 249,460 9/1978 Bleed D8/363
- D. 252,441 7/1979 Allen D34/6
- D. 276,663 12/1984 Warren D34/6
- D. 294,994 3/1988 Burgett D34/6
- 3,070,339 12/1962 Schayer 248/220.4
- 4,319,726 3/1982 Andersson 248/97

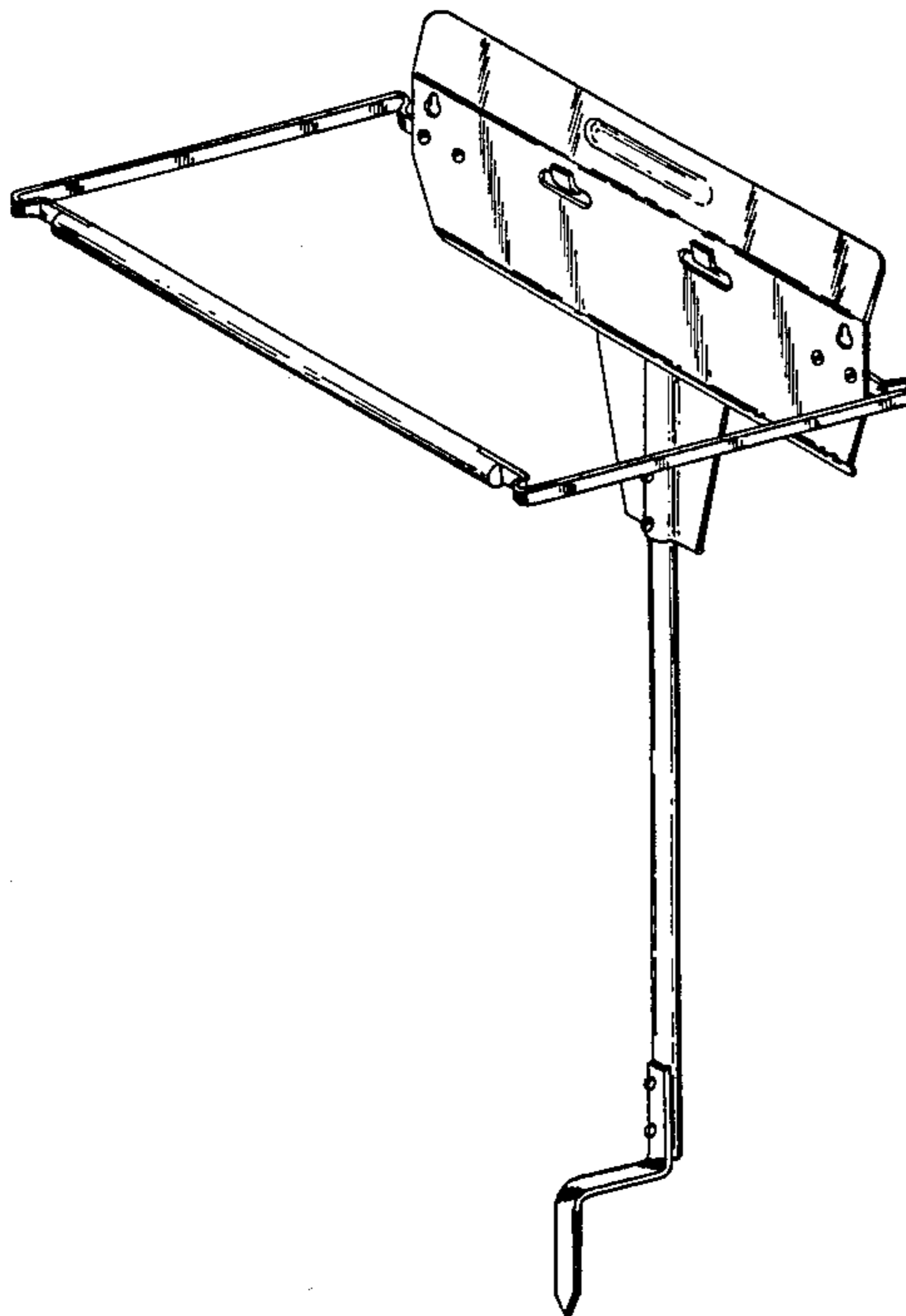
Primary Examiner—Wallace R. Burke
Assistant Examiner—Kay H. Chin
Attorney, Agent, or Firm—Gary L. Wamer

[57] CLAIM

The ornamental design for a combined bag holder and stand, as shown and described.

DESCRIPTION

FIG. 1 is a front prospective view of a combined bag holder and stand showing my new design; FIG. 2 is a front elevational view thereof; FIG. 3 is a top plan view thereof; FIG. 4 is a side elevational view thereof; FIG. 5 is a rear elevational view thereof; FIG. 6 is a front prospective view of bag holder without the stand.



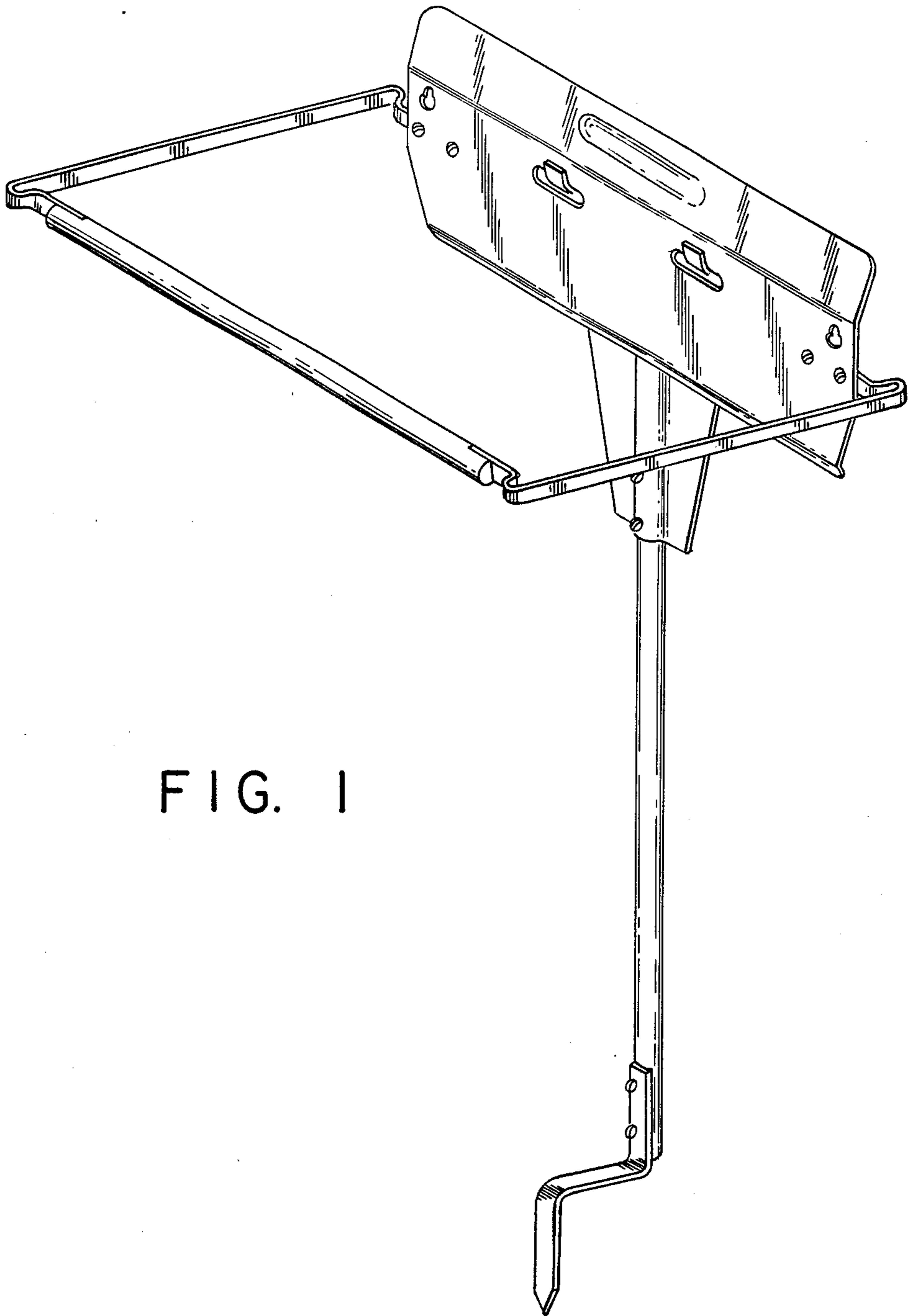


FIG. 1

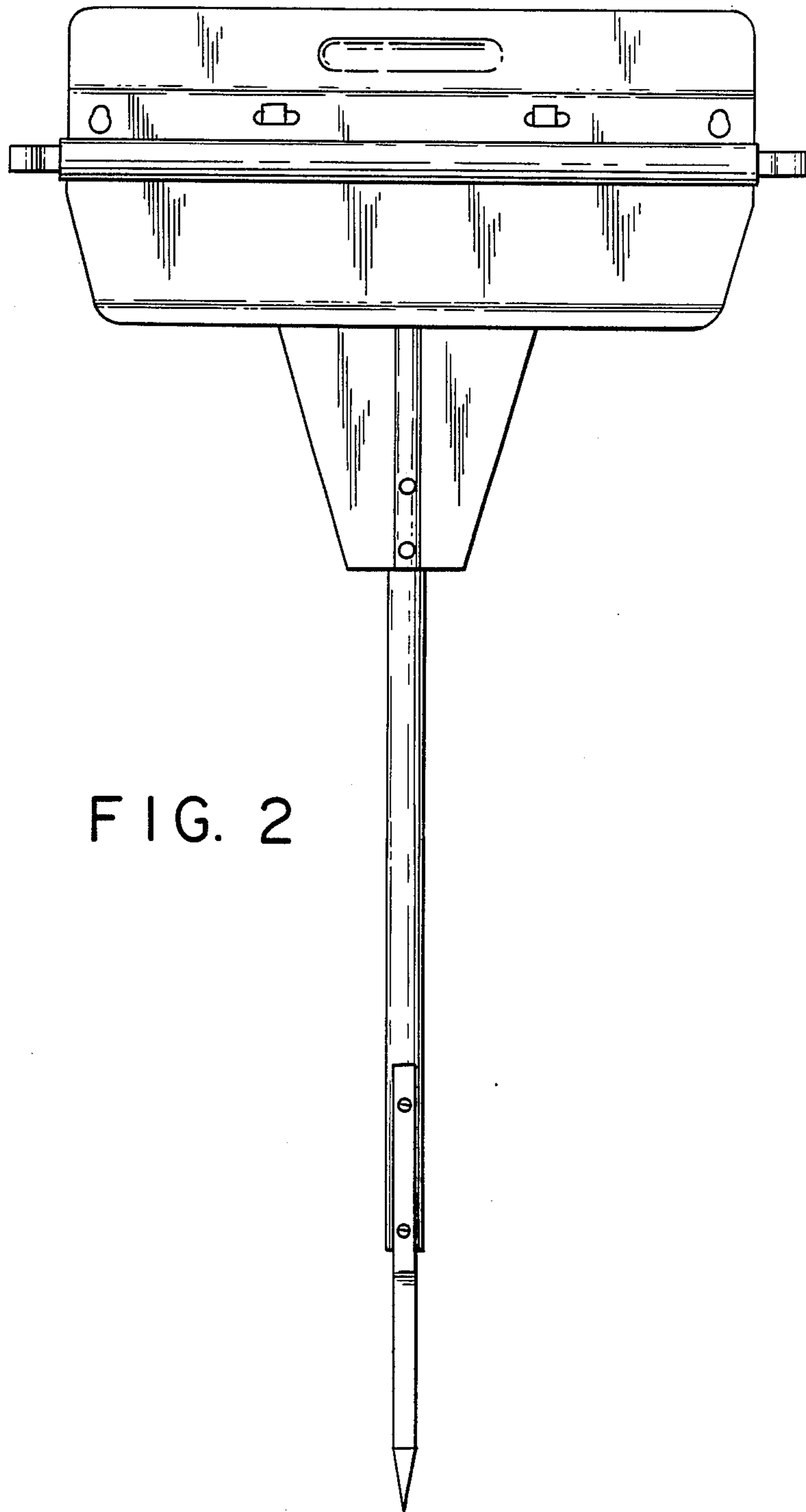


FIG. 2

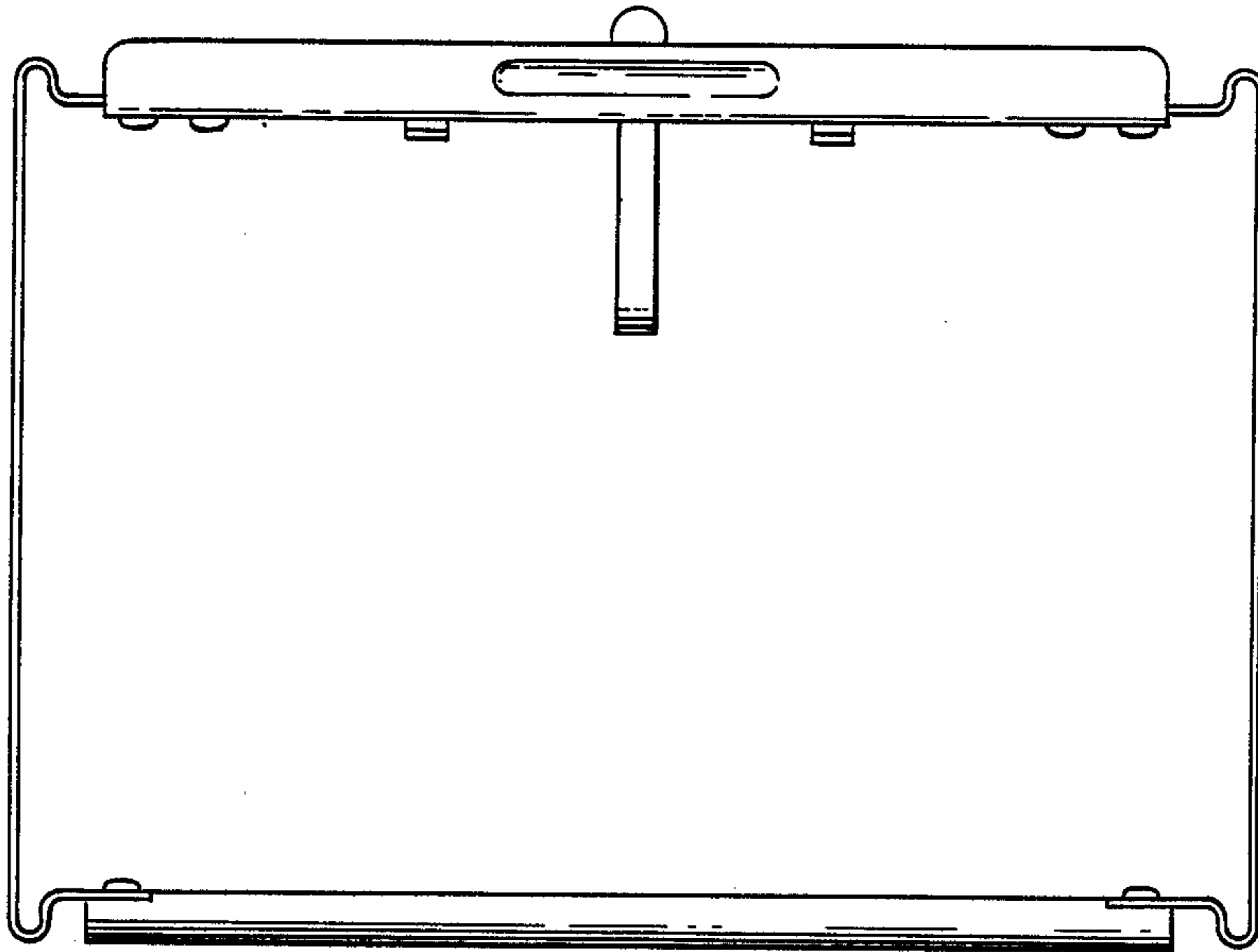


FIG. 3

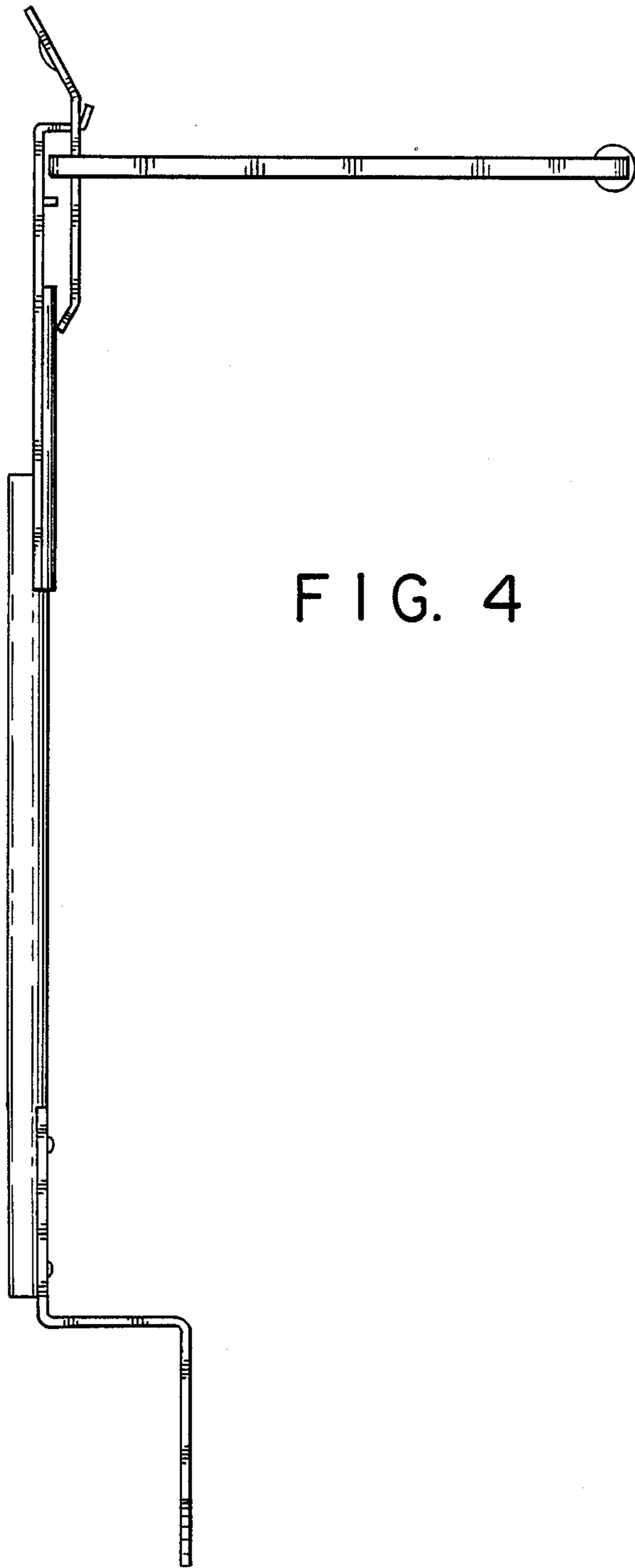


FIG. 4

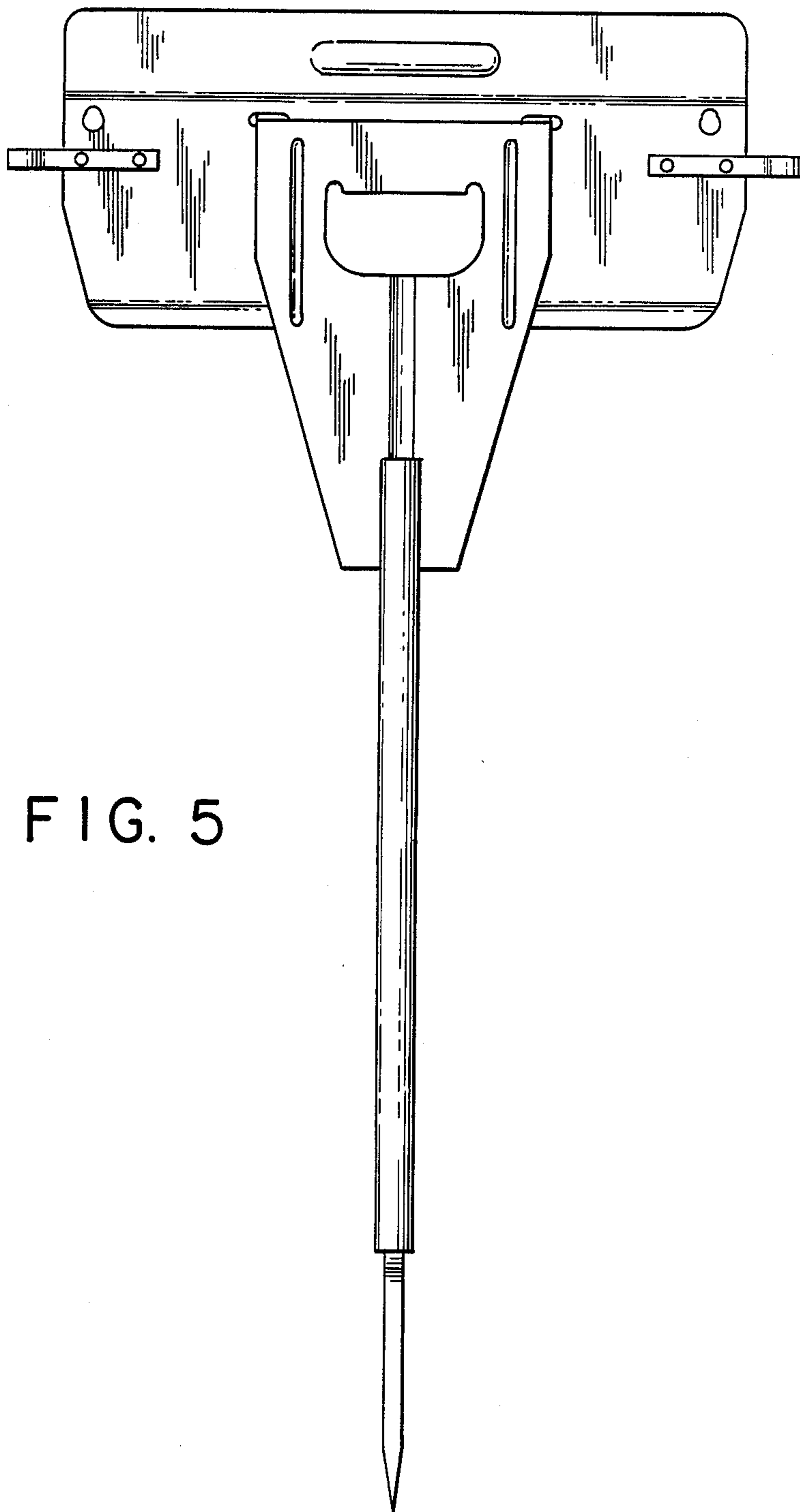


FIG. 5

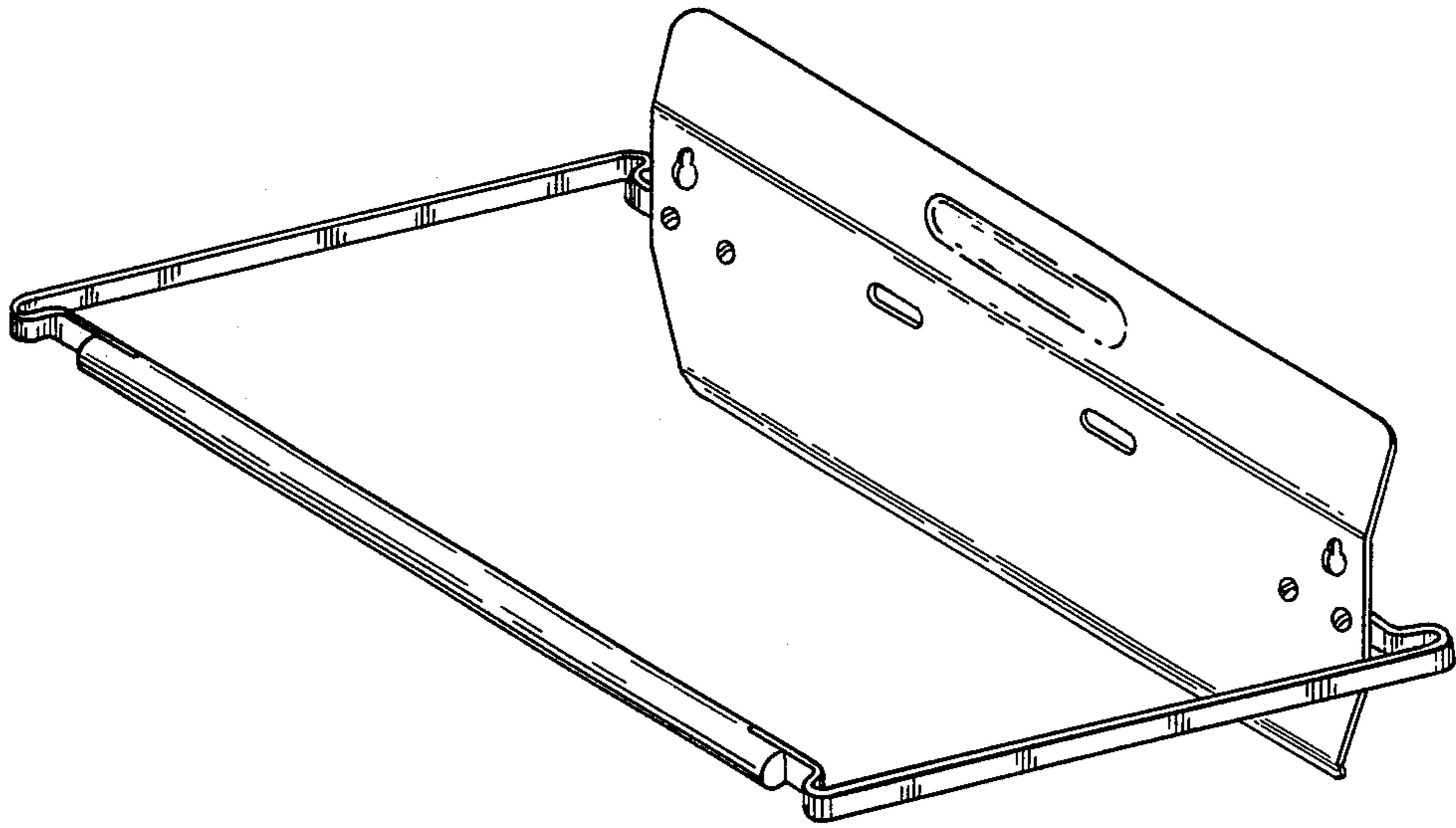


FIG. 6