

[54] PORTABLE BLOWER

[75] Inventors: Katsumi Kiyooka, Warabi; Akira Gamoh, Kodaira; Hideko Inomata, Higashiyamato; Keiko Iramina, Tachikawa, all of Japan

[73] Assignee: Komatsu Zenoah Co., Tokyo, Japan

[\*\*] Term: 14 Years

[21] Appl. No.: 819,356

[22] Filed: Jan. 16, 1986

[30] Foreign Application Priority Data

- Jul. 16, 1985 [JP] Japan ..... 60-030057
- Aug. 12, 1985 [JP] Japan ..... 60-034114
- Aug. 12, 1985 [JP] Japan ..... 60-034115
- [52] U.S. Cl. .... D32/15; D23/213
- [58] Field of Search ..... D32/15-16, D32/25, 30, 18; 239/153-154, 289, 308, 351, 355; 417/234-235; 15/412, 414, 415 R, 415 A, 405-409, 330, 327 C, 327 R, 344

[56] References Cited

U.S. PATENT DOCUMENTS

D. 237,796	11/1975	Wagner .....	D23/225
D. 271,715	12/1983	Kiyooka .....	D32/15
D. 279,319	6/1985	McCloskey et al. ....	D32/15
D. 285,848	9/1986	Iida et al. ....	D32/17
3,465,469	9/1969	Winter et al. ....	239/351
4,288,886	9/1981	Siegler .....	15/330
4,461,055	7/1984	Zerrer et al. ....	15/344

Primary Examiner—Wallace R. Burke  
Assistant Examiner—Ruth Takemoto  
Attorney, Agent, or Firm—Foley & Lardner, Schwartz, Jeffery, Schwaab, Mack, Blumenthal & Evans

[57] CLAIM

The ornamental design for a portable blower, as shown and described.

DESCRIPTION

FIG. 1 is a left side elevational view of a portable blower, showing our new design; FIG. 2 is a right side elevational view thereof; FIG. 3 is a top plan view thereof; FIG. 4 is a bottom plan view thereof; FIG. 5 is a rear elevational view thereof; and FIG. 6 is a front elevational view thereof.

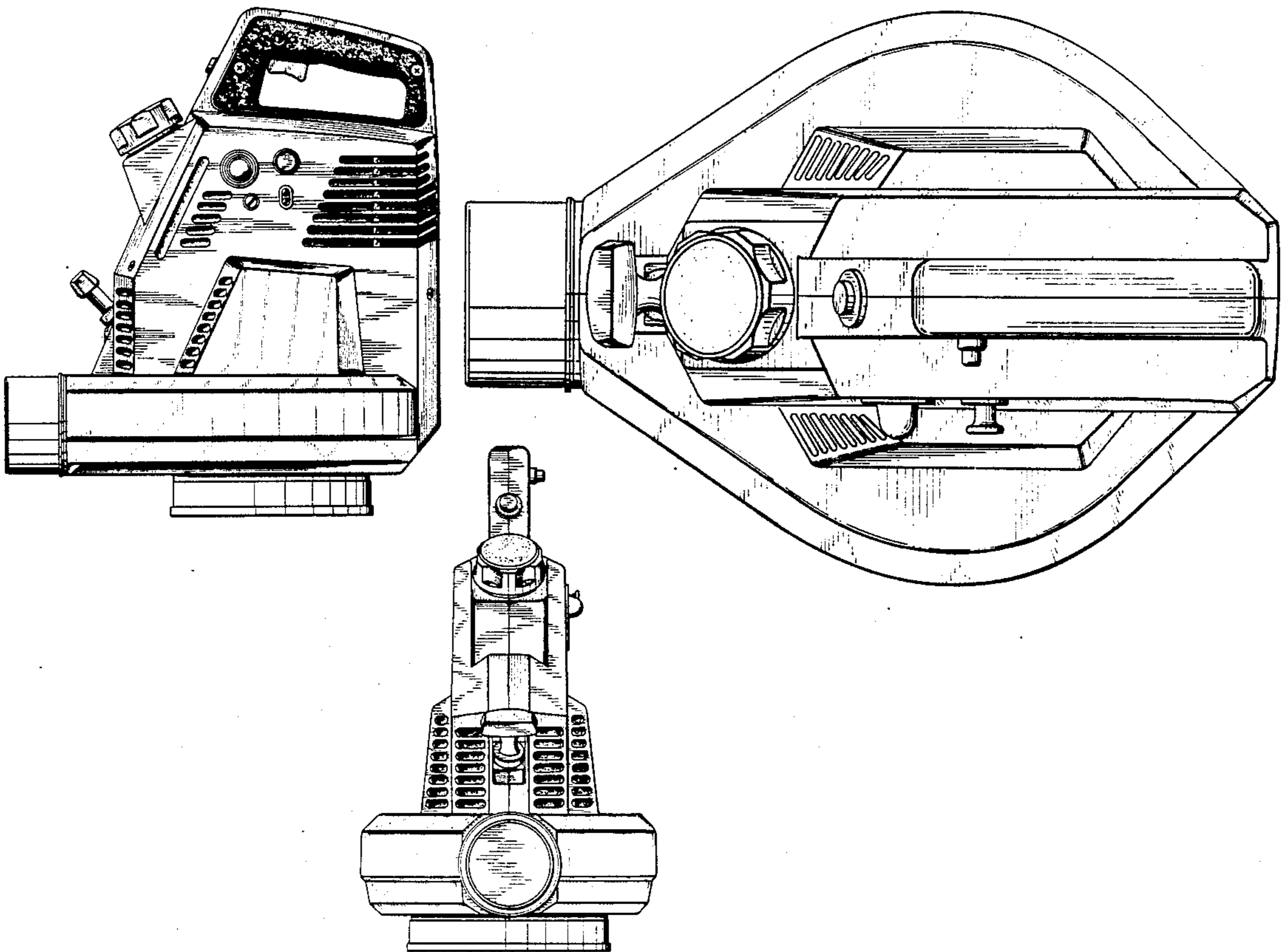


FIG. 1

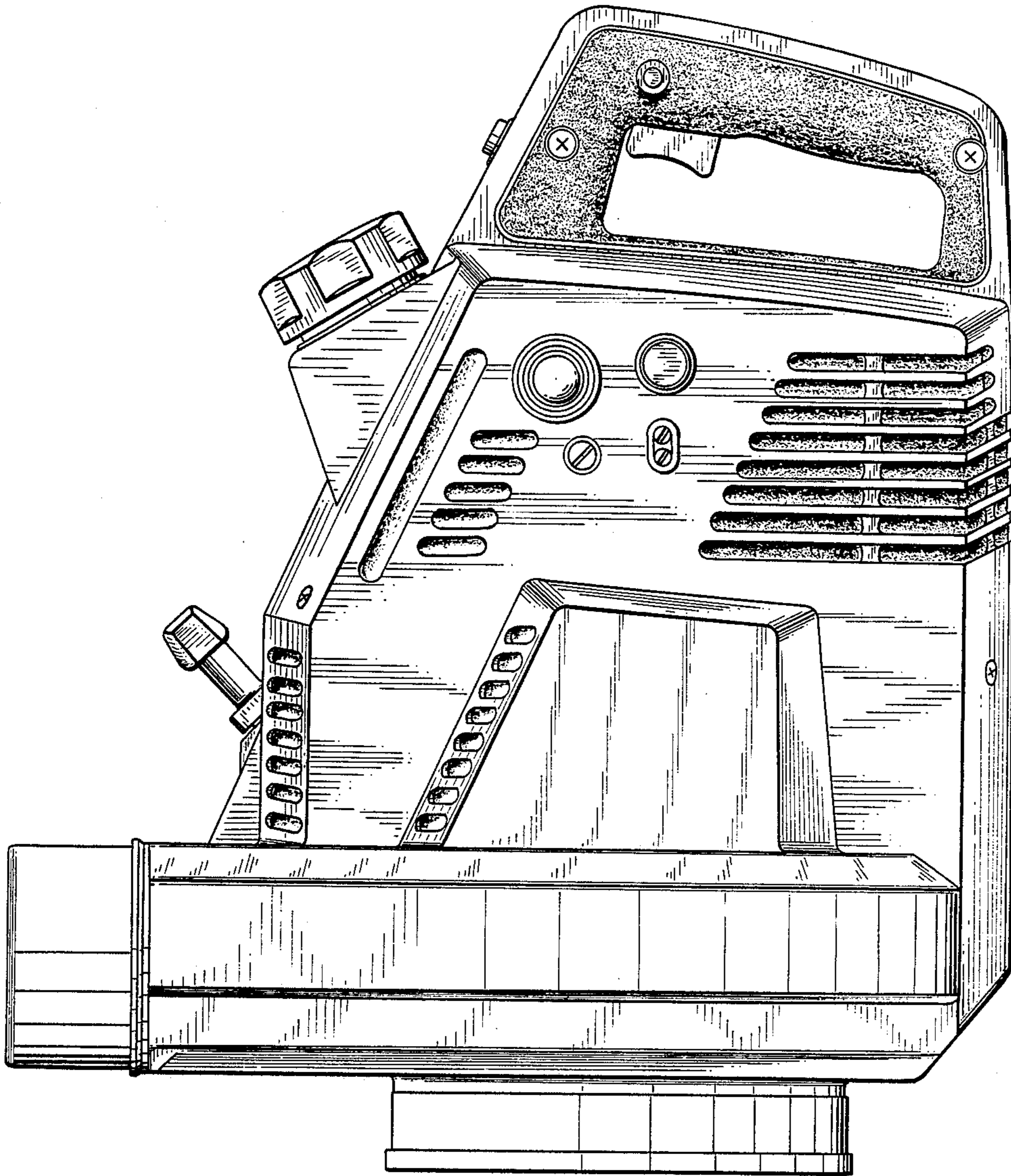


FIG. 2

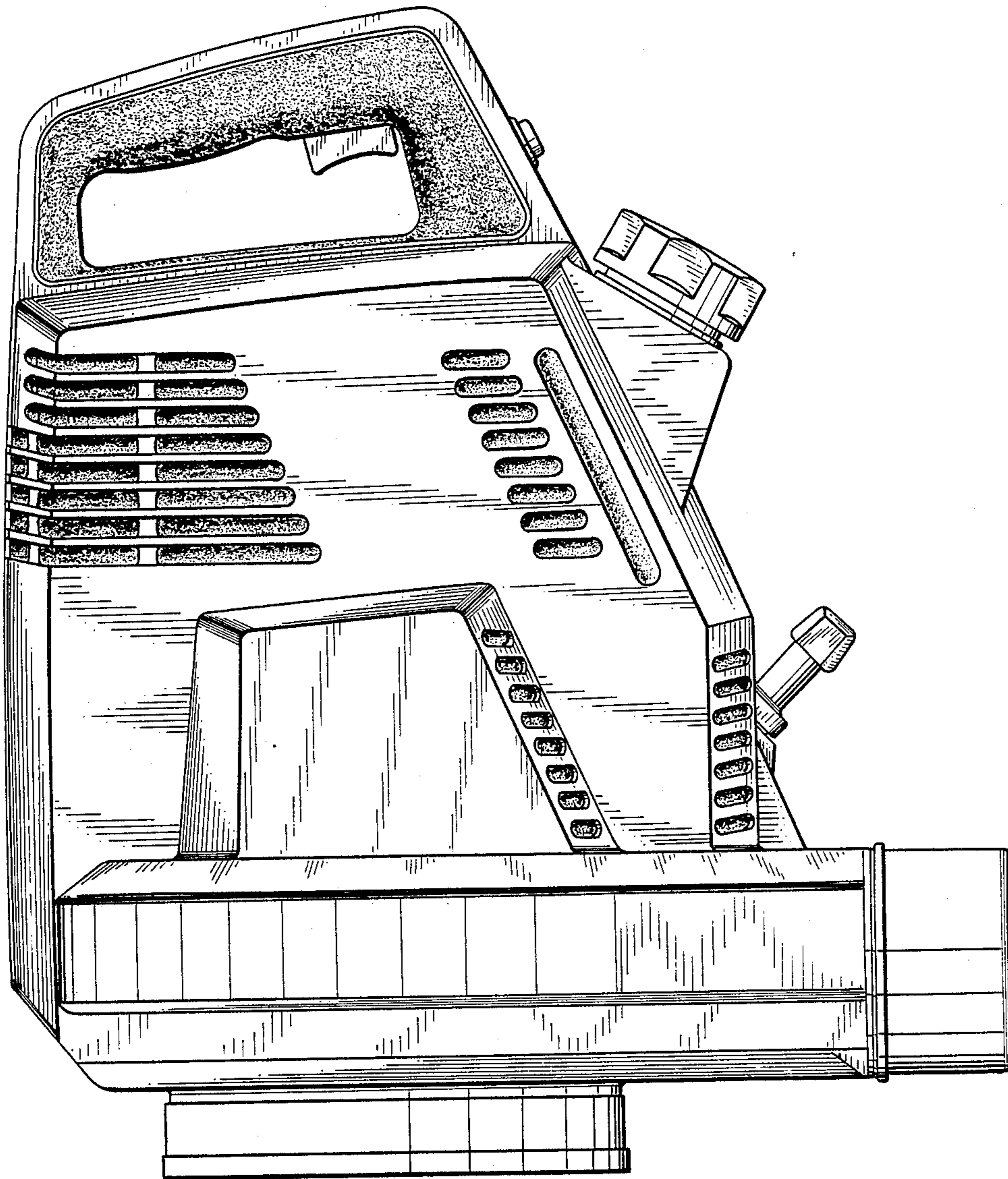


FIG. 3

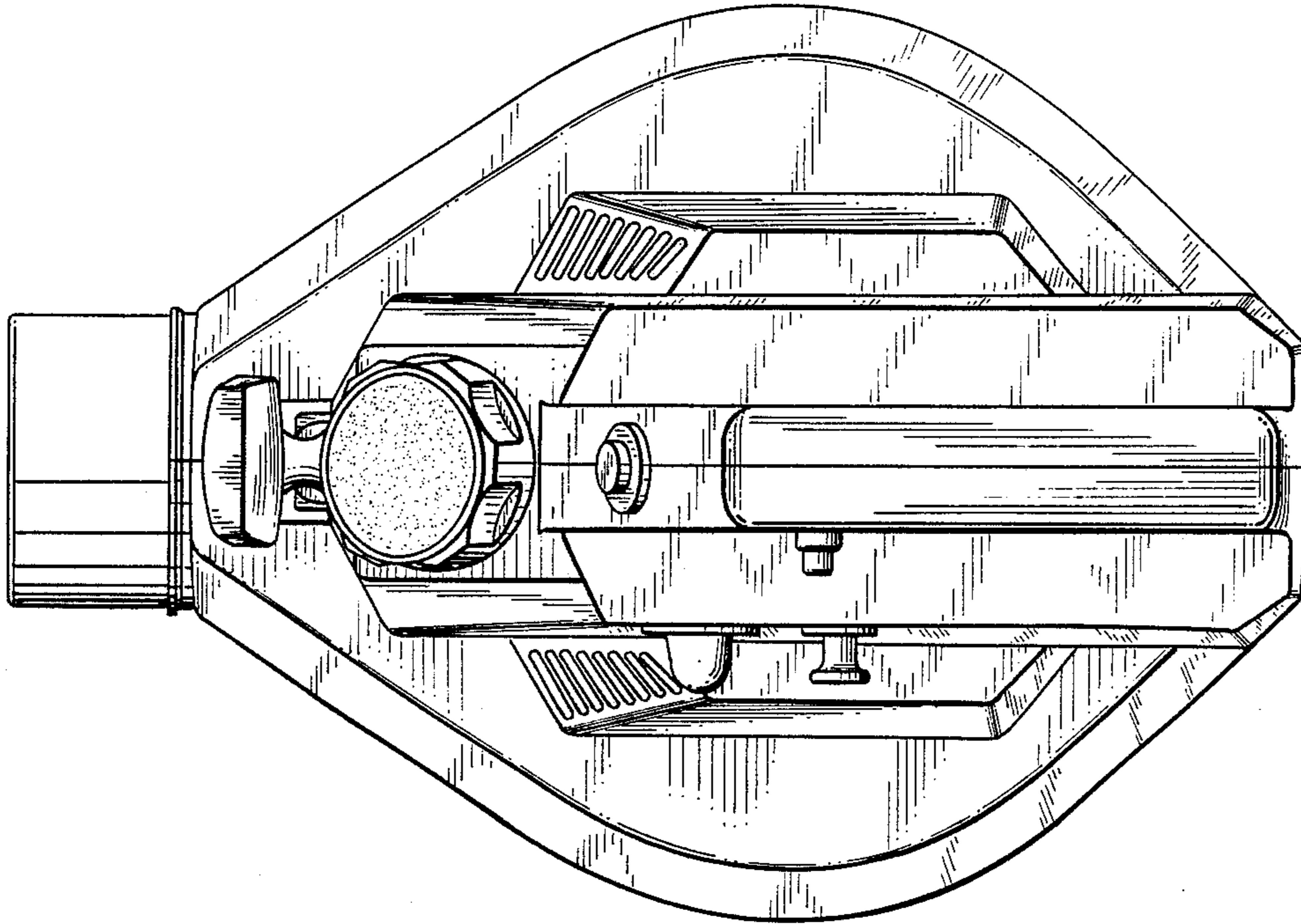
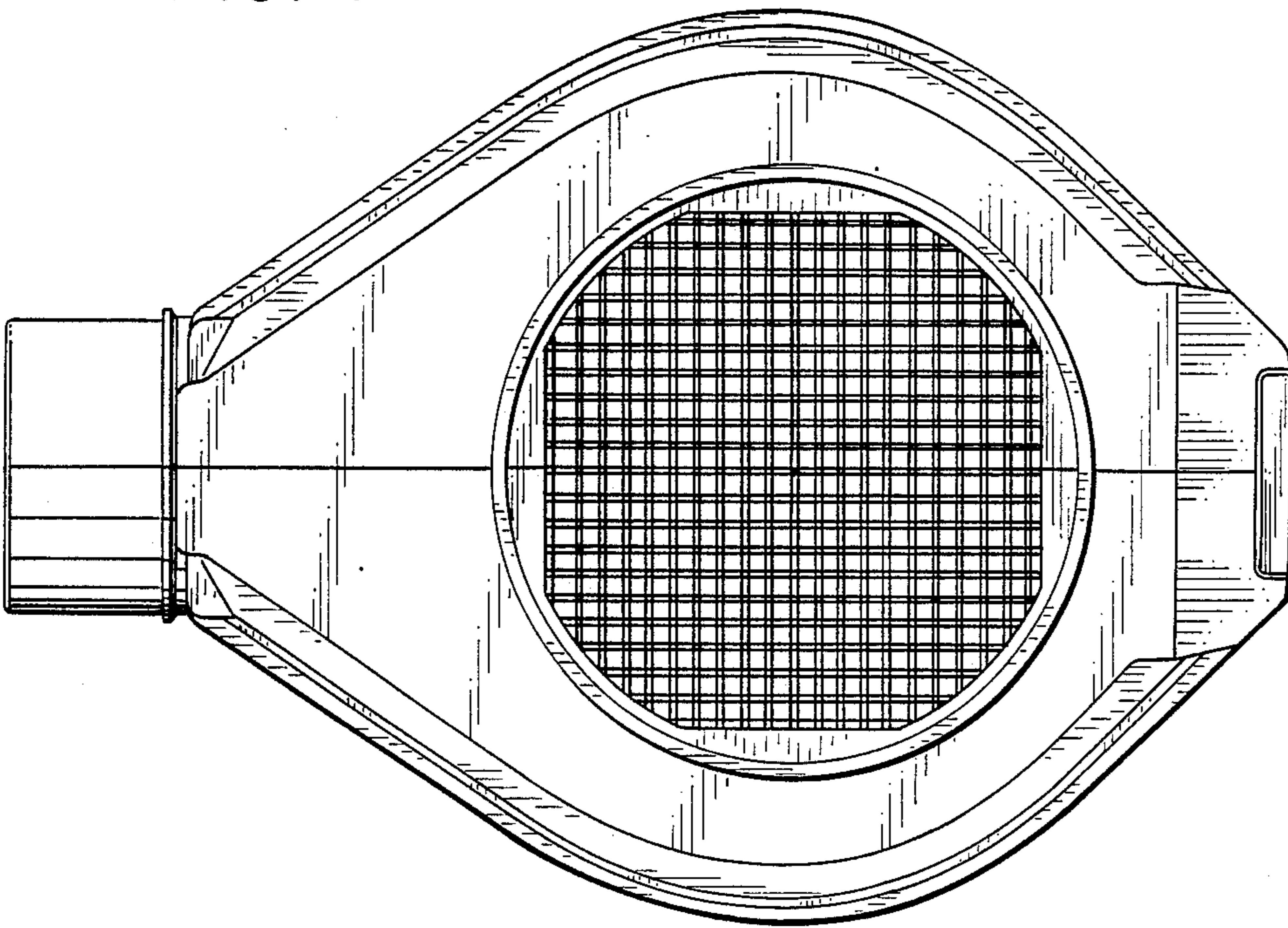


FIG. 4



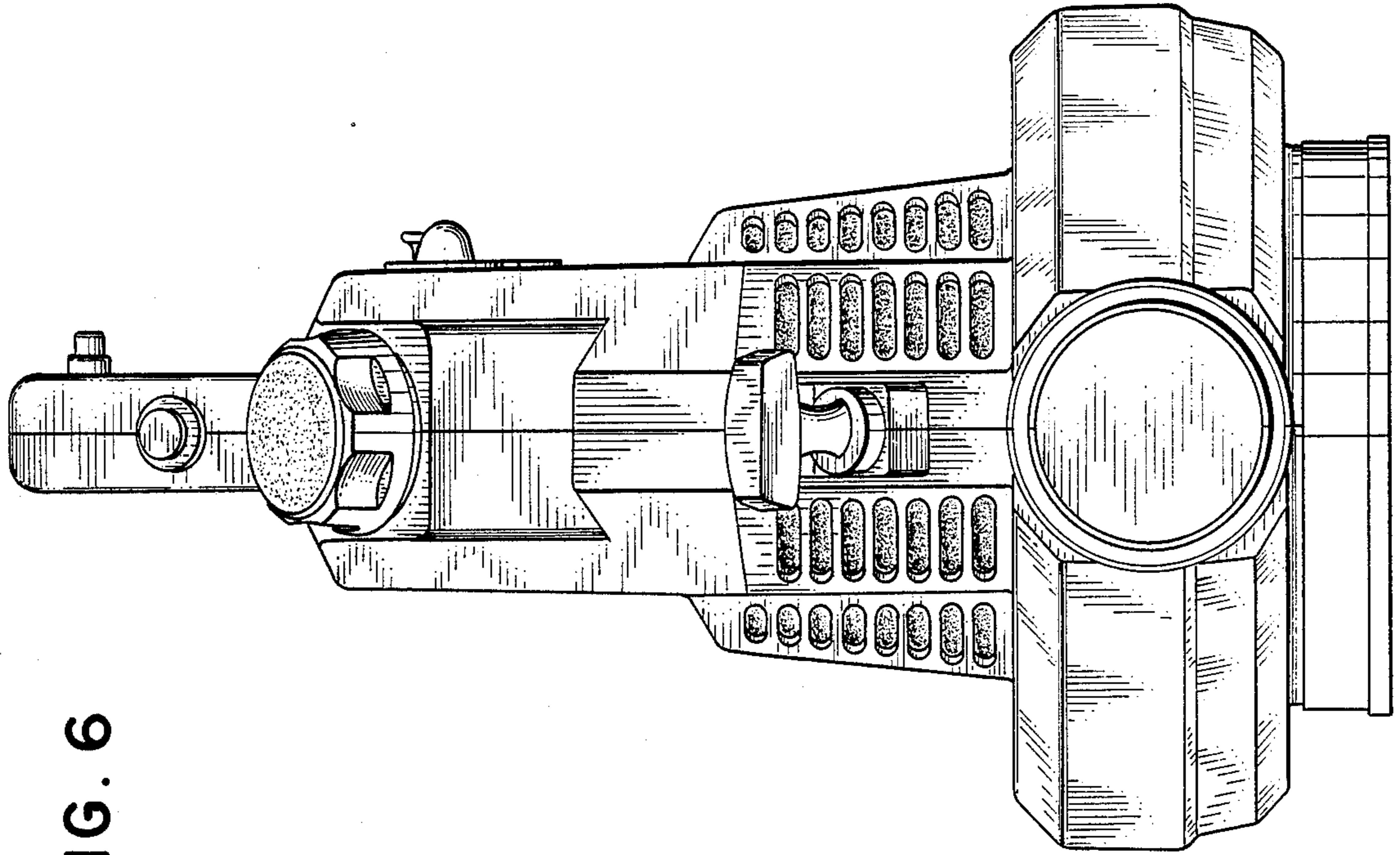


FIG. 6

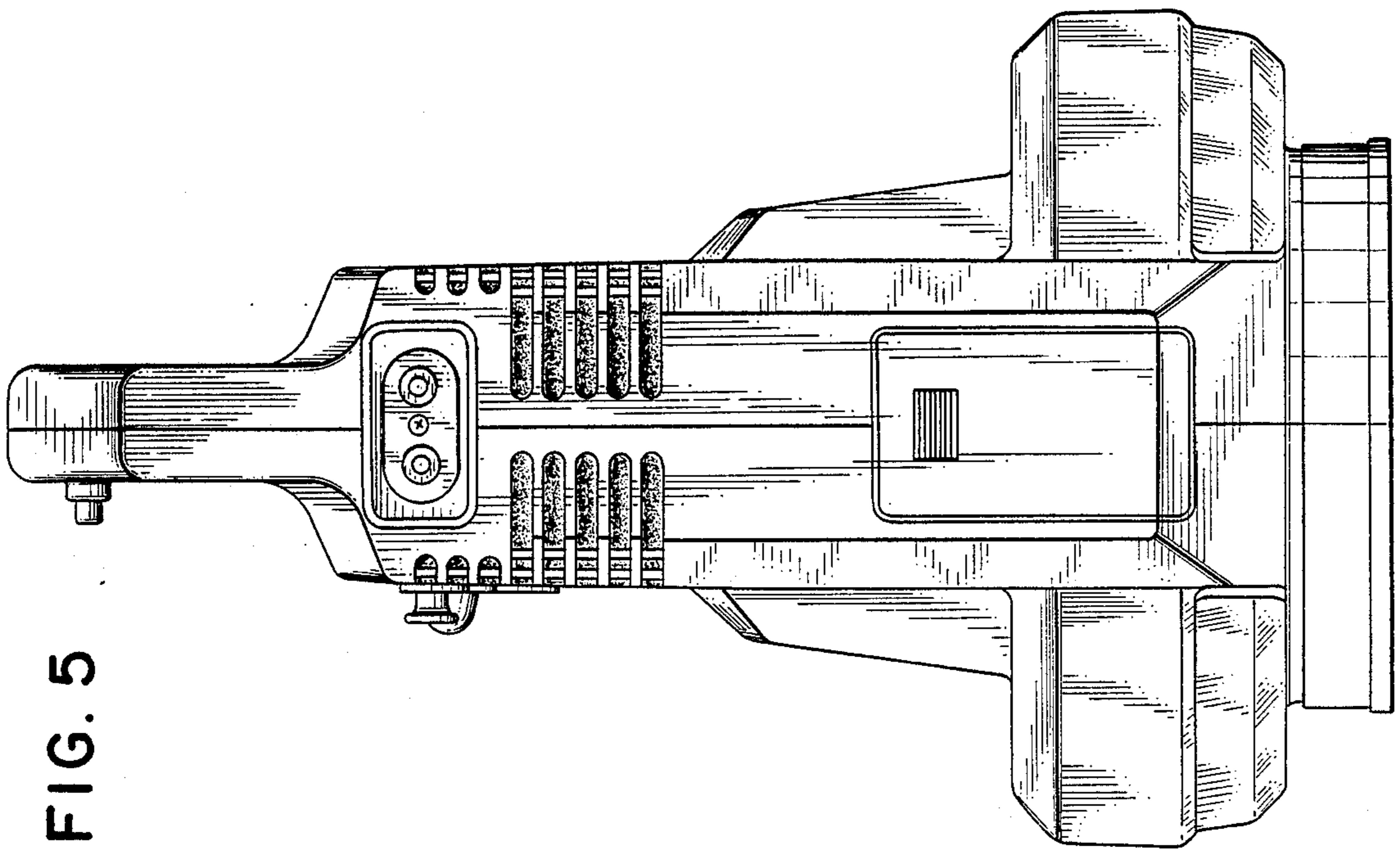


FIG. 5