

[54] BIRD FEEDER

3,094,973 6/1963 Devall 119/52 R

[76] Inventor: H. James Waltemeyer, 4 Hillside Dr., Jacobus, Pa. 17407

Primary Examiner—James R. Largen
Attorney, Agent, or Firm—C. Hercus Just

[**] Term: 14 Years

[57] CLAIM

[21] Appl. No.: 80,553

The ornamental design for a bird feeder, as shown and described.

[22] Filed: Jul. 30, 1987

[52] U.S. Cl. D30/124; 119/51 R

[58] Field of Search D30/121-133;
119/18, 51 R, 52 R

DESCRIPTION

FIG. 1 is a front elevational view of a bird feeder showing my new design, the rear being a mirror image of the front shown;

FIG. 2 is a top plan view thereof.

FIG. 3 is a bottom plan view thereof.

FIG. 4 is a right end elevational view thereof, the left end being the same as the right end shown except for the omission of the hinges;

FIG. 5 is a cross-sectional view taken on line 5—5 of FIG. 4.

It is to be understood that the wire mesh is continuous through out the area indicated in FIGS. 3 and 5. The support cord is broken away in FIG. 4 for convenience of illustration.

[56] References Cited

U.S. PATENT DOCUMENTS

D. 120,350	5/1940	Moore	D30/126
D. 134,678	12/1942	Hyde	D30/126
D. 186,605	11/1959	Malloy, Sr.	D30/126
D. 249,075	8/1978	Platt	D30/124
D. 249,285	9/1978	Podjan	D30/124
2,349,868	5/1944	Hyde	119/51 R
2,524,502	10/1950	Wilkinson	119/51 R
2,707,454	5/1955	Wilkinson	119/51 R
2,918,901	12/1959	Poulsen	119/51 R

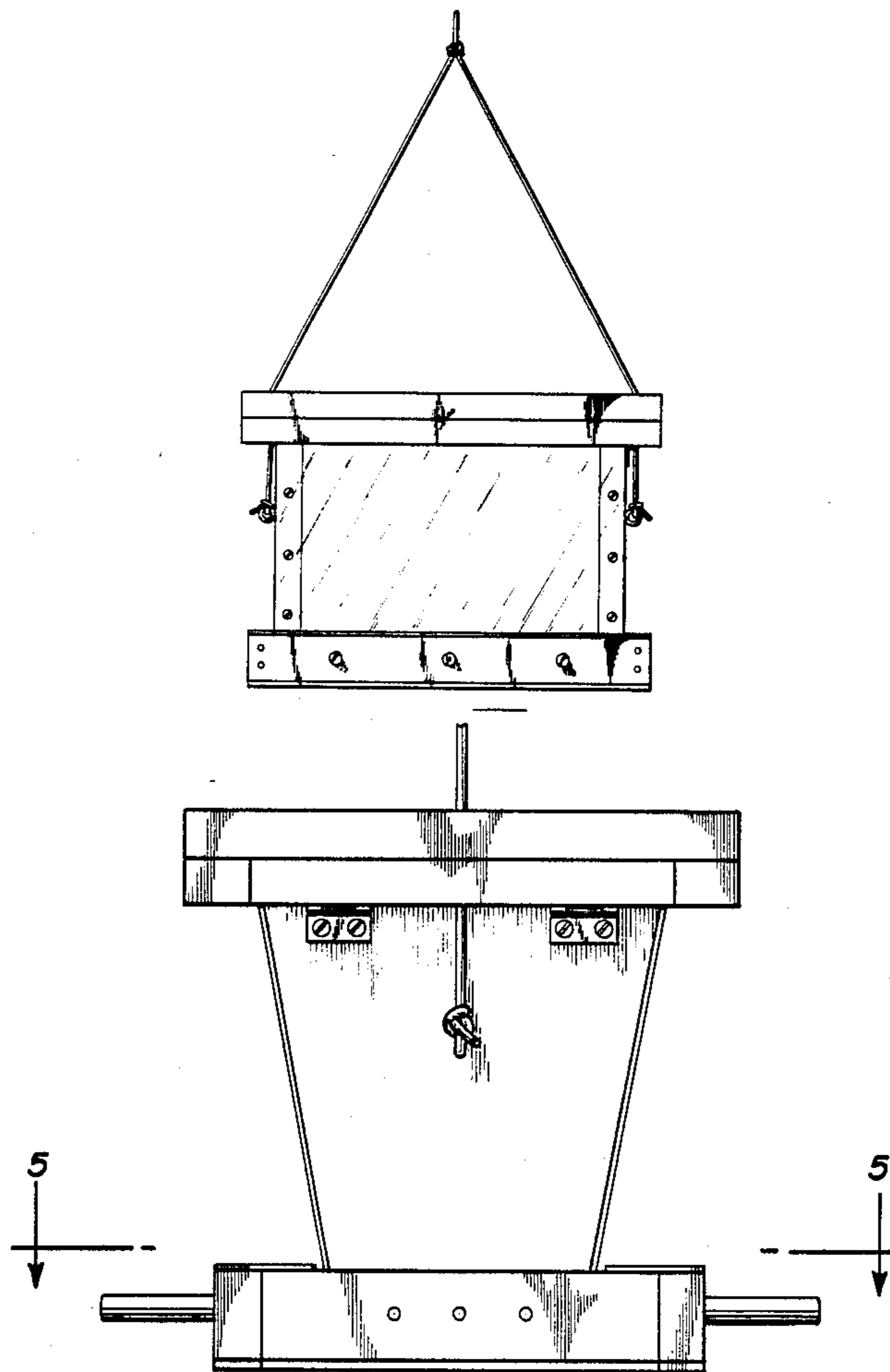


Fig. 1

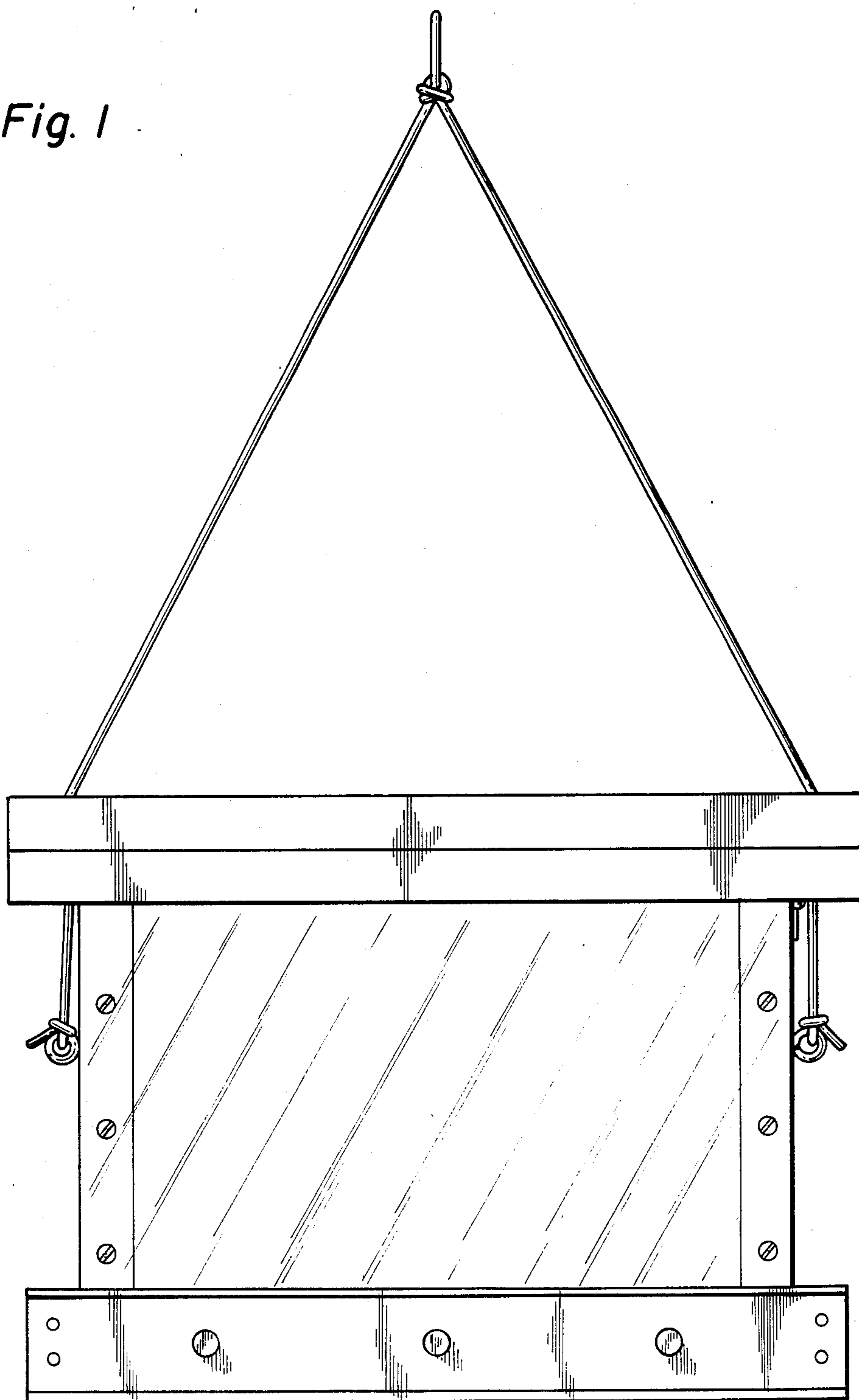


Fig. 2

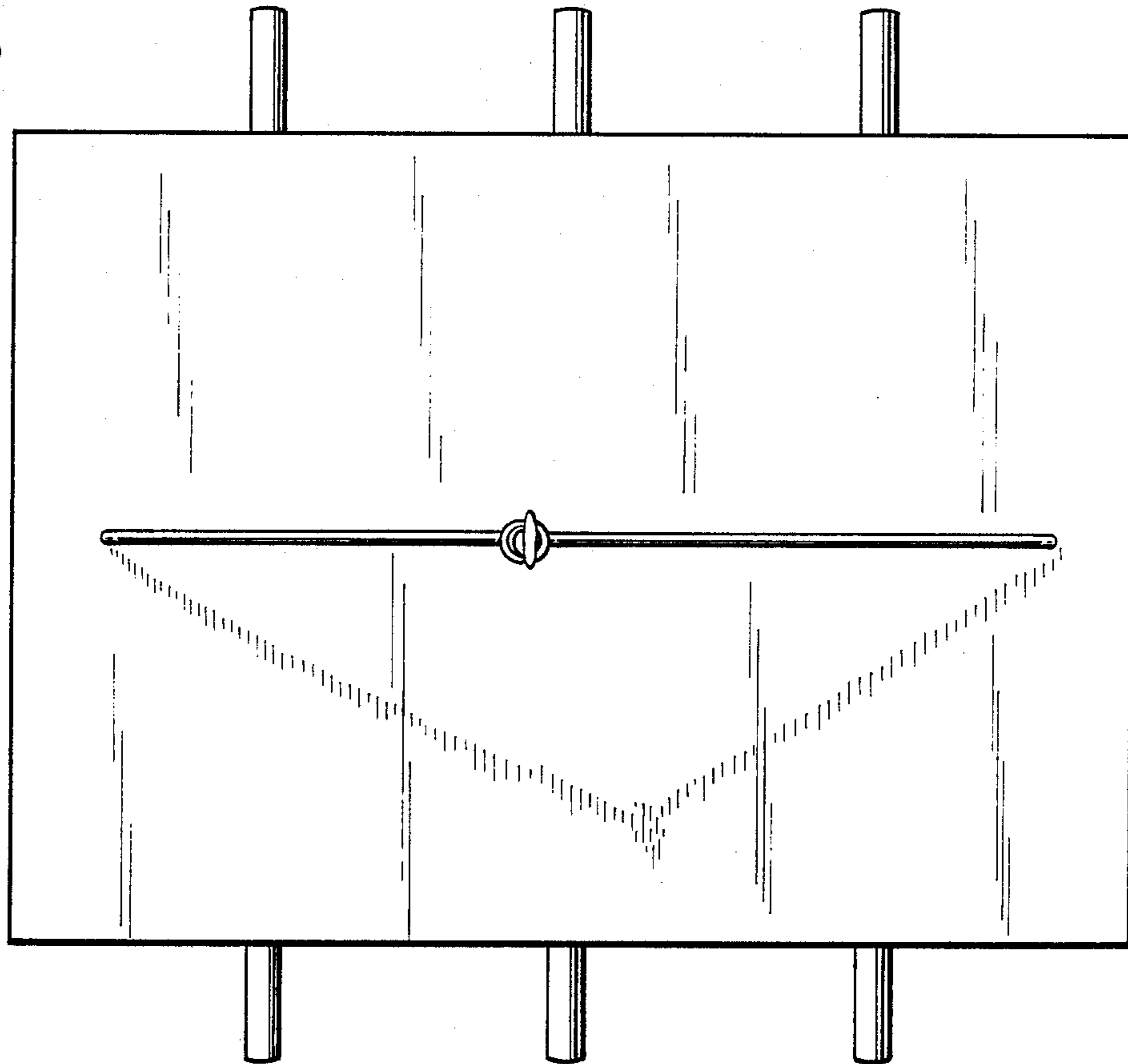


Fig. 3

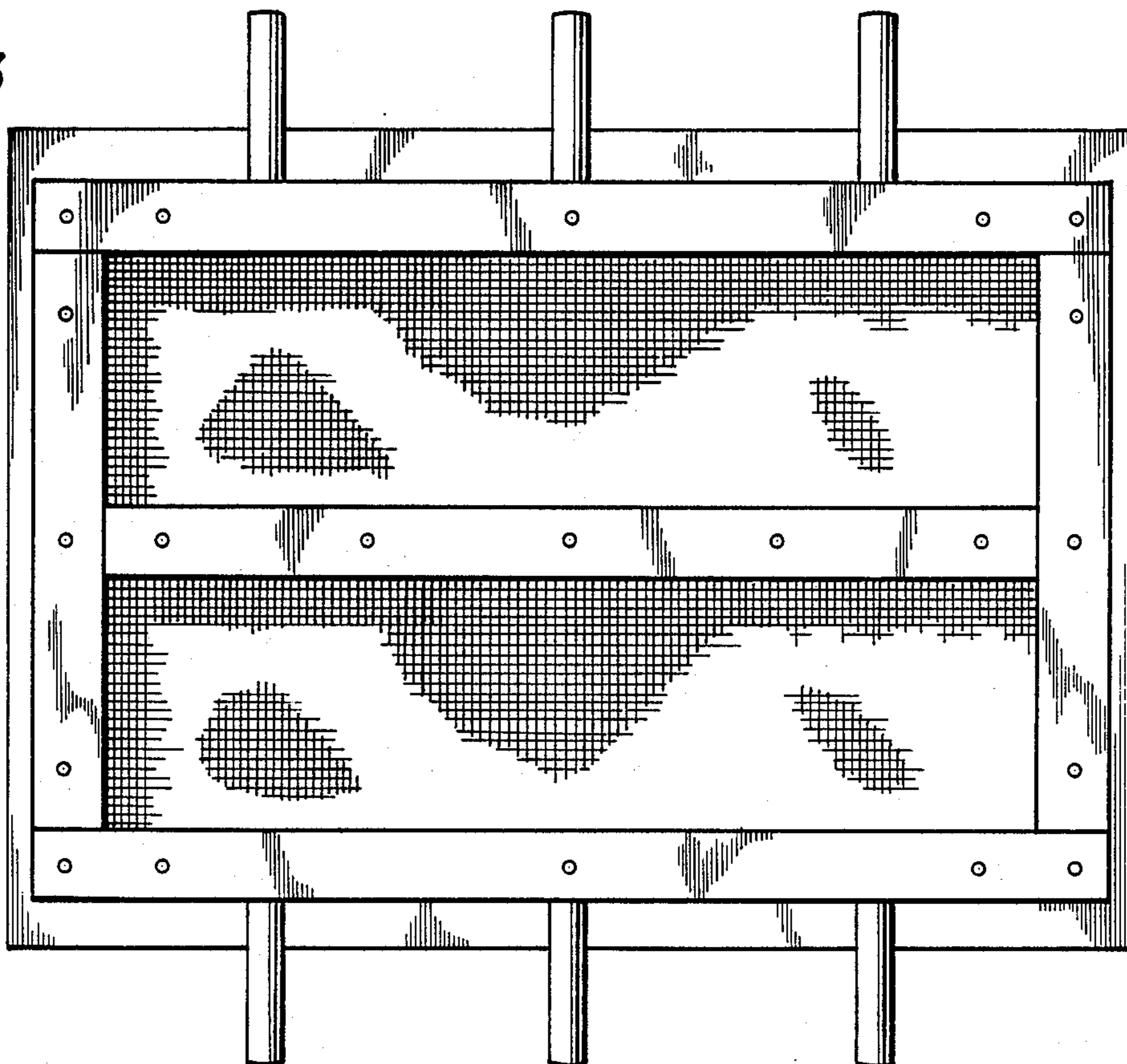


Fig. 4

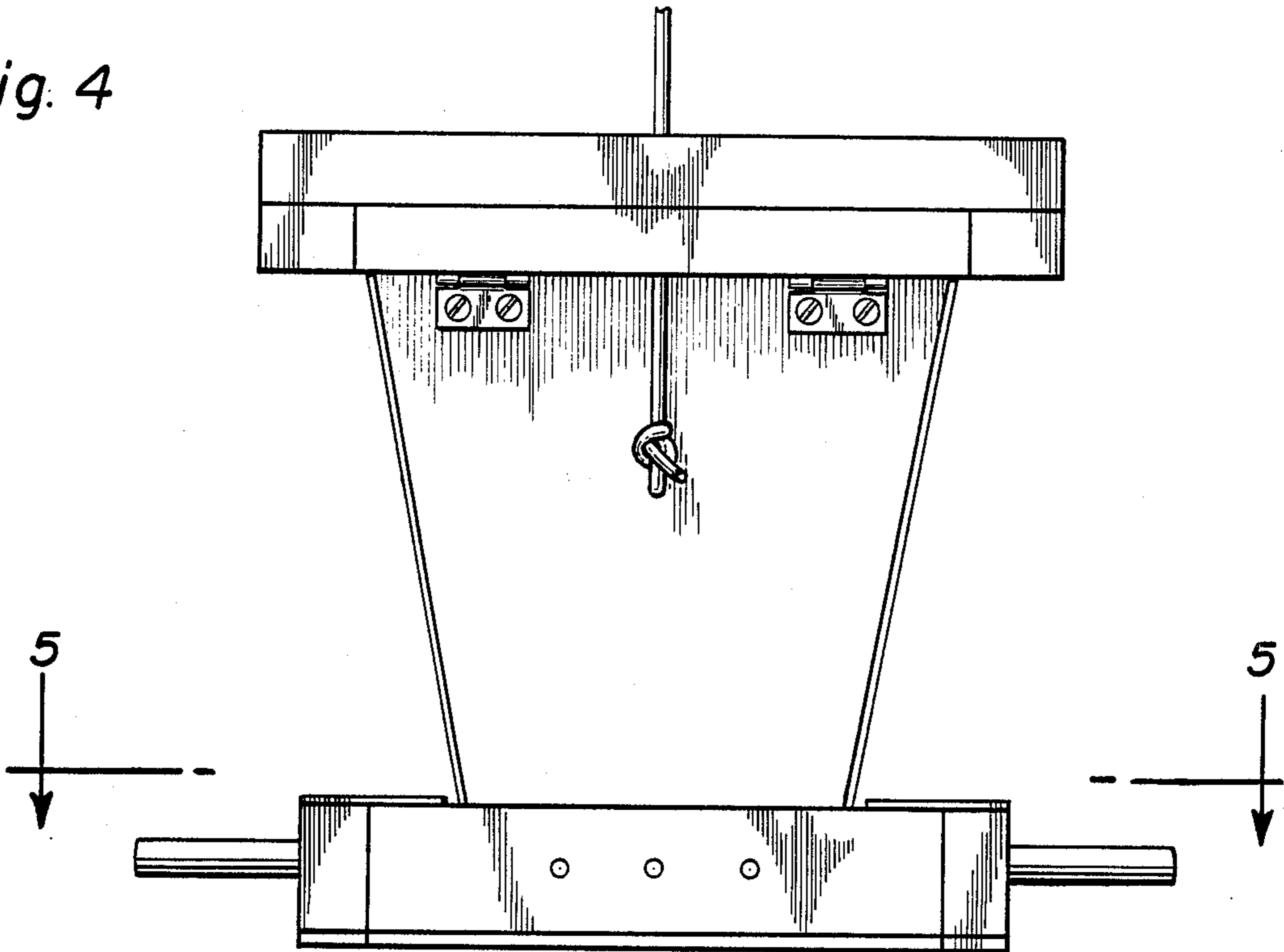


Fig. 5

