

[54] **NAIL DRYER**

[75] **Inventor: Fu K. Wong, Kowloon, Hong Kong**

[73] **Assignee: Motor Electric Manufacturing Co., Ltd., Kowloon, Hong Kong**

[**] **Term: 14 Years**

[21] **Appl. No.: 858,227**

[22] **Filed: Apr. 28, 1986**

[30] **Foreign Application Priority Data**

Oct. 29, 1985 [GB] United Kingdom 1030113
[52] **U.S. Cl.** D28/58; D28/54.1
[58] **Field of Search** D28/9-18,
D28/73, 54.1, 58, 61; 34/202; 132/7, 9, 73-73.6

[56]

References Cited

U.S. PATENT DOCUMENTS

D. 277,323 1/1985 Raicevic D28/58
D. 279,412 6/1985 Fung D28/58
D. 292,625 11/1987 Fung D28/73 X
3,665,867 5/1972 Carlson et al. 132/73.5
3,930,320 1/1976 Henderson D28/58 X

Primary Examiner—Louis S. Zarfes
Attorney, Agent, or Firm—Bacon & Thomas

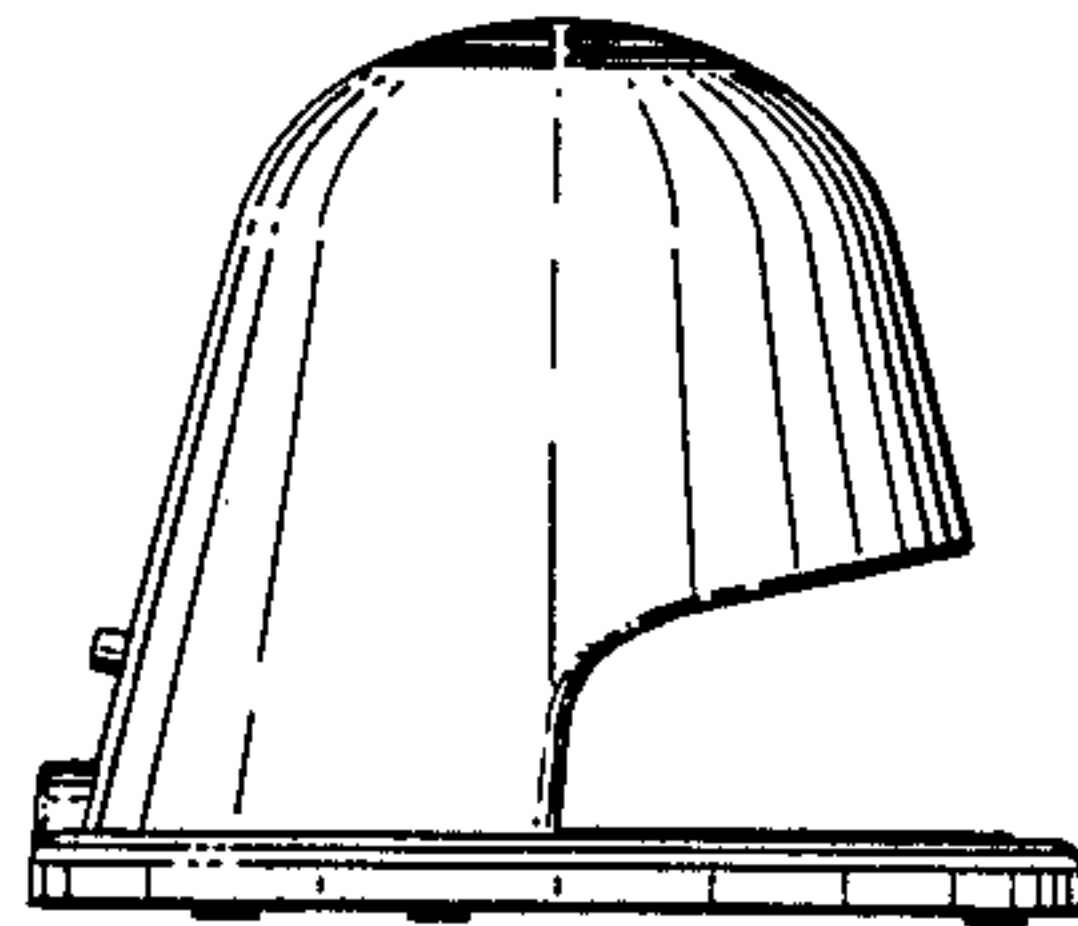
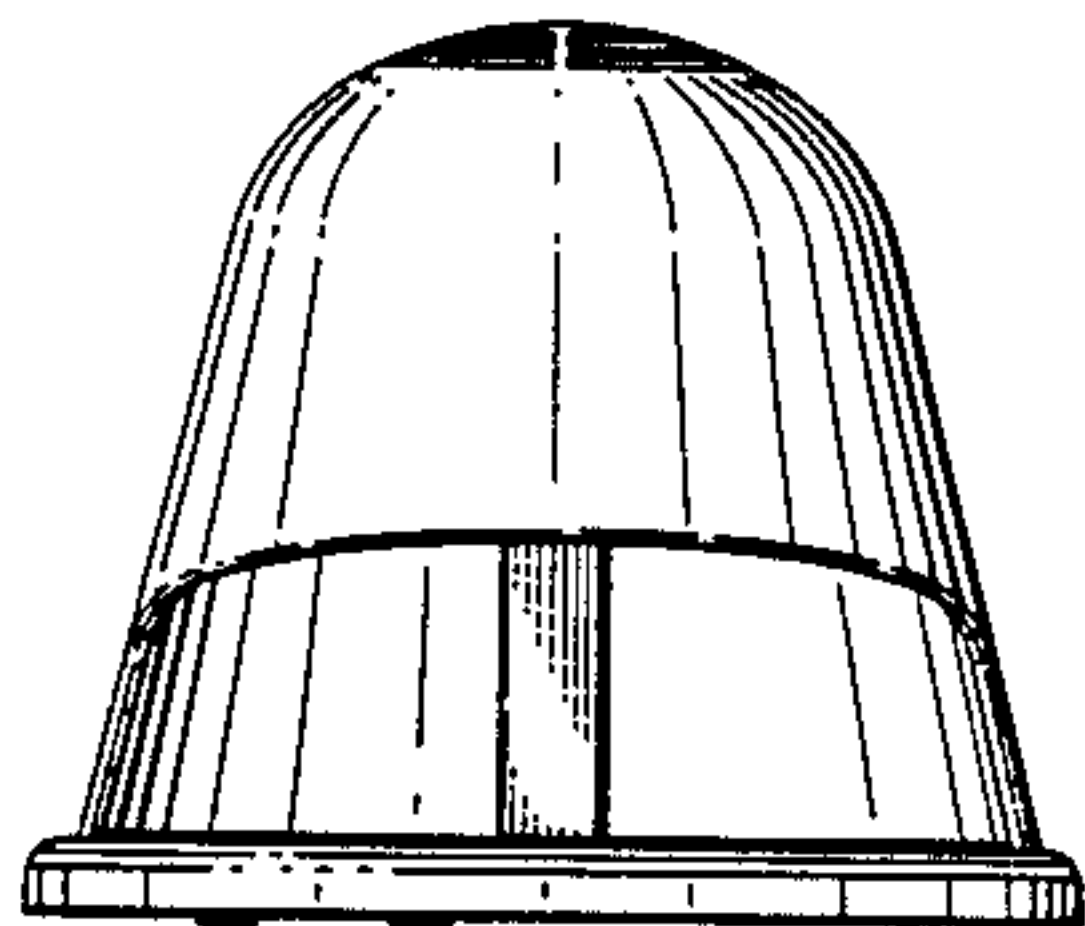
[57]

CLAIM

The ornamental design for a nail dryer, as shown and described.

DESCRIPTION

FIG. 1 is a front elevational view of a nail dryer showing my new design;
FIG. 2 is a left side elevational view, the right side being a mirror image;
FIG. 3 is a rear elevational view;
FIG. 4 is a top plan view; and,
FIG. 5 is a bottom plan view.



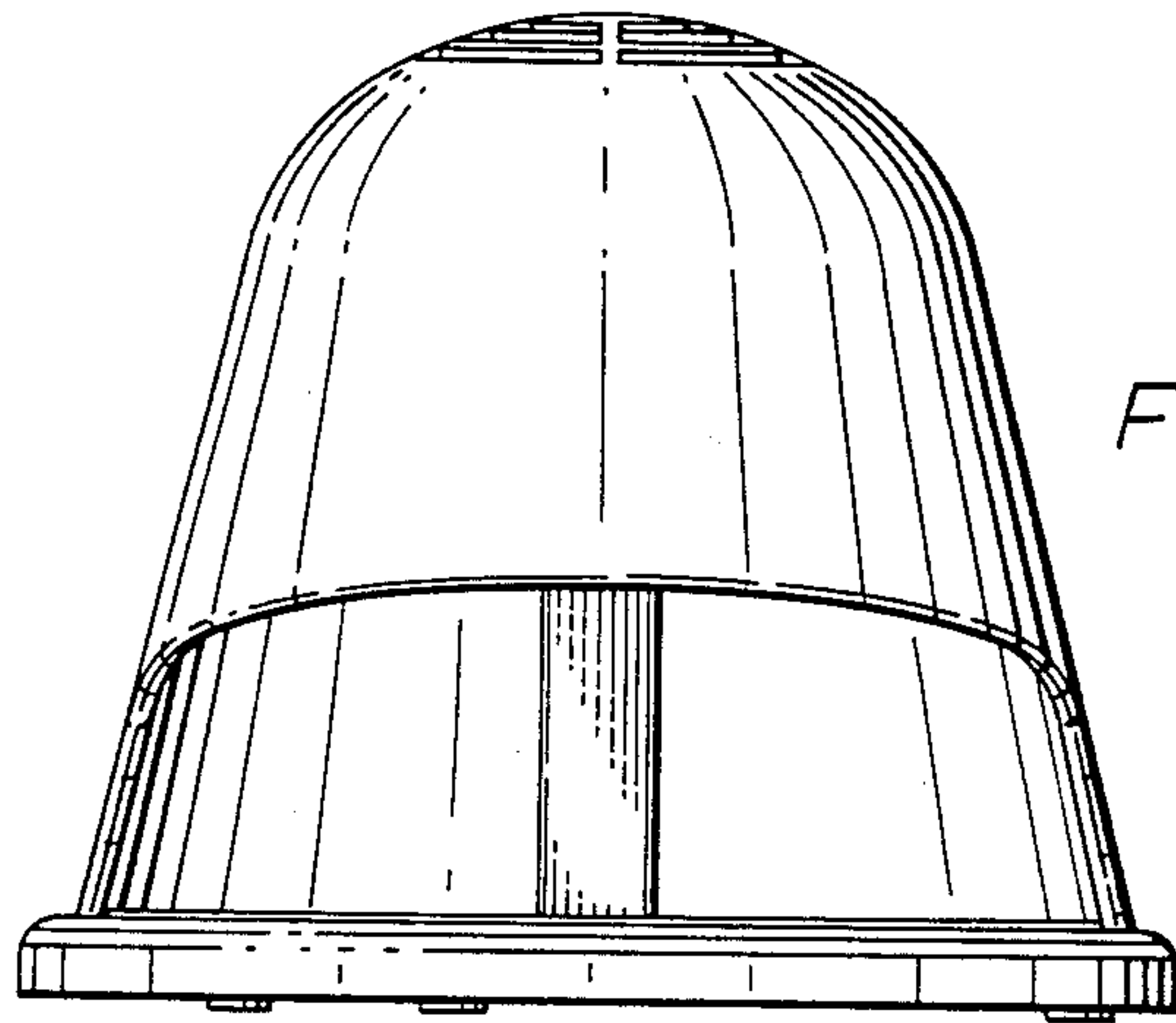


FIG. 1.

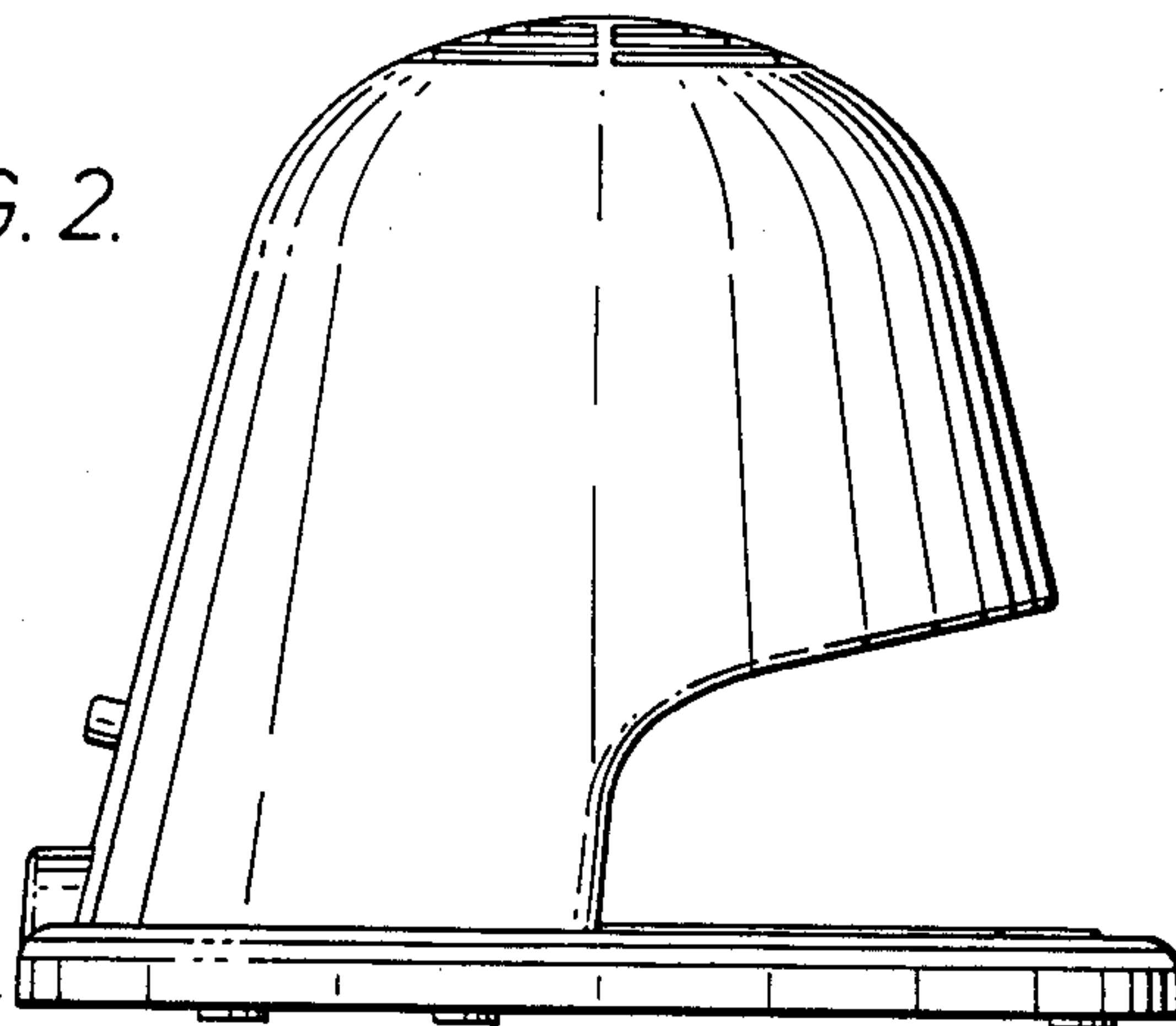


FIG. 2.

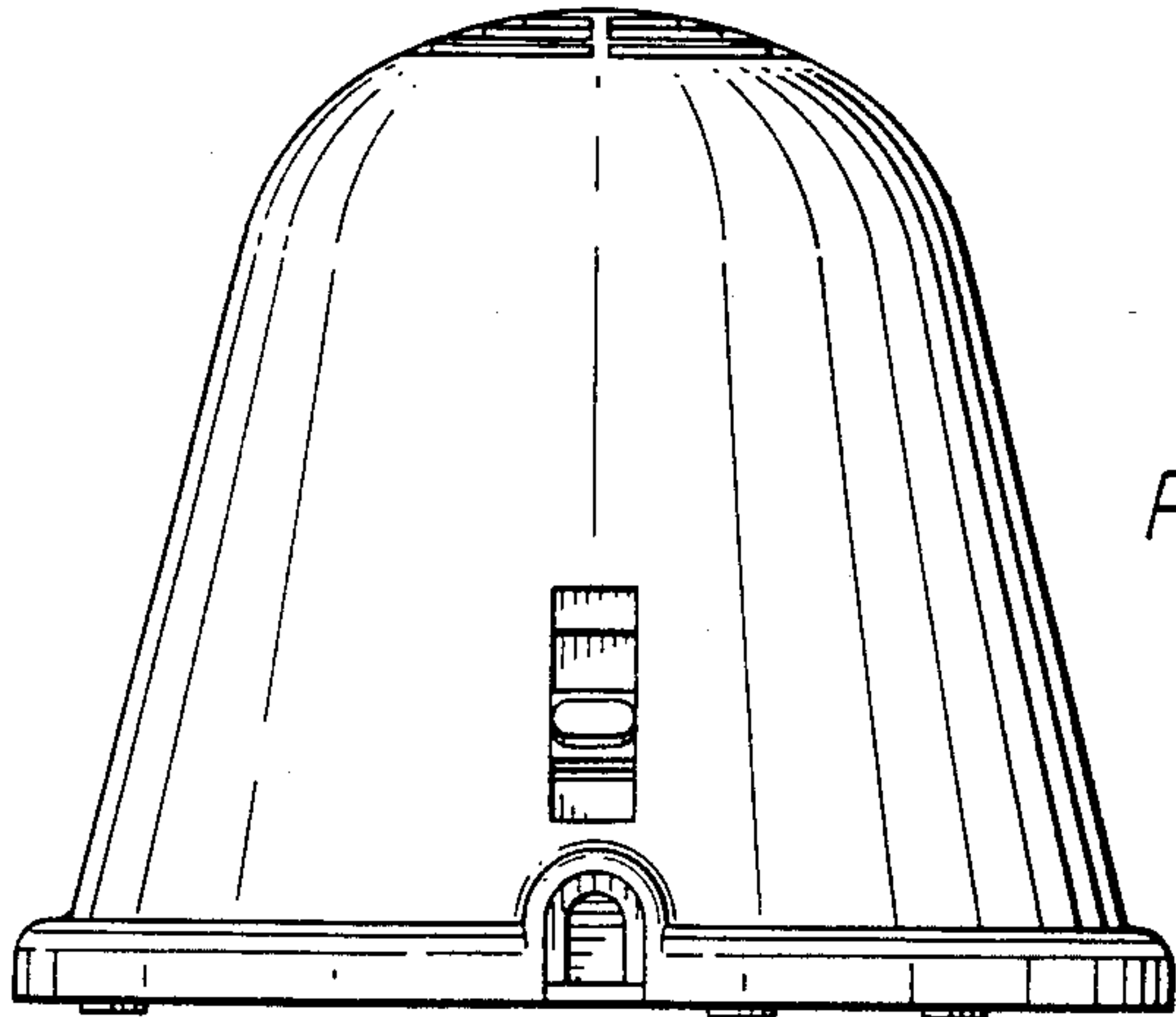


FIG. 3.

FIG. 4.

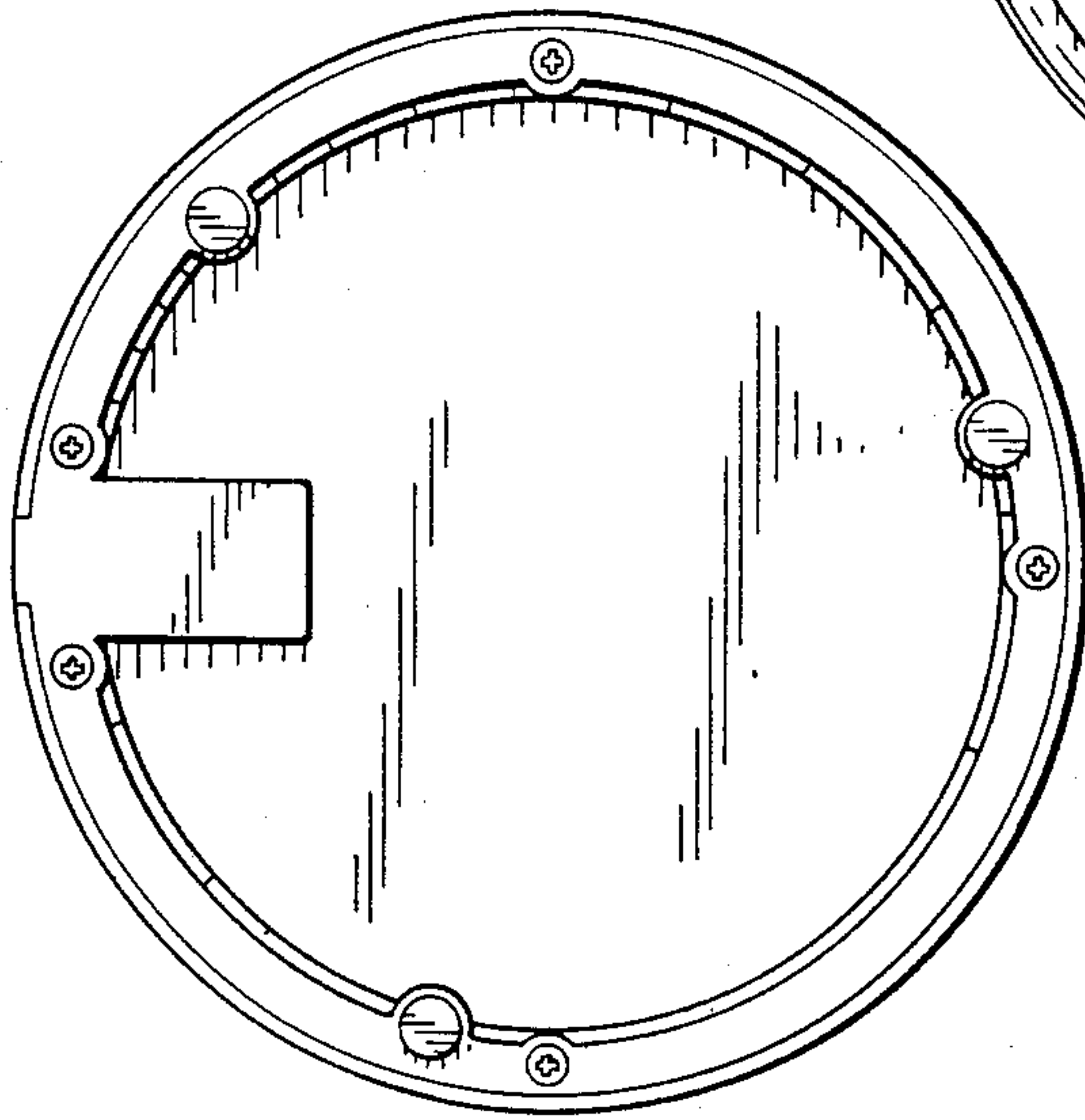
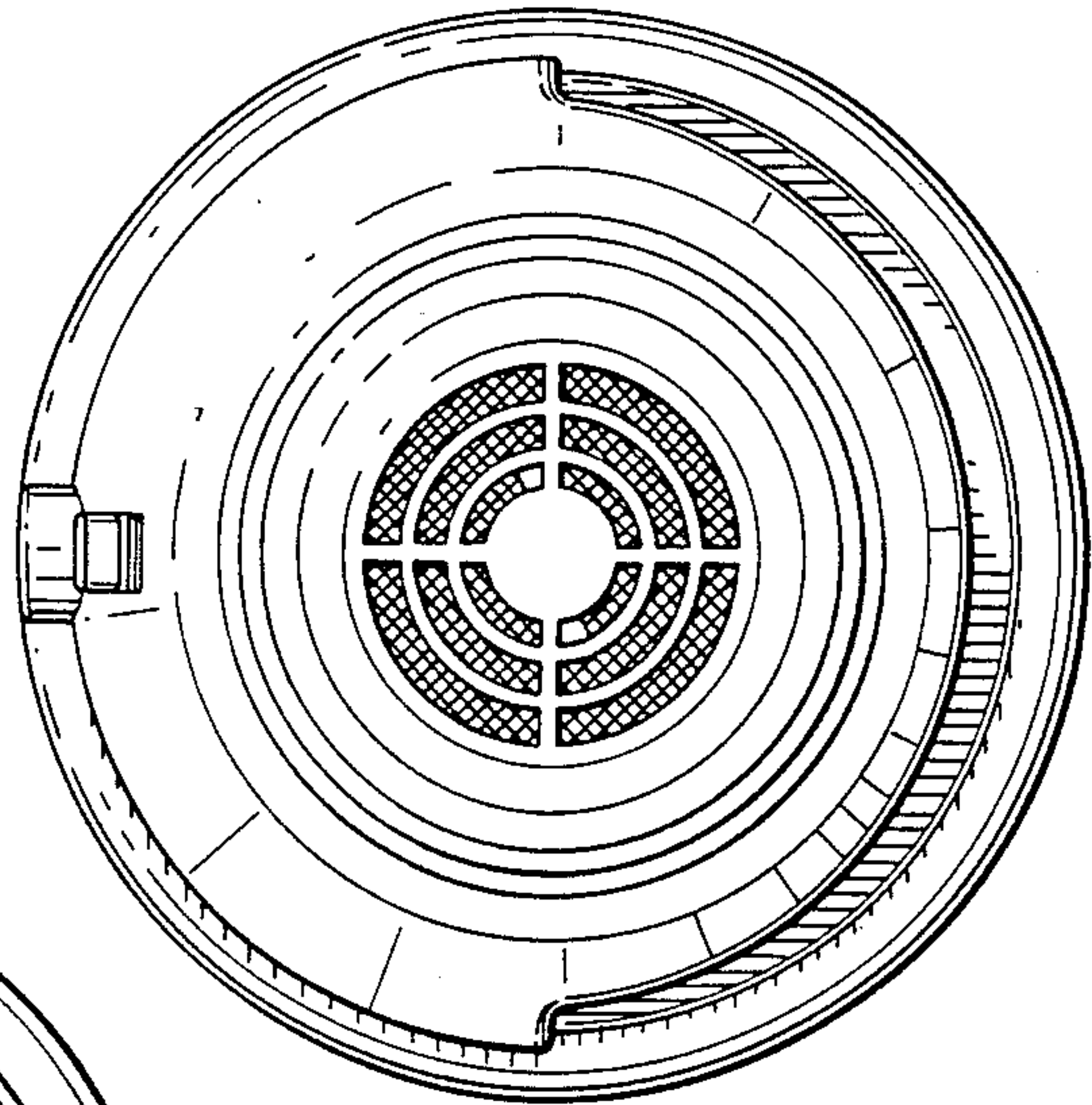


FIG. 5.