

United States Patent [19]

Robison

[11] Patent Number: Des. 299,558

[45] Date of Patent: ** Jan. 24, 1989

[54] COMBINED BODY LOTION APPLICATOR AND COVER THEREFOR

[76] Inventor: Beverly M. Robison, P.O. Box 207, Curlew, Wash. 99118

[**] Term: 14 Years

[21] Appl. No.: 5,401

[22] Filed: Jan. 20, 1987

[52] U.S. Cl. D28/7; D28/63

[58] Field of Search D4/114, 137, 138; D24/41, 63; D28/4-8, 63, 99, 59; 15/244.1; 132/1 R, 88.5, 88.7, DIG. 3; 400/200-202; D9/337, 338

[56] **References Cited**

U.S. PATENT DOCUMENTS

D. 160,415	10/1950	Moser	D28/63
D. 215,876	11/1969	Linke	D28/63 X
D. 247,212	2/1978	Welch	D28/63 X
D. 250,229	11/1978	Werner	D28/63 X
D. 277,512	2/1985	Colognori	D28/63
D. 280,448	9/1985	Colognori	D28/63
D. 289,564	4/1987	Harford	D28/7
1,270,536	6/1918	Maher	.	
1,431,881	10/1922	Ericson-Smith	D28/63
1,863,778	6/1932	Welsh	401/201 X

2,562,073	7/1951	Vaughn	401/200
2,736,913	3/1956	Mirth	401/201 X
2,800,673	7/1957	Lazisky	604/58 X
2,922,180	1/1960	Render	206/361 X
3,345,669	10/1967	Starry	15/244.1
3,463,302	8/1969	Preston	206/361
3,568,237	3/1971	Rhodes	15/244.2
3,818,911	6/1974	Fournier	401/198 X
4,165,815	8/1979	Vetter	15/244.1
4,299,005	11/1981	Brown	15/244.2
4,475,836	10/1984	Colognori	401/201

Primary Examiner—Louis S. Zarfes

Attorney, Agent, or Firm—Wells, St. John & Roberts

[57] **CLAIM**

The ornamental design for combined body lotion applicator and cover therefor, as shown.

DESCRIPTION

FIG. 1 is a top front perspective view of a combined body lotion applicator and cover therefor showing my new design; FIG. 2 is a bottom front perspective view; FIG. 3 is a front elevational view; FIG. 4 is a rear elevational view; FIG. 5 is a top plan view; FIG. 6 is a left side elevational view; and FIG. 7 is a bottom plan view.

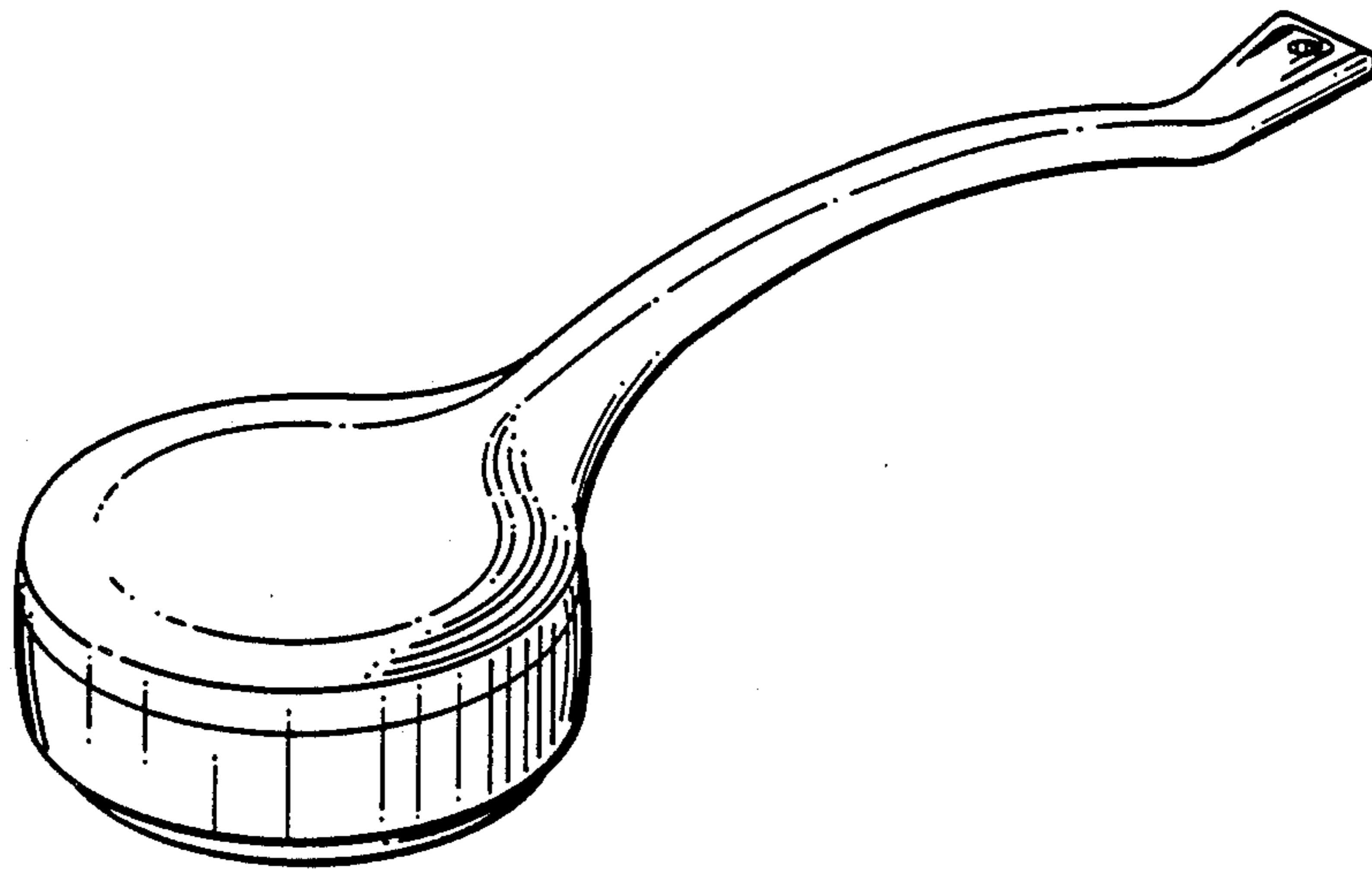


FIG 1

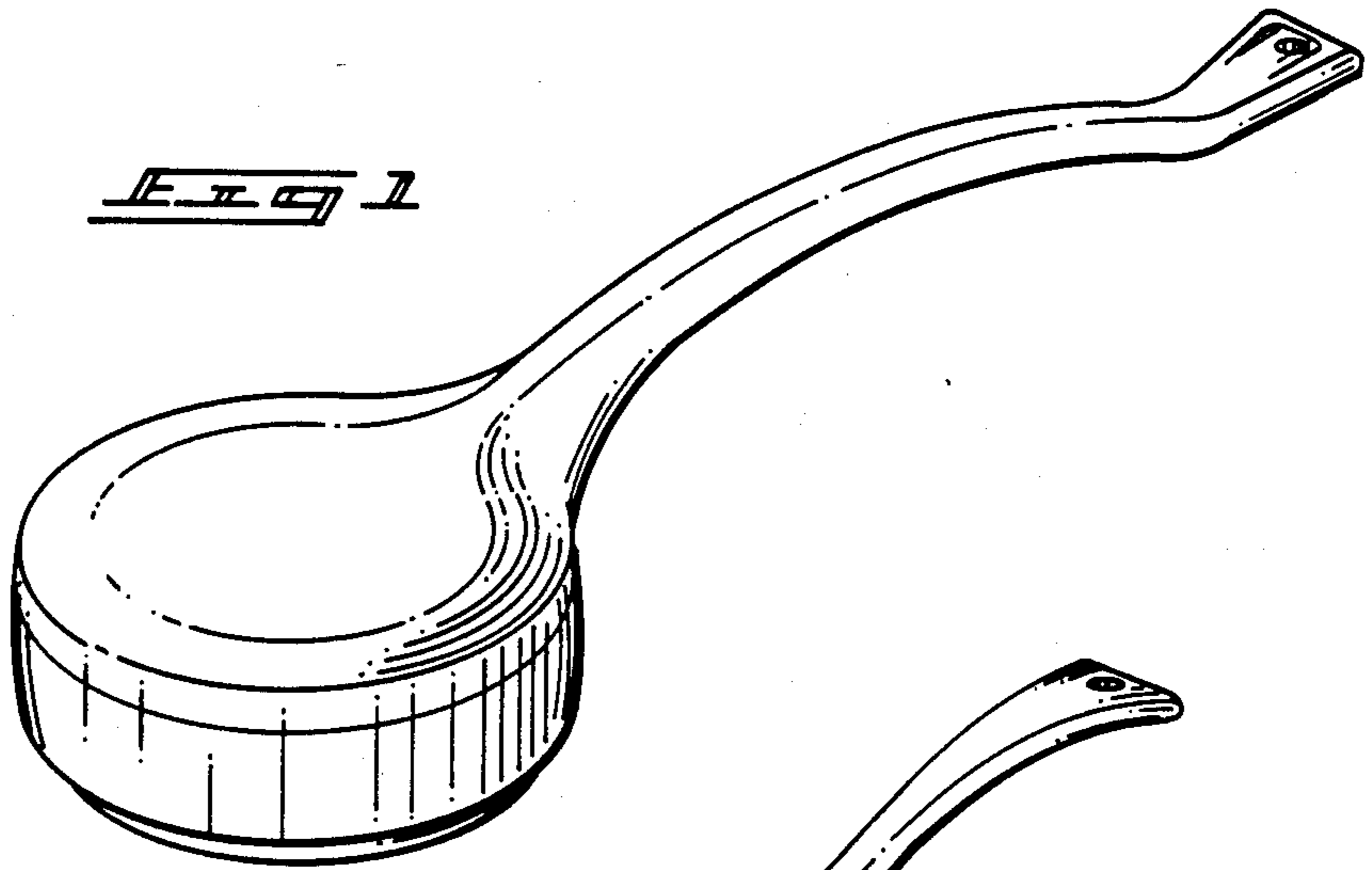


FIG 2

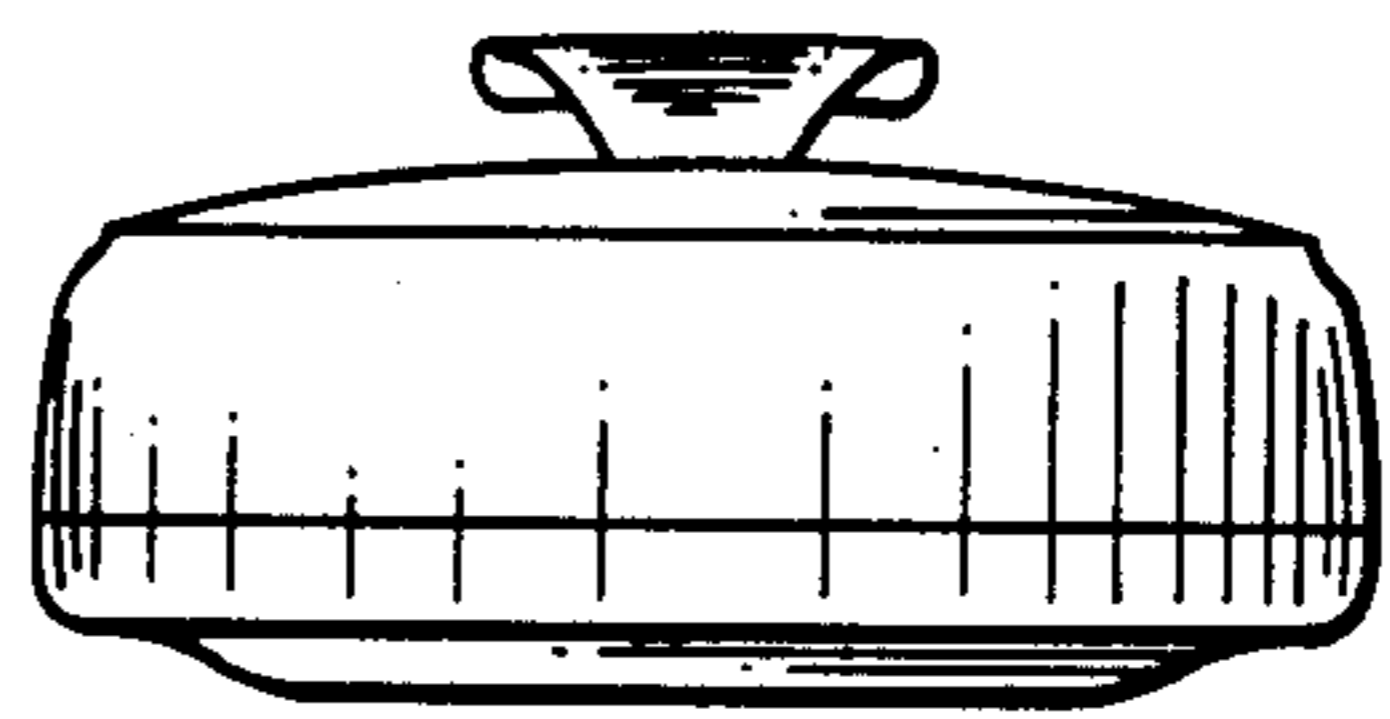
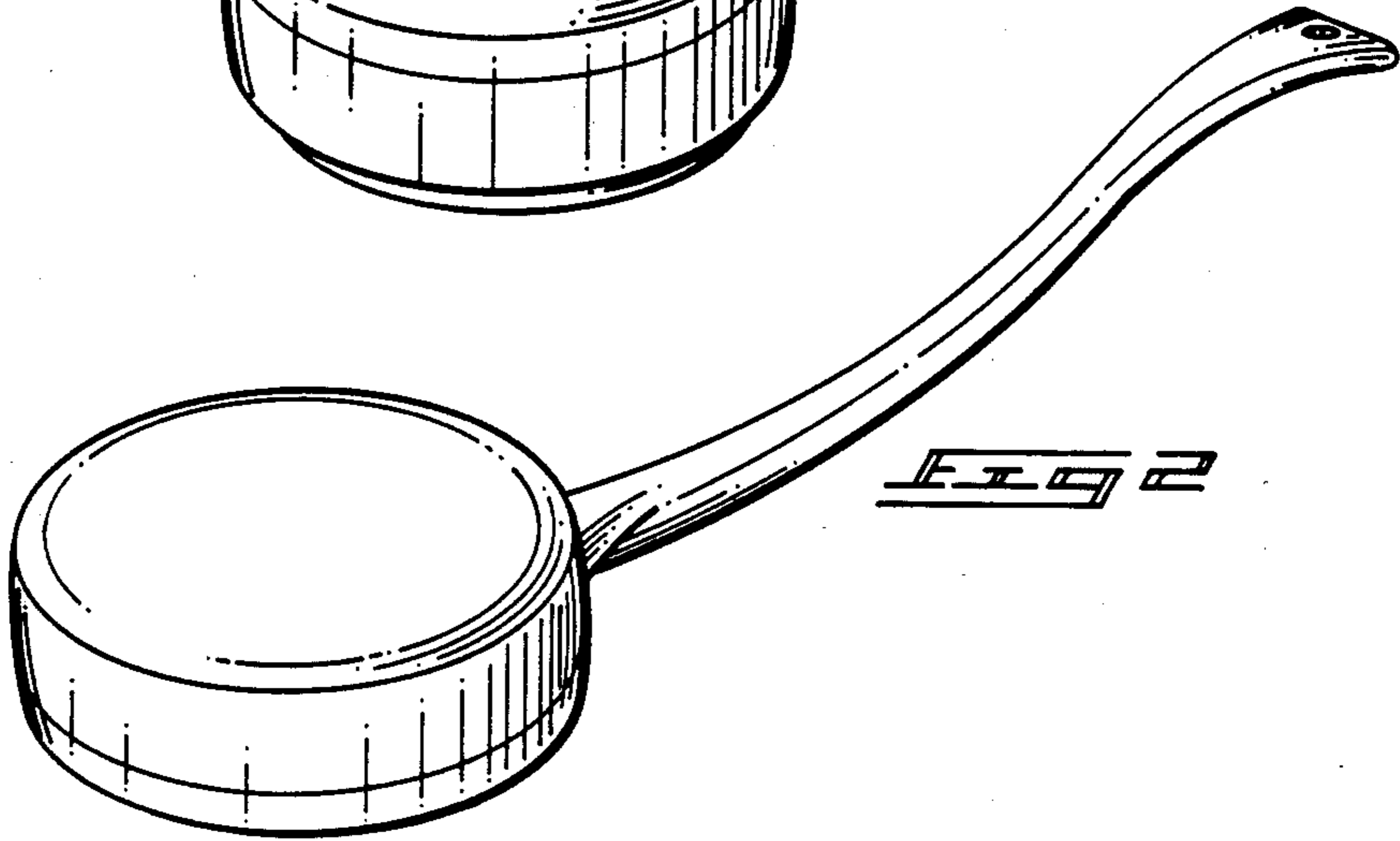


FIG 3

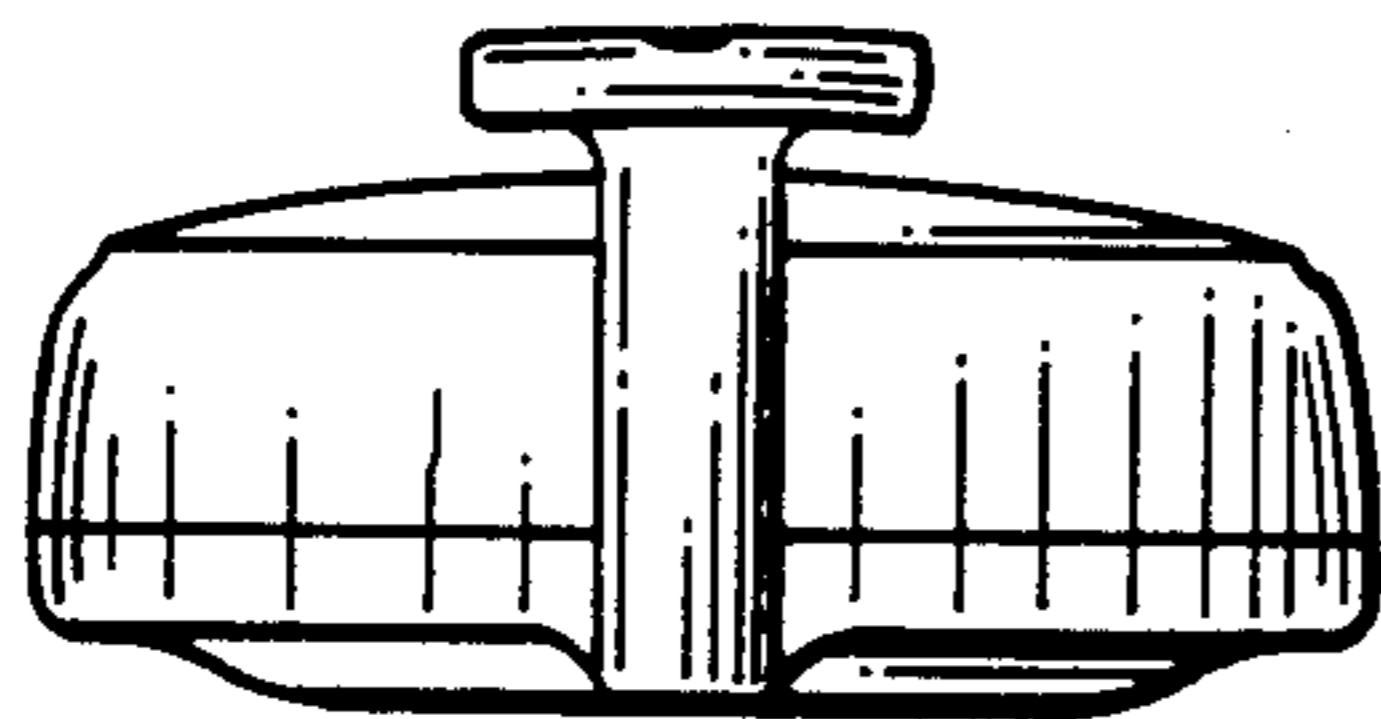


FIG 4

FIG 5

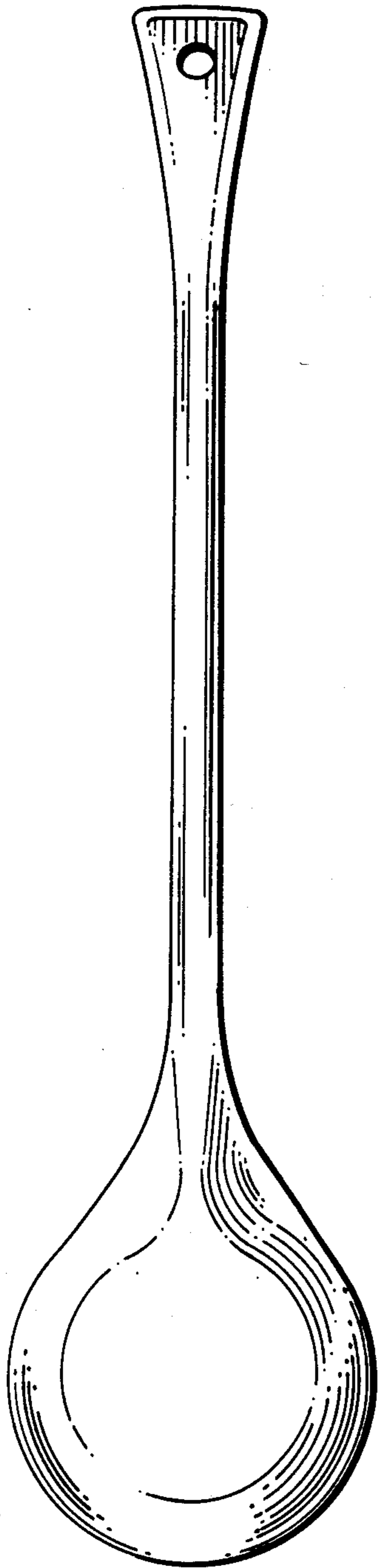


FIG 6



FIG 7

