

[54] **EXTERIOR POST LAMP**

[75] **Inventor: Henry Muller, Forest Hills, N.Y.**

[73] **Assignee: Lightolier Incorporated, Secaucus, N.J.**

[**] **Term: 14 Years**

[21] **Appl. No.: 858,305**

[22] **Filed: May 1, 1986**

[52] **U.S. Cl. D26/69**

[58] **Field of Search D26/67-71;
362/431, 362, 363**

[56] **References Cited**

U.S. PATENT DOCUMENTS

D. 279,410 6/1985 Fiorentino et al. D26/69

OTHER PUBLICATIONS

Lexalite International Corp. catalog pages, Post Lamp.

Lightolier Light Book, ©1981, p. 78, Wall Lamp #3651.

McPhilben Woodscape Lighting catalog, 4-1973, p. 11, Fixture 16A-44-Grooved Post.

Stilnovo Summary catalog 57/84, 4-1984, p. 24, Post Lamp 45061/4.

Primary Examiner—Susan J. Lucas

Attorney, Agent, or Firm—Arthur B. Colvin

[57] **CLAIM**

The ornamental design for an exterior post lamp, as shown and described.

DESCRIPTION

FIG. 1 is a top, side perspective view of an exterior post lamp showing my new design;

FIG. 2 is a front elevational view thereof on an enlarged scale, the rear being identical;

FIG. 3 is a top plan view thereof on an enlarged scale;

FIG. 4 is a side elevational view thereof on an enlarged scale, the opposite side being identical;

FIG. 5 is bottom plan view thereof on an enlarged scale.

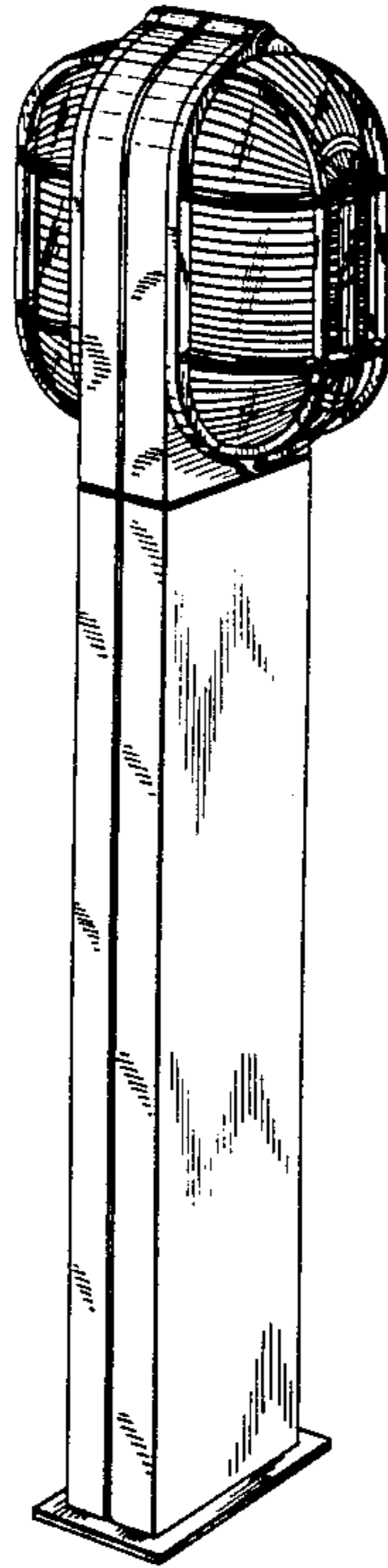
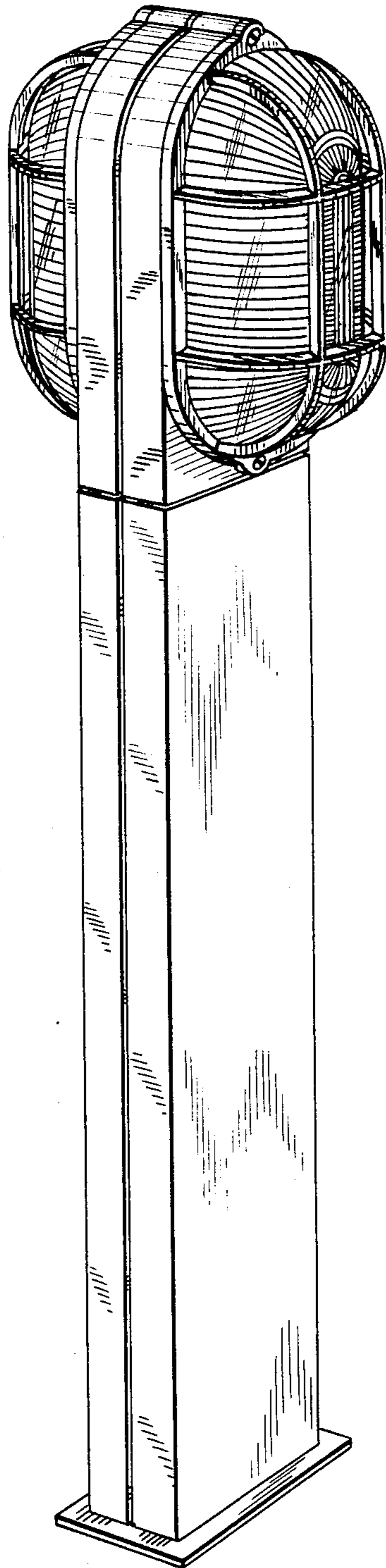


FIG. 1



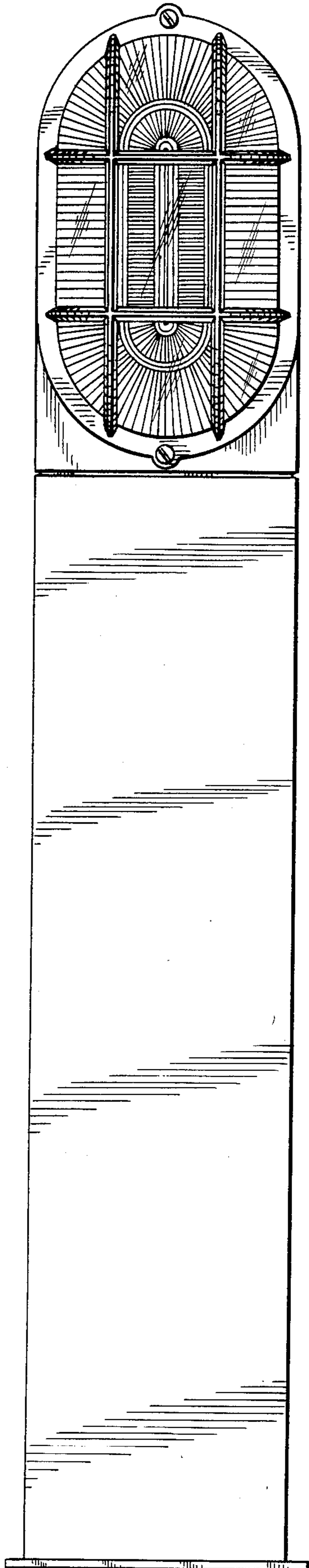
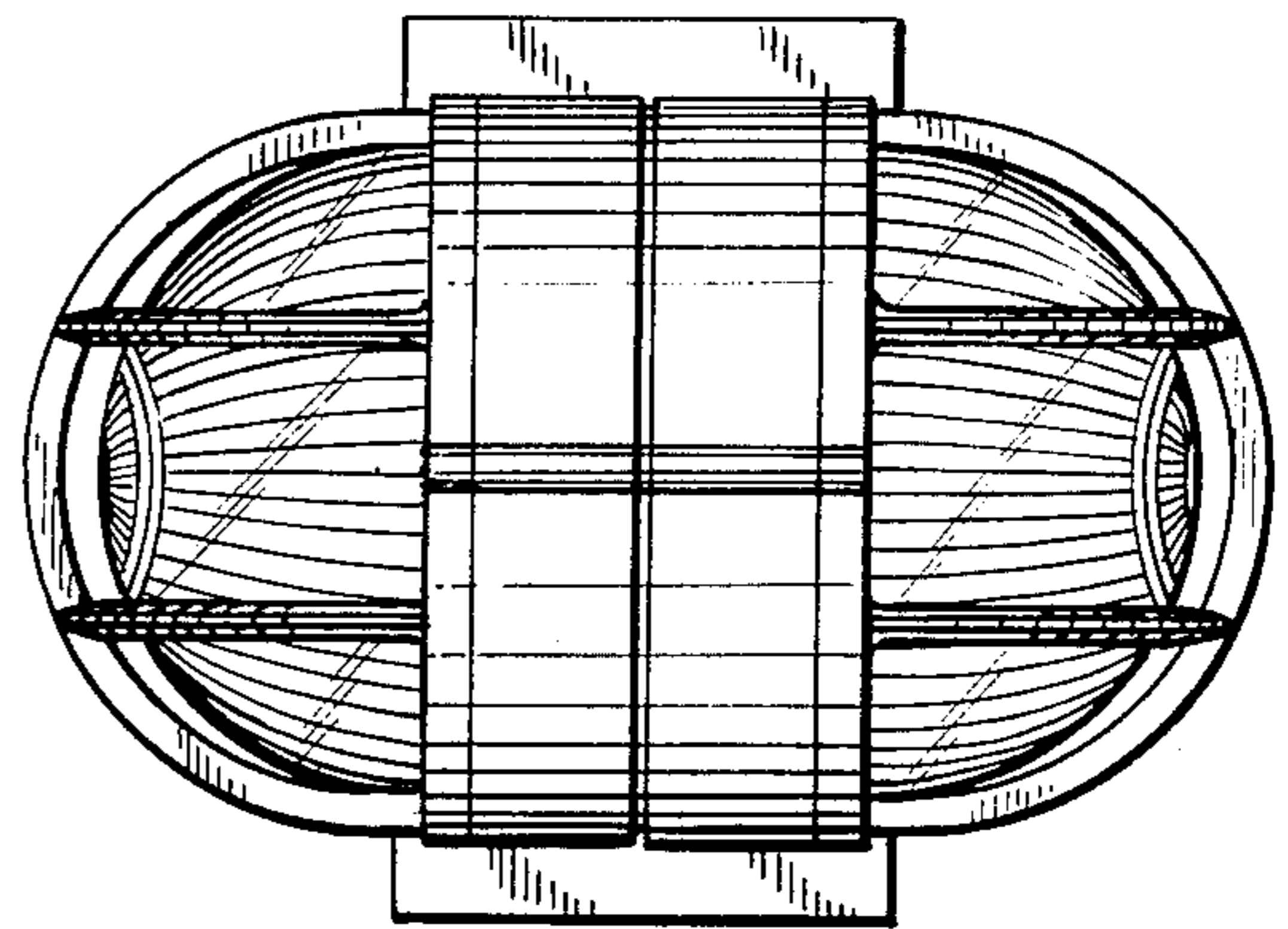


FIG. 2

FIG. 3



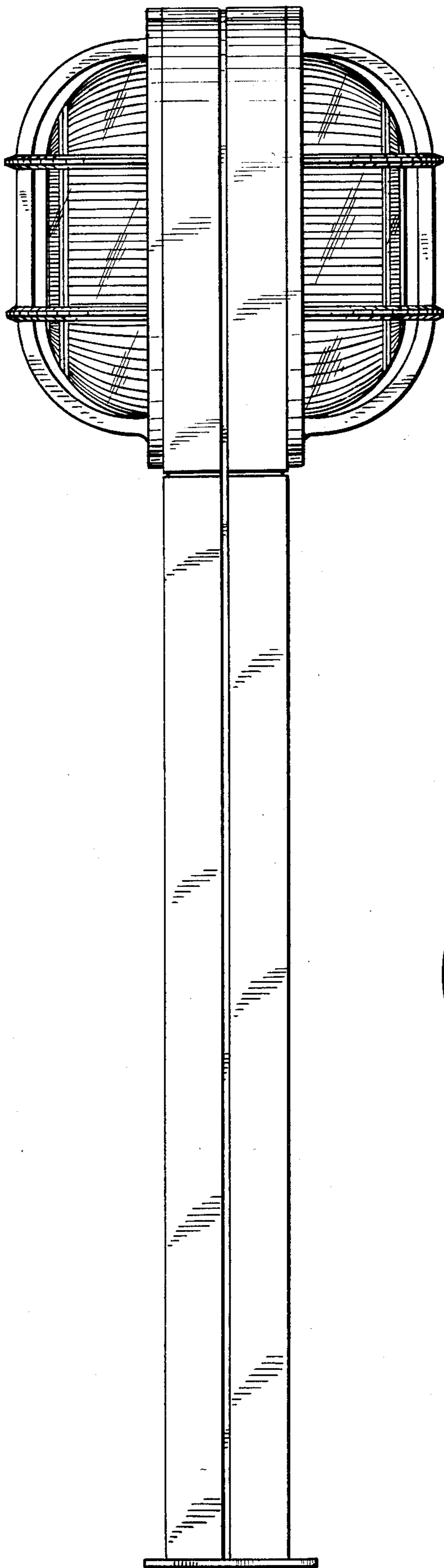


FIG. 4

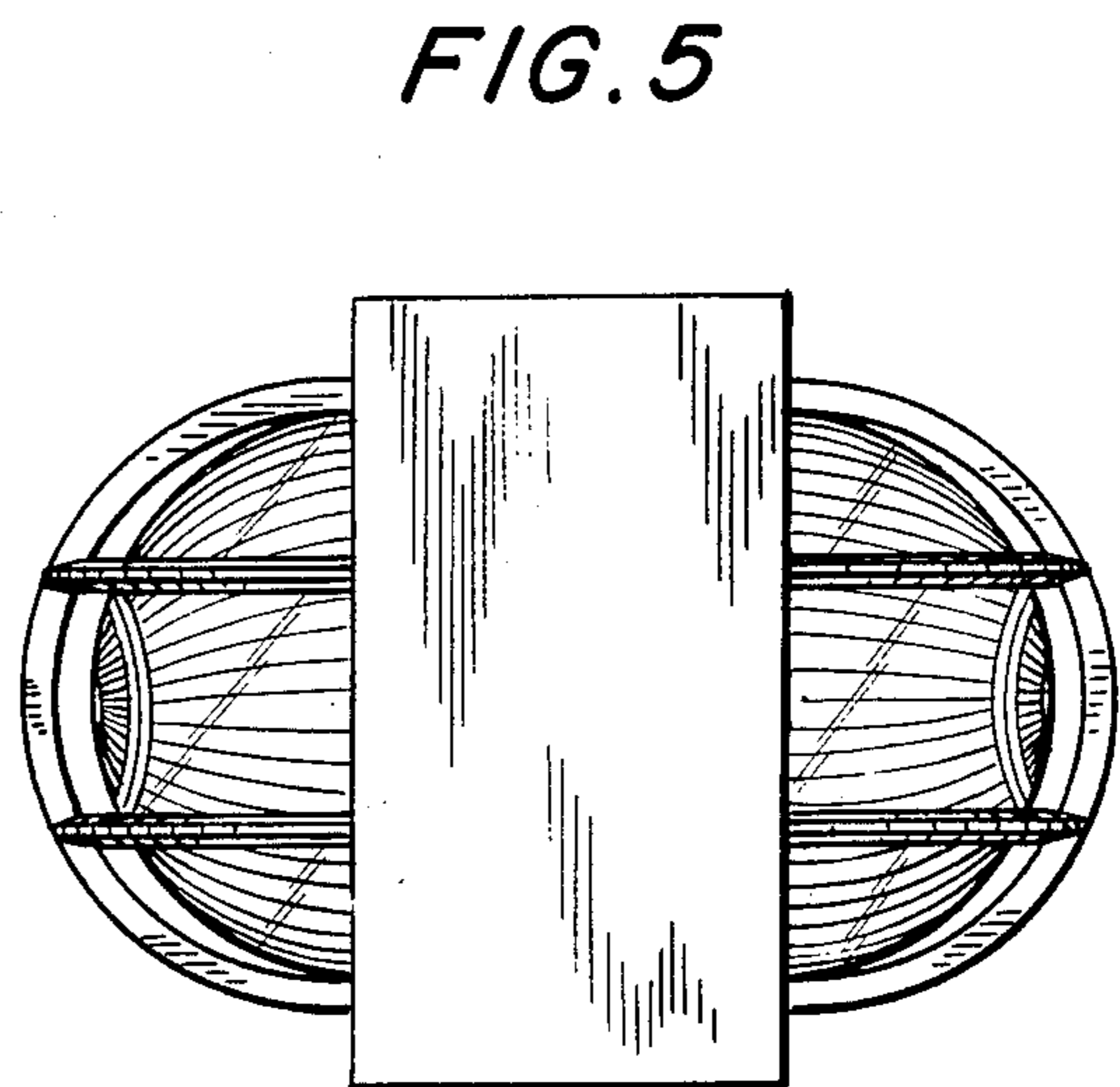


FIG. 5