

[54] **SPOTLIGHT**

[75] **Inventor: Anthony C. Donato, Westfield, N.J.**

[73] **Assignee: Lightolier Incorporated, Secaucus, N.J.**

[**] **Term: 14 Years**

[21] **Appl. No.: 925,130**

[22] **Filed: Oct. 30, 1986**

[52] **U.S. Cl. D26/63**

[58] **Field of Search D26/60-66;
362/269, 275, 287, 375, 418, 427, 362, 147, 431,
432**

[56] **References Cited**

U.S. PATENT DOCUMENTS

- | | | | |
|------------|--------|---------------------|----------|
| D. 203,404 | 1/1966 | Husby et al. | D26/63 |
| D. 215,337 | 9/1969 | Portman et al. | D26/63 X |
| D. 296,244 | 6/1988 | Donato | D26/63 |

OTHER PUBLICATIONS

Progressive Architecture, 3-1985, p. 36LW, Artemide Pilade Spotlamps.

Primary Examiner—Susan J. Lucas
Attorney, Agent, or Firm—Arthur B. Colvin

[57] **CLAIM**

The ornamental design for a spotlight, as shown and described.

DESCRIPTION

FIG. 1 is a bottom perspective view of a spotlight showing my new design;

FIG. 2 is a top plan view thereof, with the lamp holder in an alternate design;

FIG. 3 is a side elevational view thereof, the opposite side being a mirror image.

FIG. 4 is an end elevational view thereof as seen from the right of FIGS. 1 and 3;

FIG. 5 is an end elevational view thereof as seen from the left of FIGS. 1 and 3;

FIG. 6 is a bottom plan view thereof.

The supporting beam is shown in broken lines for illustrative purposes only.

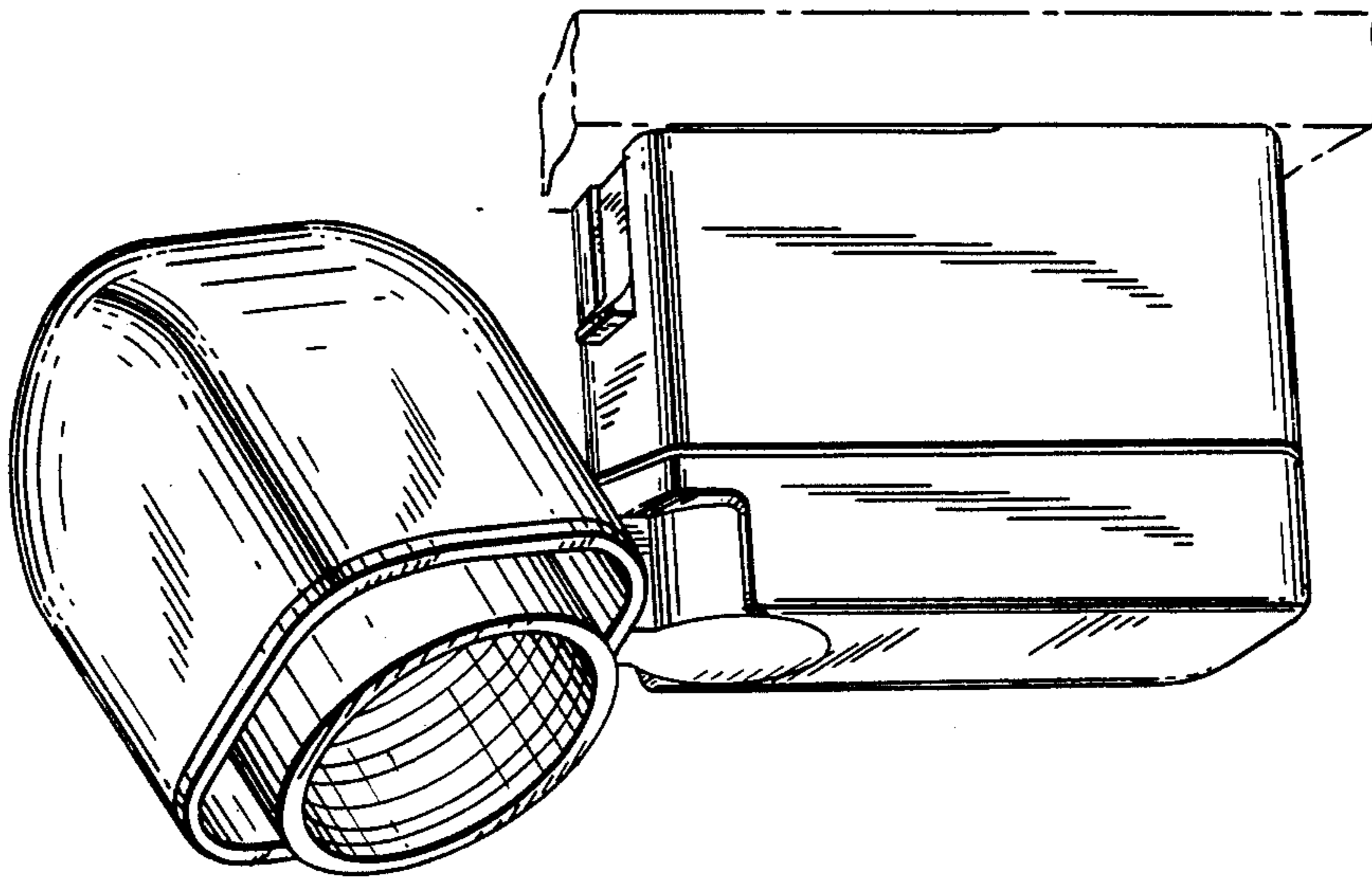


FIG. 1

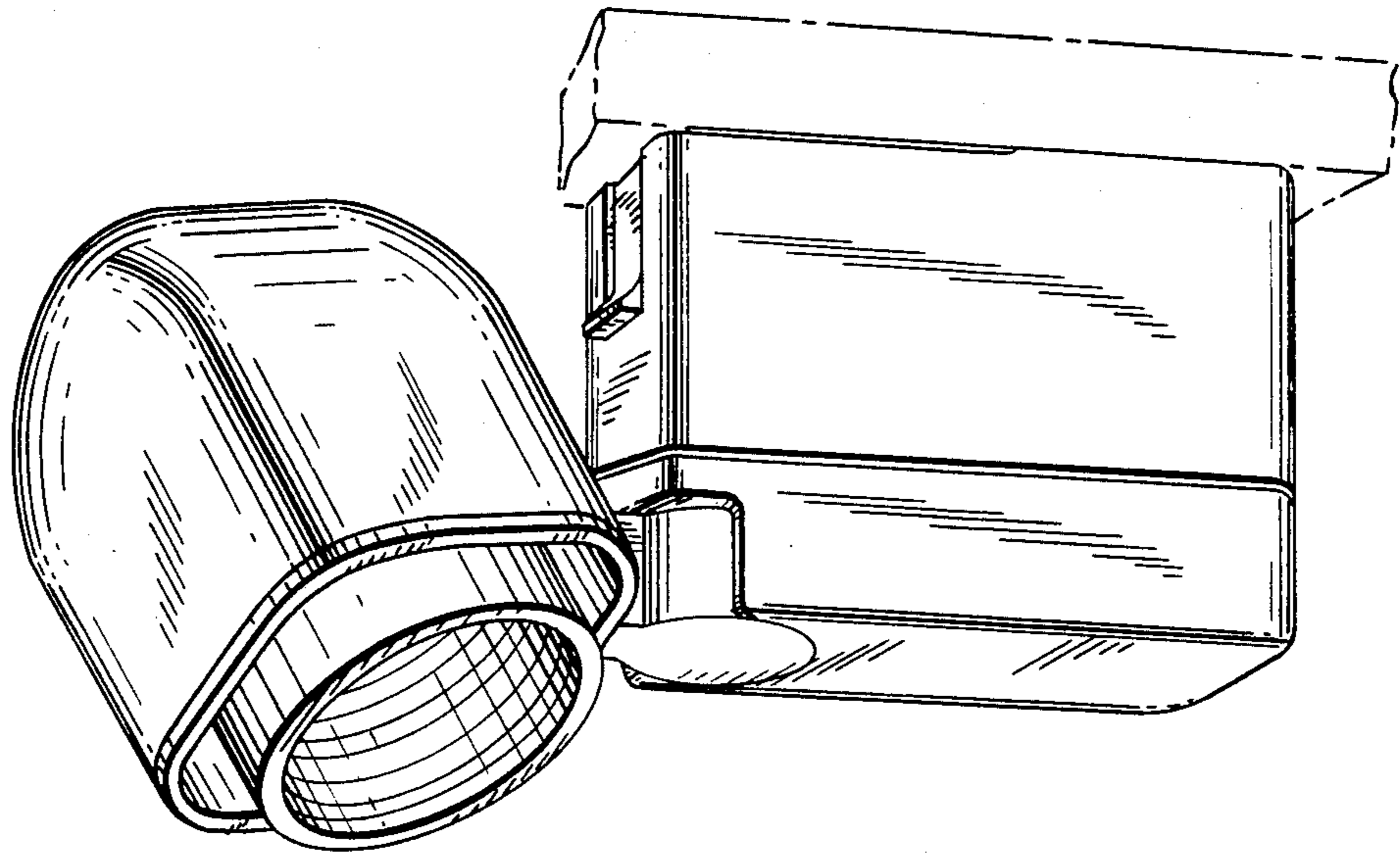


FIG. 2

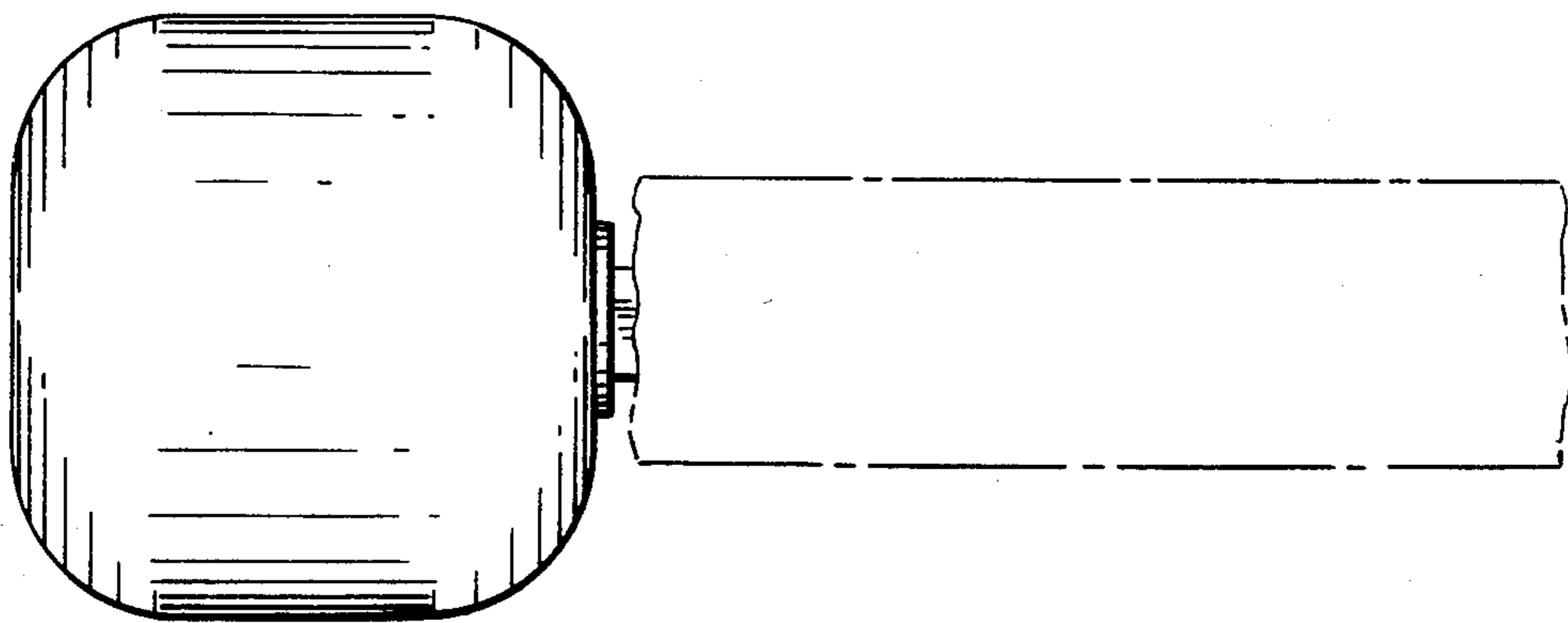


FIG. 3

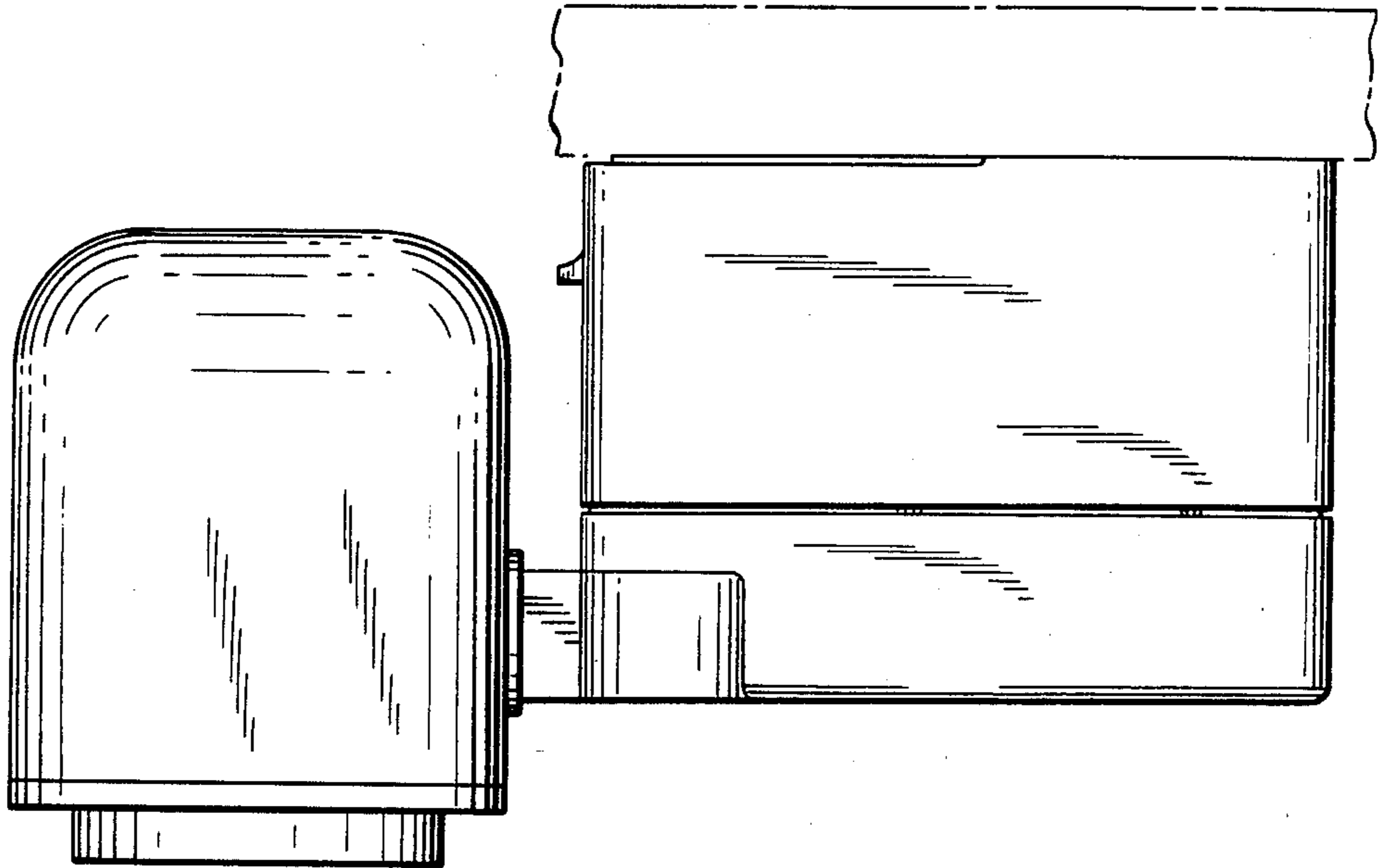
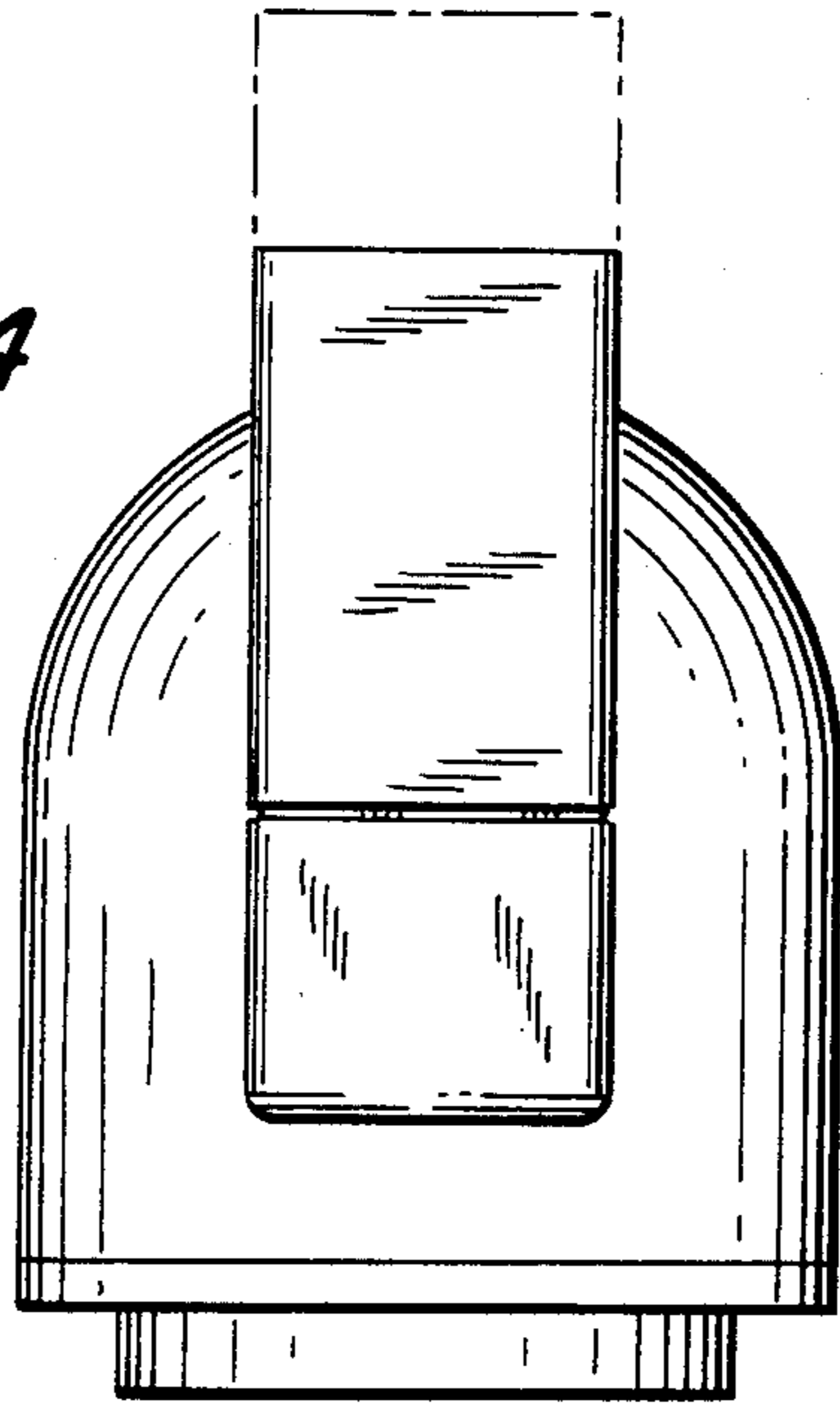


FIG. 4



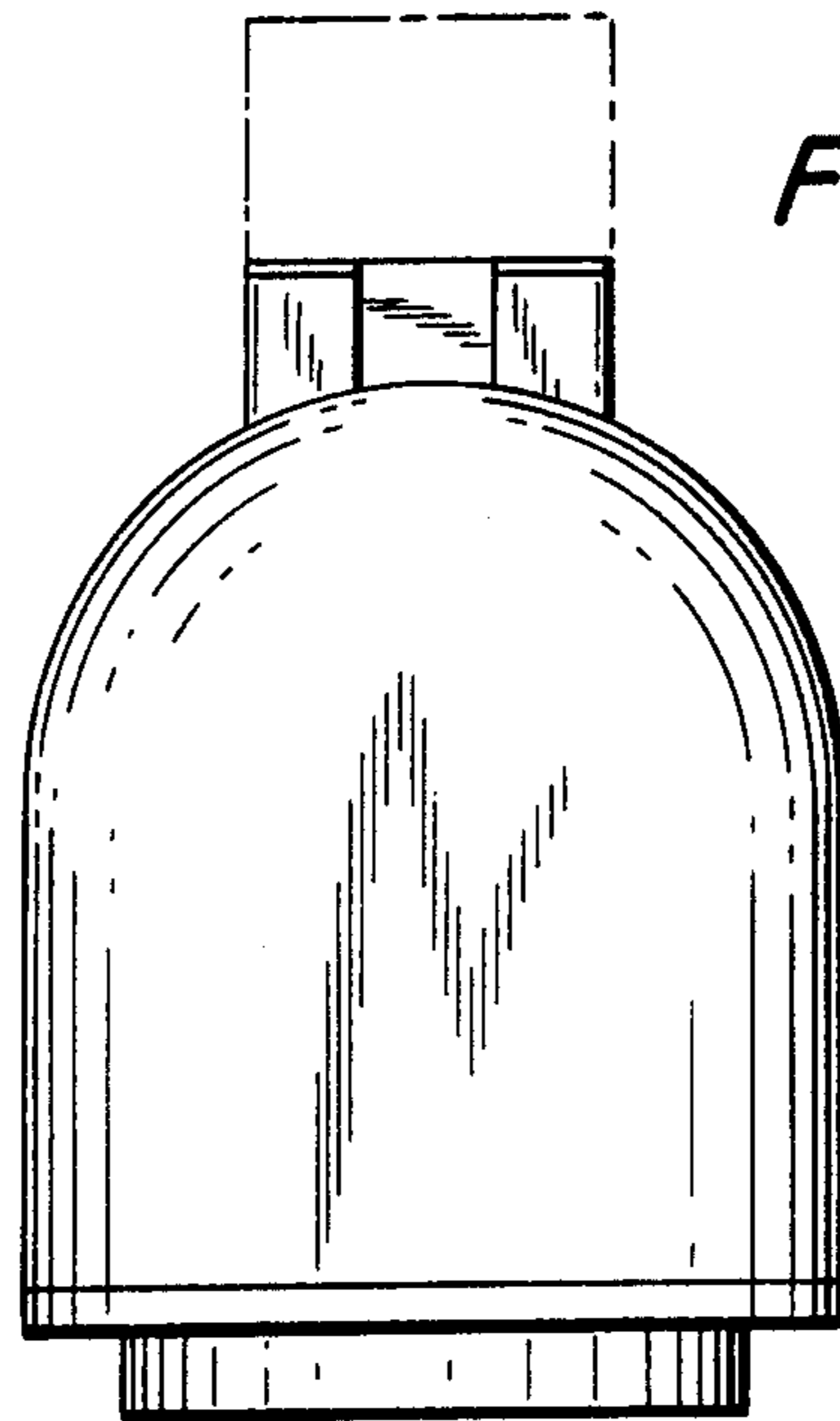


FIG. 5

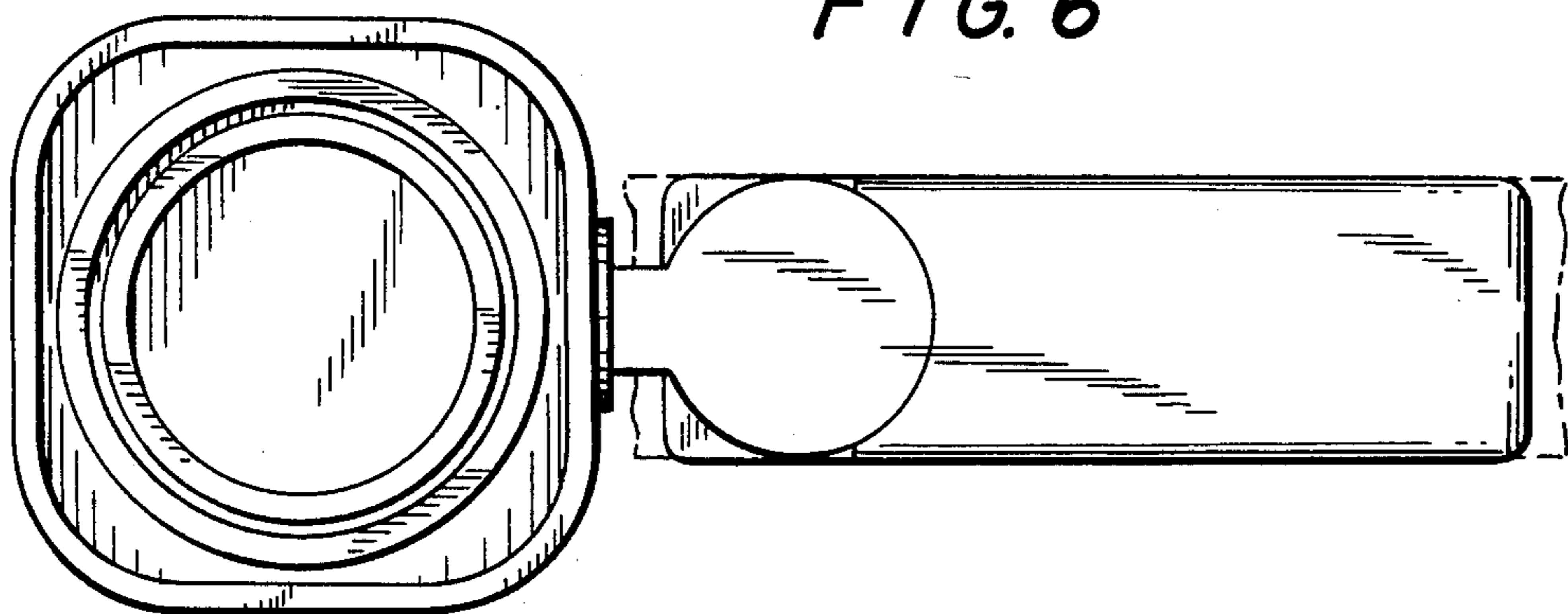


FIG. 6