

[54] SPOTLIGHT

[75] Inventor: Anthony C. Donato, Westfield, N.J.

[73] Assignee: Lightolier Incorporated, Secaucus, N.J.

[\*\*] Term: 14 Years

[21] Appl. No.: 925,129

[22] Filed: Oct. 30, 1986

[52] U.S. Cl. .... D26/63

[58] Field of Search ..... D26/60-66;  
362/269, 275, 287, 375, 418, 427, 362, 147, 431,  
432

[56] References Cited

U.S. PATENT DOCUMENTS

D. 203,404 1/1966 Husby et al. .... D26/63

OTHER PUBLICATIONS

Harry Gitlin Lighting ad, 1977, Track System LL2100Y, top, right, Spotlight.

Progressive Architecture, 3-1985, p. 36LW, Artemide Pilade Spotlamps.

Primary Examiner—Susan J. Lucas  
Attorney, Agent, or Firm—Arthur B. Colvin

[57] CLAIM

The ornamental design for a spotlight, as shown and described.

DESCRIPTION

FIG. 1 is a bottom perspective view of a spotlight showing my new design;

FIG. 2 is a top plan view thereof with a lampholder in an alternate position;

FIG. 3 is a side elevational view thereof, the opposite side being a mirror image.

FIG. 4 is an end elevational view thereof as seen as from the right of FIGS. 1 and 3;

FIG. 5 is an elevational view thereof as seen from the left of FIGS. 1 and 3;

FIG. 6 is a bottom plan view thereof.

The supporting beam is shown in broken lines for illustrative purposes only.

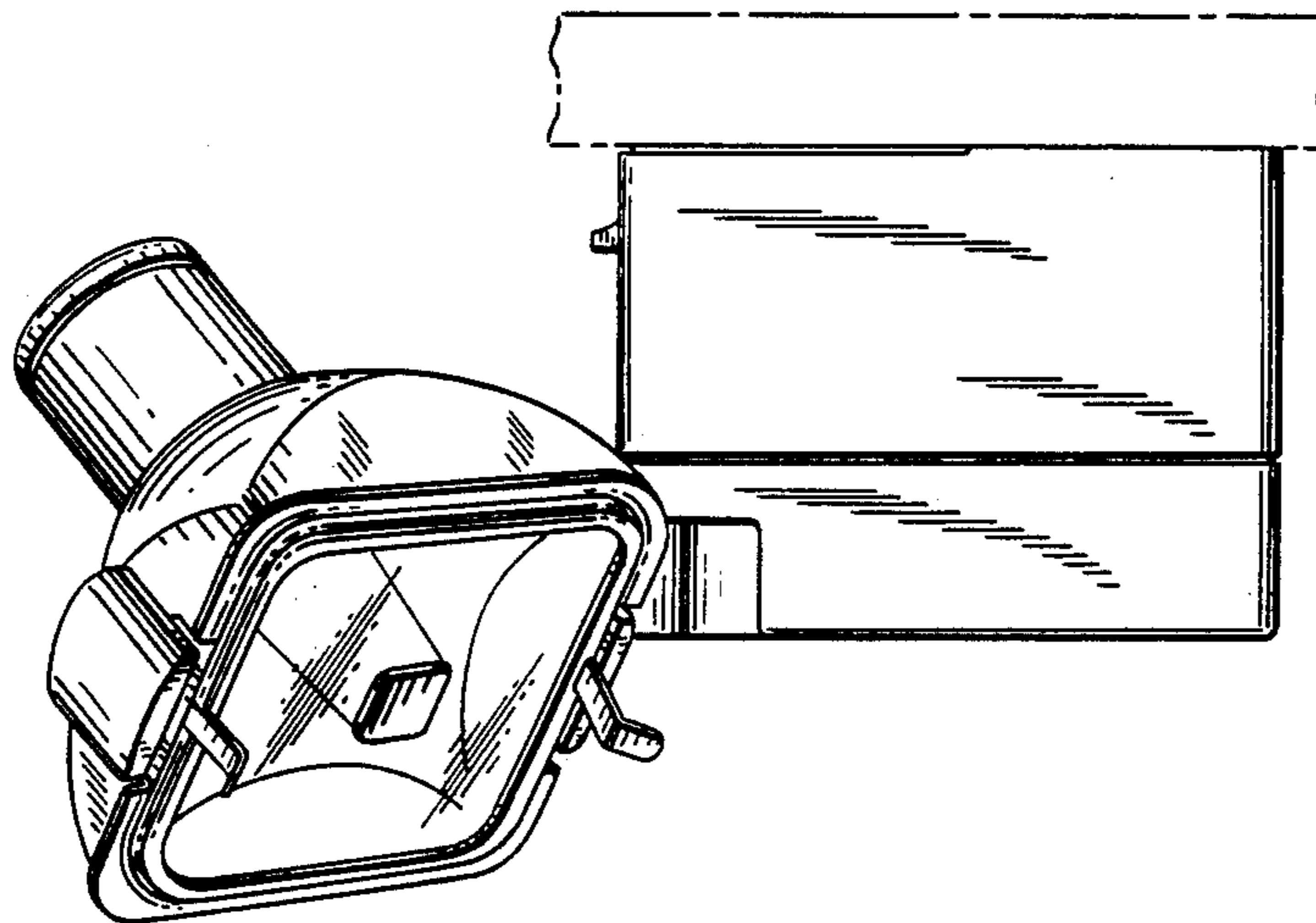


FIG. 1

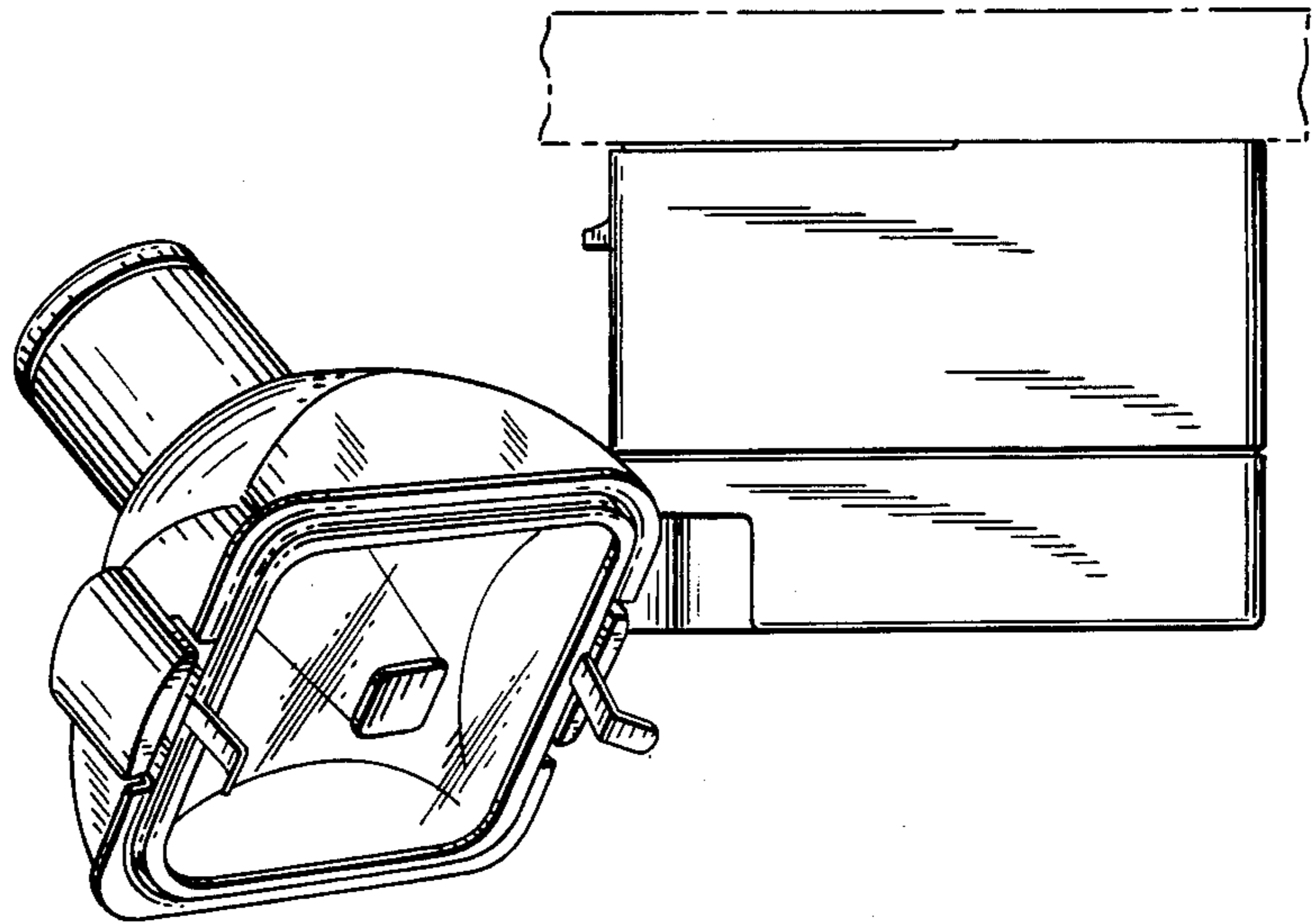


FIG. 2

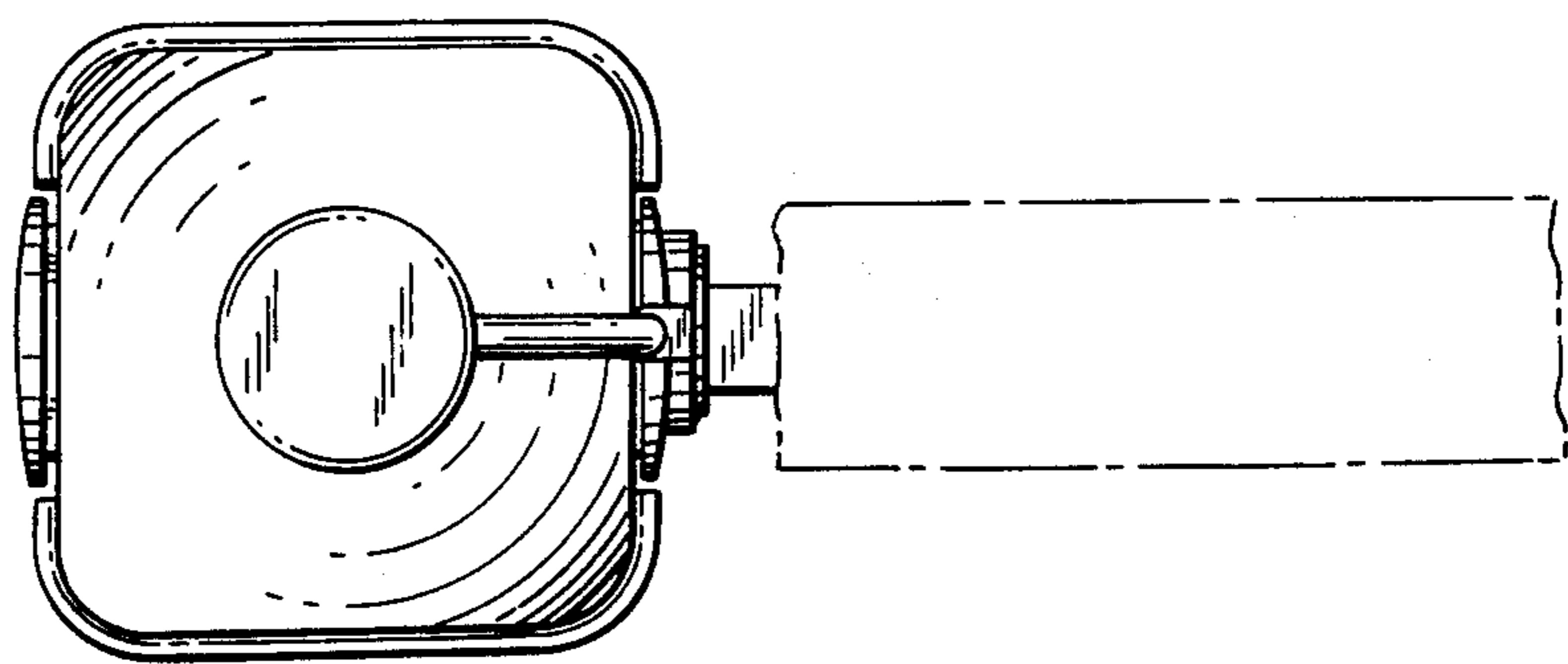


FIG. 3

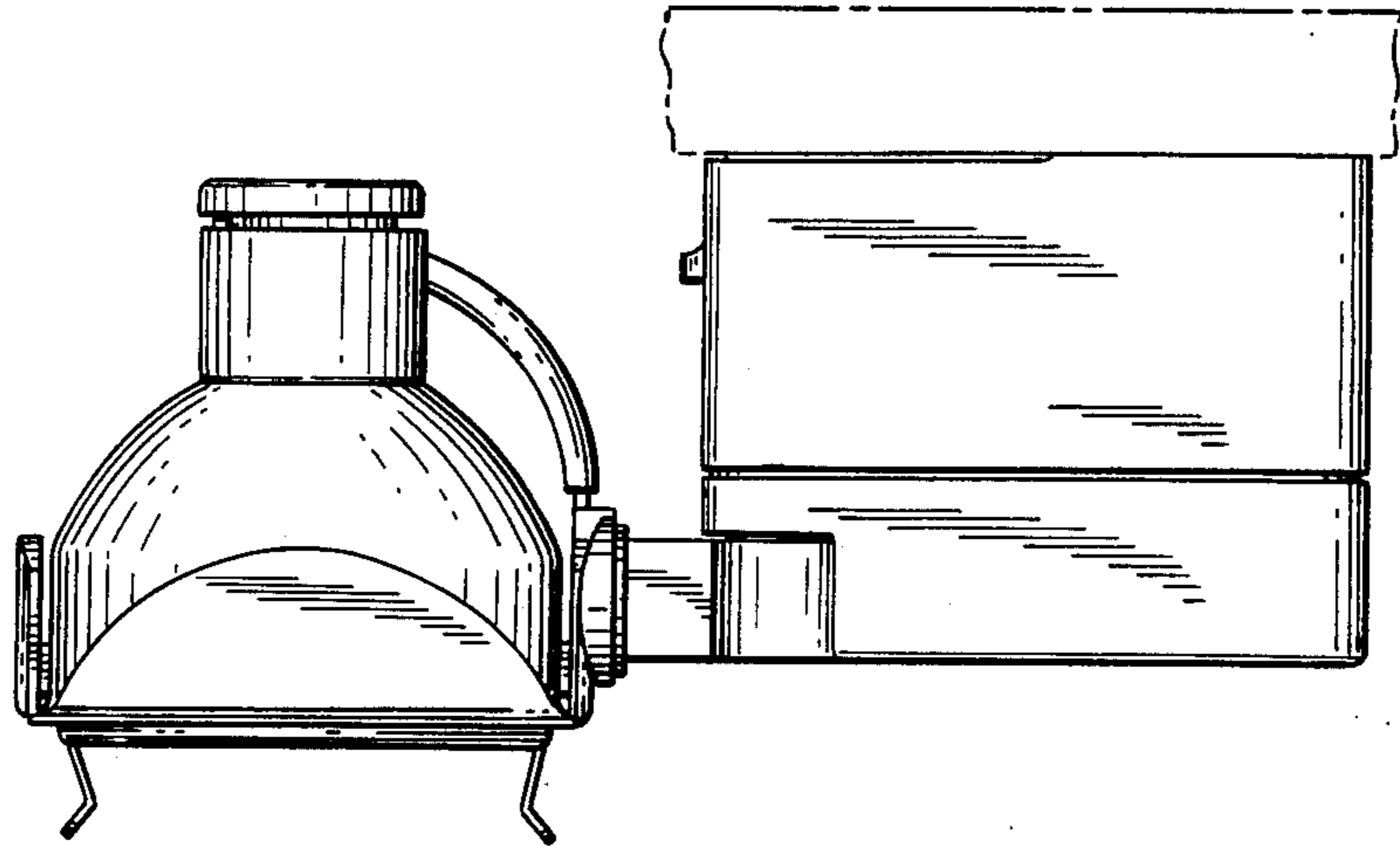


FIG. 4

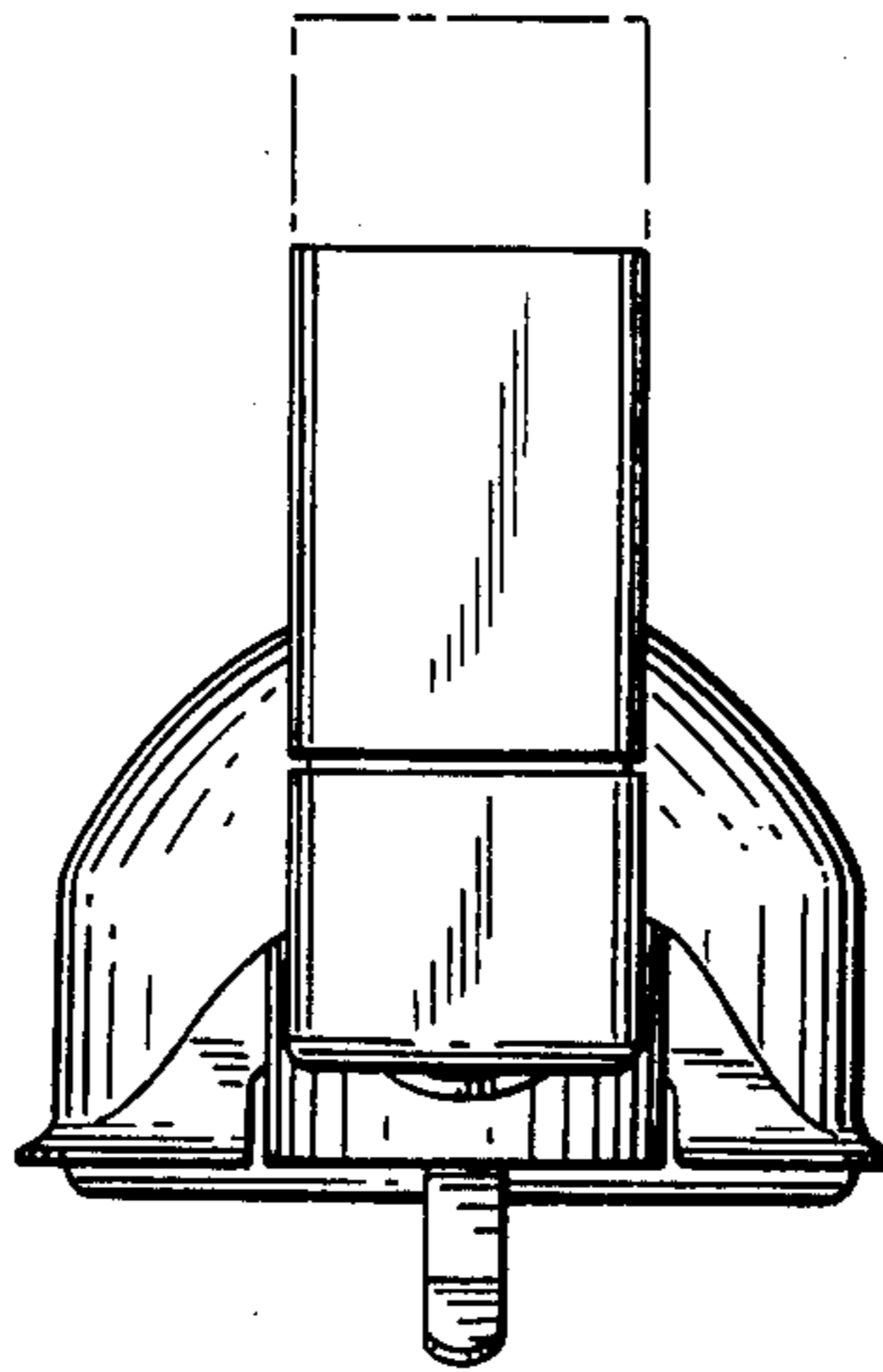


FIG. 5

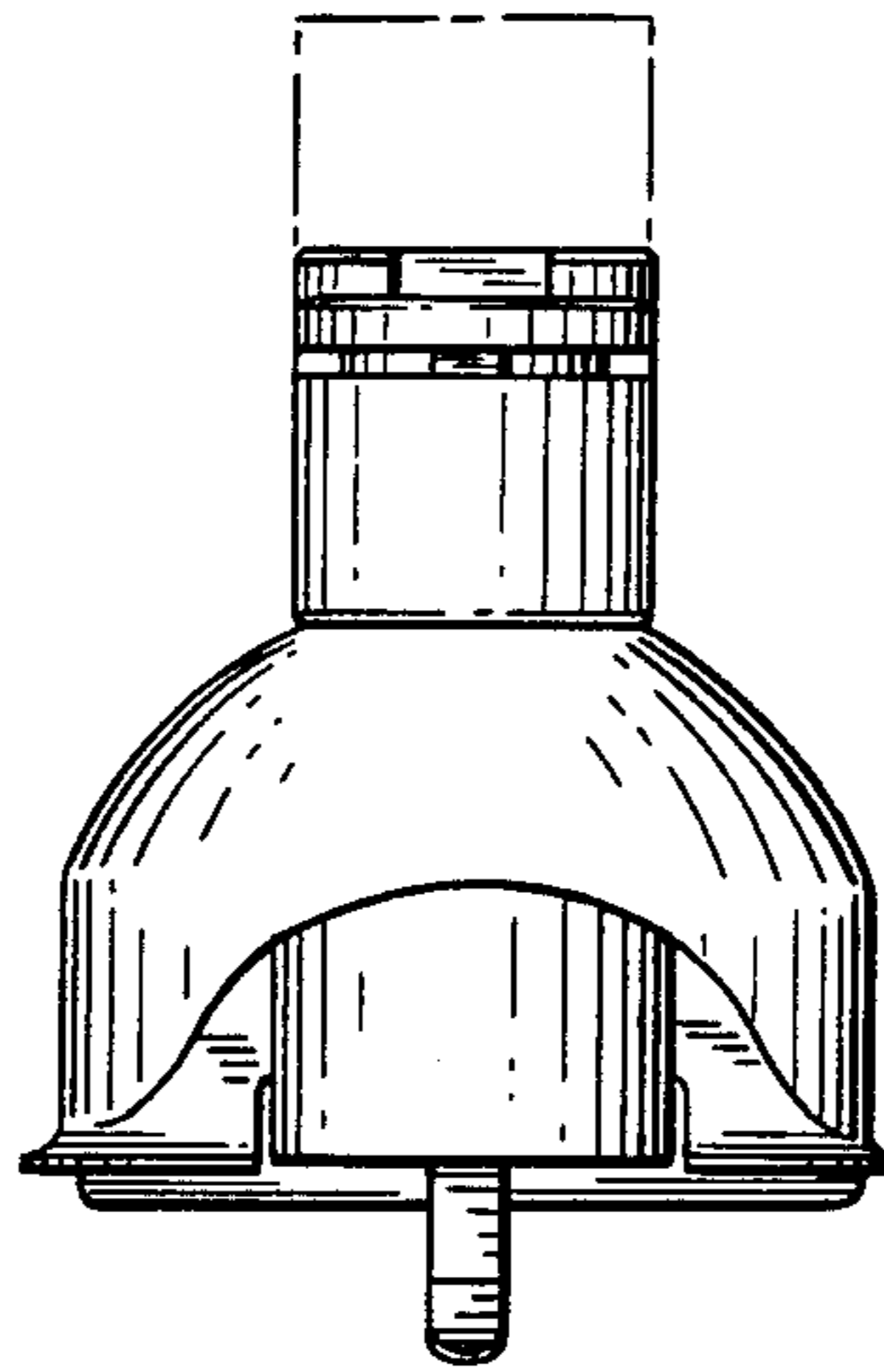


FIG. 6

