

[54] CHANNELS FOR A FILTER BANK SUPPORTING LATTICEWORK

[75] Inventor: Bertil Larsson, Tyresö, Sweden

[73] Assignee: Flakt AB, Stockholm, Sweden

[**] Term: 14 Years

[21] Appl. No.: 757,934

[22] Filed: Jul. 23, 1985

[30] Foreign Application Priority Data

Jan. 29, 1985 [SE] Sweden 85-0205
[52] U.S. Cl. D25/119
[58] Field of Search D25/119, 121; 52/716, 52/717.1, 718.1, 721, 731, 732

[56] References Cited

U.S. PATENT DOCUMENTS

D. 194,587 2/1963 Waring et al. D25/121
3,053,353 9/1962 Miller 52/732
3,103,184 9/1963 Schreyer et al. 52/732

3,300,940 1/1967 Golasz 52/721
3,441,995 5/1969 Revell et al. 52/732
3,676,966 7/1972 Ragland 52/731
4,174,911 11/1979 Maccario et al. 52/732

Primary Examiner—James M. Gandy
Attorney, Agent, or Firm—Oblon, Fisher, Spivak, McClelland & Maier

[57] CLAIM

The ornamental design for channels for a filter bank supporting latticework, as shown.

DESCRIPTION

FIG. 1 is a top perspective view of the channels for a filter bank supporting latticework showing my new design;
FIG. 2 is a bottom perspective view thereof;
FIG. 3 is a top perspective view of the outside channel thereof shown separately for clarity of illustration;
FIG. 4 is a bottom perspective view of FIG. 3;
FIG. 5 is a top perspective view of the inside channel thereof shown separately for clarity of illustration; and
FIG. 6 is a bottom perspective view of FIG. 5.

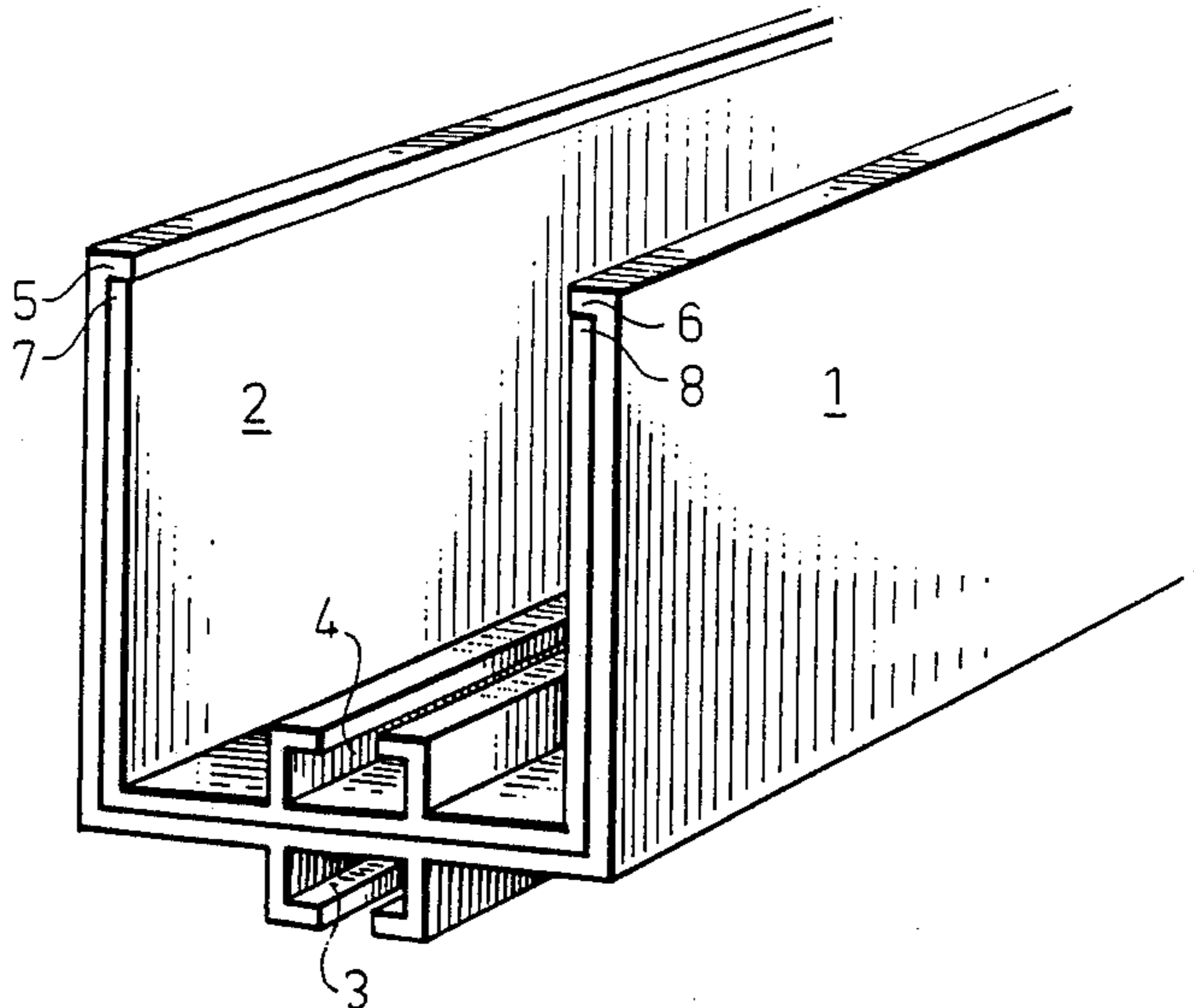


Fig. 1

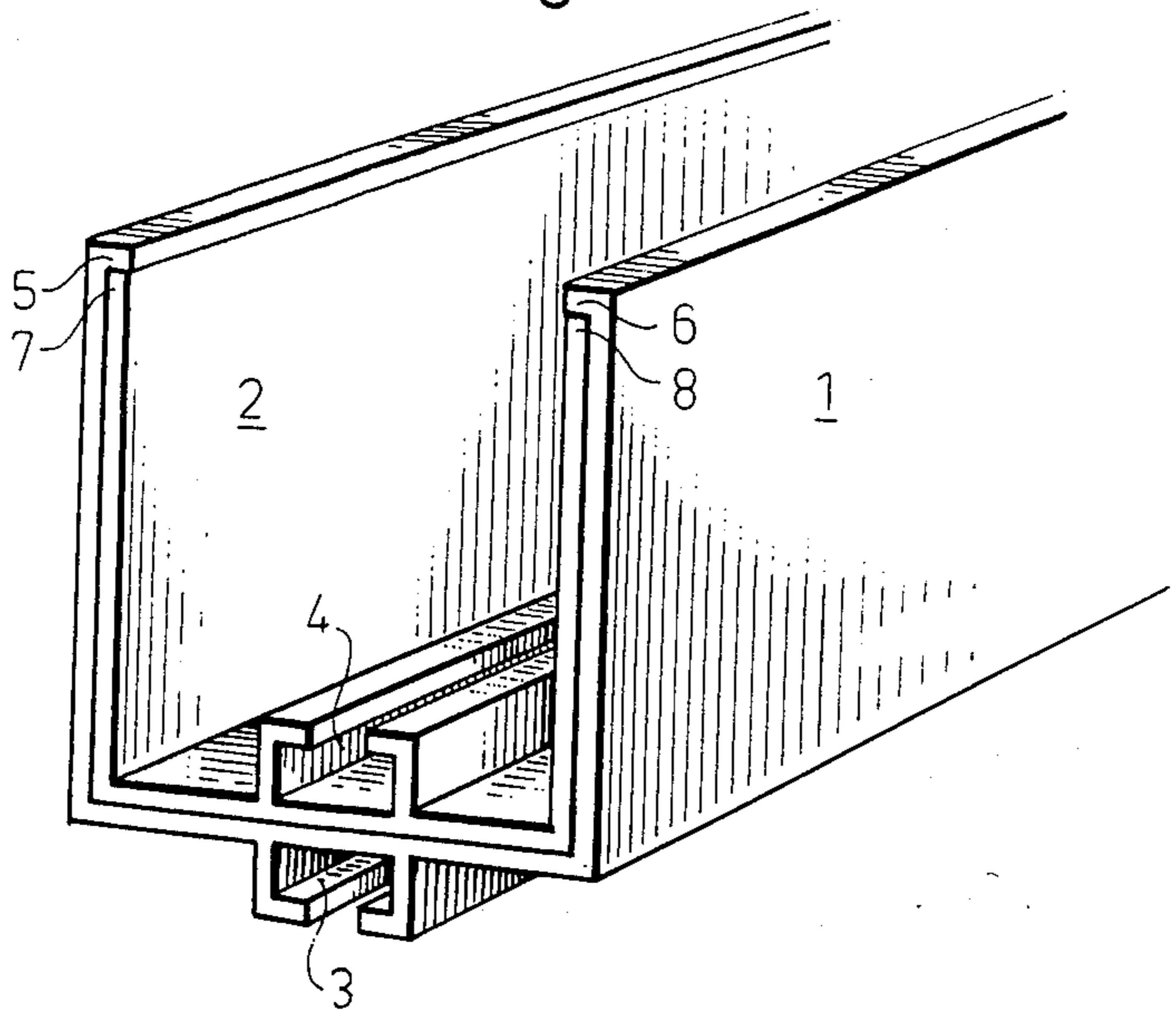


Fig. 2

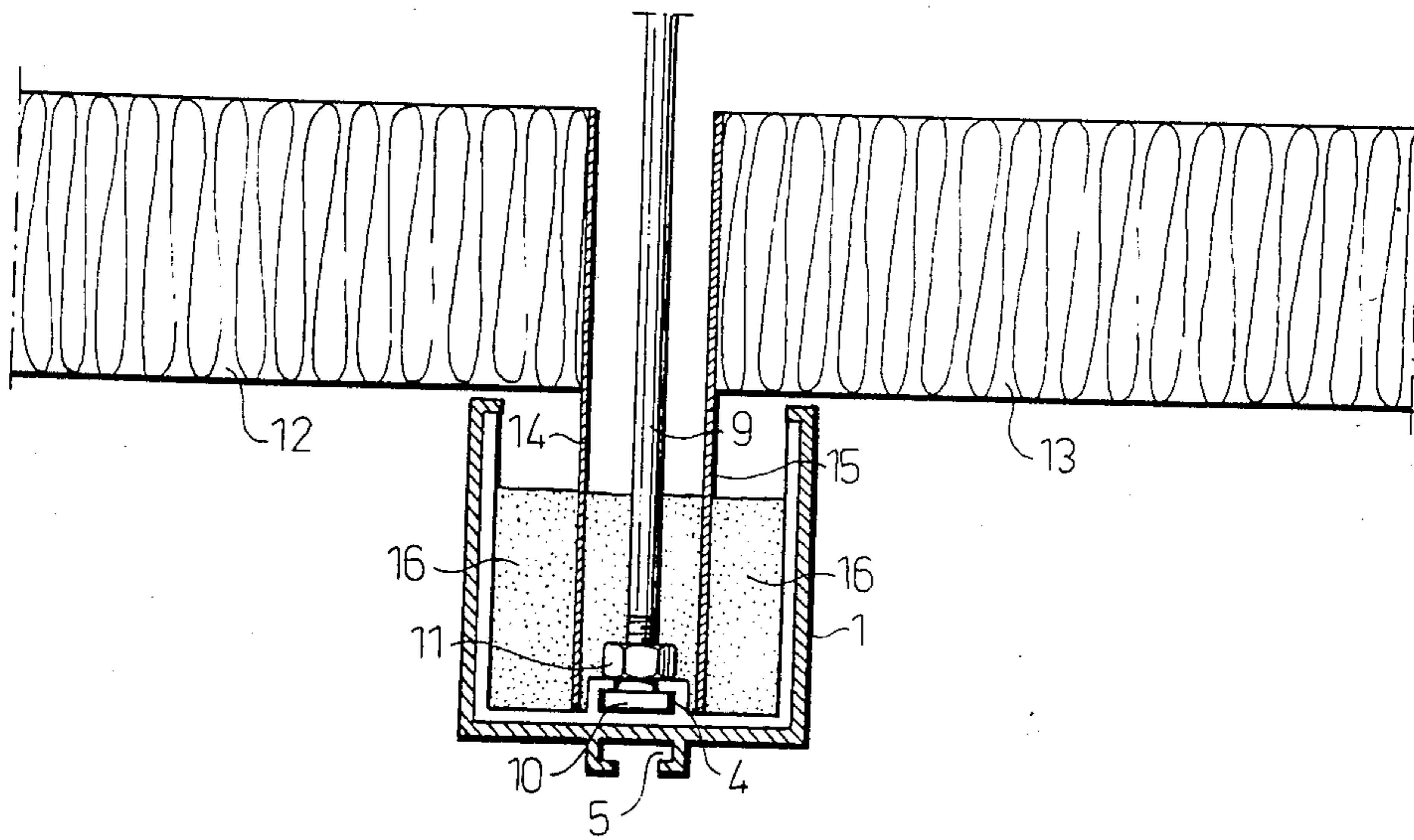


Fig. 3

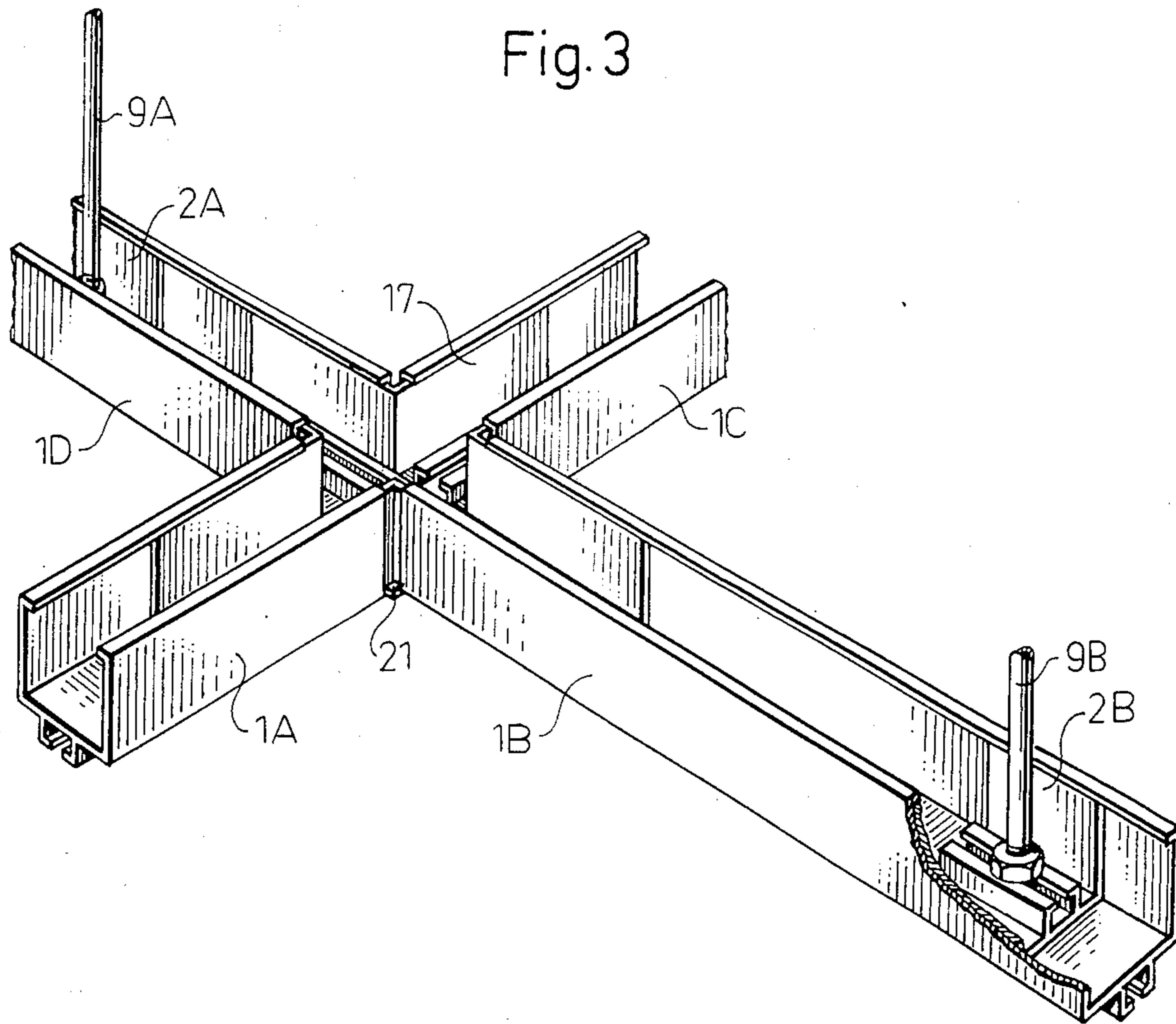


Fig. 4

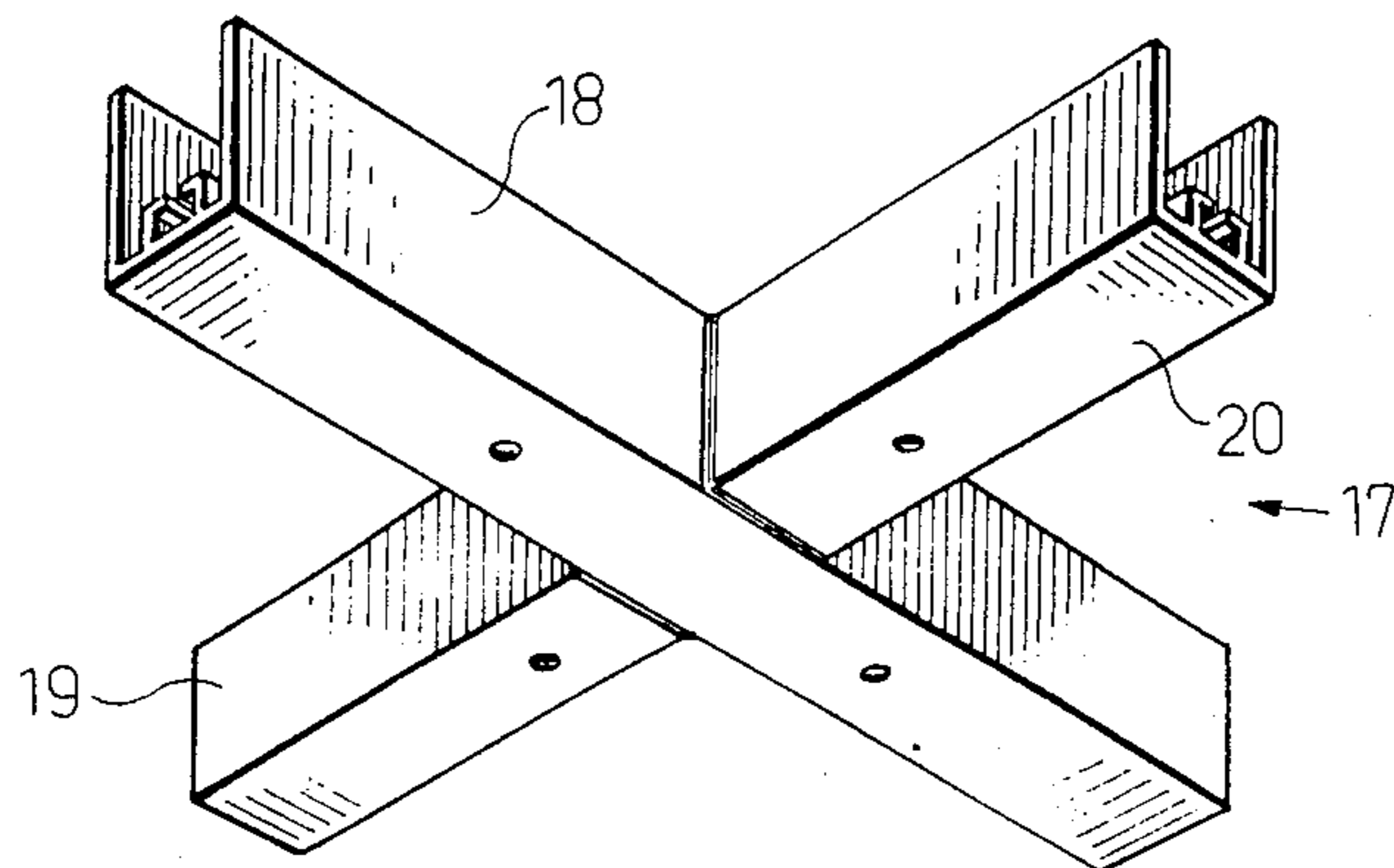


Fig. 5

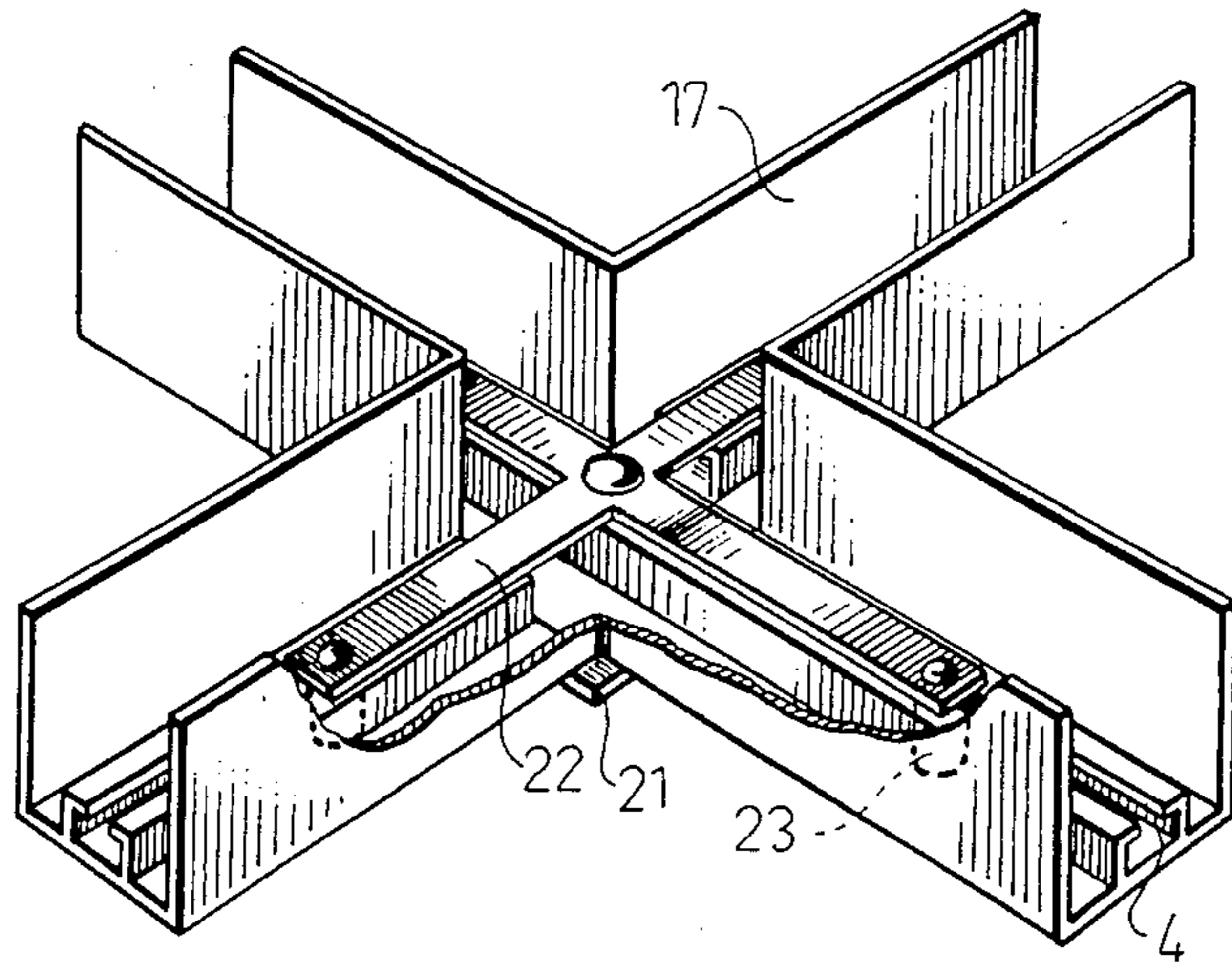


Fig. 6

