

[54] ARM EXTENSION BOARD FOR EXERCISING A DISABLED LIMB

[76] Inventor: Viva L. Kennedy, Rte. 5, Box 40, Jasper, Ala. 35501

[\*\*] Term: 14 Years

[21] Appl. No.: 857,810

[22] Filed: Apr. 28, 1986

[52] U.S. Cl. .... D24/64

[58] Field of Search ..... D24/36, 64, 34; 128/64, 128/77, 83, 80 R, 82, 87 R; D12/131, 133

[56] References Cited

U.S. PATENT DOCUMENTS

- 2,832,334 4/1958 Whitelaw ..... 128/77
- 3,201,780 7/1965 Hazlewood et al. .... D24/64
- 3,256,880 6/1966 Caypinar ..... D24/64
- 3,526,006 9/1970 Beardmore ..... 128/77

- 3,698,389 10/1972 Guedel ..... 128/77
- 3,903,878 9/1975 Spann ..... 128/80 R X
- 3,952,733 4/1976 Williams ..... 128/83
- 4,316,454 2/1982 Perka ..... 128/77

Primary Examiner—Wallace R. Burke  
Assistant Examiner—Stella M. Reid  
Attorney, Agent, or Firm—Terry M. Gernstein

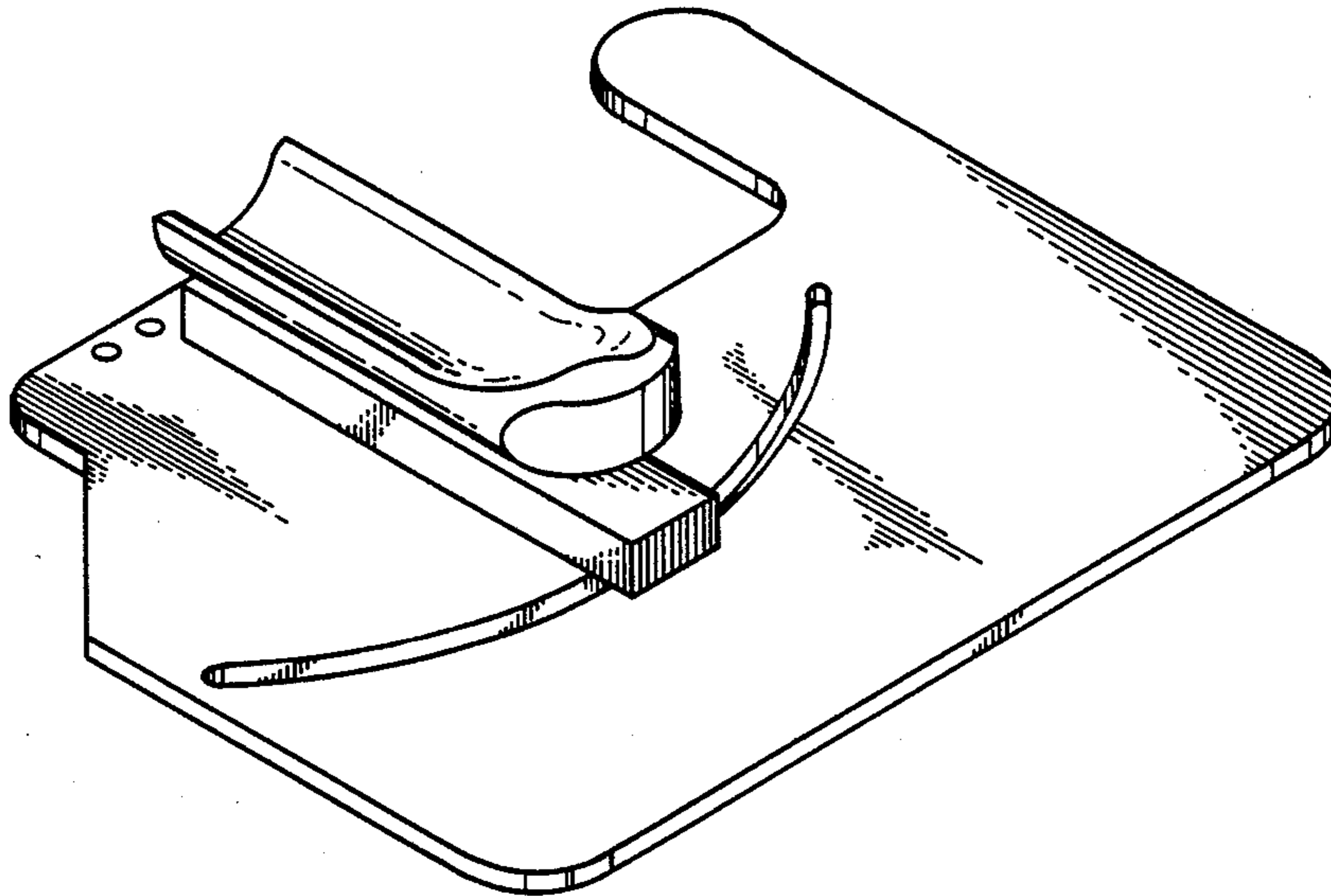
[57] CLAIM

The ornamental design for an arm extension board for exercising a disabled limb, as shown and described.

DESCRIPTION

FIG. 1 is a top perspective view of an arm extension board for exercising a disabled limb, showing my new design;

FIG. 2 is a left side elevational view thereof;  
FIG. 3 is a right side elevational view thereof;  
FIG. 4 is a rear elevational view thereof; and  
FIG. 5 is a bottom plan view thereof.



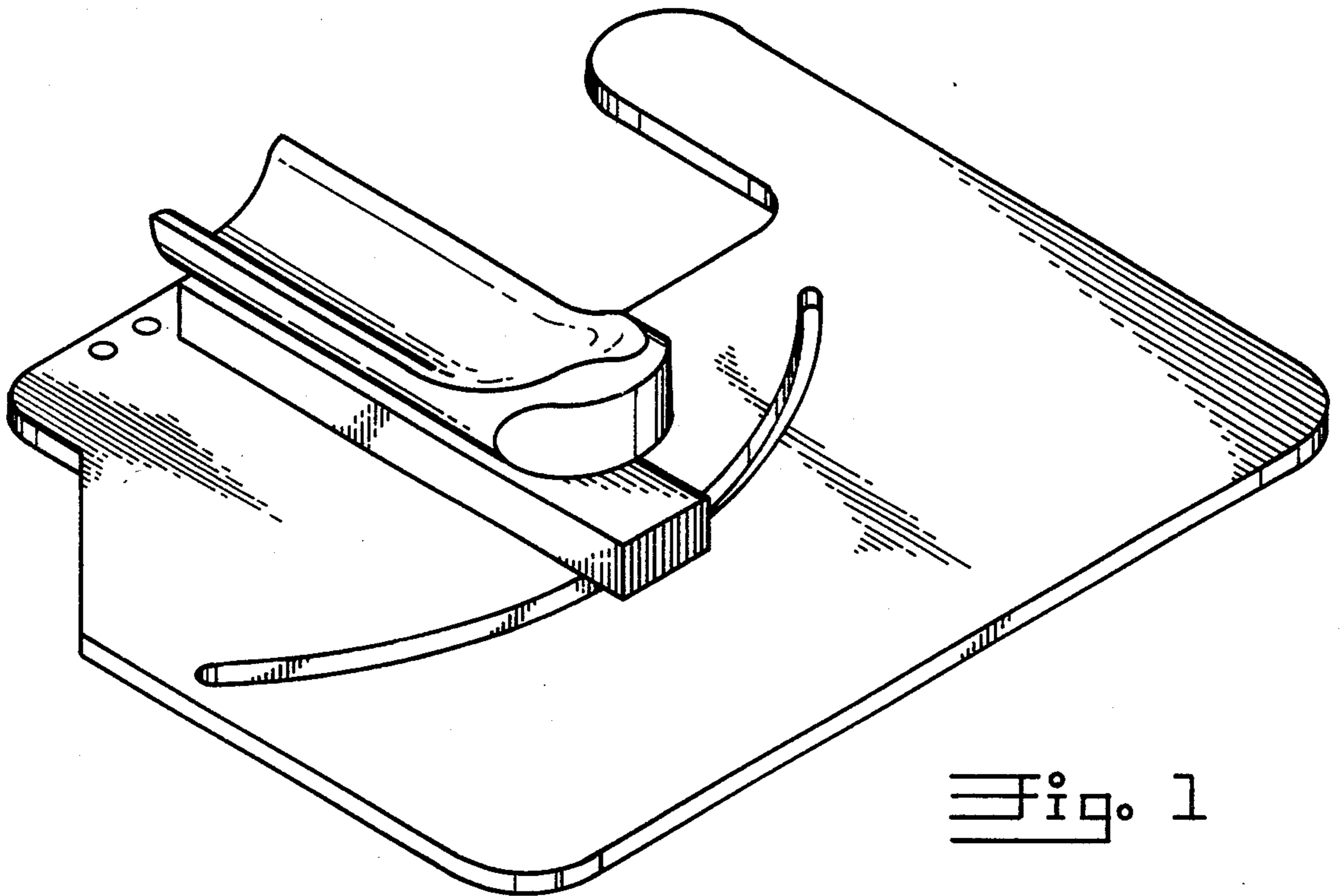


Fig. 1

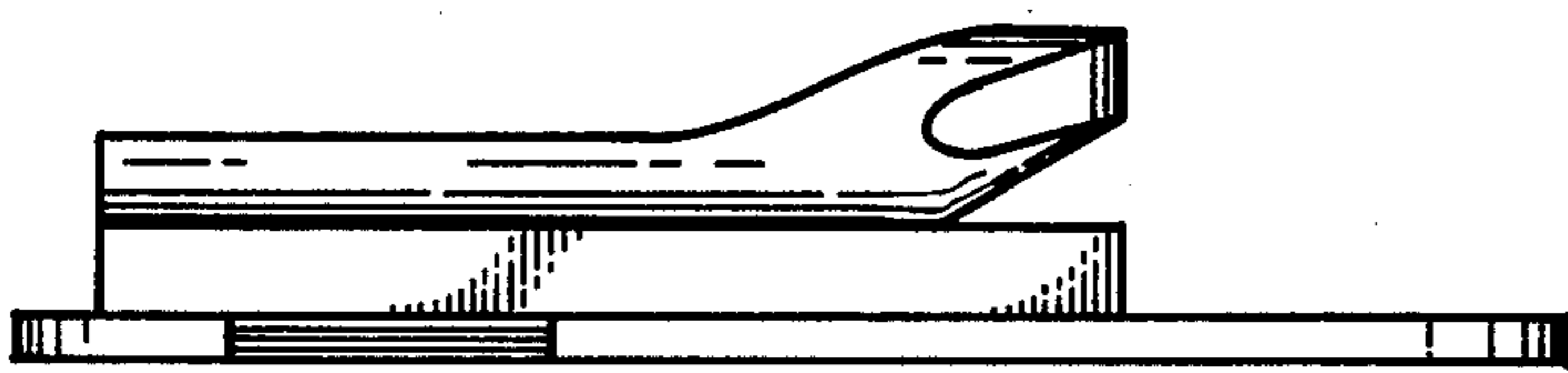


Fig. 2

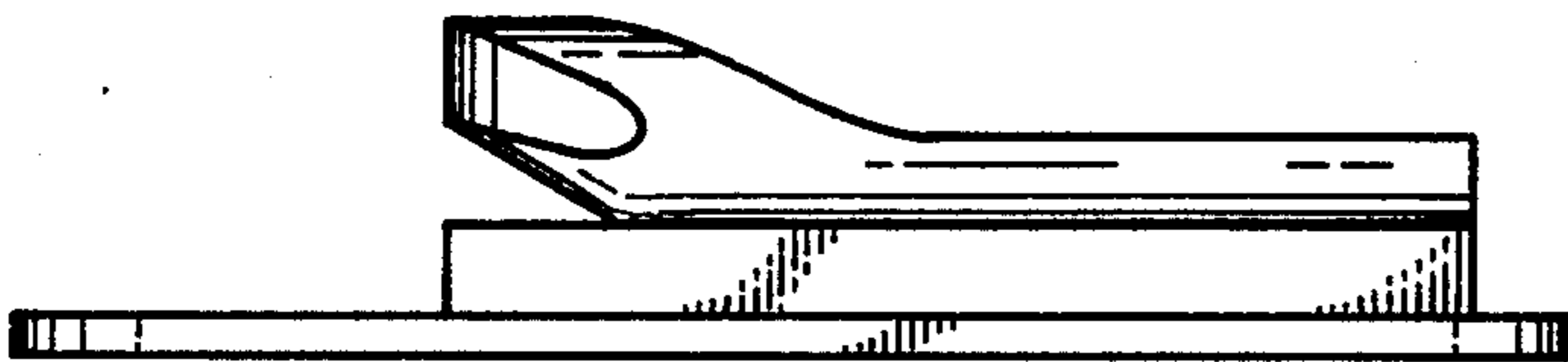


Fig. 3

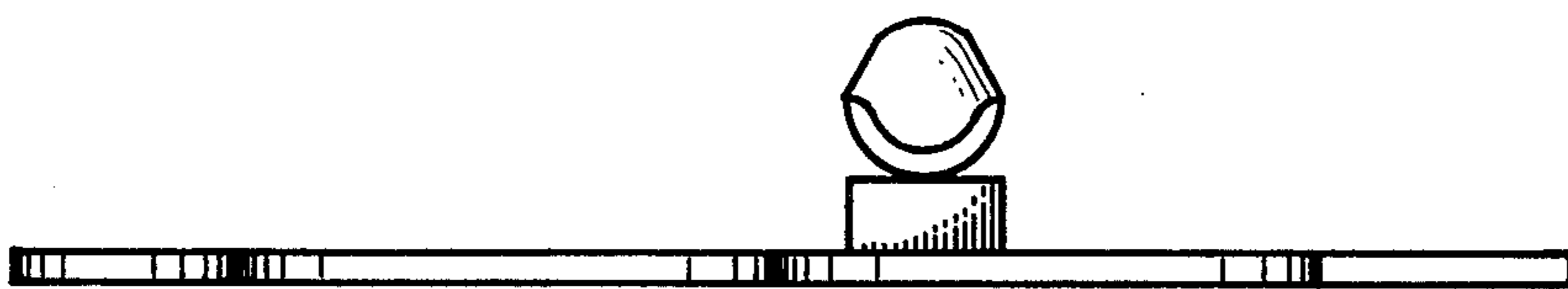


Fig. 4

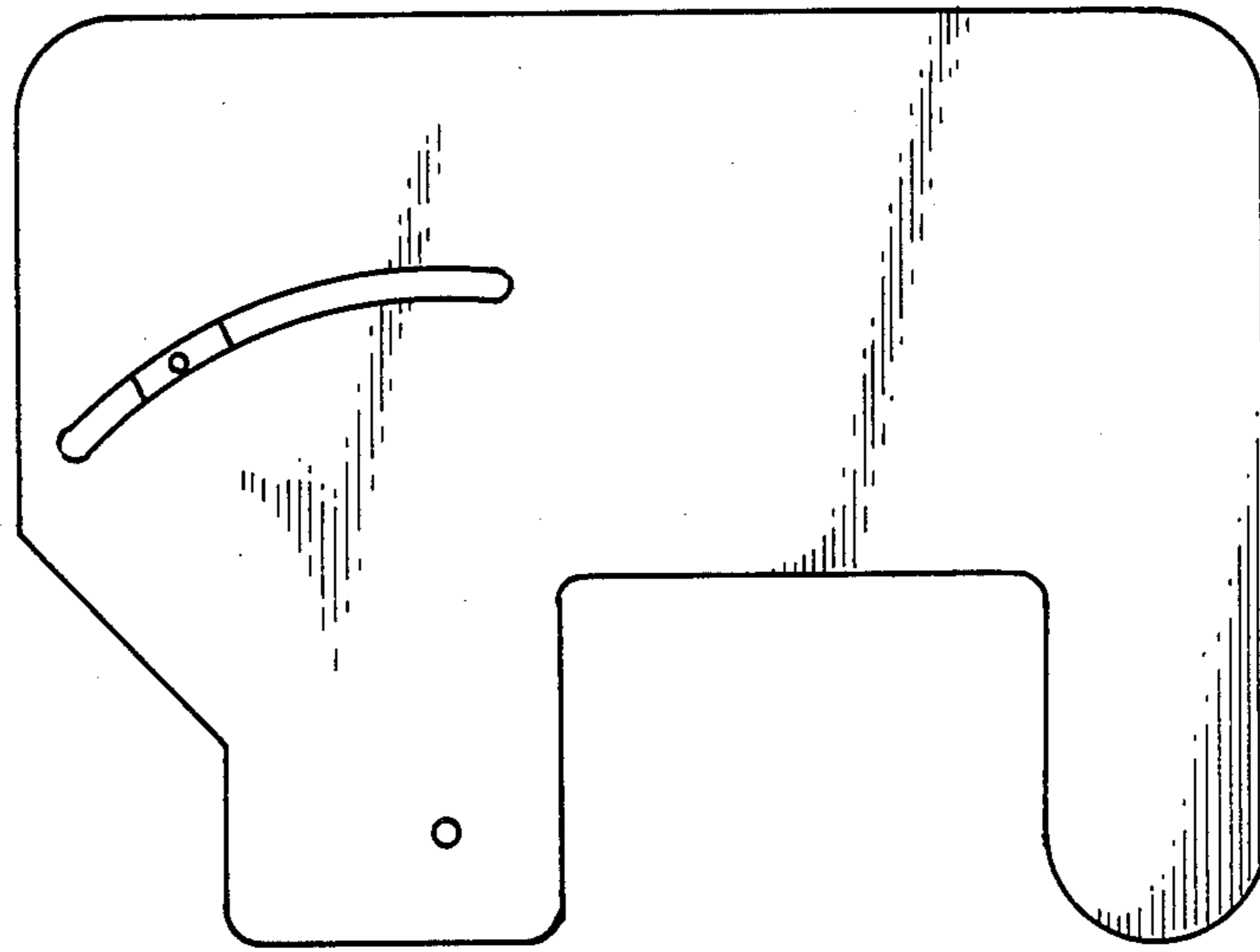


Fig. 5