

[54] PRESSURE RESPONSIVE CHAMBER FOR MONITORING PRESSURE IN AN INFUSION SET

[75] Inventors: Alan S. Balding, Abington; Nigel F. Carter, Grove, Wantage; Paul F. Frampton, Virginia Water; Vincent A. Rosso, Didcot, all of Great Britain

[73] Assignee: Vi-Tal Hospital Products, Ltd., Reading, England

[**] Term: 14 Years

[21] Appl. No.: 792,366

[22] Filed: Oct. 29, 1985

[30] Foreign Application Priority Data

May 1, 1985 [GB] United Kingdom 1026554
[52] U.S. Cl. D24/53; D24/51
[58] Field of Search D24/53, 51, 52; 604/249, 408, 118, 177, 67; 128/675

[56] References Cited

U.S. PATENT DOCUMENTS

D. 199,488 11/1964 Beall D24/53
D. 283,442 4/1986 Richmond D24/53

4,184,491 1/1980 McGannon 604/118 X
4,277,227 7/1981 Jenkins 604/118 X

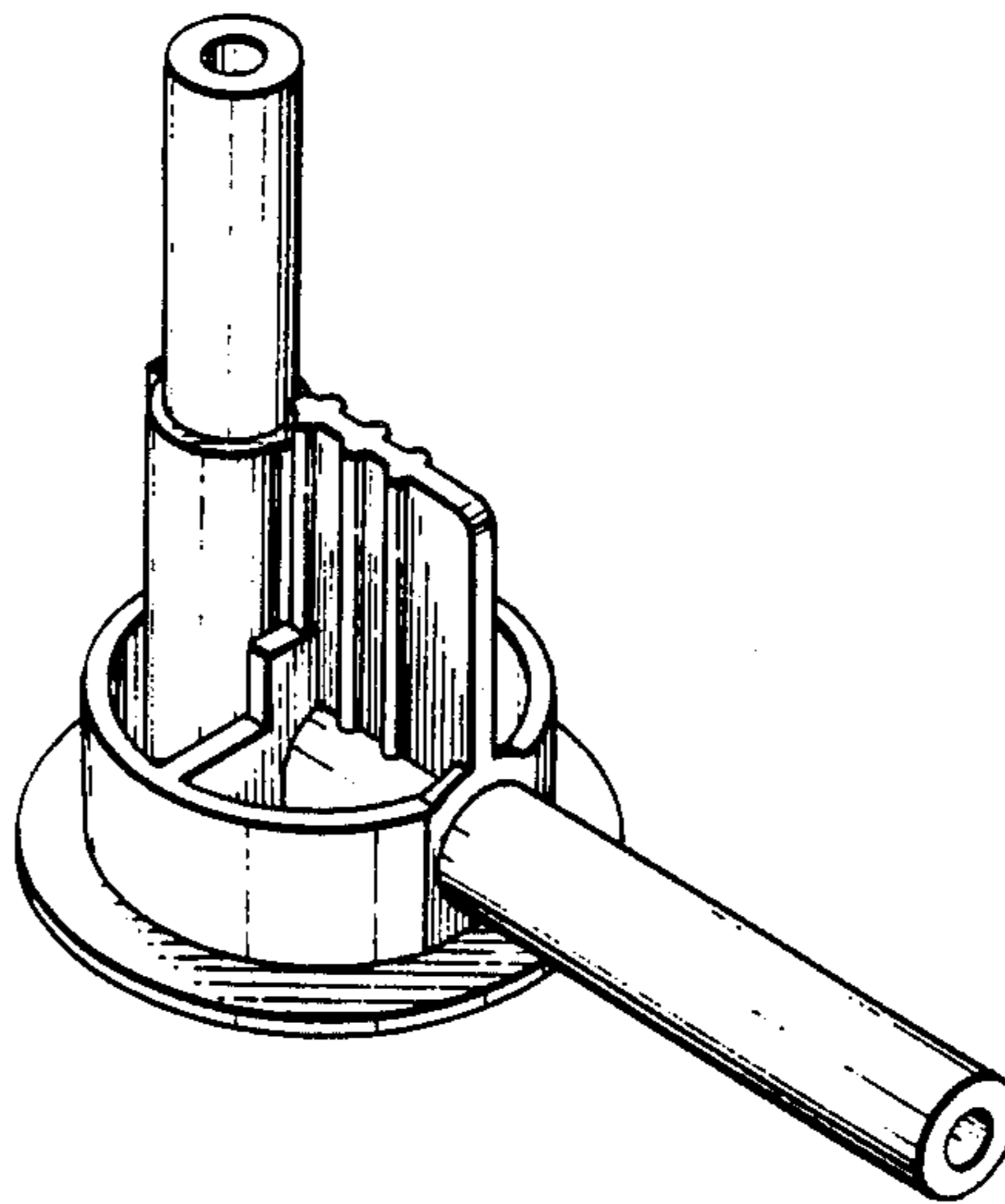
Primary Examiner—Wallace R. Burke
Assistant Examiner—Stella M. Reid
Attorney, Agent, or Firm—Jeffers, Hoffman & Niewyk

[57] CLAIM

The ornamental design for a pressure responsive chamber for monitoring pressure in an infusion set, as shown.

DESCRIPTION

FIG. 1 is a perspective view of a pressure responsive chamber for monitoring pressure in an infusion set, showing my new design;
FIG. 2 is a top plan view thereof;
FIG. 3 is a side elevational view thereof;
FIG. 4 is a bottom plan view thereof;
FIG. 5 is a rear elevational view thereof;
FIG. 6 is a cross-sectional view thereof, taken on line VI—VI of FIG. 2;
FIG. 7 is a cross-sectional view thereof, taken on line VII—VII of FIG. 2;
FIG. 8 is a cross-sectional view thereof, taken on line VIII—VIII of FIG. 2; and
FIG. 9 is a cross-sectional view thereof, taken on line IX—IX of FIG. 2.



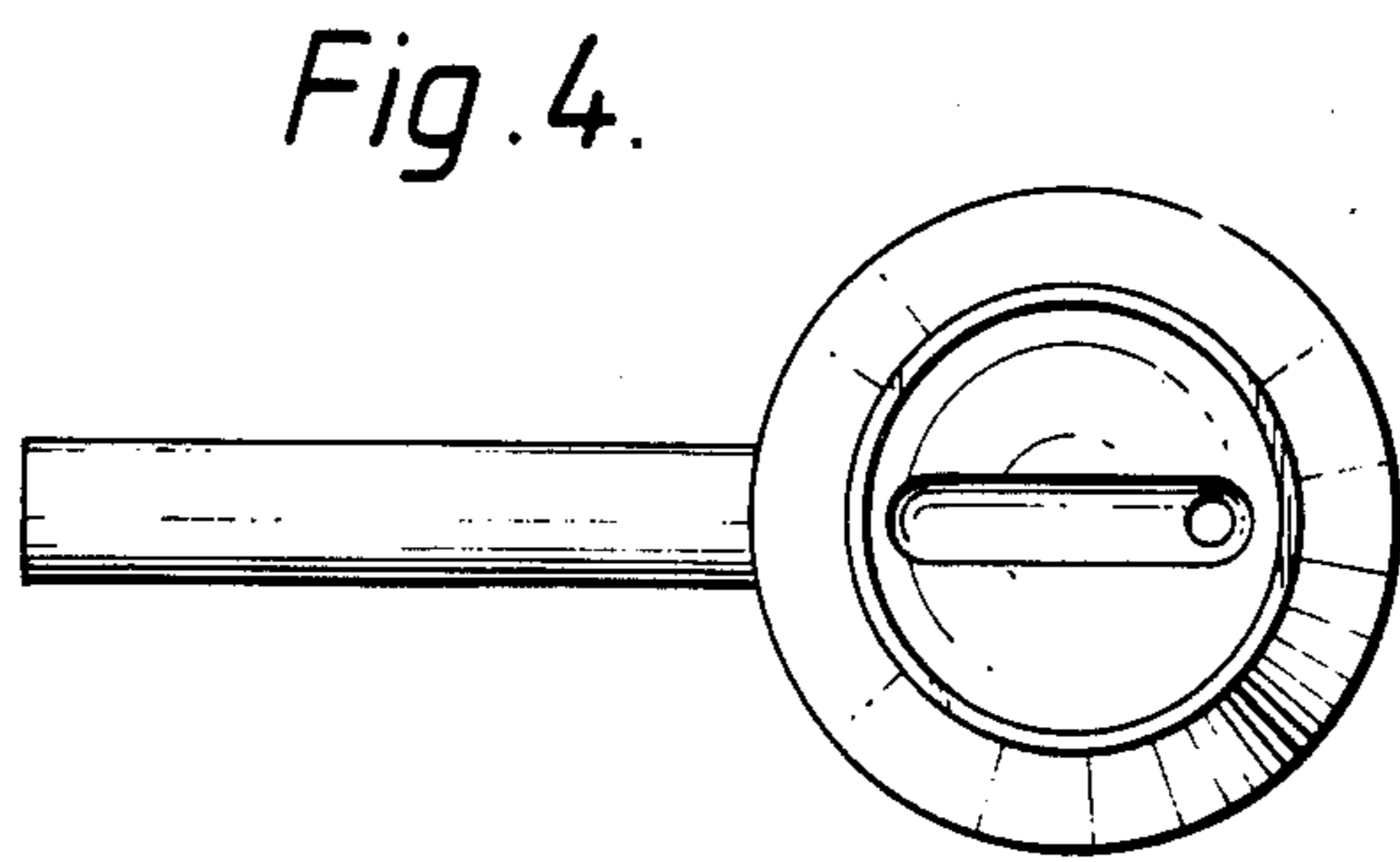
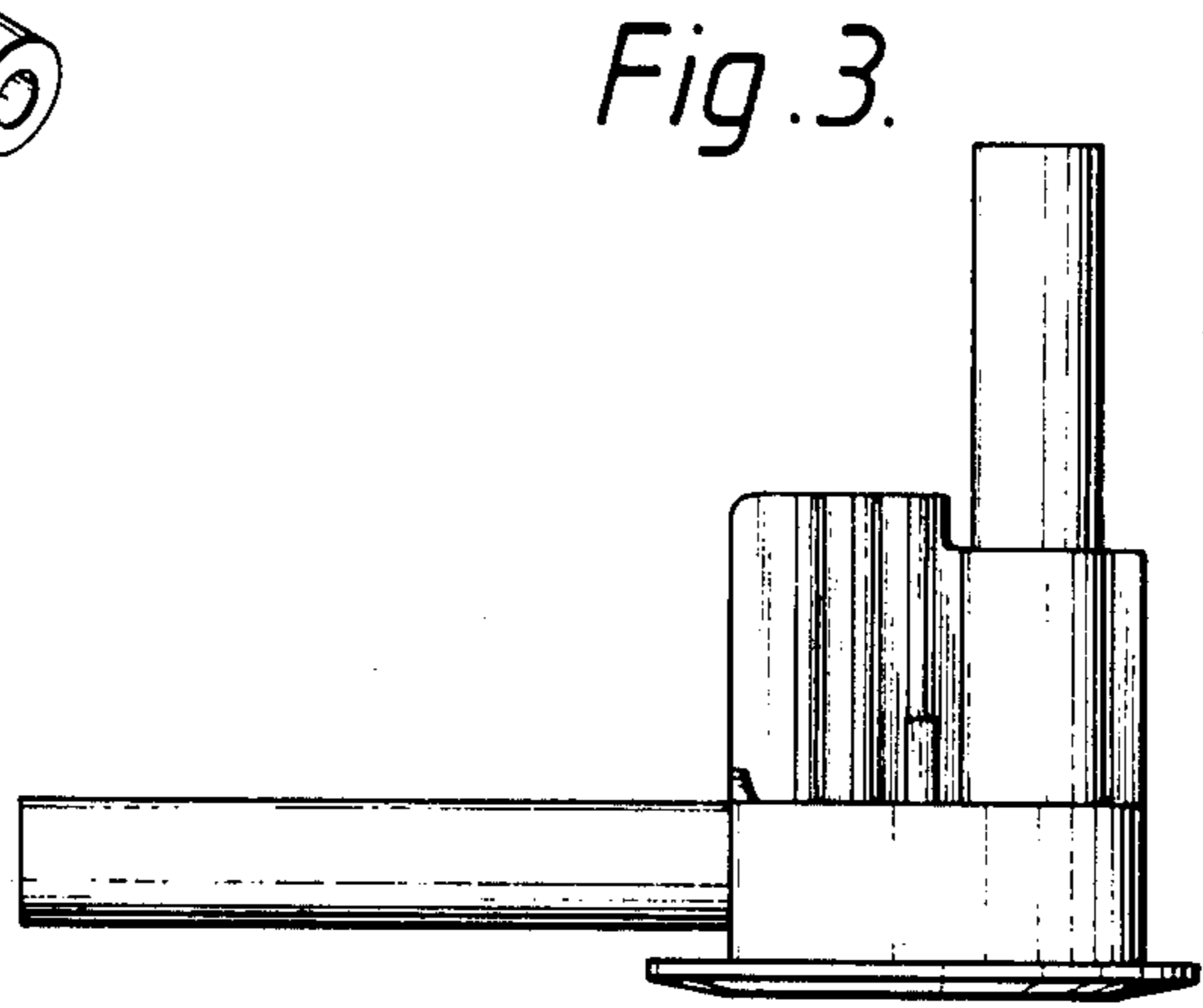
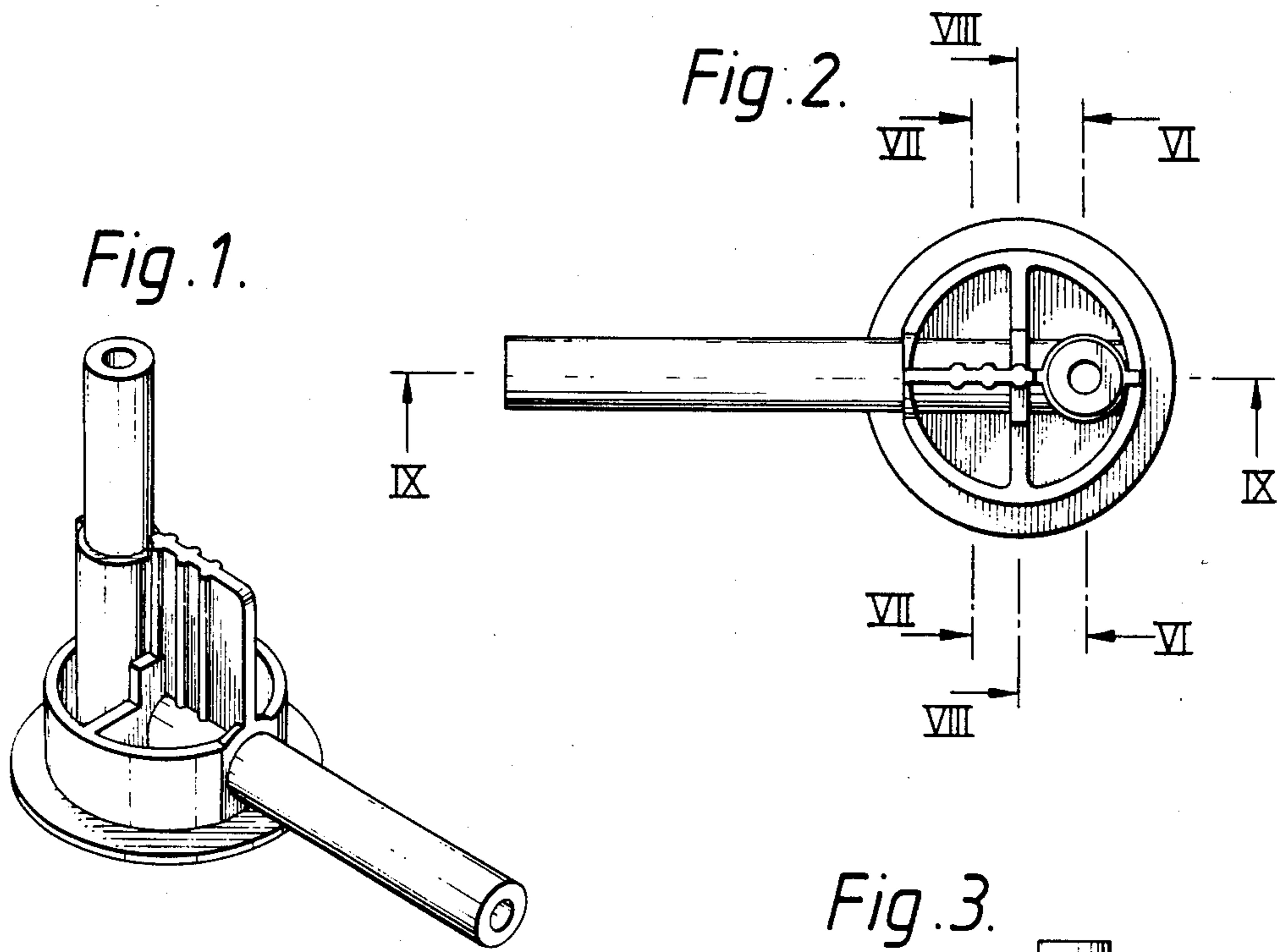


Fig. 5.

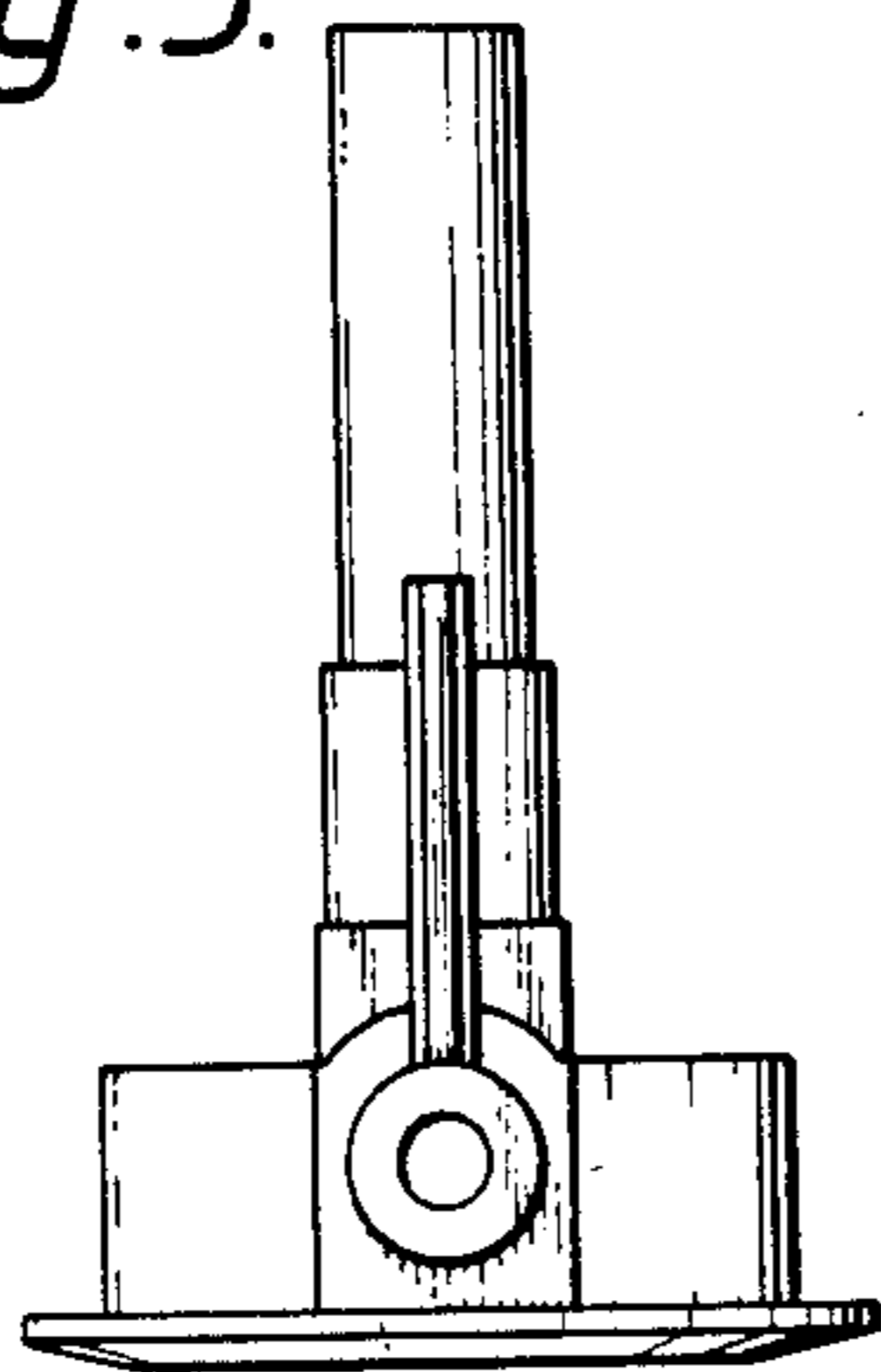


Fig. 6.

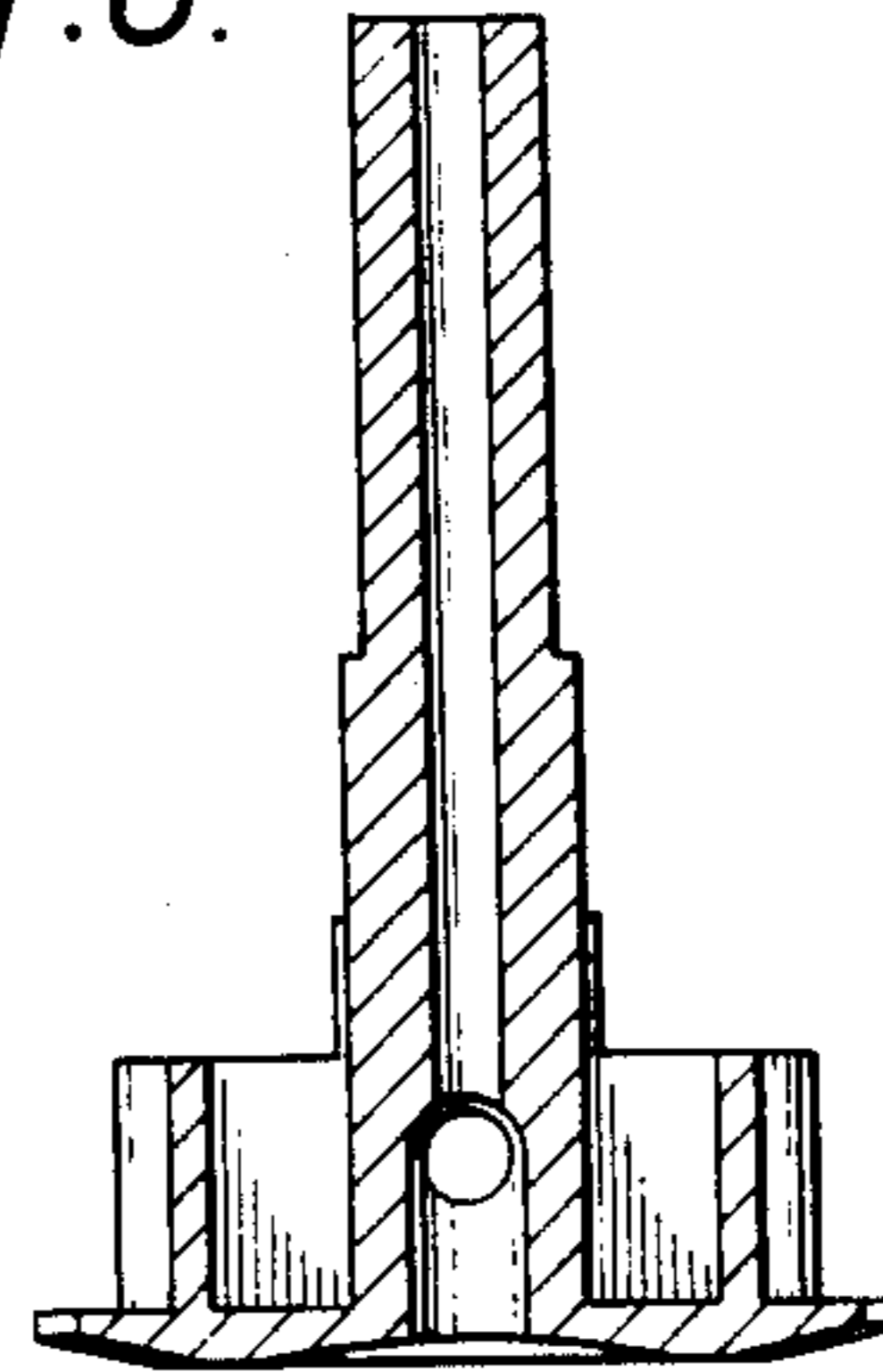


Fig. 7.

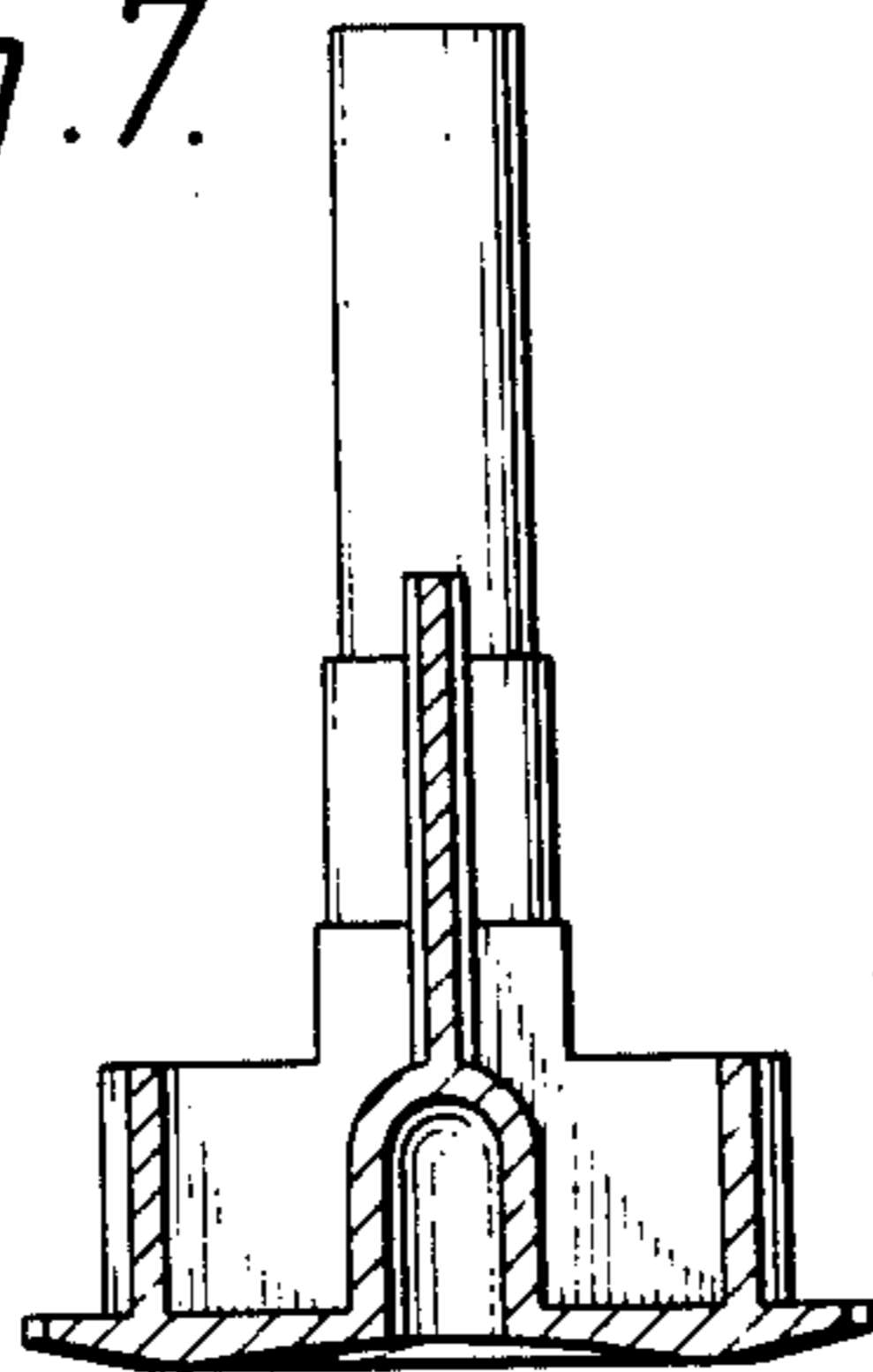


Fig. 8.

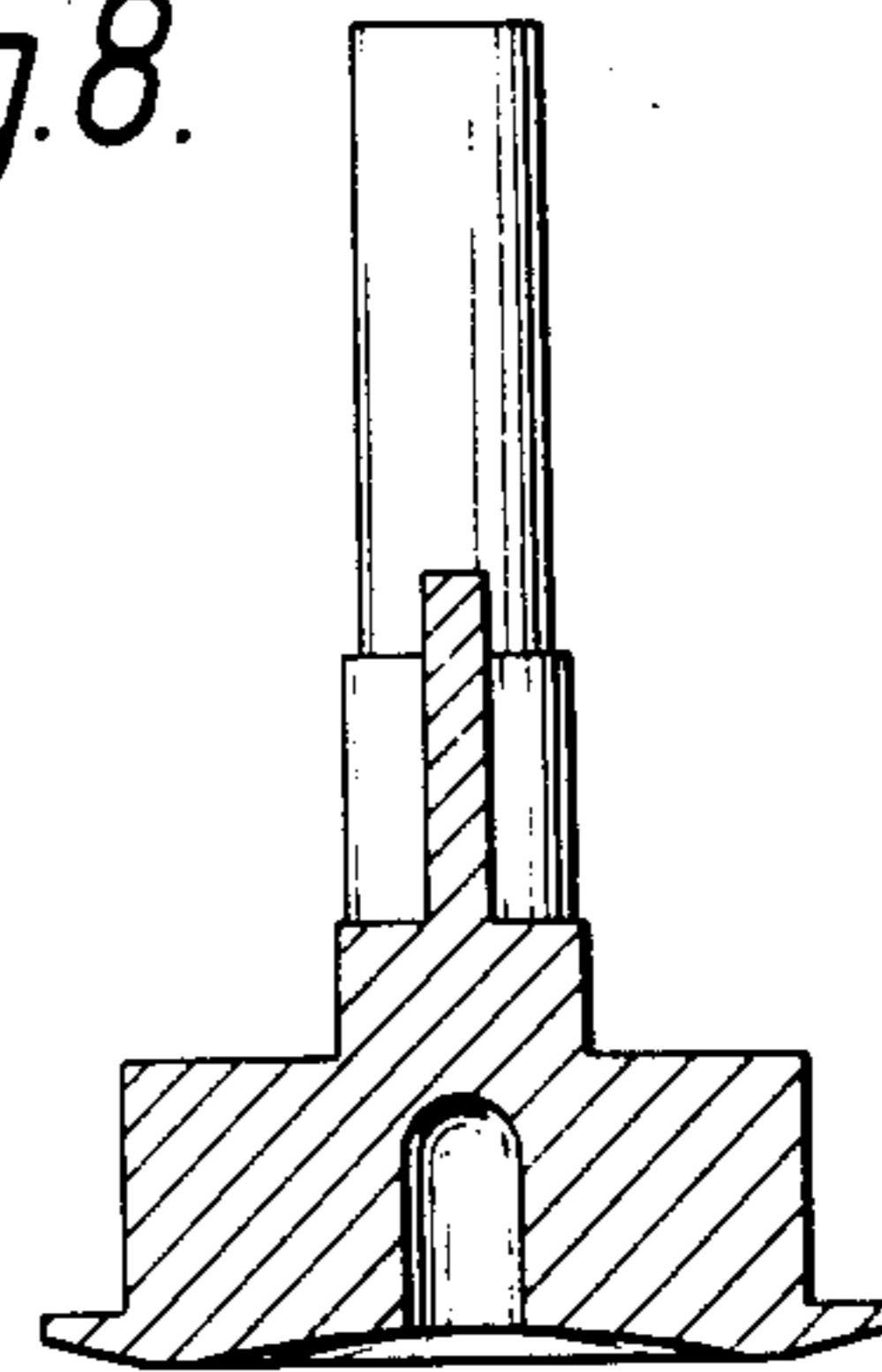


Fig. 9.

