

[54] **BREAST PUMP**

4,583,970 4/1986 Kirchner ..... 604/74

[75] **Inventor: Yasuo Morifuji, Osaka, Japan**

**FOREIGN PATENT DOCUMENTS**

[73] **Assignee: Jex Co., Ltd., Osaka, Japan**

2127293 4/1984 United Kingdom ..... 604/74

[\*\*] **Term: 14 Years**

*Primary Examiner*—Wallace R. Burke

*Assistant Examiner*—Stella M. Reid

*Attorney, Agent, or Firm*—Birch, Stewart, Kolasch, & Birch

[21] **Appl. No.: 856,145**

[22] **Filed: Apr. 21, 1986**

[52] **U.S. Cl. .... D24/51**

[58] **Field of Search ..... D24/51, 47, 56; 604/74, 604/75, 73**

[57] **CLAIM**

The ornamental design for a breast pump, as shown.

**DESCRIPTION**

[56] **References Cited**

**U.S. PATENT DOCUMENTS**

D. 288,004	1/1987	Blachly .....	D24/51
2,419,795	4/1947	Saunders .....	604/74
3,782,385	1/1974	Loyd .....	604/74
4,323,067	4/1982	Adams .....	604/74

FIG. 1 is a perspective view of a breast pump showing my new design;

FIG. 2 is a perspective view thereof, opposite that shown in FIG. 1;

FIG. 3 is a front elevational view thereof;

FIG. 4 is a rear elevational view thereof; and

FIG. 5 is a exploded perspective view thereof.

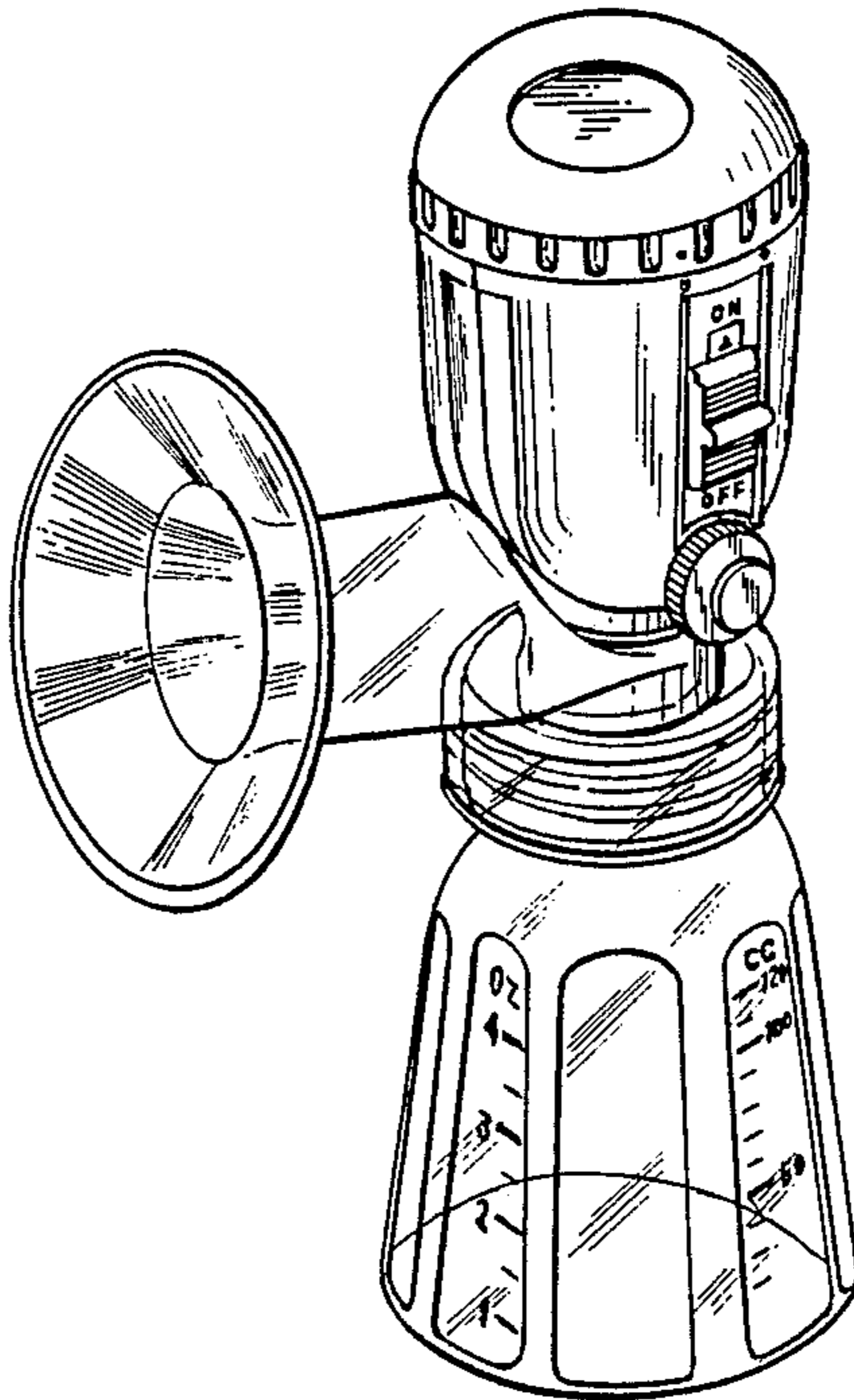


Fig. 1

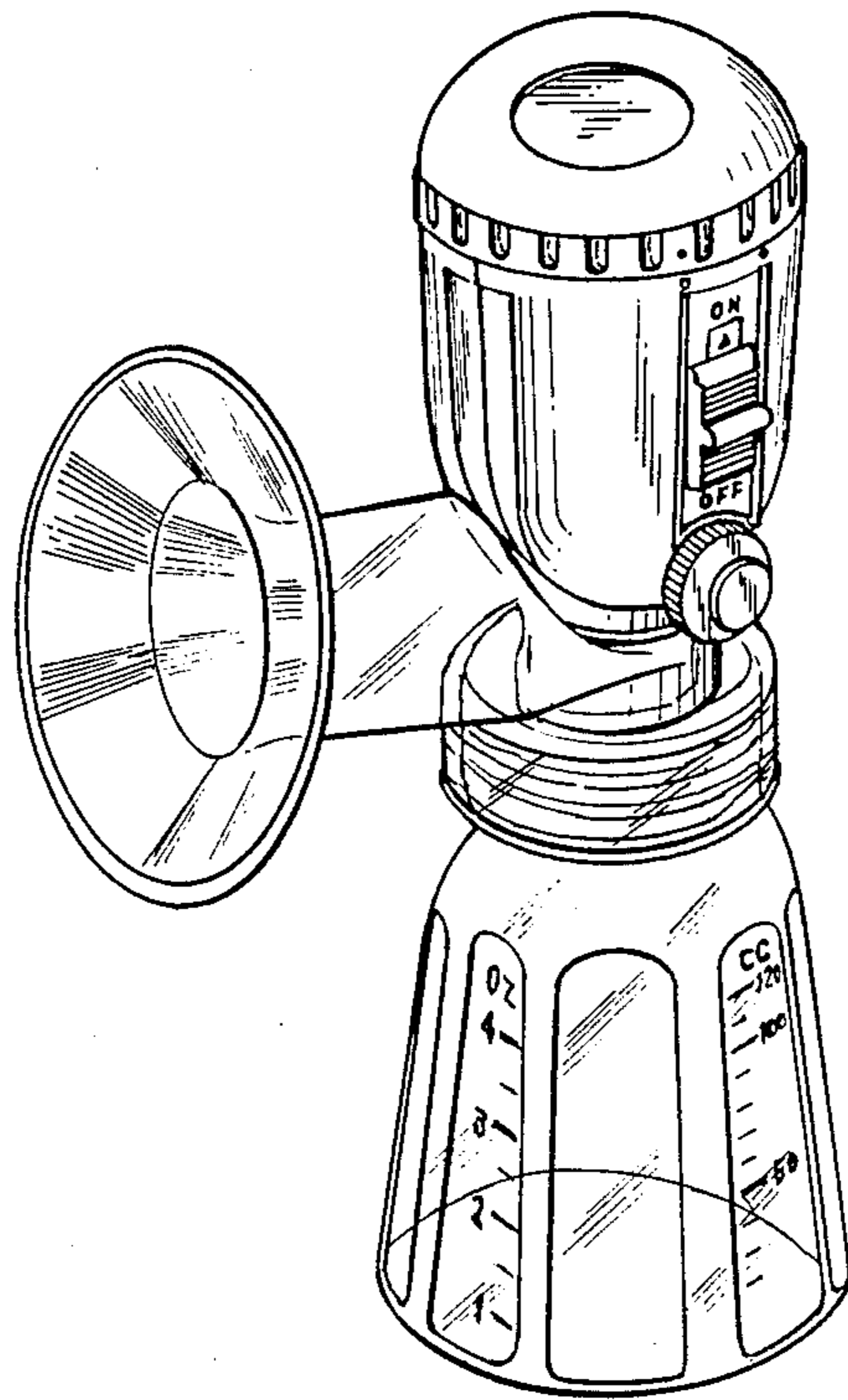
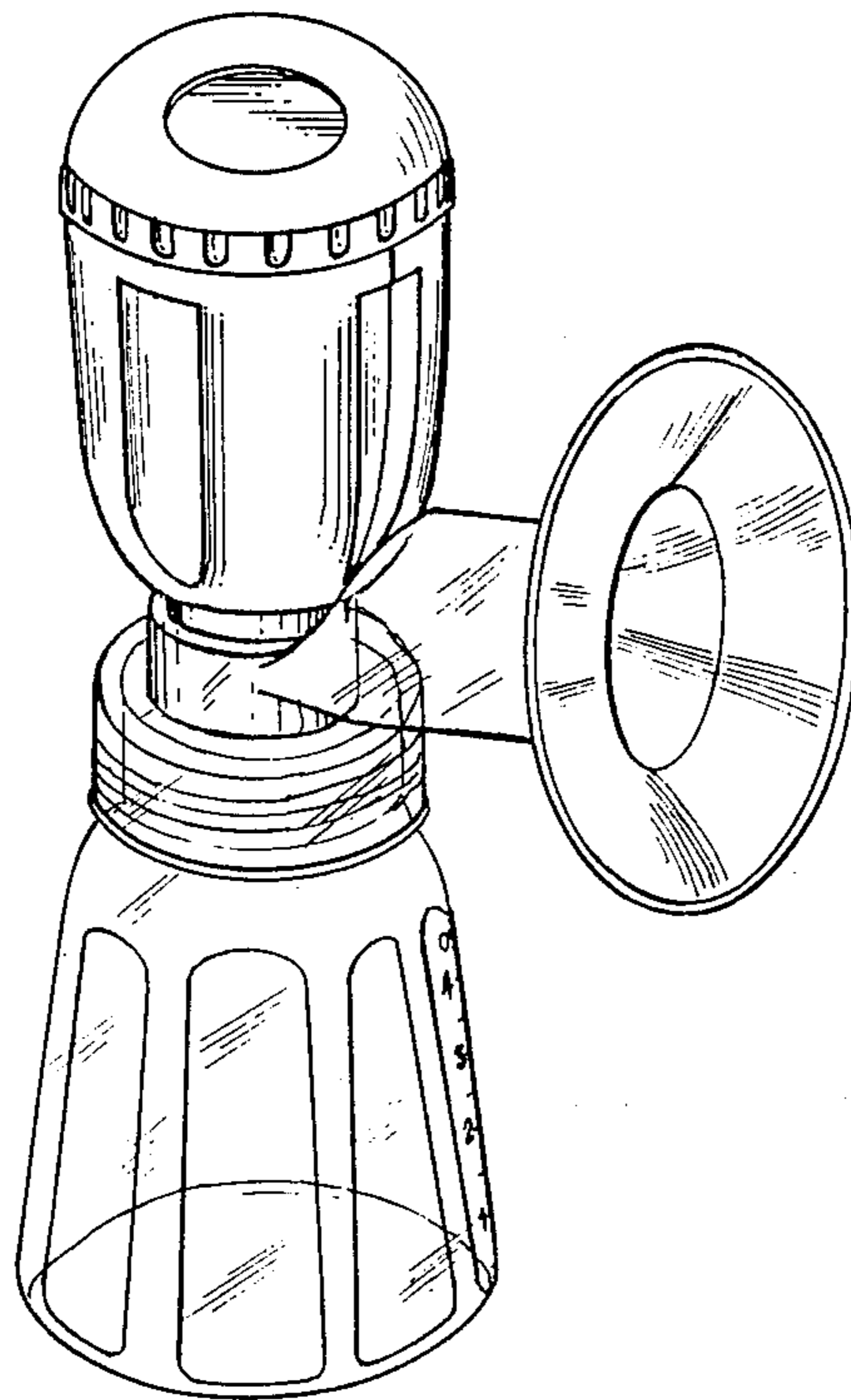
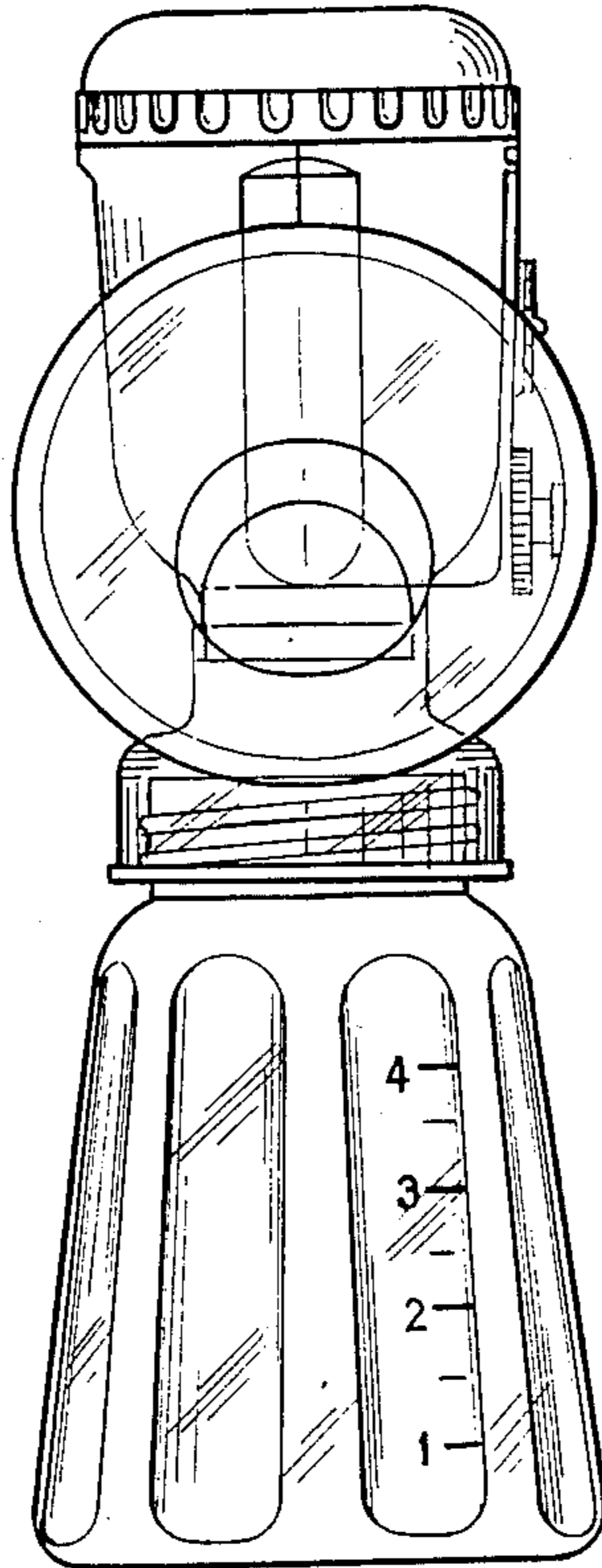


Fig. 2



*Fig. 3*



*Fig. 4*

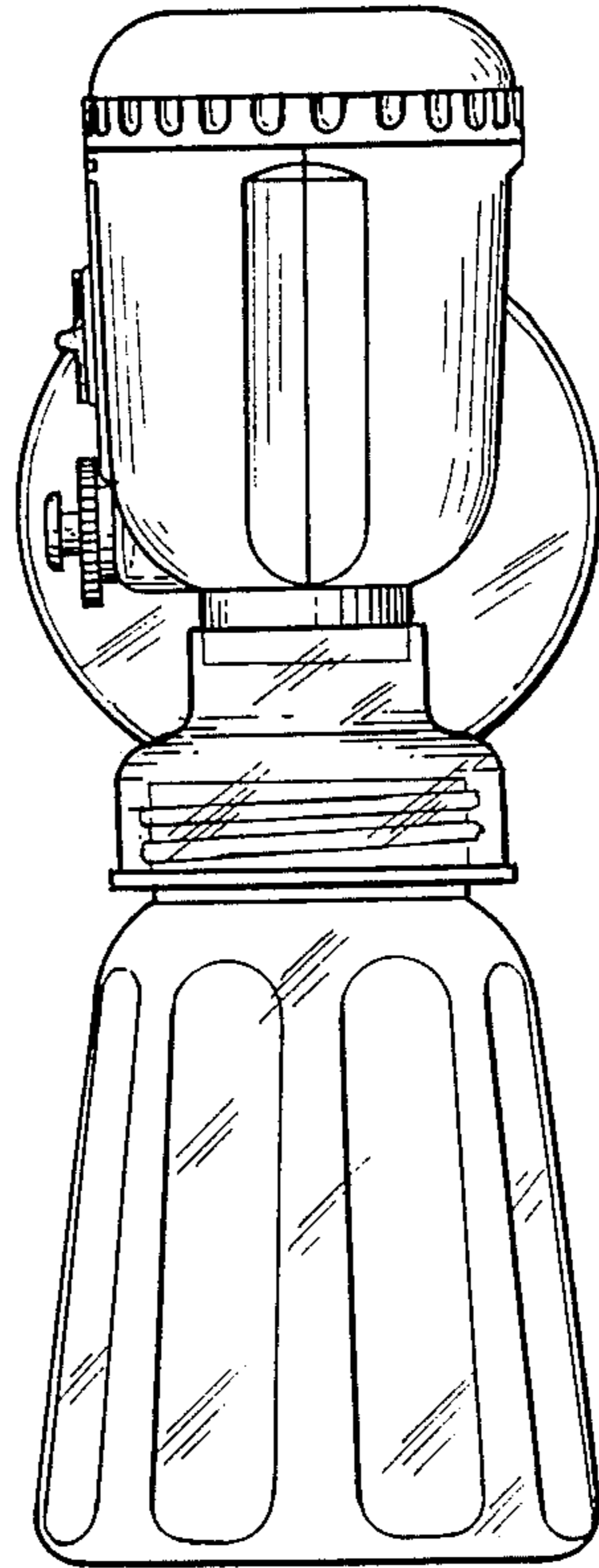


Fig. 5

