

# United States Patent [19]

James

[11] Patent Number: Des. 299,535

[45] Date of Patent: \*\* Jan. 24, 1989

[54] BABY BOTTLE SUPPORT

[76] Inventor: Carol James, 404 NW. Pleasant View Dr., Grants Pass, Oreg. 97526

[\*\*] Term: 14 Years

[21] Appl. No.: 857,814

[22] Filed: Apr. 28, 1986

[52] U.S. Cl. .... D24/48; D7/70

[58] Field of Search ..... D24/48, 47; 248/102, 248/103, 104, 105, 106; D7/70, 71; D9/455

[56] References Cited

### U.S. PATENT DOCUMENTS

D. 147,493	9/1947	D'ver	.....	D9/455
D. 182,353	3/1958	Brandeis	.....	D7/70
D. 188,398	7/1960	Bissell, Jr.	.....	D7/70
1,249,341	12/1917	Cropsey	.....	248/139

2,342,051	2/1944	Hyams	.....	248/106
2,348,816	5/1944	Hyams	.....	248/106
2,397,059	3/1946	Swank	.....	D24/48 X
2,807,430	9/1957	Medlock	.....	248/106
2,948,499	8/1960	Manny	.....	D24/48 X
3,286,969	11/1966	Frescobaldi	.....	248/359

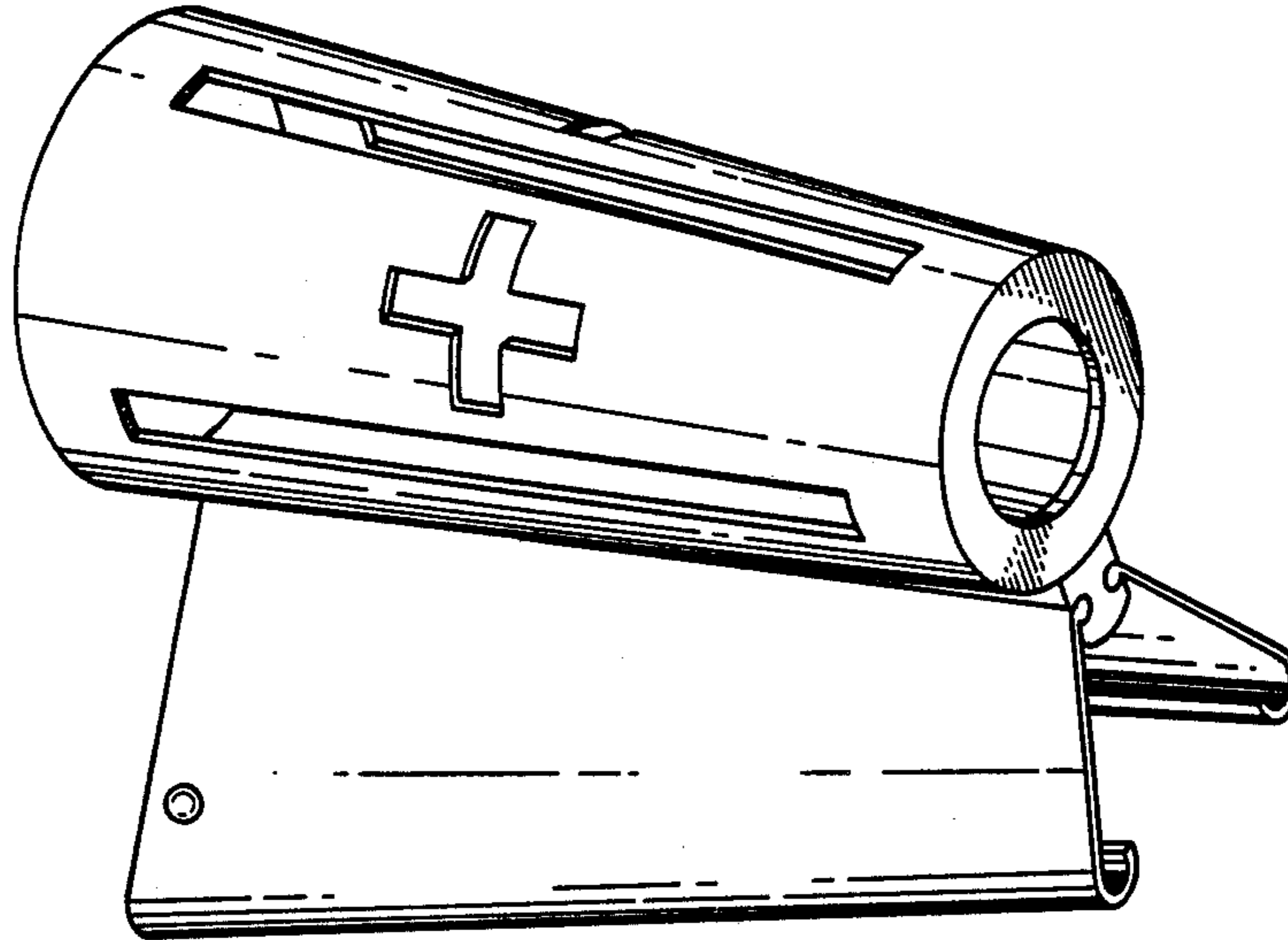
Primary Examiner—Wallace R. Burke  
Assistant Examiner—Stella M. Reid  
Attorney, Agent, or Firm—Terry M. Gernstein

### [57] CLAIM

The ornamental design for a baby bottle support, substantially as shown and described.

### DESCRIPTION

FIG. 1 is a top right perspective view of a baby bottle support, showing my new design;  
FIG. 2 is a top perspective view thereof;  
FIG. 3 is a bottom perspective view thereof; and  
FIG. 4 is a side elevational view thereof.



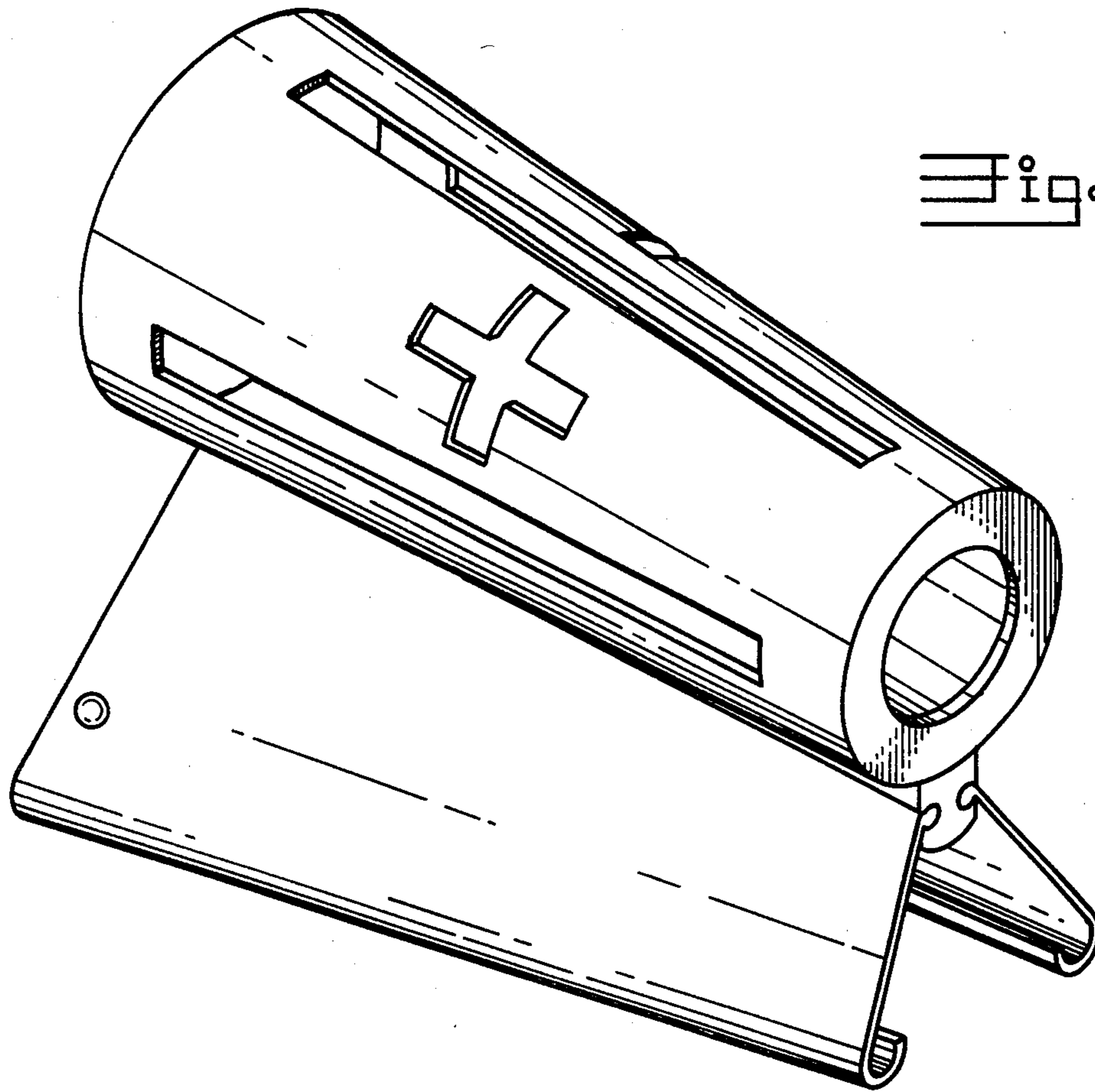


Fig. 1

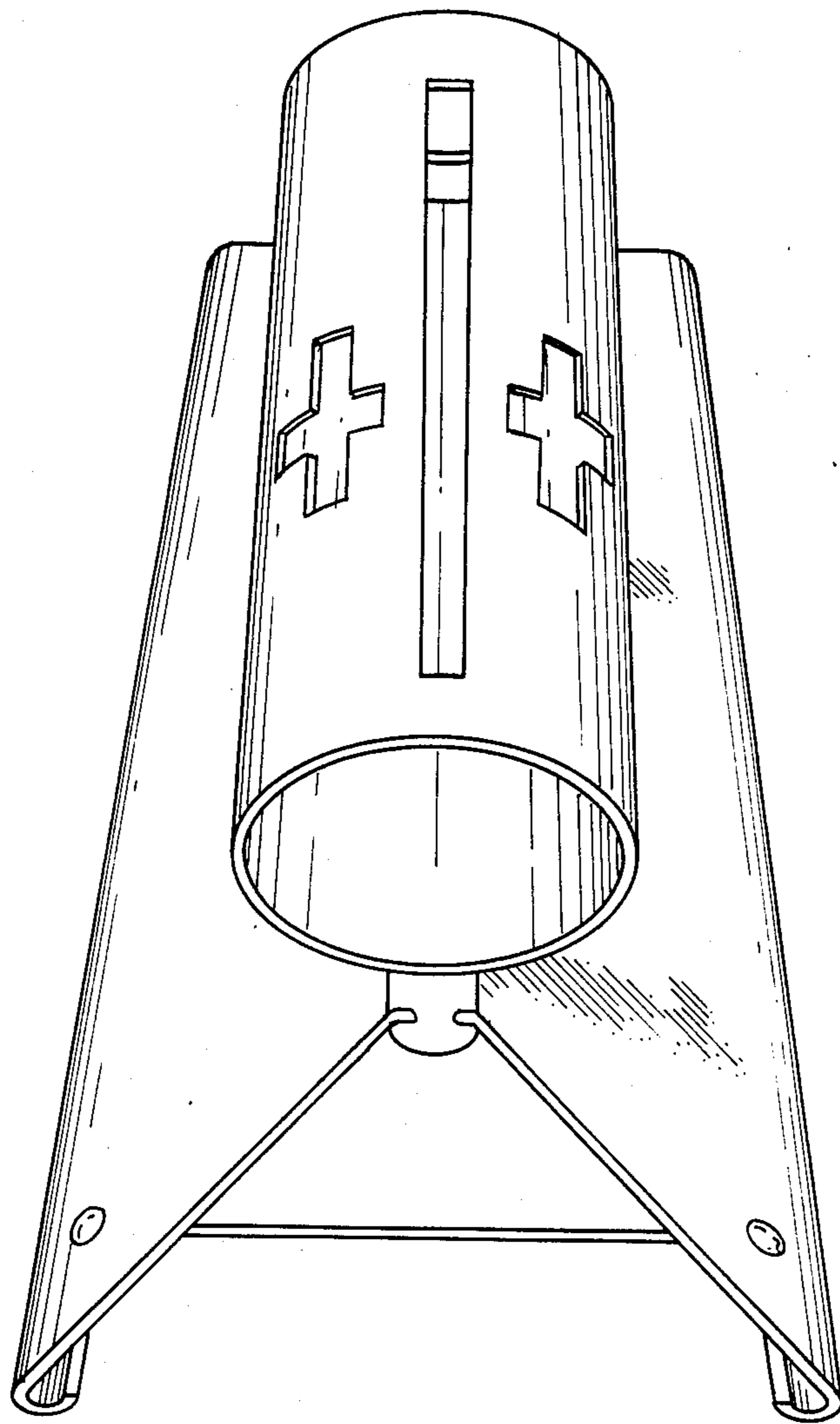


Fig. 2

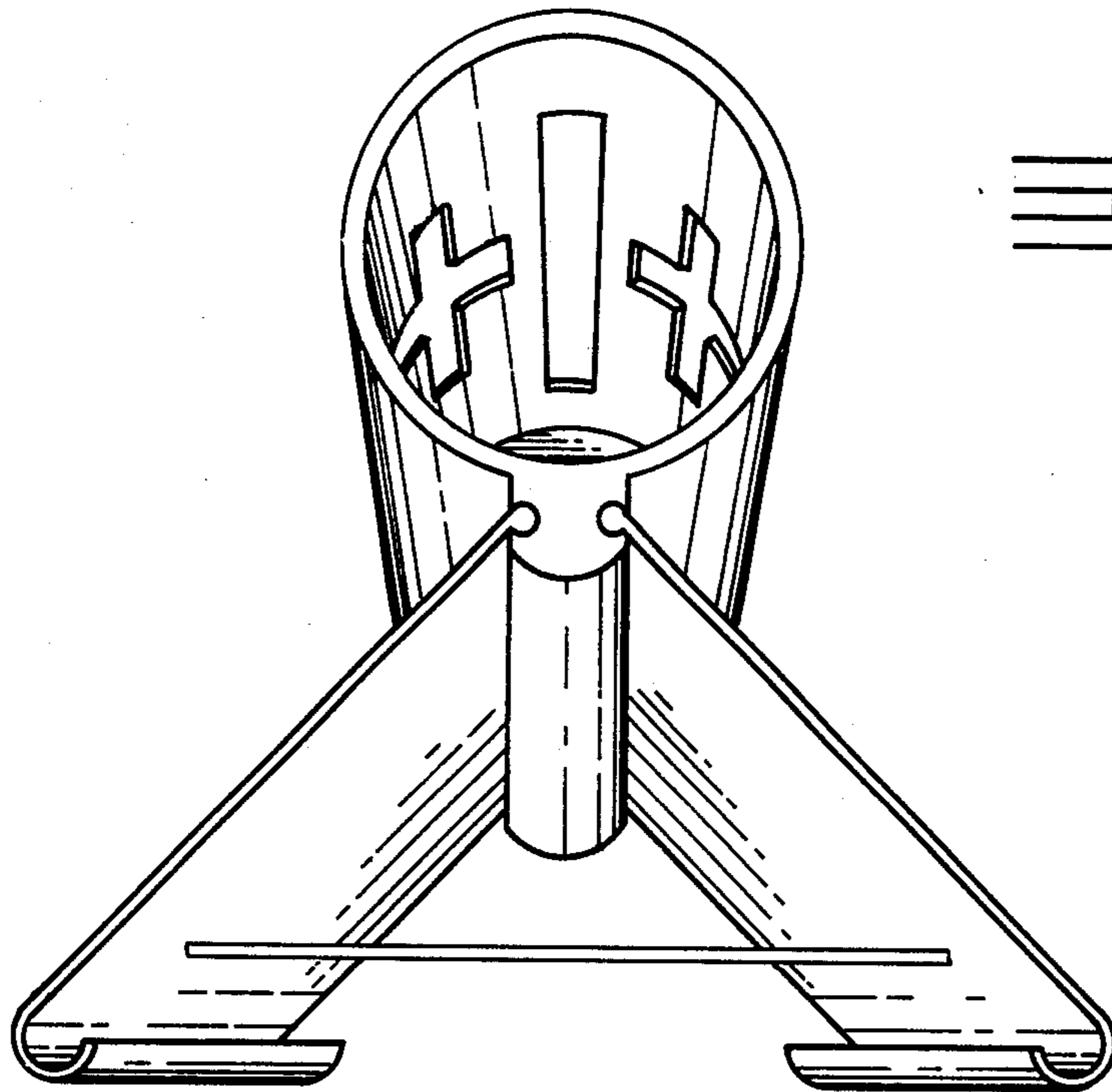


Fig. 3

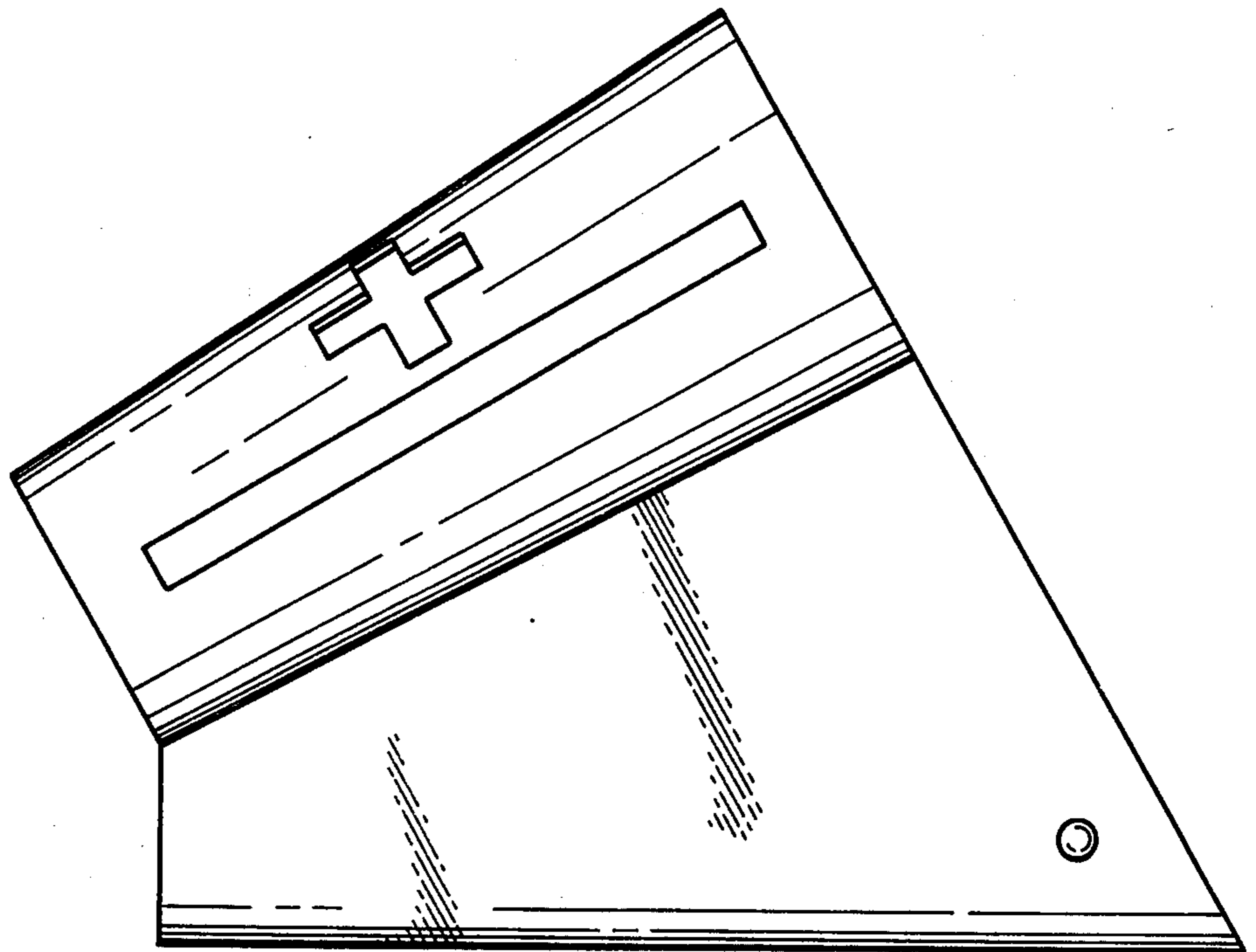


Fig. 4