

[54] COMBINED PACIFIER COVER AND RETAINER

[76] Inventor: Daniel Mastropierro, 73 Clifton Ter., Weehawken, N.J. 07087

[**] Term: 14 Years

[21] Appl. No.: 873,211

[22] Filed: Jun. 5, 1986

[52] U.S. Cl. D24/45; D24/47

[58] Field of Search D24/45, 46, 47; 128/360, 359; 215/11.6

[56] References Cited

U.S. PATENT DOCUMENTS

D. 243,366	2/1977	Lybe et al.	D24/45
D. 275,993	10/1984	Ryan et al.	D24/46 X
2,579,194	12/1951	Kronish	215/11.6
2,860,639	11/1958	Hoover	D24/45 X
4,493,324	1/1985	Johnston	128/360
4,526,274	7/1985	Kesselring et al.	215/11.6 X

Primary Examiner—Wallace R. Burke
Assistant Examiner—Stella M. Reid
Attorney, Agent, or Firm—Siegmar Silber

[57] CLAIM

The ornamental design for a combined pacifier cover and retainer, as shown.

DESCRIPTION

FIG. 1 is a perspective view of a combined pacifier cover and retainer, showing my new design, with the retainer in closed position;

FIG. 2 is a top plan view thereof;

FIG. 3 is a bottom plan view thereof;

FIG. 4 is a front elevational view thereof;

FIG. 5 is a rear elevational view thereof;

FIG. 6 is a side elevational view thereof;

FIG. 7 is a top plan view thereof, with the retainer in open position;

FIG. 8 is a bottom plan view thereof;

FIG. 9 is a front elevational view thereof;

FIG. 10 is a rear elevational view thereof; and

FIG. 11 is a side elevational view thereof.

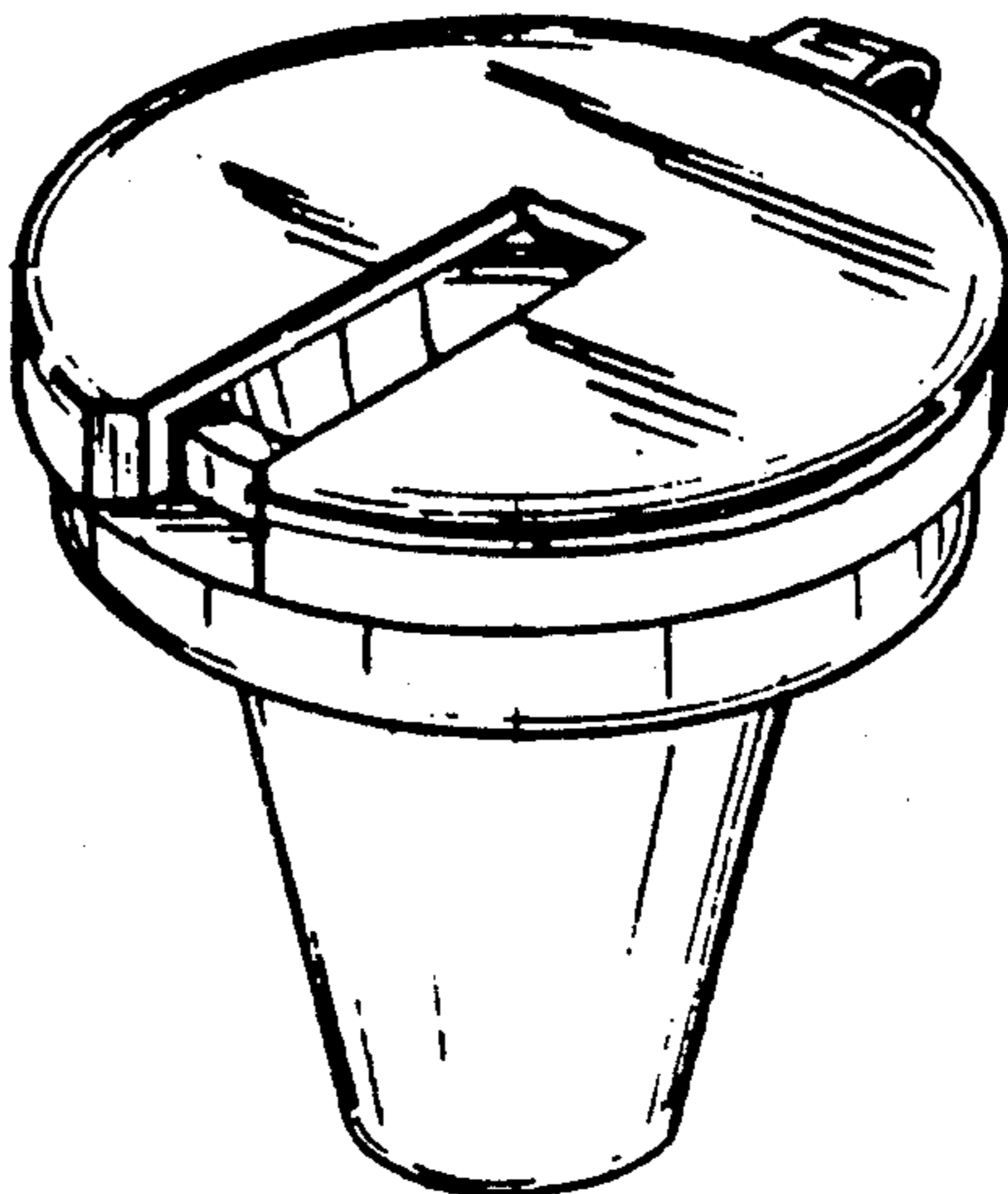


FIG-1

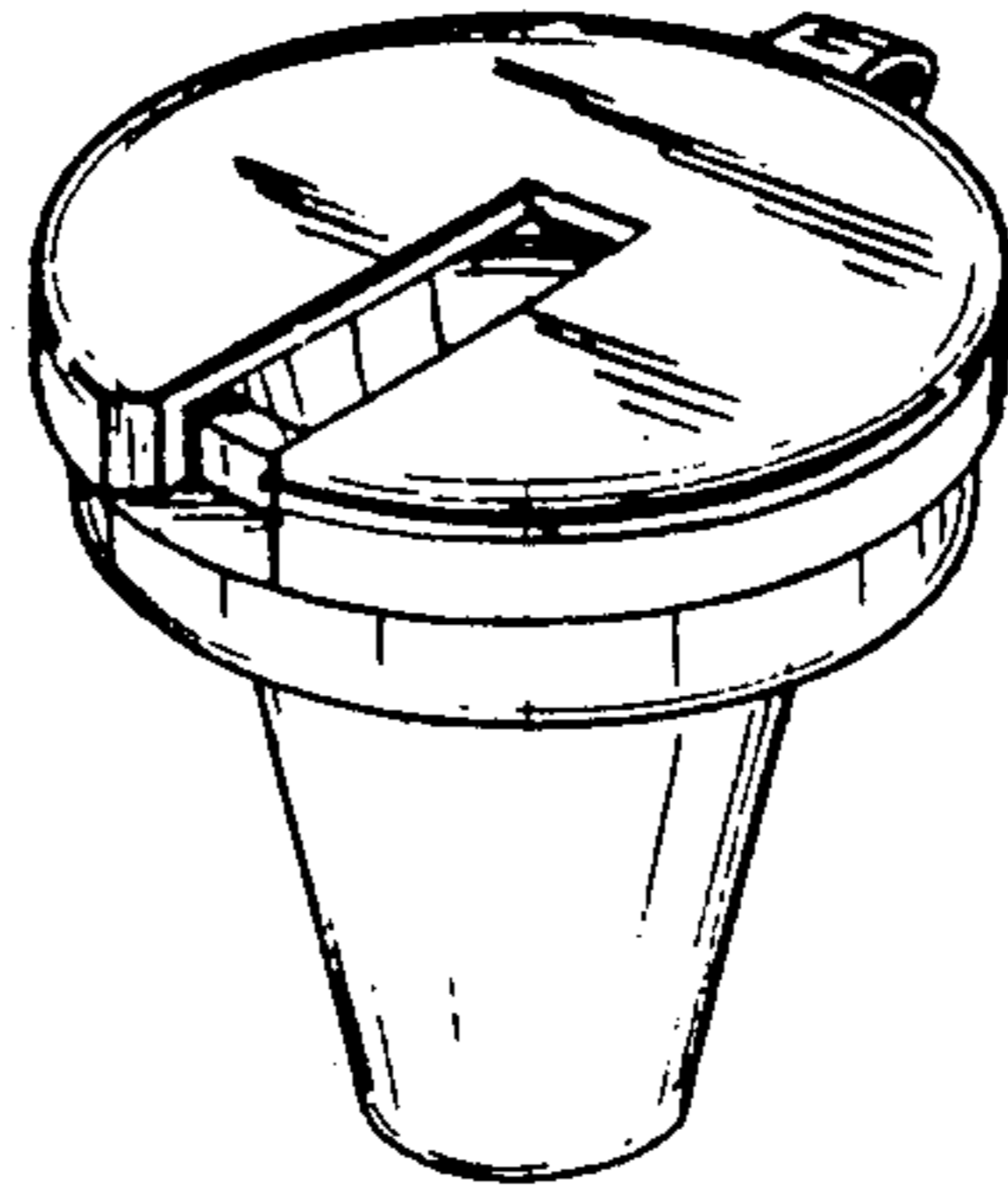


FIG-2

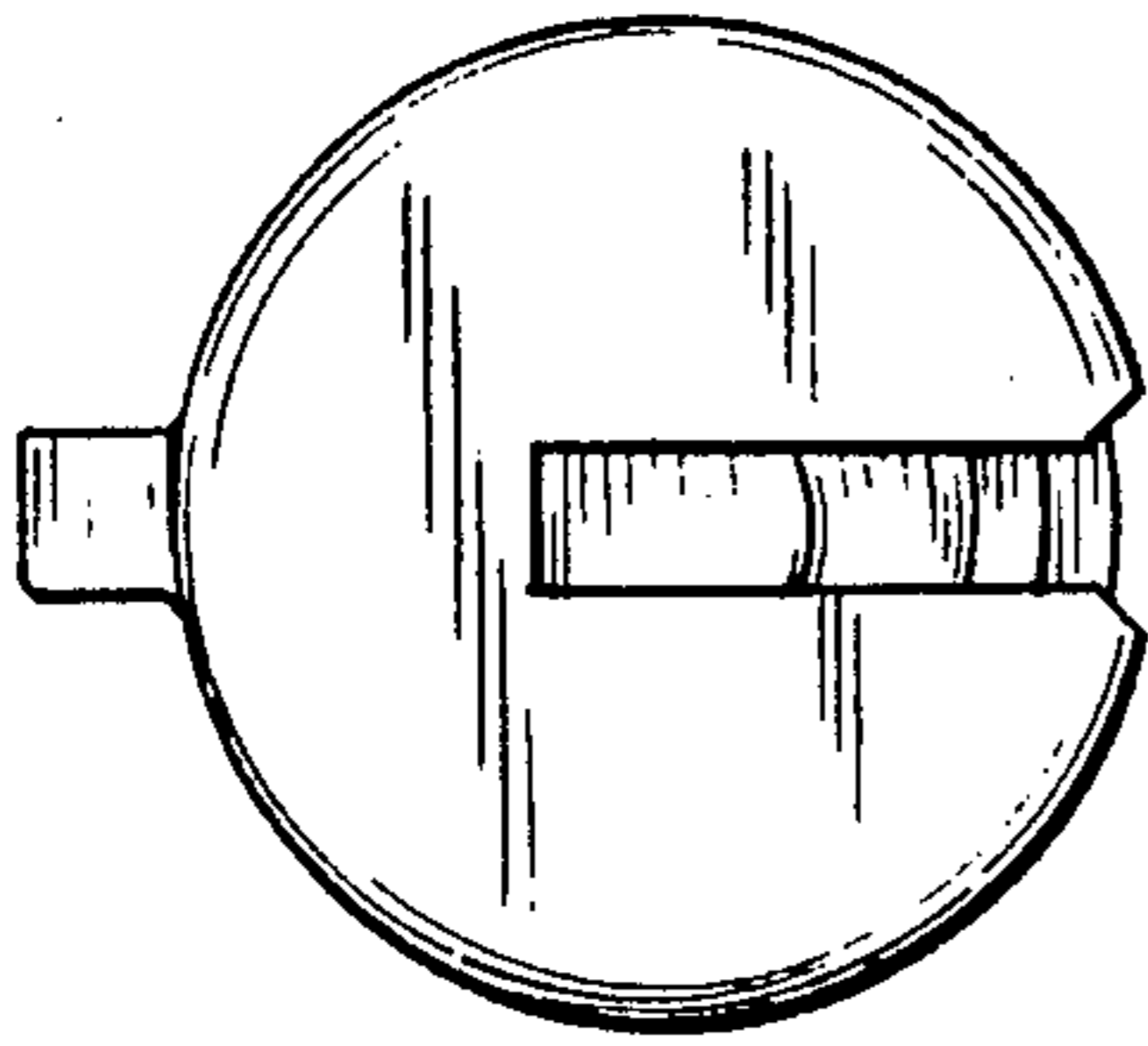


FIG-3

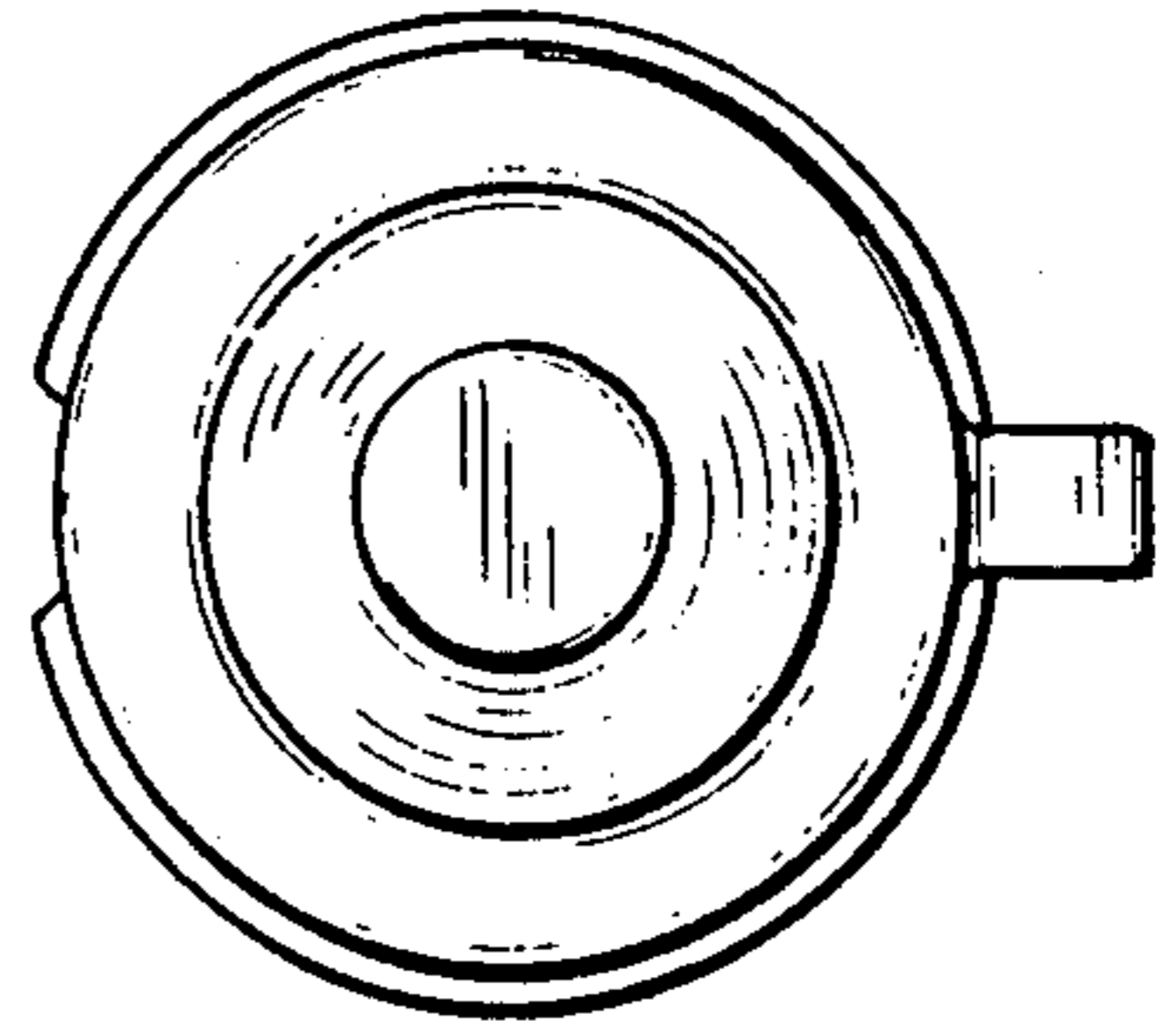


FIG-4

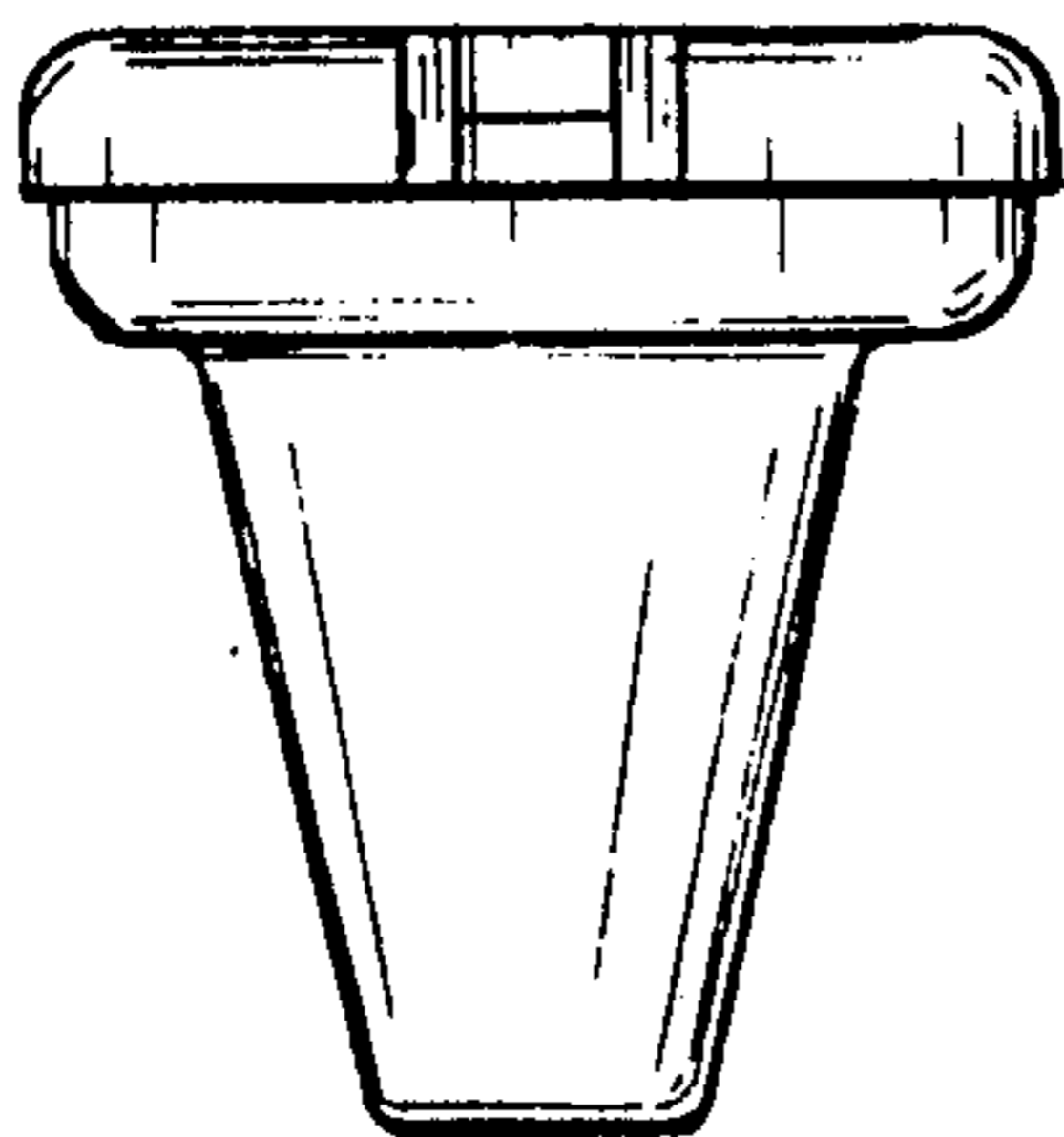


FIG-5

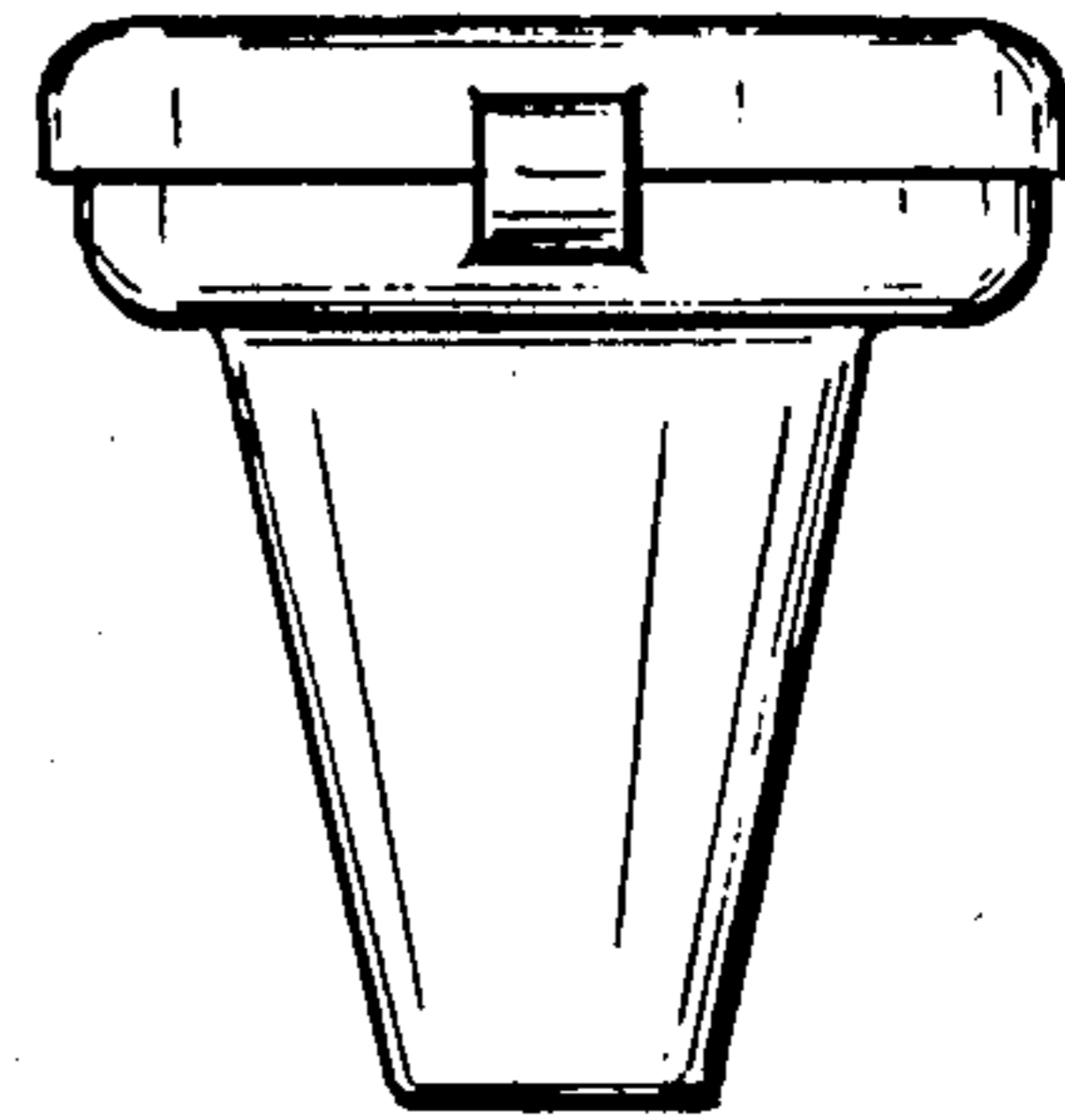


FIG-6

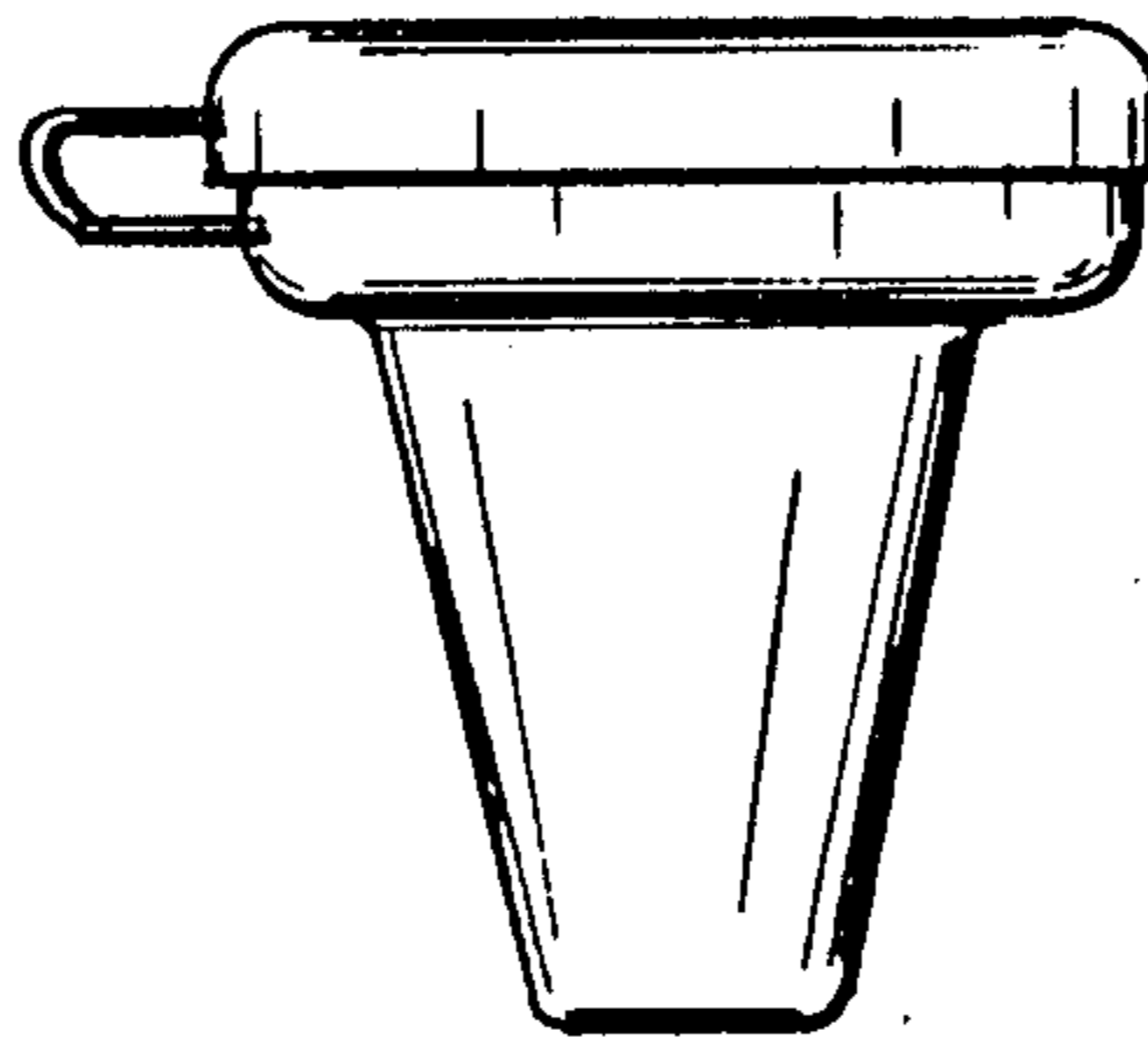


FIG-7

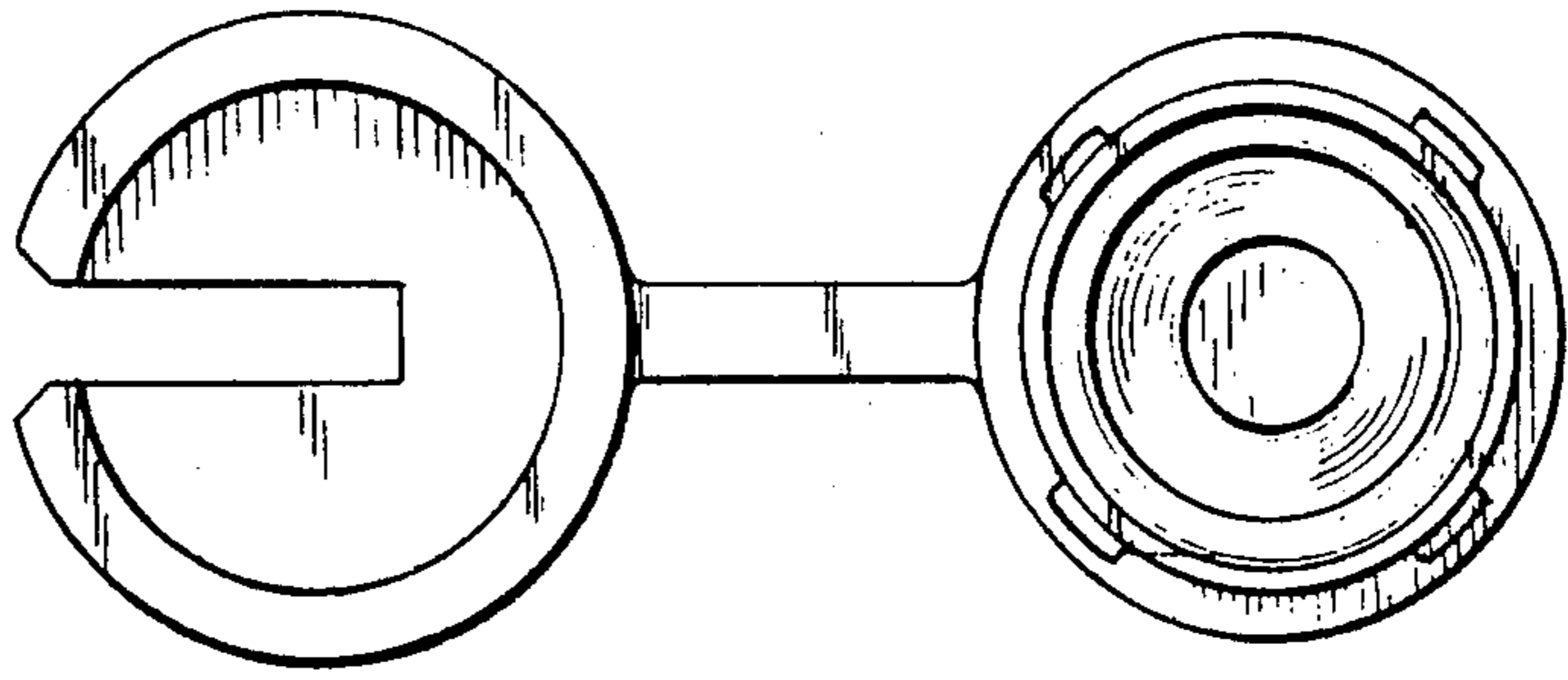


FIG-8

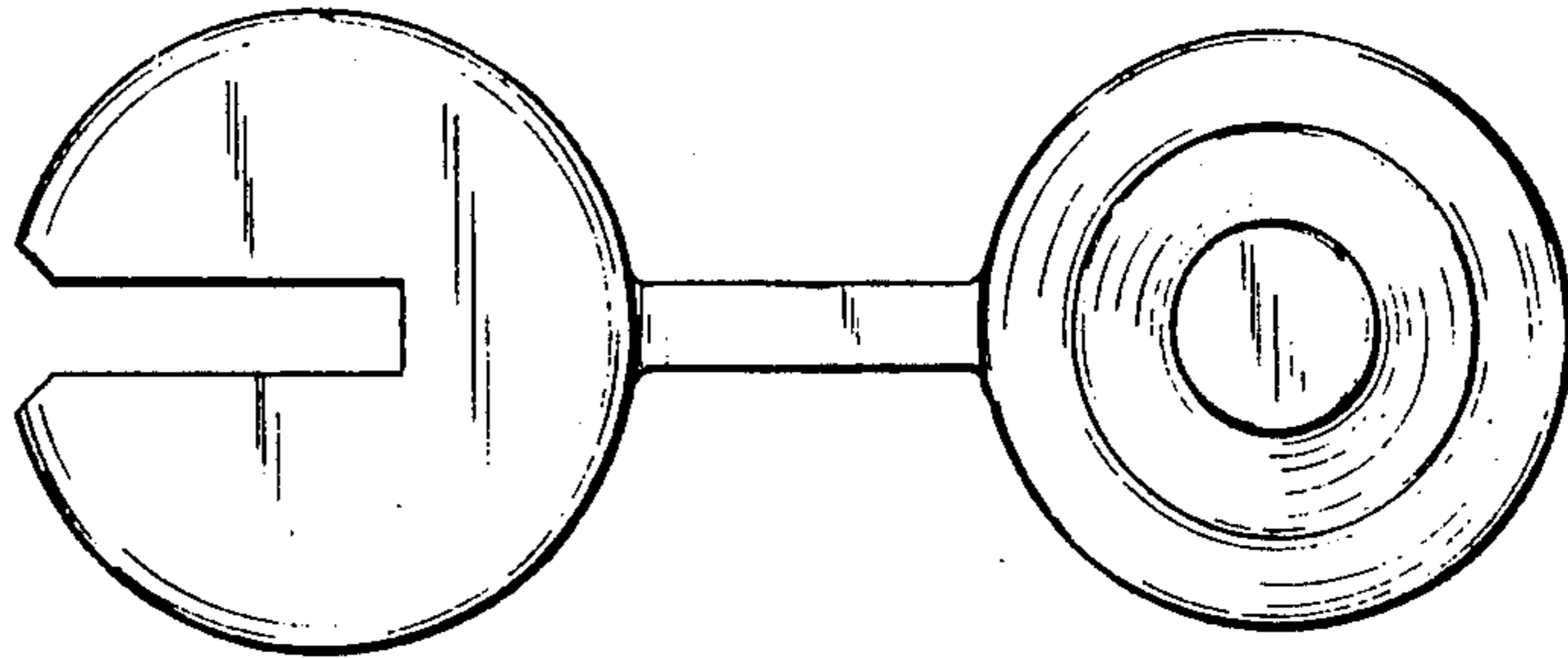


FIG-9

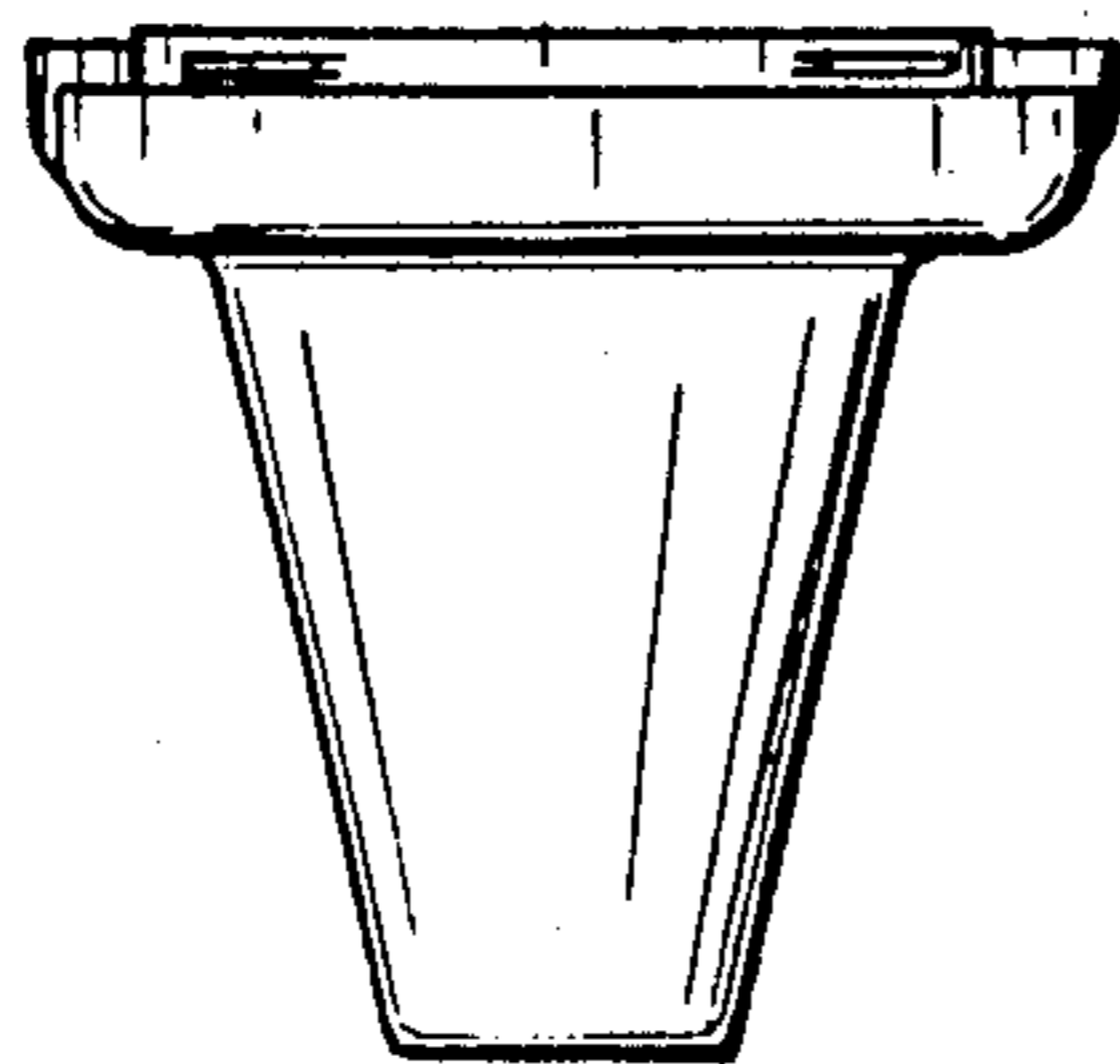


FIG-10

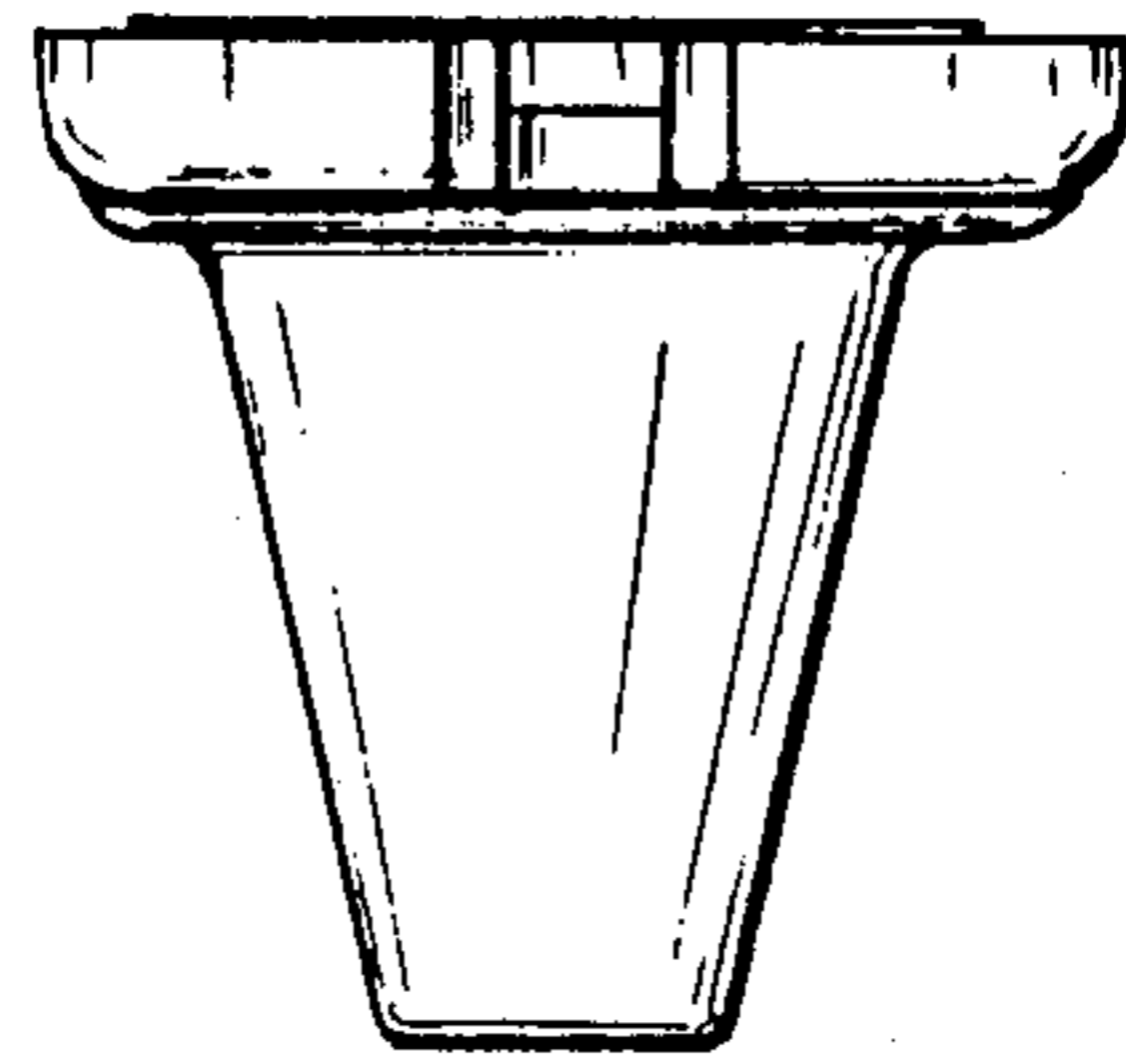


FIG-11

