

[54] BLOOD CIRCUIT FOR MONITORING AND CONTROLLING THE BLOOD FLOW DURING EXTRACORPOREAL BLOOD TREATMENT

[75] Inventor: Francesco Blanco, Modena, Italy

[73] Assignee: Hospal Ltd., Basel, Switzerland

[\*\*] Term: 14 Years

[21] Appl. No.: 727,238

[22] Filed: Apr. 25, 1985

[30] Foreign Application Priority Data

Oct. 31, 1984 [IT] Italy ..... 53985/84[U]  
[52] U.S. Cl. .... D24/21; D24/17  
[58] Field of Search ..... D24/21, 17; 604/5, 6; 128/691; 210/646, 644

[56] References Cited

U.S. PATENT DOCUMENTS

3,489,146 1/1970 Rubin et al. .... D24/21 X  
4,379,452 4/1983 De Vries ..... 604/6  
4,447,191 5/1984 Bilstad et al. .... 604/6 X

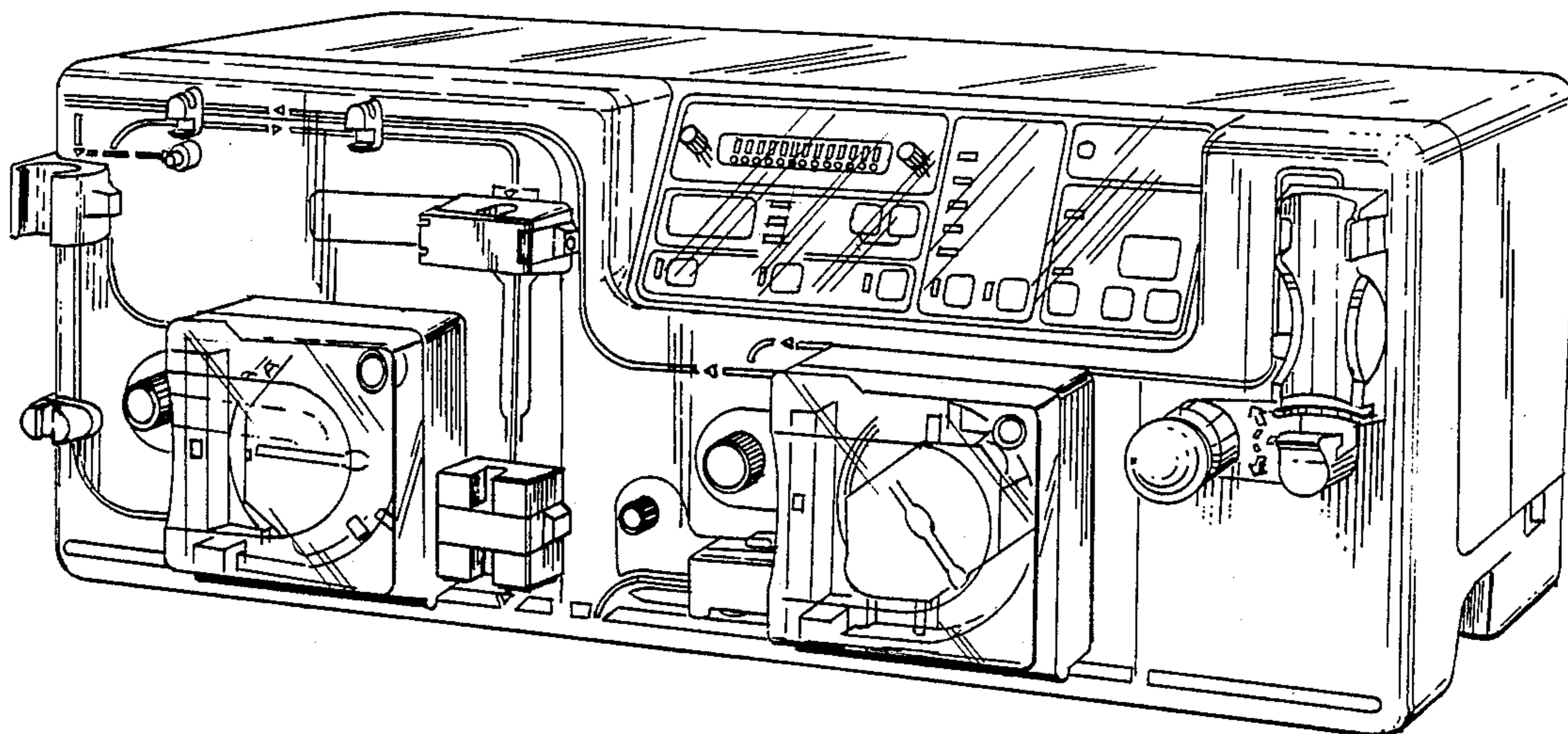
Primary Examiner—Wallace R. Burke  
Assistant Examiner—Stella M. Reid  
Attorney, Agent, or Firm—Gerald D. Sharkin; Robert S. Honor; Walter F. Jewell

[57] CLAIM

The ornamental design for a blood circuit for monitoring and controlling the blood flow during extracorporeal blood treatment, as shown and described.

DESCRIPTION

FIG. 1 is a front perspective view of a blood circuit for monitoring and controlling the blood flow during extracorporeal blood treatment showing my new design; FIG. 2 is a left side elevational view thereof; FIG. 3 is a rear elevational view thereof; and FIG. 4 is a bottom plan view thereof.



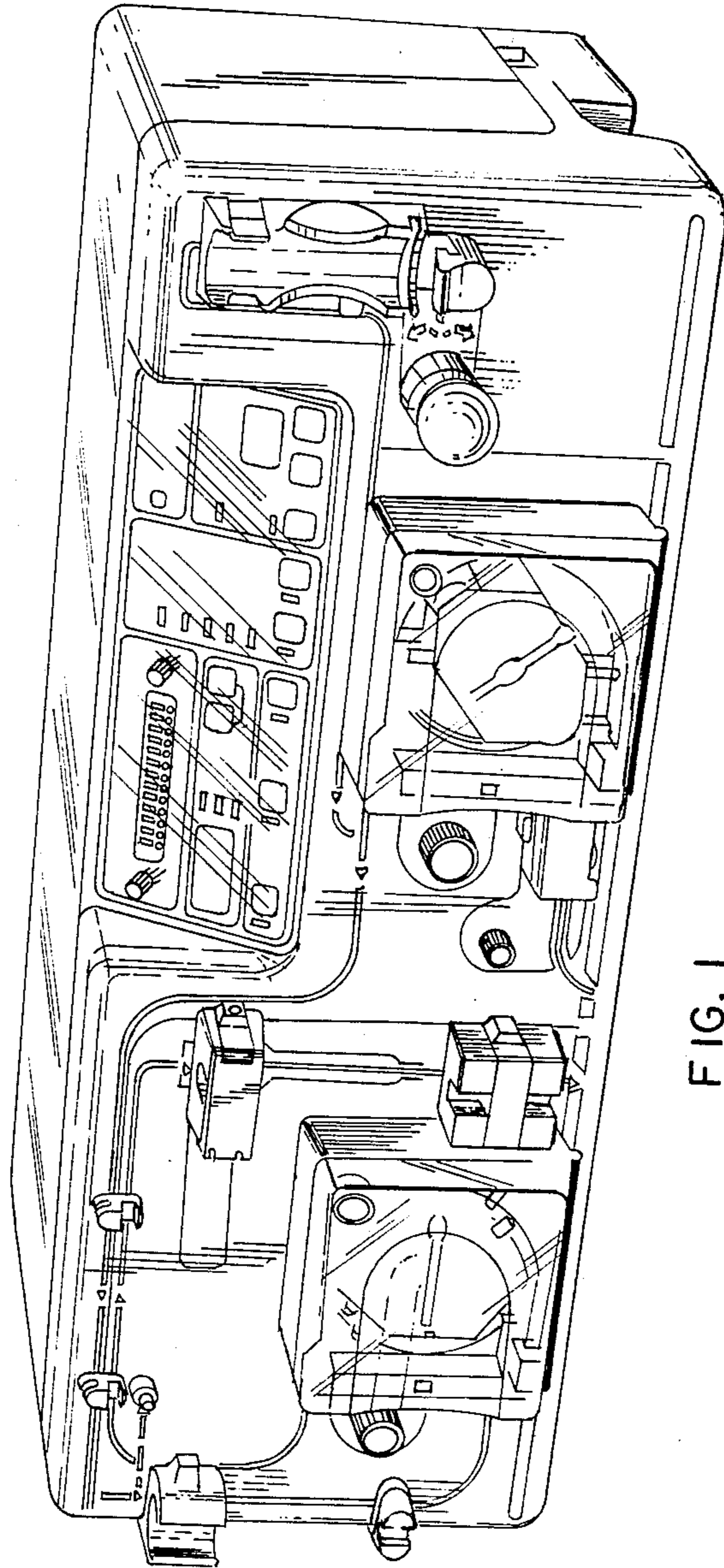
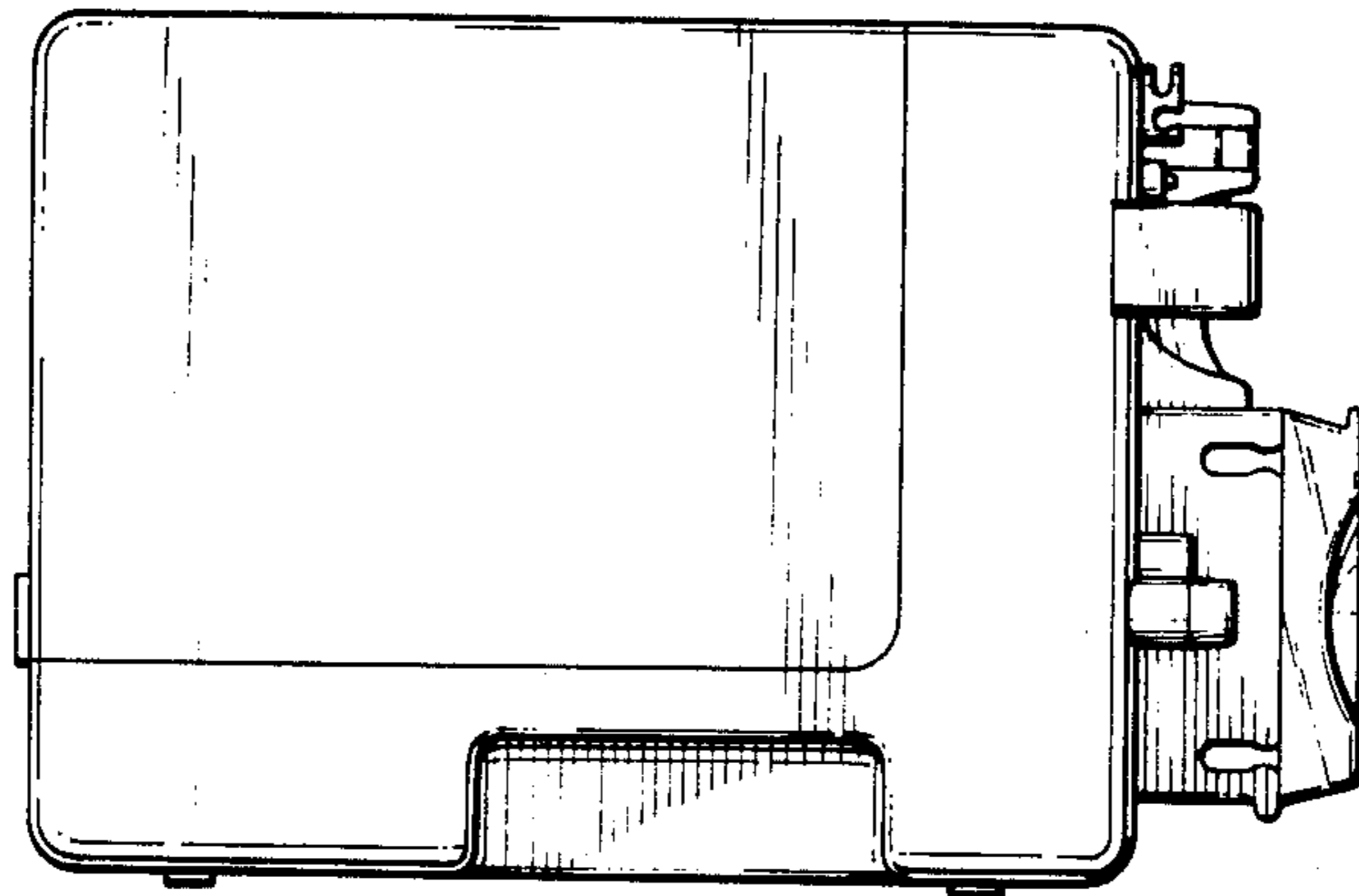


FIG. 1

*Fig. 2.*



*Fig. 3.*

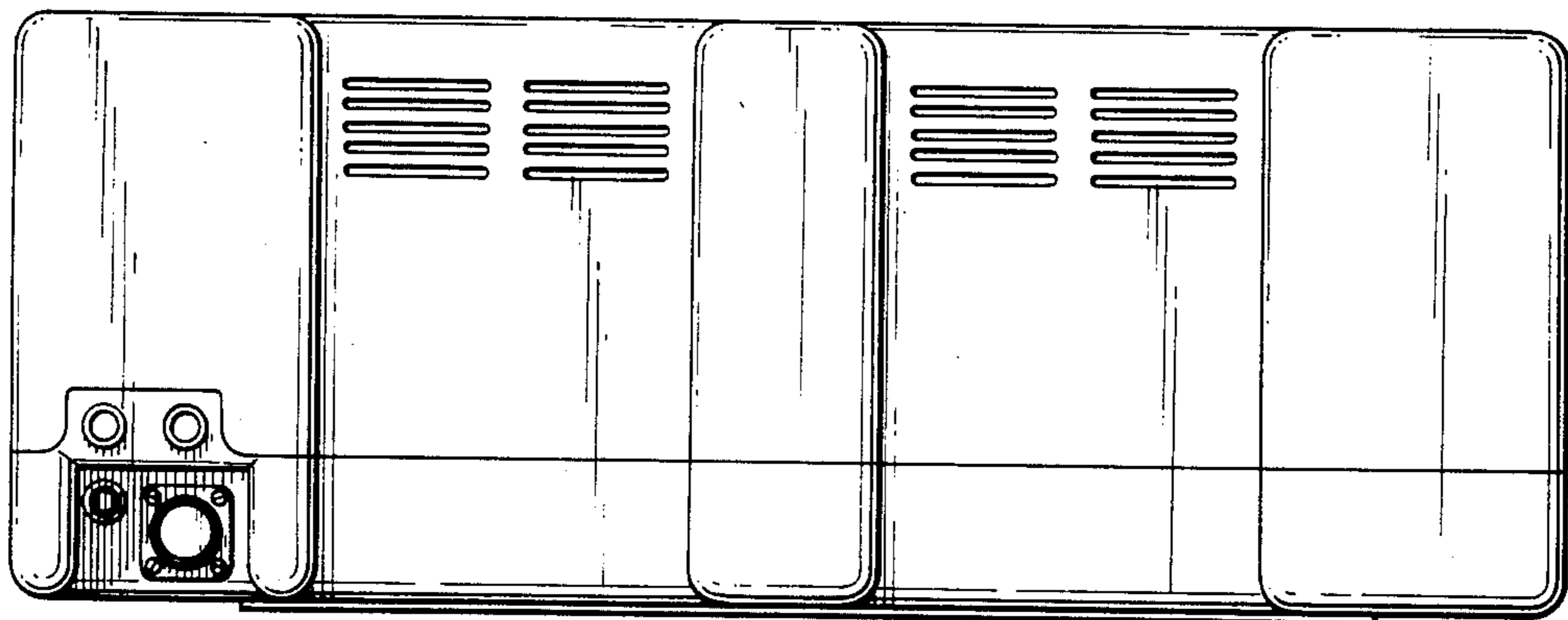


Fig. 4.

