

[54] **DRAFT INTENSIFIER FOR A FIREPLACE CHIMNEY**

[76] **Inventor: James J. Best, P.O. Box 83, Henderson, Ark. 72544**

[**] **Term: 14 Years**

[21] **Appl. No.: 919,826**

[22] **Filed: Oct. 16, 1986**

[52] **U.S. Cl. D23/373**

[58] **Field of Search D23/370-371, D23/373-374; 98/58-60, 61-62, 81, 83**

[56] **References Cited**

U.S. PATENT DOCUMENTS

D. 257,282	10/1980	Roberts	D23/373
312,918	2/1885	Steen	98/81 X
1,700,018	1/1929	Blanchard	98/61
1,785,228	12/1930	Schmidt	D23/373 X
2,830,527	4/1958	Breidert et al.	98/81

FOREIGN PATENT DOCUMENTS

216962	8/1962	Japan	D23/373 X
--------	--------	-------------	-----------

Primary Examiner—Wallace R. Burke

Assistant Examiner—Brian N. Vinson

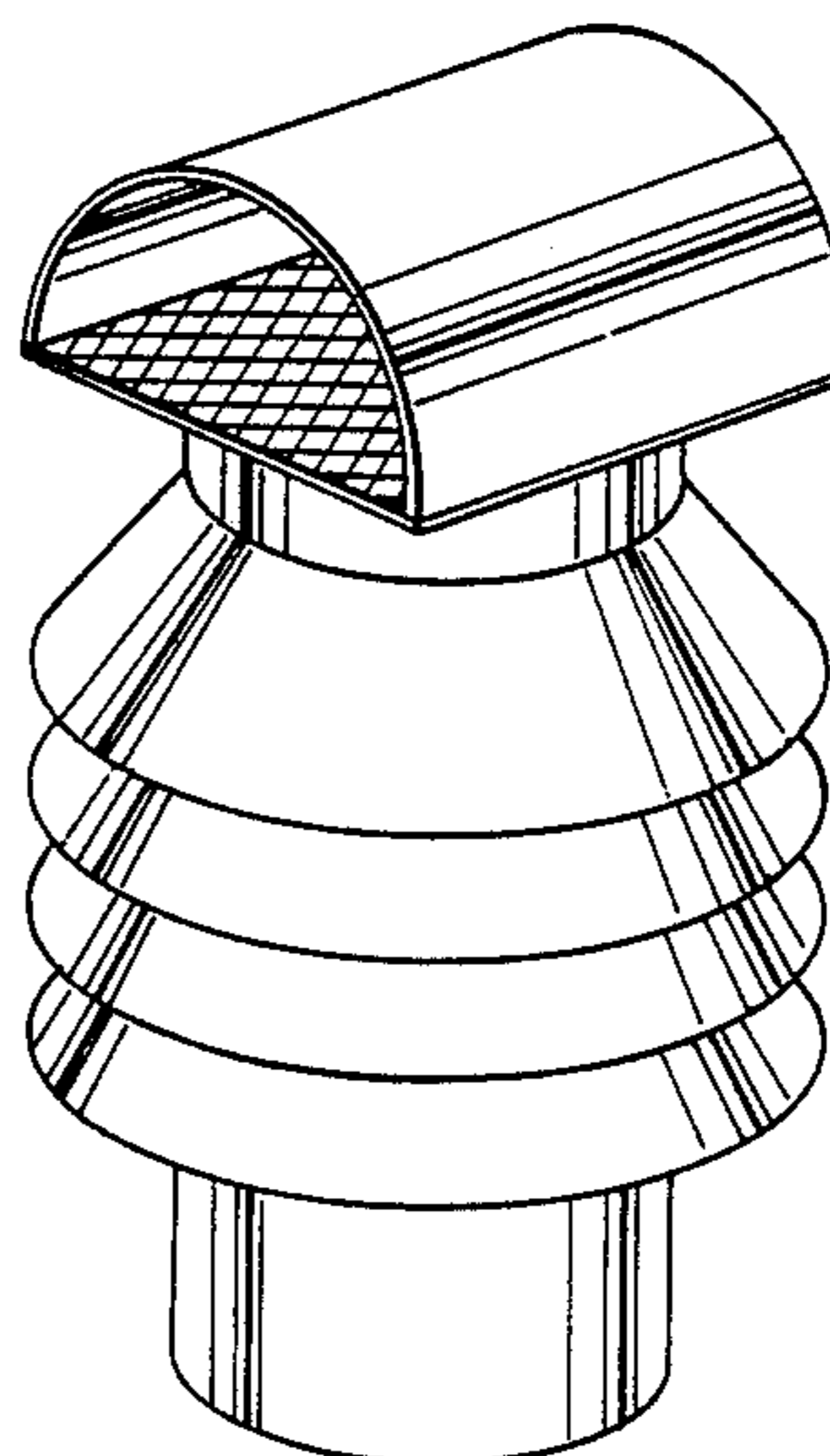
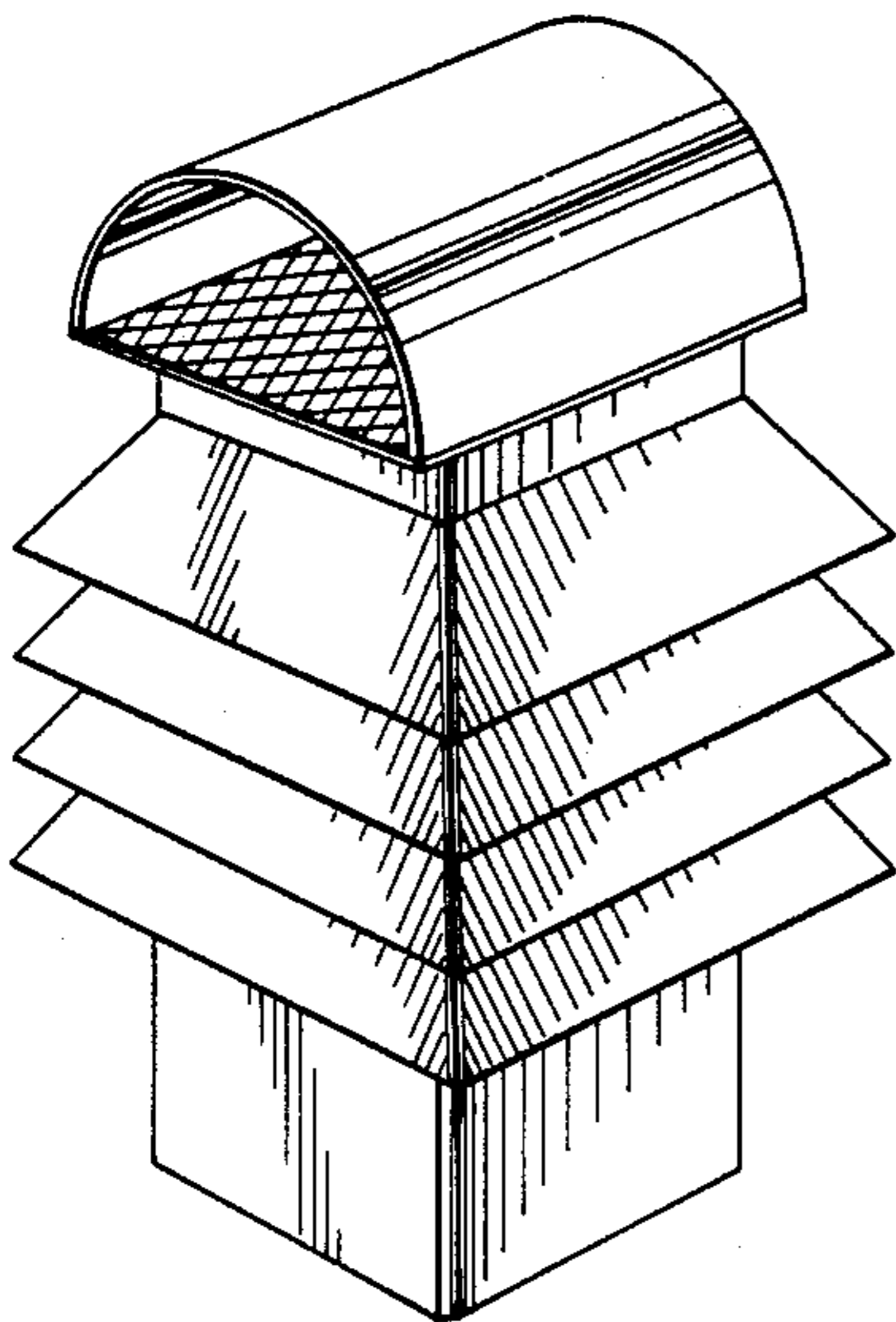
Attorney, Agent, or Firm—Hovey, Williams, Timmons & Collins

[57] **CLAIM**

The ornamental design for a draft intensifier for a fireplace chimney, as shown and described.

DESCRIPTION

FIG. 1 is a perspective view of a draft intensifier for a fireplace chimney showing my new design; FIG. 2 is a side elevational view thereof, the opposite side being identical in appearance; FIG. 3 is a front elevational view thereof, the rear being identical in appearance; FIG. 4 is a top plan view thereof; FIG. 5 is a bottom plan view thereof; FIG. 6 is a perspective view thereof, with the cap portion omitted for clarity of illustration; FIG. 7 is a side elevational view thereof, the adjacent and opposite sides being identical in appearance and with the cap portion omitted for clarity of illustration; FIG. 8 is a top plan view thereof, with the cap portion omitted for clarity of illustration; FIG. 9 is a perspective view of an alternate embodiment thereof; FIG. 10 is a side elevational view of the embodiment of FIG. 9, the opposite side being identical in appearance; FIG. 11 is a front elevational view of the embodiment of FIG. 9, the rear being identical in appearance; FIG. 12 is a top plan view of the embodiment of FIG. 9; FIG. 13 is a bottom plan view of the embodiment of FIG. 9; FIG. 14 is a perspective view of the embodiment of FIG. 9, with the cap omitted for clarity of illustration; FIG. 15 is a side elevational view of the embodiment of FIG. 9, the opposite and adjacent sides being identical in appearance and with the cap portion omitted for clarity of illustration; and FIG. 16 is a top plan view of the embodiment of FIG. 9, with the cap portion omitted for clarity of illustration.



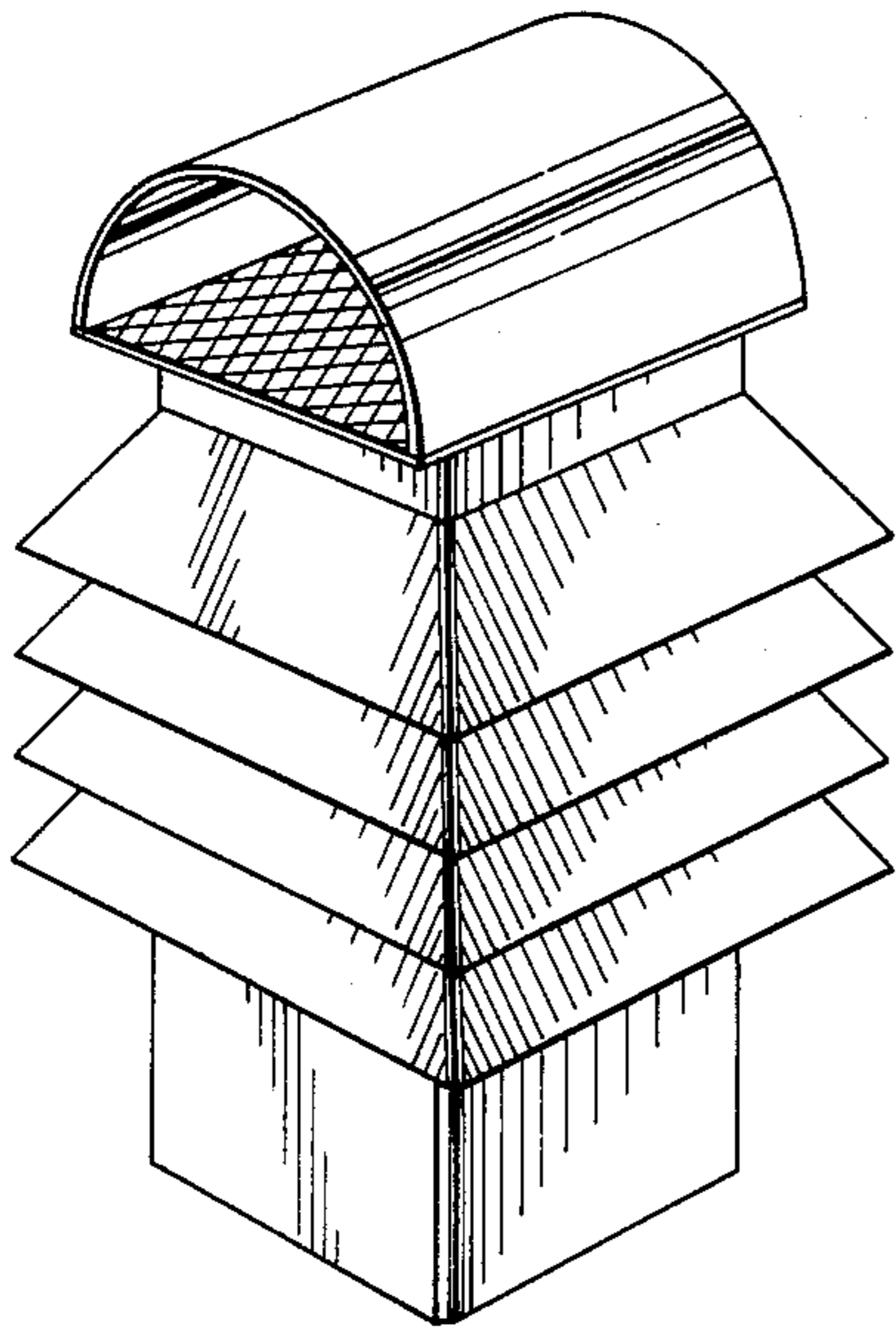


Fig. 1.

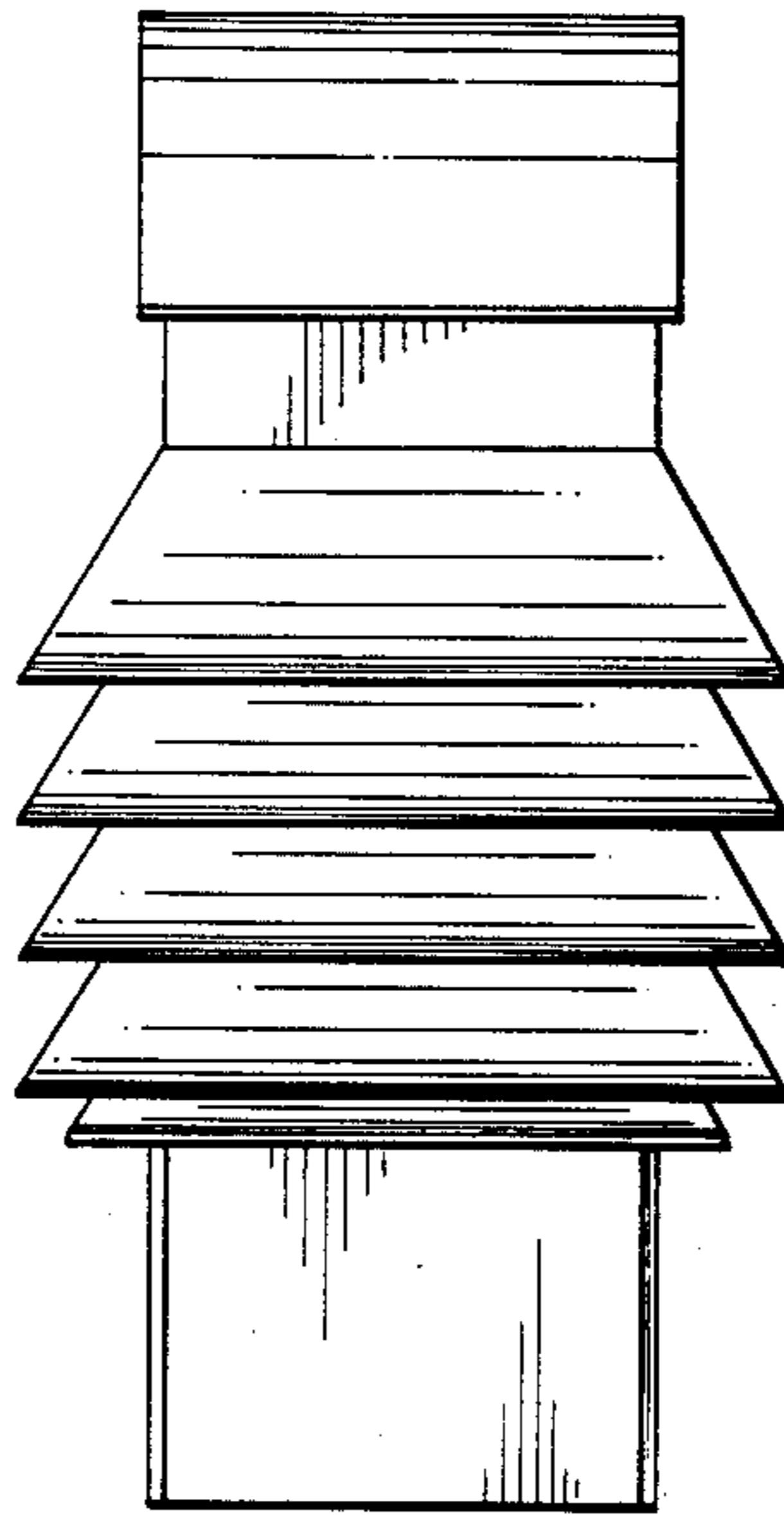


Fig. 2.

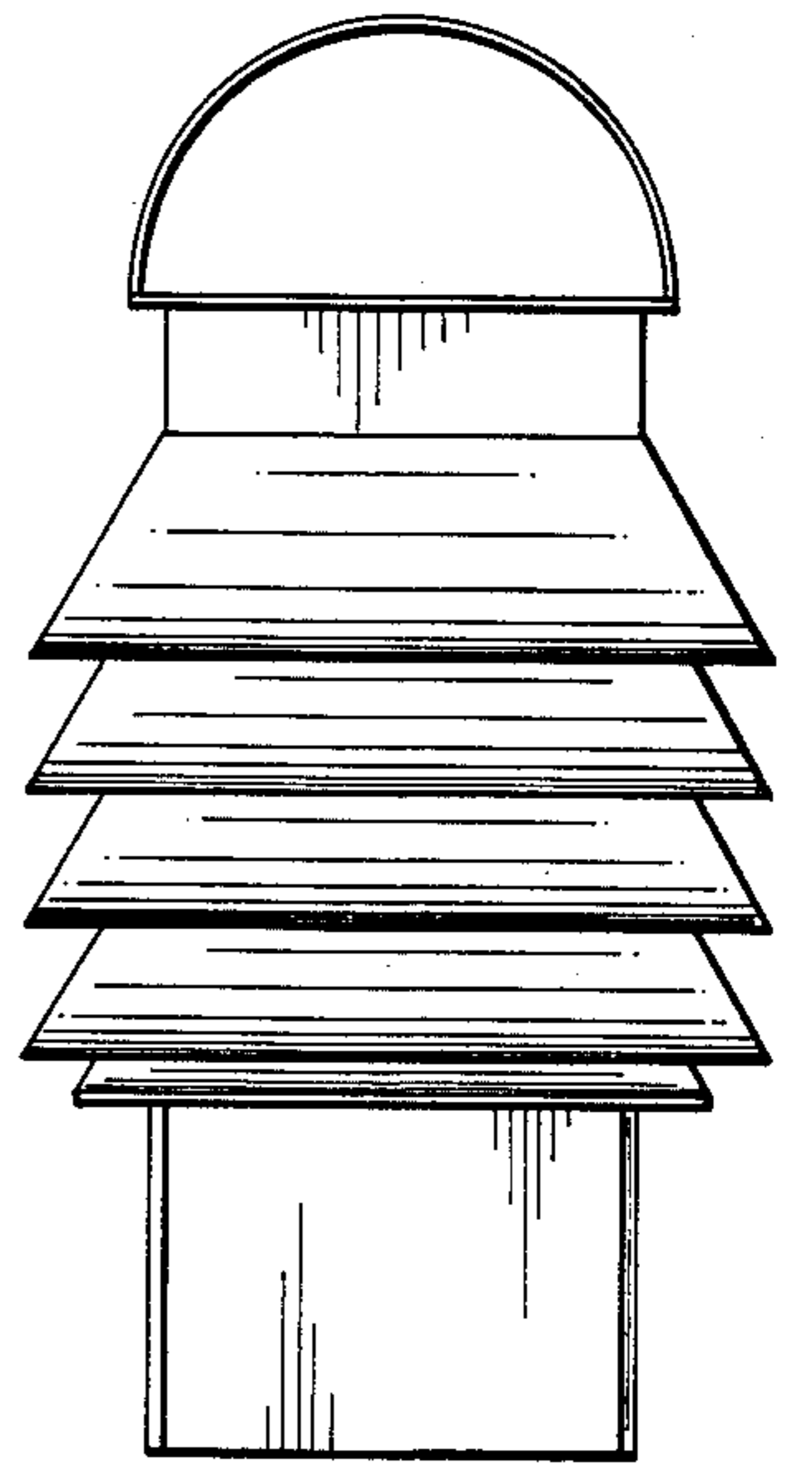


Fig. 3.

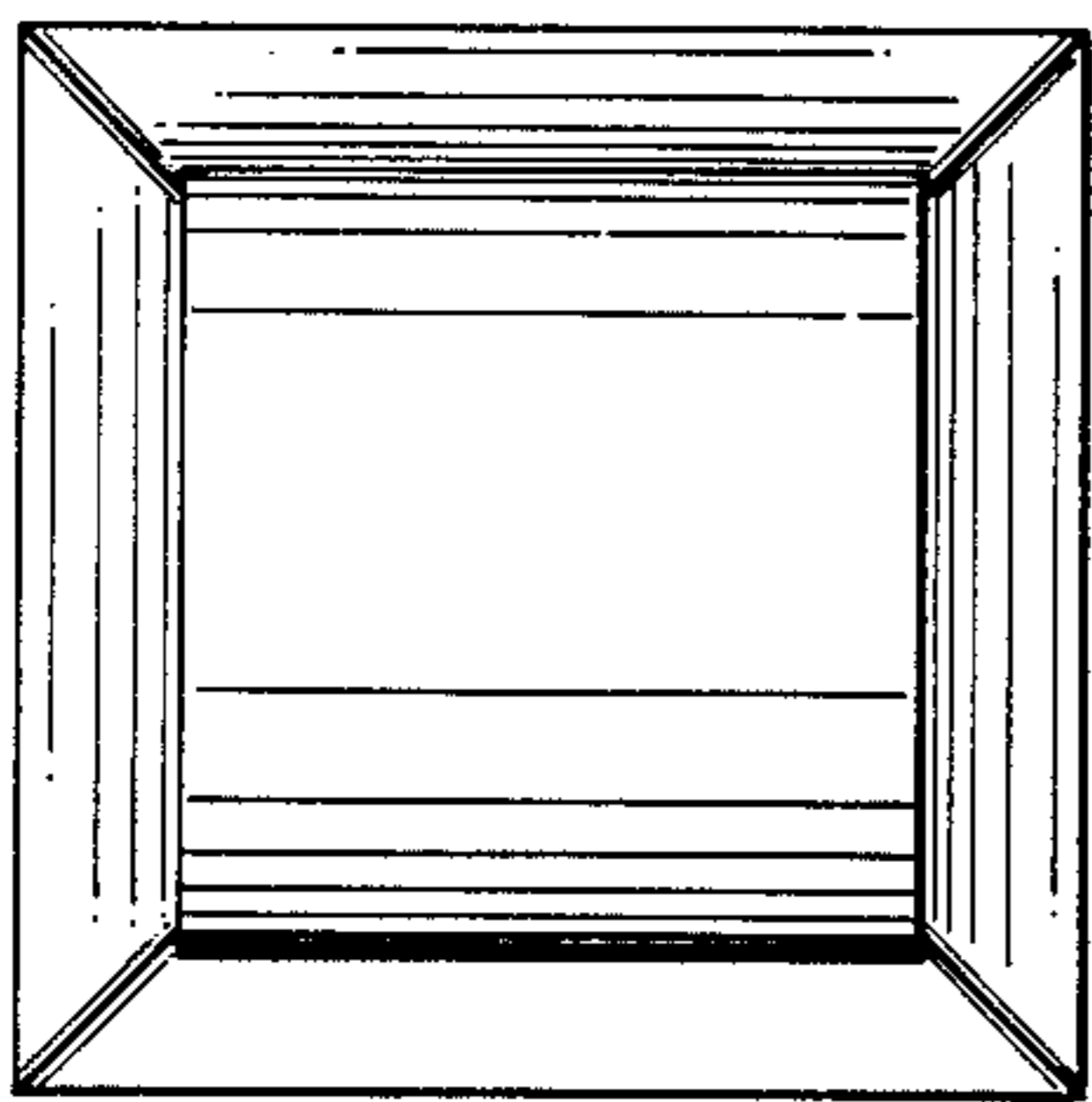


Fig. 4.

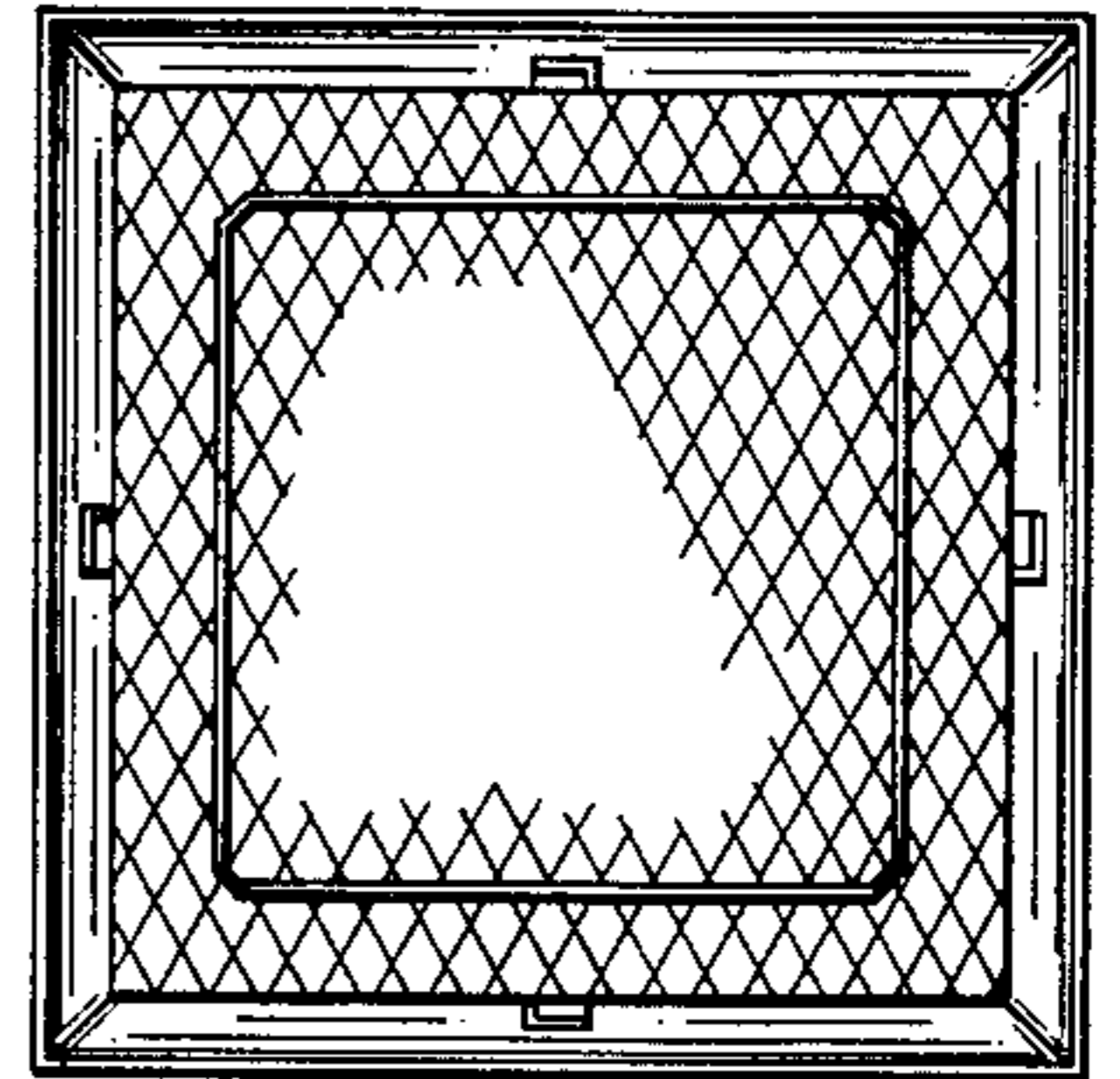


Fig. 5.

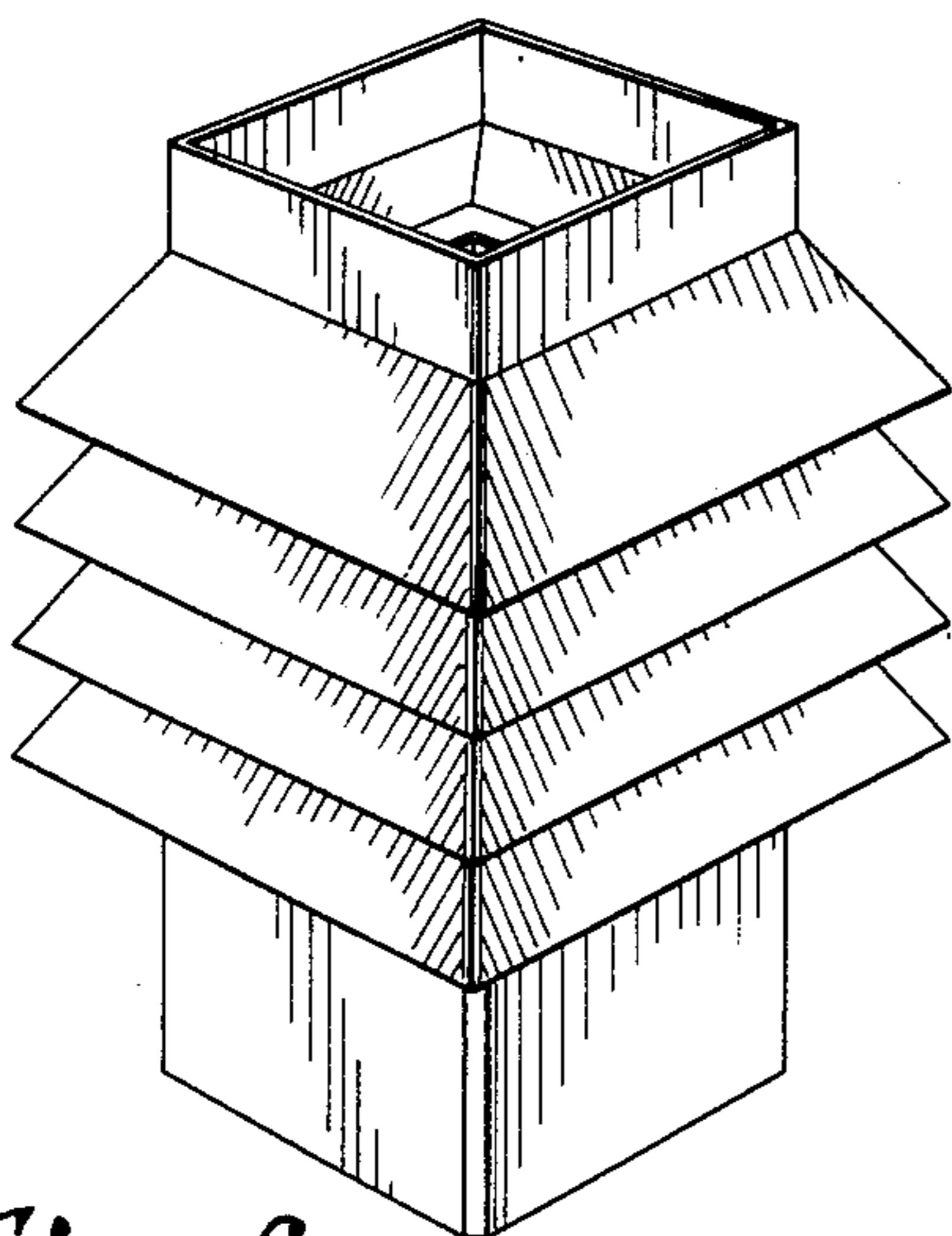


Fig. 6.

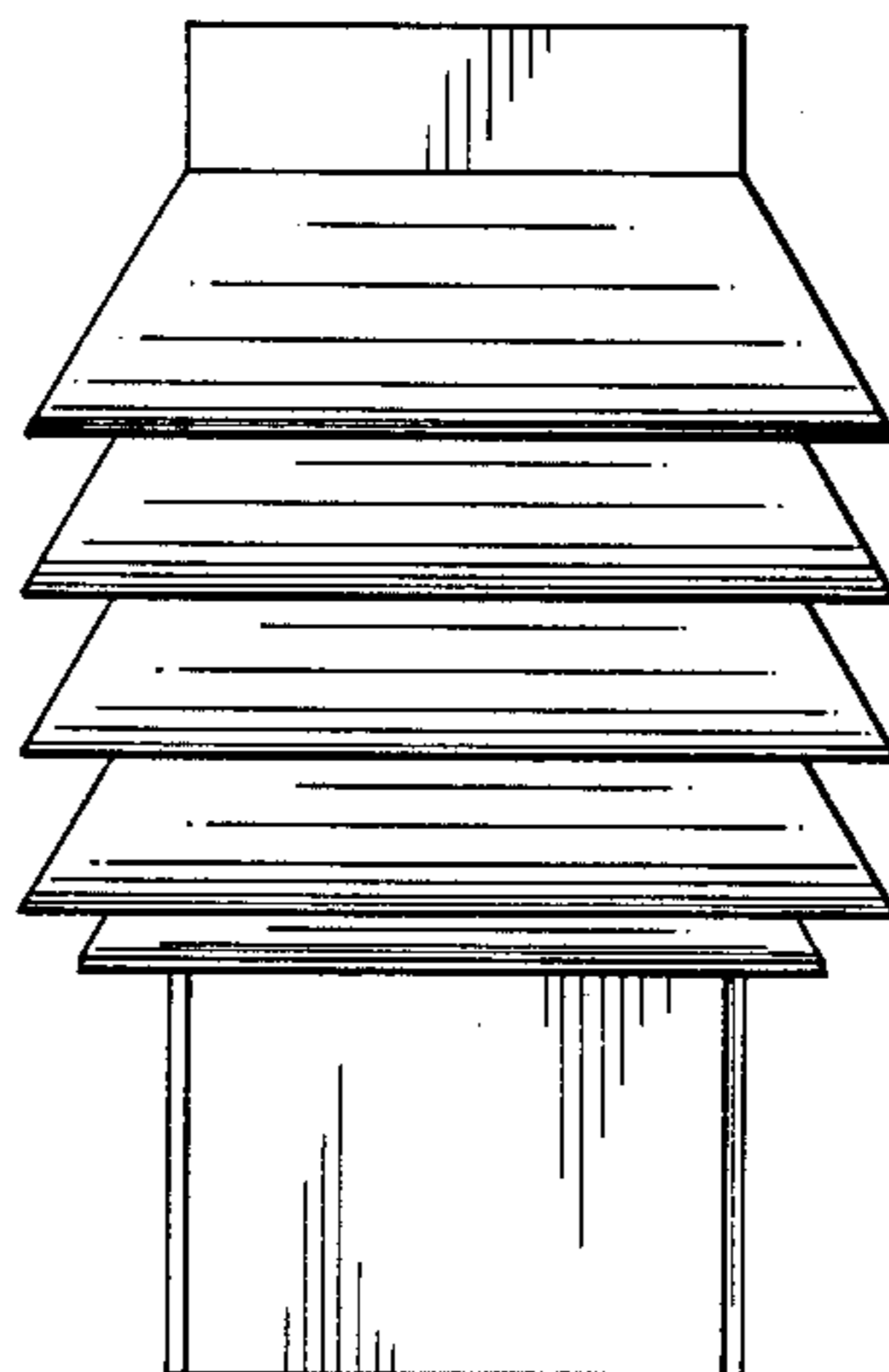


Fig. 7.

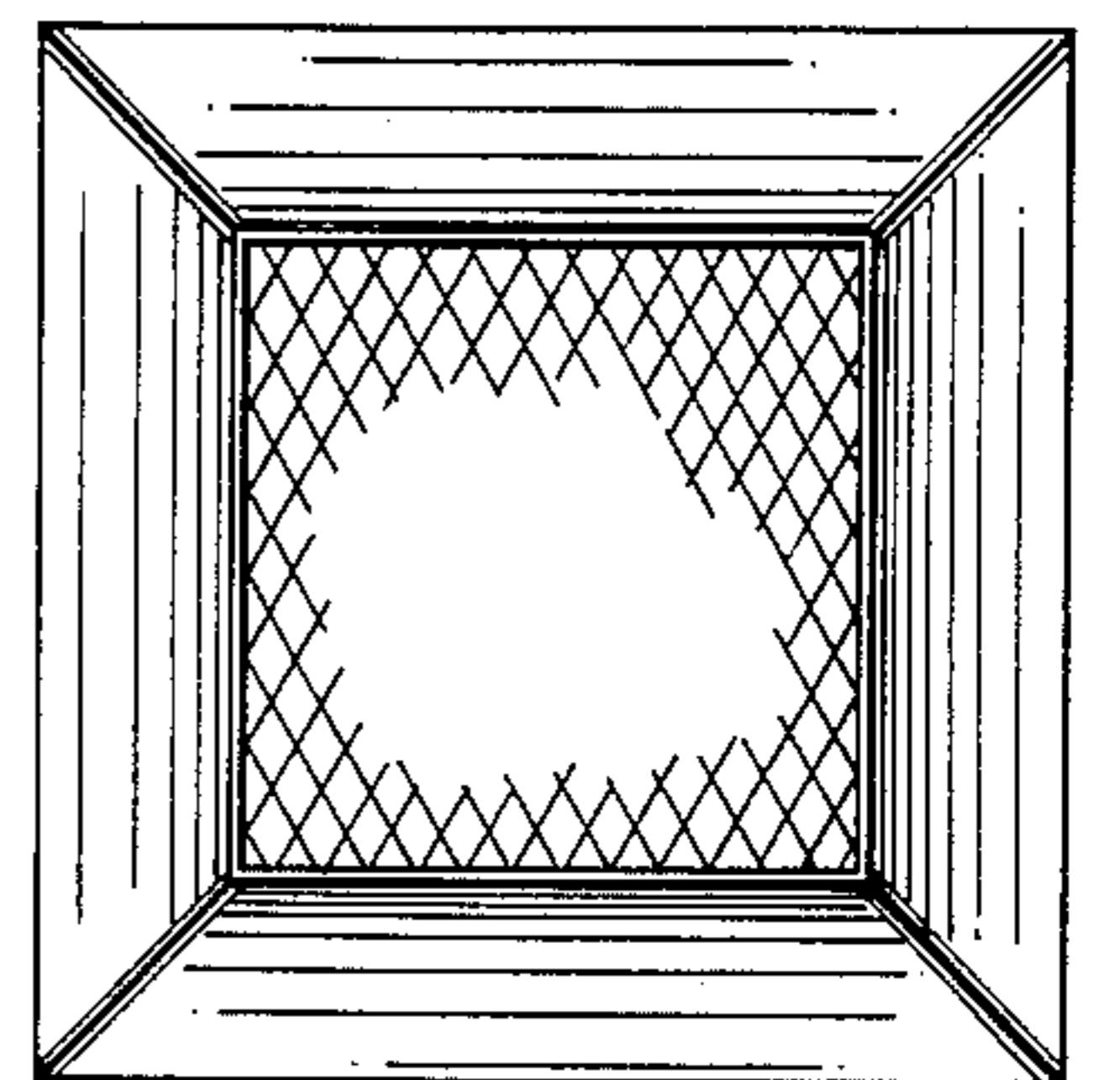


Fig. 8.

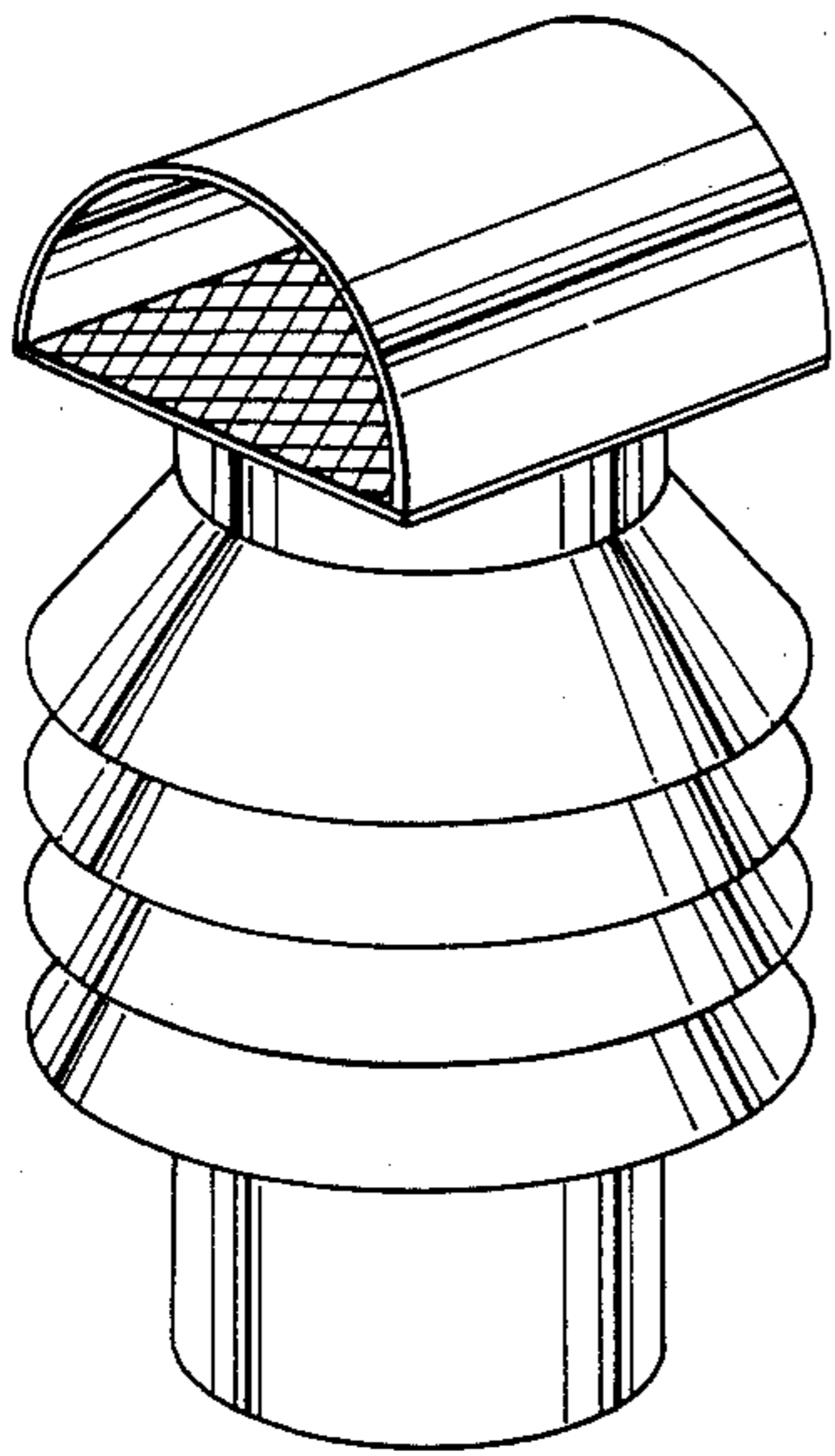


Fig. 9.

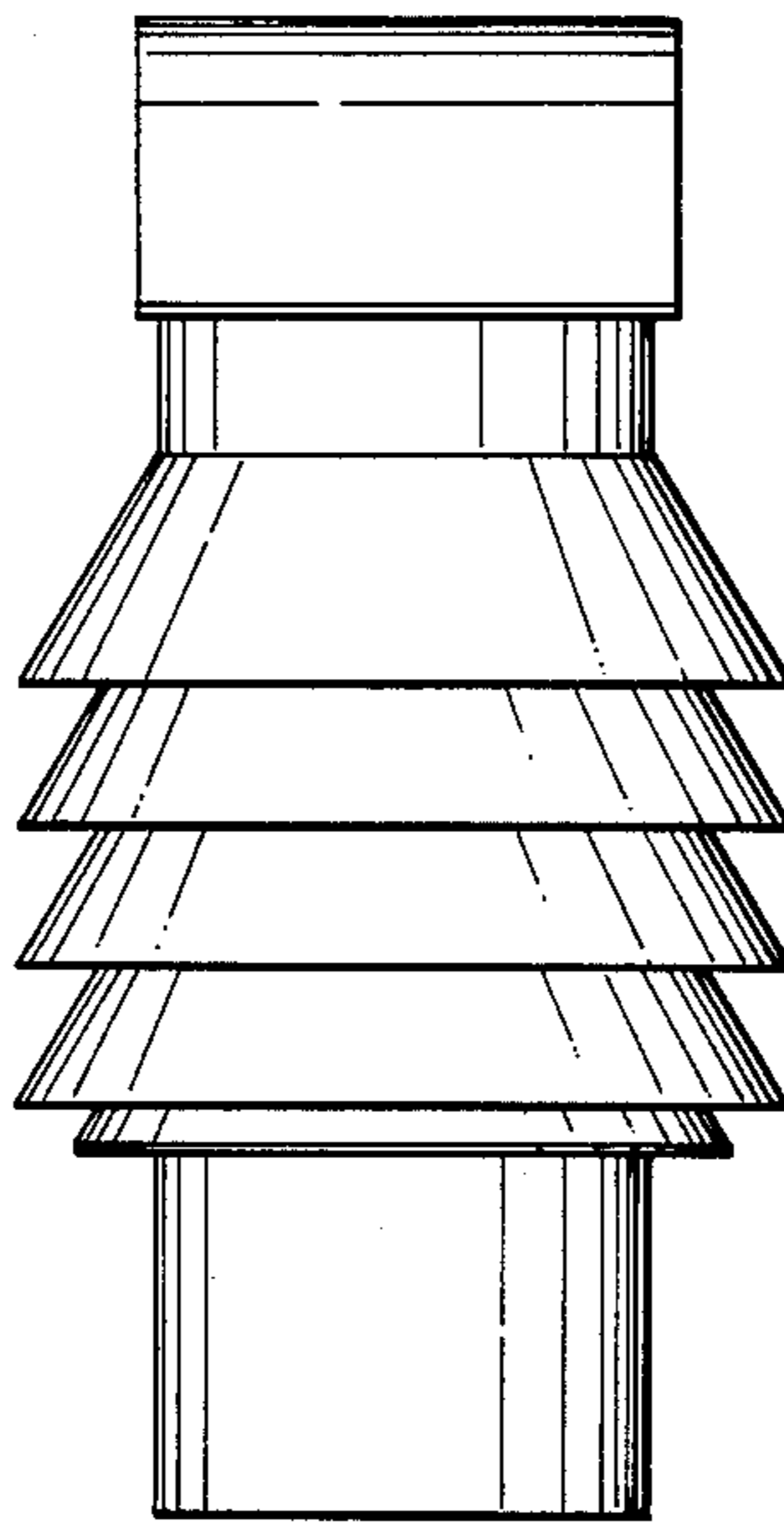


Fig. 10.

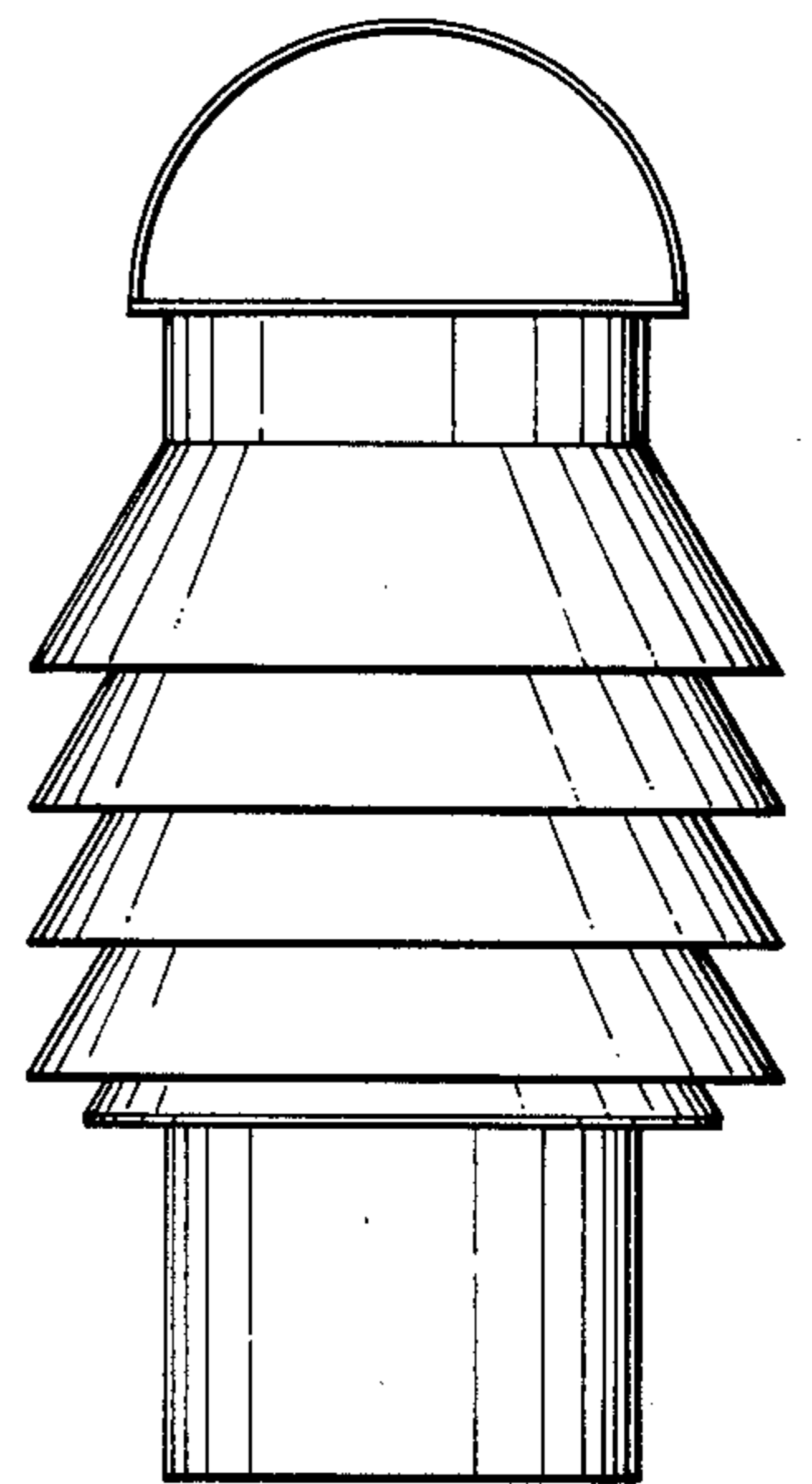


Fig. 11.

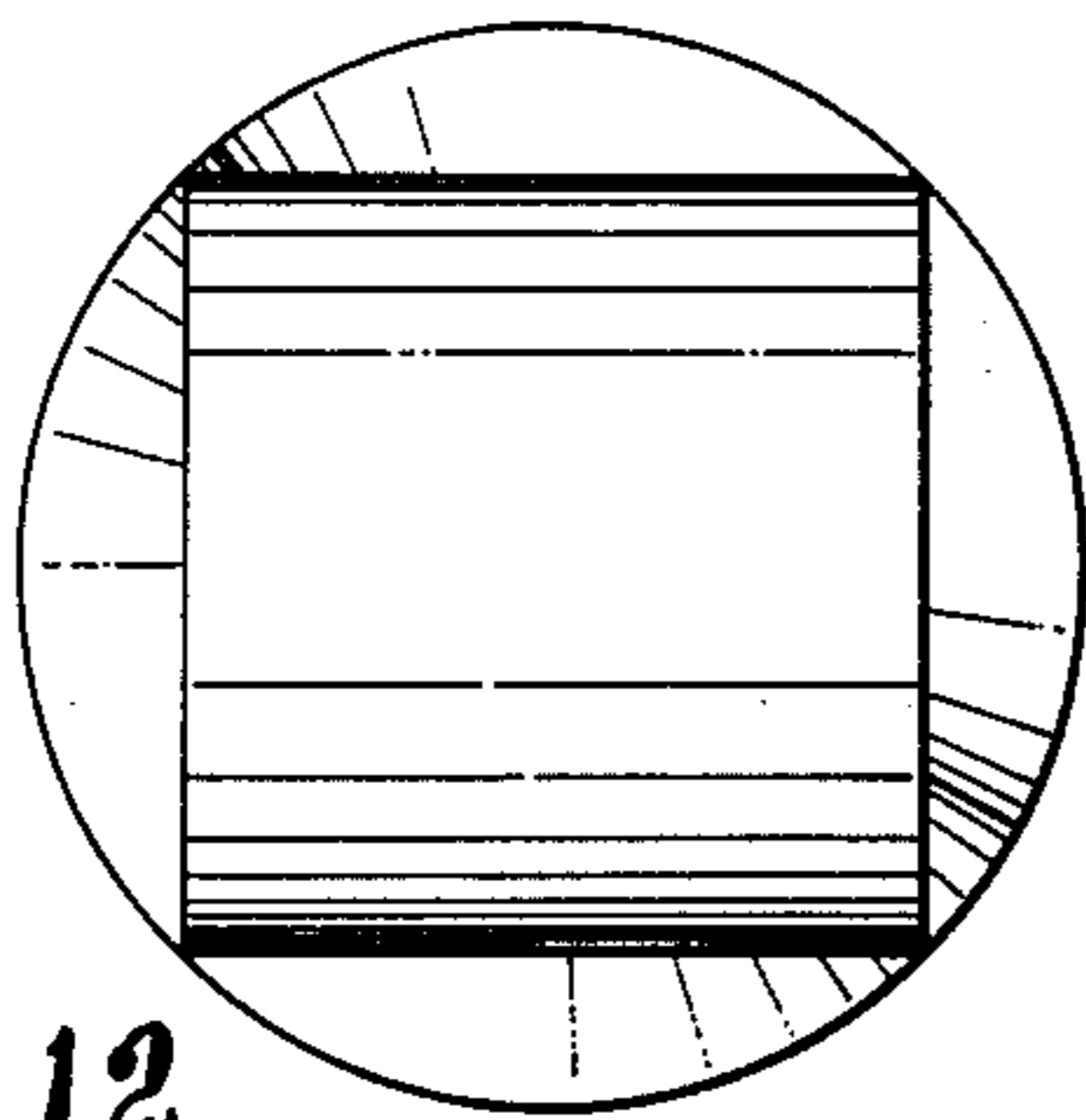


Fig. 12.

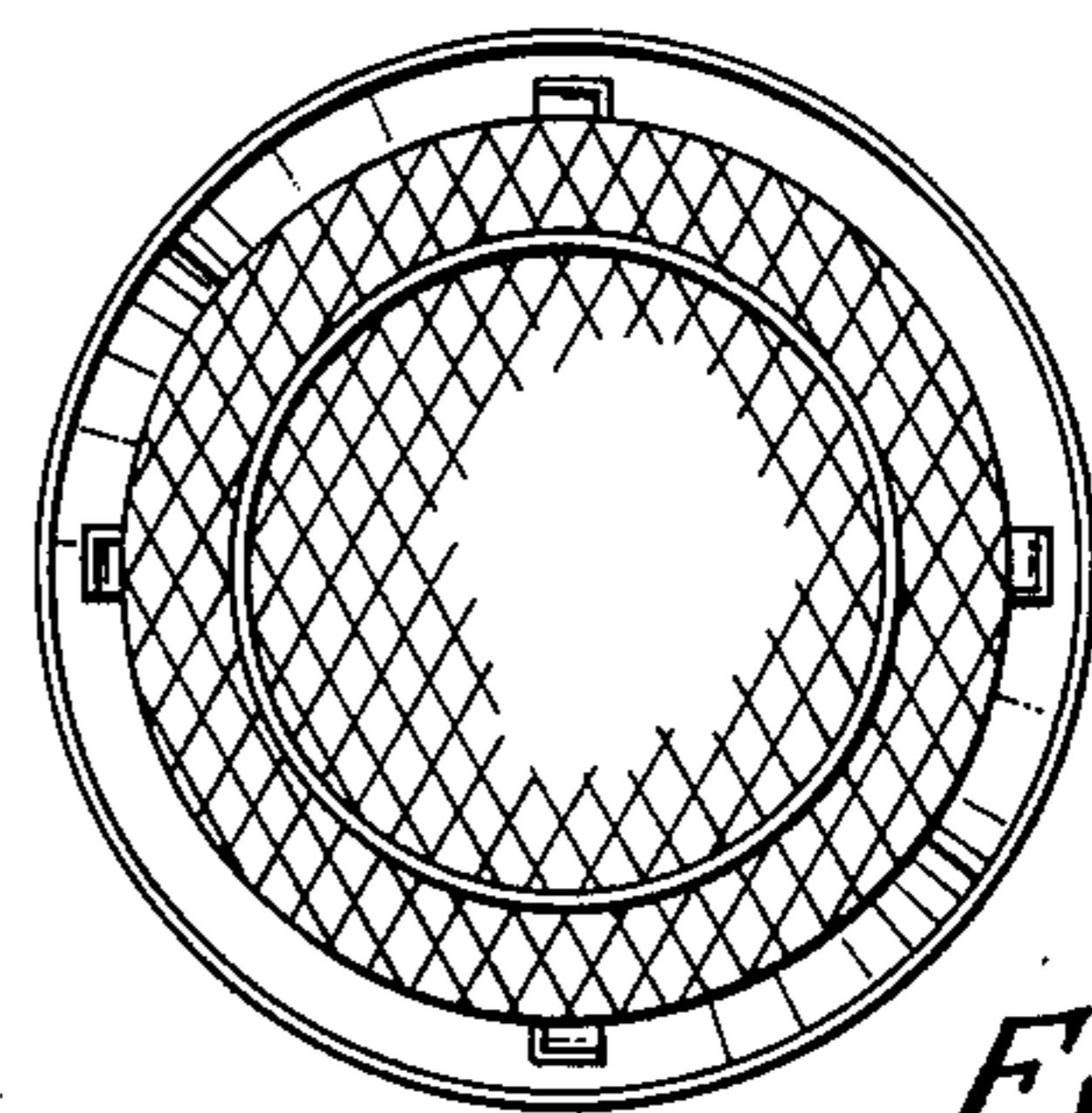


Fig. 13.

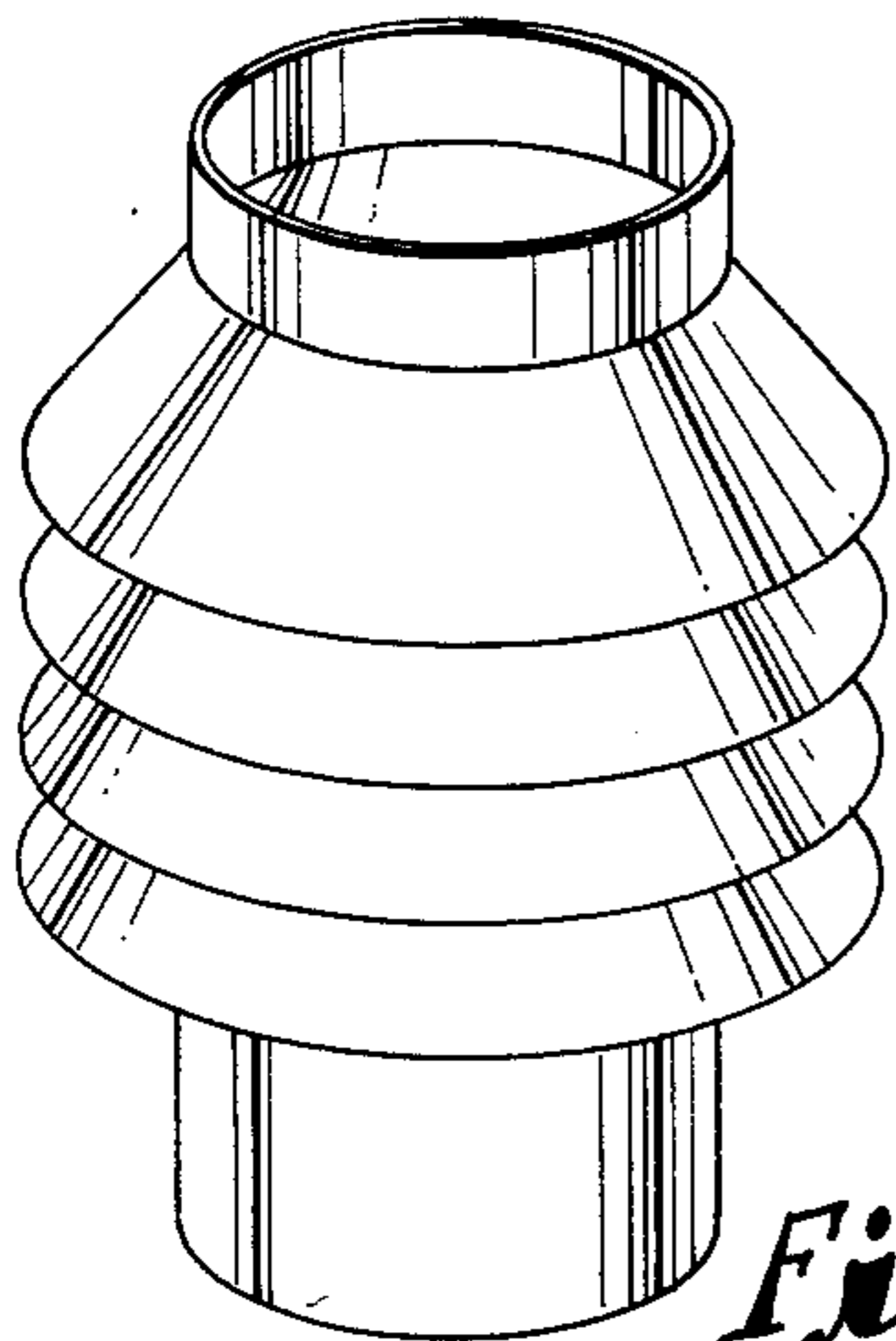


Fig. 14.

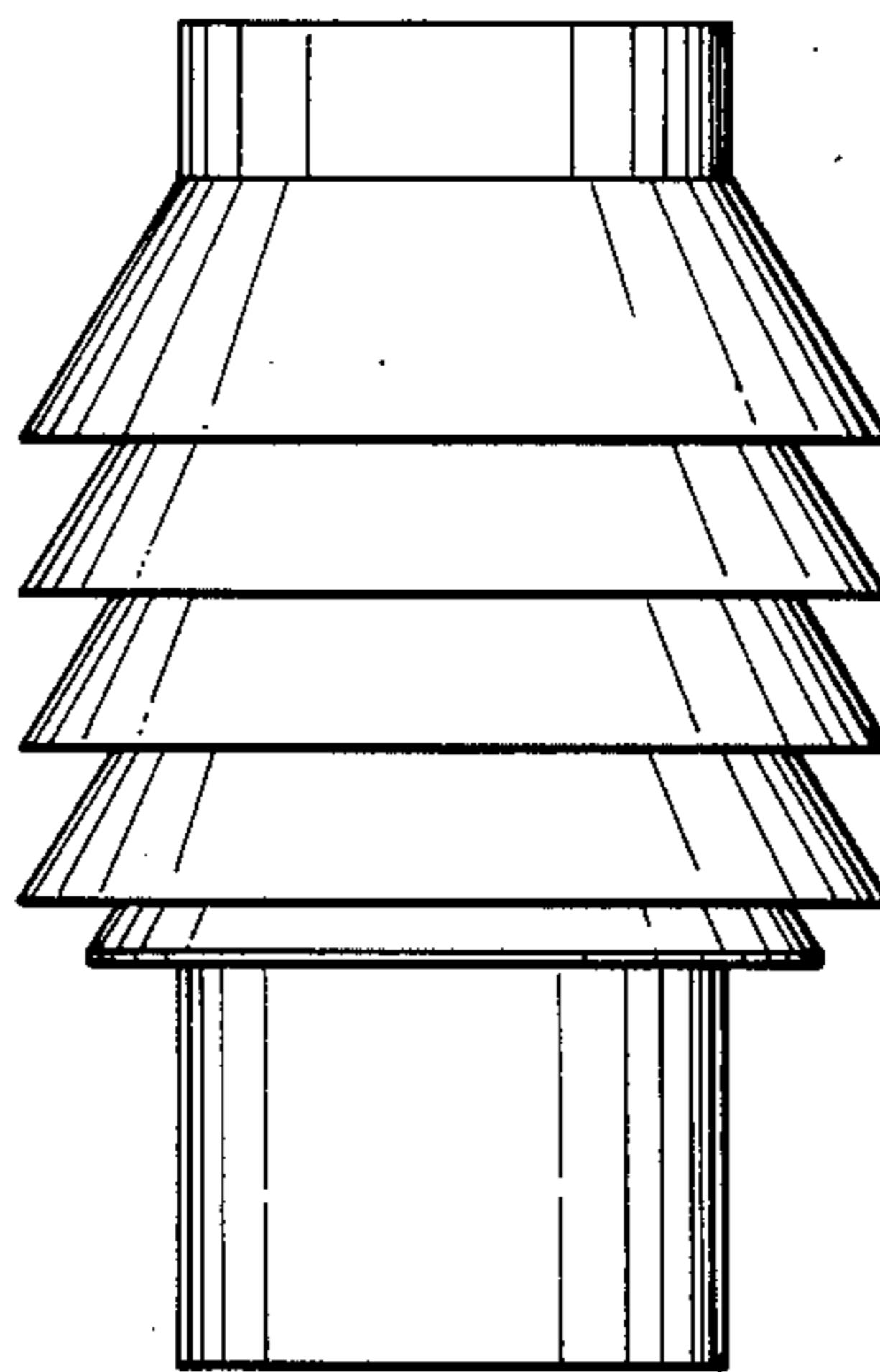


Fig. 15.

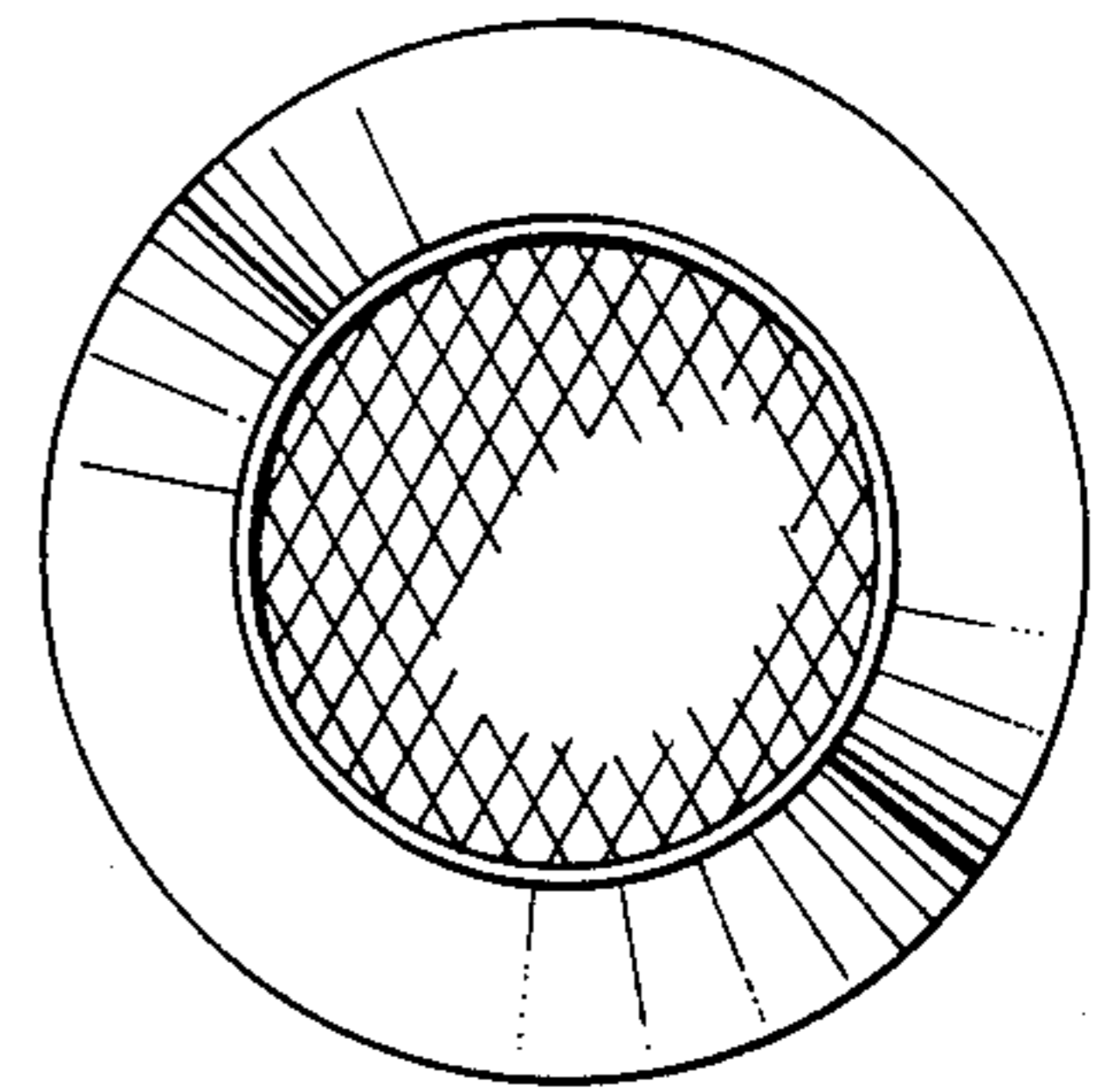


Fig. 16.