

[54] FRONT FOR A FIREPLACE INSERT OR SIMILAR ARTICLE

[75] Inventor: Daniel S. Henry, Colville, Wash.
[73] Assignee: Aladdin Steel Products, Inc., Colville, Wash.
[**] Term: 14 Years
[21] Appl. No.: 77,316

[22] Filed: Jul. 24, 1987
[52] U.S. Cl. D23/344
[58] Field of Search D23/314, 343-344, D23/345, 350, 339; 126/120-122, 126, 138-143, 190, 200

[56] References Cited

U.S. PATENT DOCUMENTS

| | | | |
|------------|---------|----------------------|---------|
| D. 261,922 | 11/1981 | Mariager et al. | D23/344 |
| D. 265,237 | 6/1982 | Beck et al. | D23/343 |
| D. 288,595 | 3/1987 | Craver | D23/344 |
| D. 296,924 | 7/1988 | Rumens et al. | D23/343 |

OTHER PUBLICATIONS

Wesland Stoves catalogue (1984)—Model 200 Fireplace Insert.
Citation brochure (1985)—Fireplace Insert.
Defiance catalogue (1981)—“Master’s Choice Fireplace Furnace”, p. 3.
“Wood Heat/86 Woodstove Directory”, p. 121, vol. 9, 1985-1986, Fisher Stoves Tech IV—Fireplace Insert.

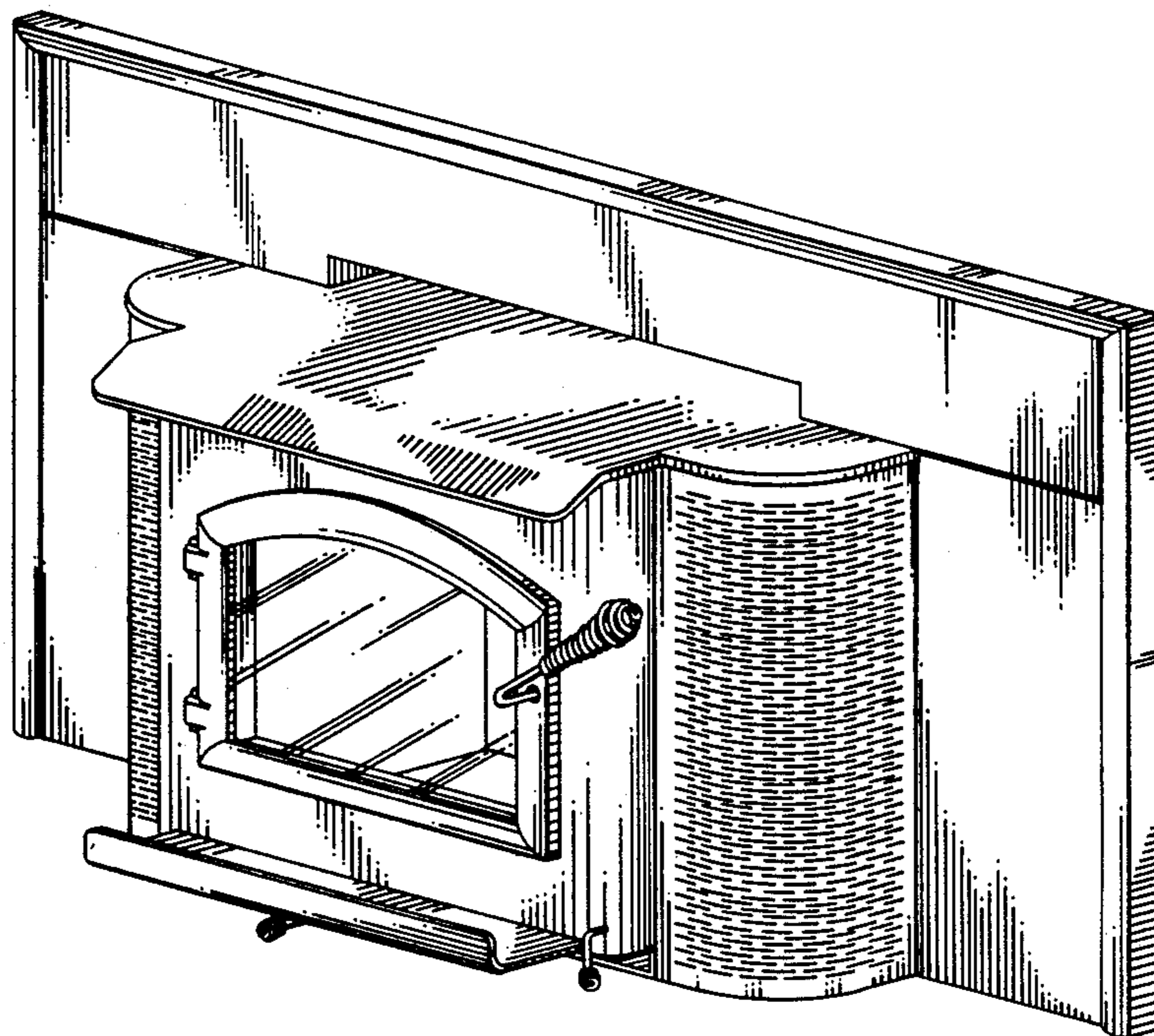
Primary Examiner—Susan J. Lucas
Assistant Examiner—Brian N. Vinson
Attorney, Agent, or Firm—Wells, St. John & Roberts

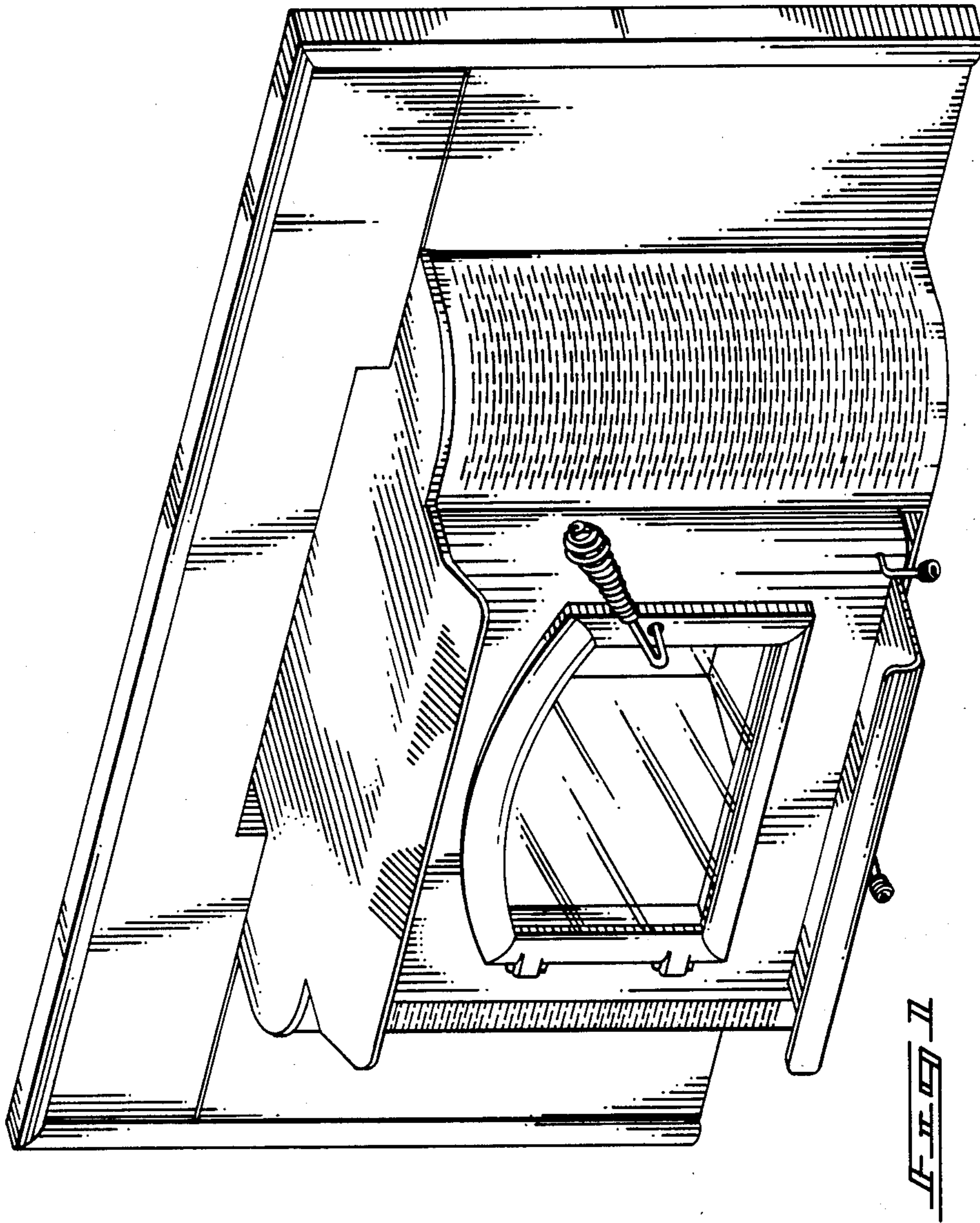
[57] CLAIM

The ornamental design for a front for a fireplace insert or similar article, as shown and described.

DESCRIPTION

FIG. 1 is a perspective view of a front for a fireplace insert or similar article showing my new design; FIG. 2 is a front elevation view thereof, the undisclosed rear being plain and unornamented; FIG. 3 is a top plan view thereof, the undisclosed bottom being plain and unornamented; FIG. 4 is a left side elevation view thereof; and FIG. 5 is a right side elevation view thereof.





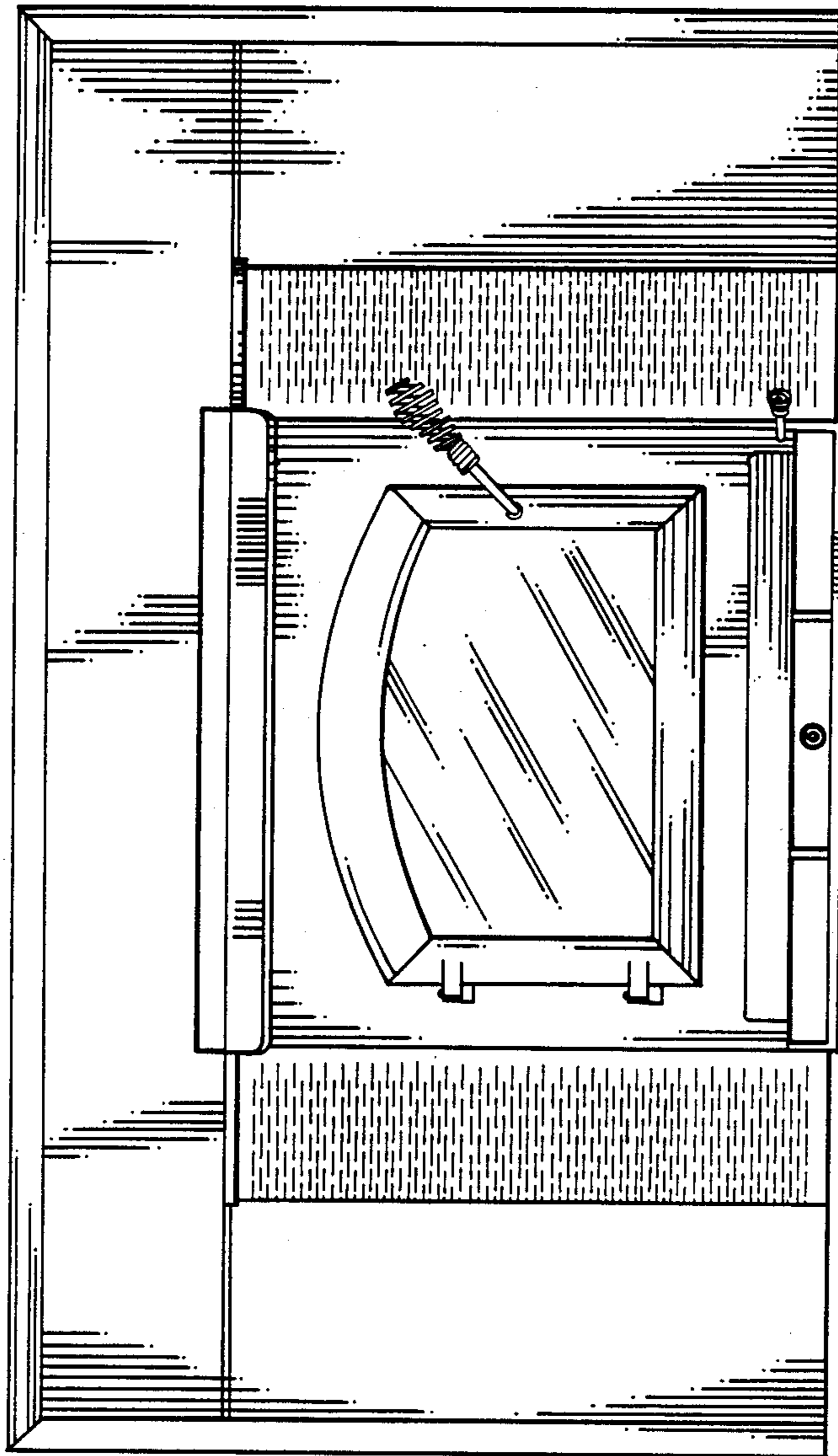


FIG. 2

