

[54] DIAPHRAGM VALVE

[75] Inventors: Yoshihiro Kiyota; Toyoji Muratani, both of Saitama, Japan

[73] Assignee: Sekisui Kagaku Kogyo Kabushiki Kaisha, Osaka, Japan

[**] Term: 14 Years

[21] Appl. No.: 196,631

[22] Filed: May 20, 1988

| | | | | |
|------------|---------|-------------|-------|-----------|
| D. 228,234 | 8/1973 | Willets | | D23/245 |
| 1,855,991 | 4/1932 | Saunders | | 251/331 |
| 2,397,373 | 3/1946 | Saunders | | 251/331 |
| 2,605,991 | 8/1952 | Kage | | 251/331 |
| 3,268,201 | 8/1966 | Little | | 251/331 X |
| 3,310,281 | 3/1967 | Botoler | | 251/331 |
| 3,628,770 | 12/1971 | Rost | | 251/331 |
| 4,214,604 | 7/1980 | Rumsey | | 251/331 |
| 4,545,565 | 10/1985 | Sano et al. | | 251/331 |

Primary Examiner—James R. Largen
Attorney, Agent, or Firm—Sughrue, Mion, Zinn, Macpeak & Seas

Related U.S. Application Data

[62] Division of Ser. No. 738,208, May 28, 1985.

[30] Foreign Application Priority Data

| | | | | |
|---------------|-----------------|-------|-------|--------------------------------------|
| Nov. 26, 1984 | [JP] | Japan | | 59-48534 |
| Nov. 26, 1984 | [JP] | Japan | | 59-48536 |
| [52] | U.S. Cl. | | | D23/245 |
| [58] | Field of Search | | | D23/233-237, D23/244-248; 251/331 |

[56] References Cited

U.S. PATENT DOCUMENTS

| | | | | |
|-----------|---------|-------|-------|---------|
| D. 88,613 | 12/1932 | Allen | | D23/245 |
|-----------|---------|-------|-------|---------|

[57] CLAIM

The ornamental design for a diaphragm valve, as shown and described.

DESCRIPTION

FIG. 1 is a front, top and left side perspective view of a diaphragm valve showing our new design; FIG. 2 is a front elevational view thereof; FIG. 3 is a rear elevational view thereof; FIG. 4 is a right side elevational view thereof; FIG. 5 is a left side elevational view thereof; FIG. 6 is a top plan view thereof; and FIG. 7 is a bottom plan view thereof.

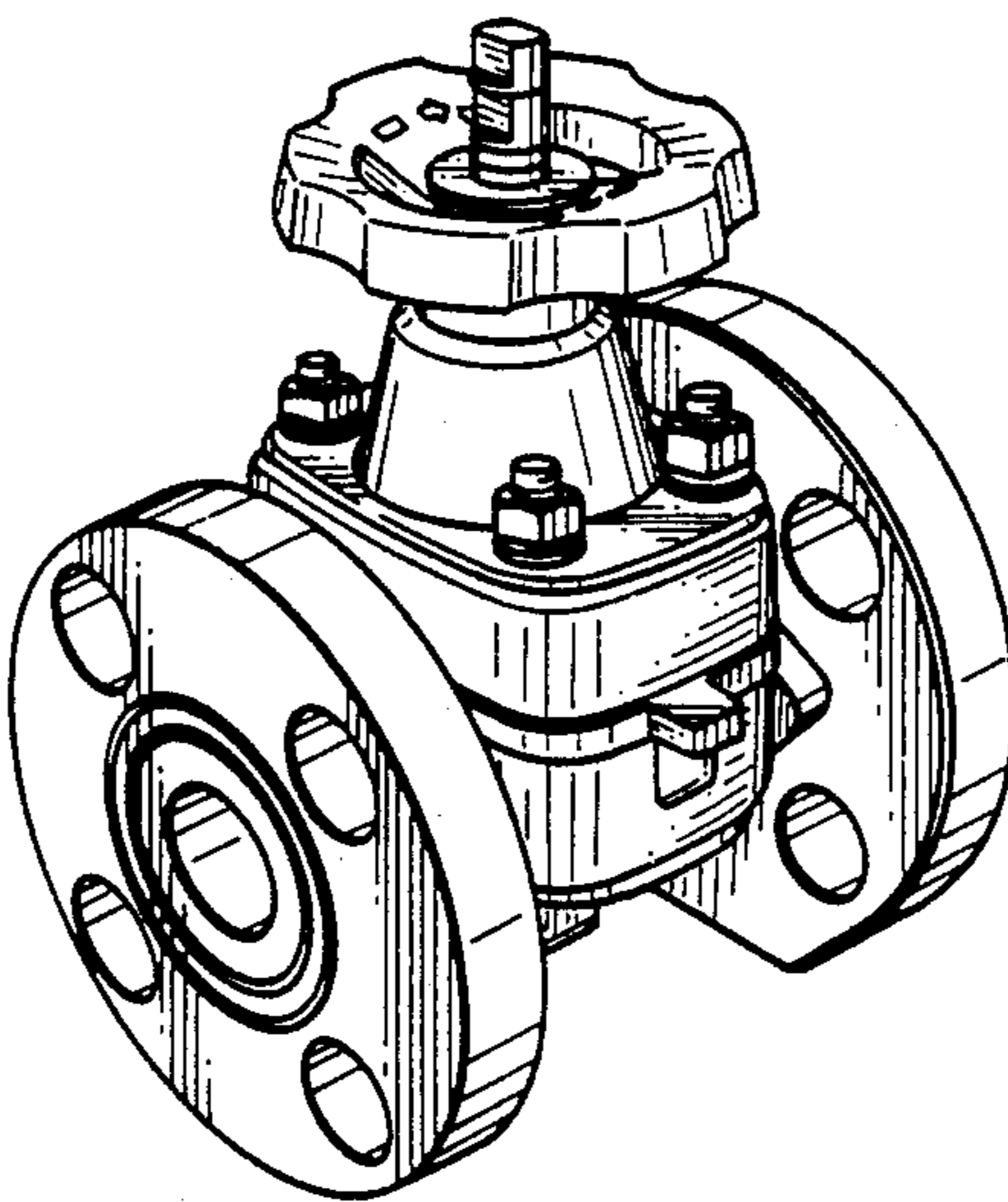


Fig. 1

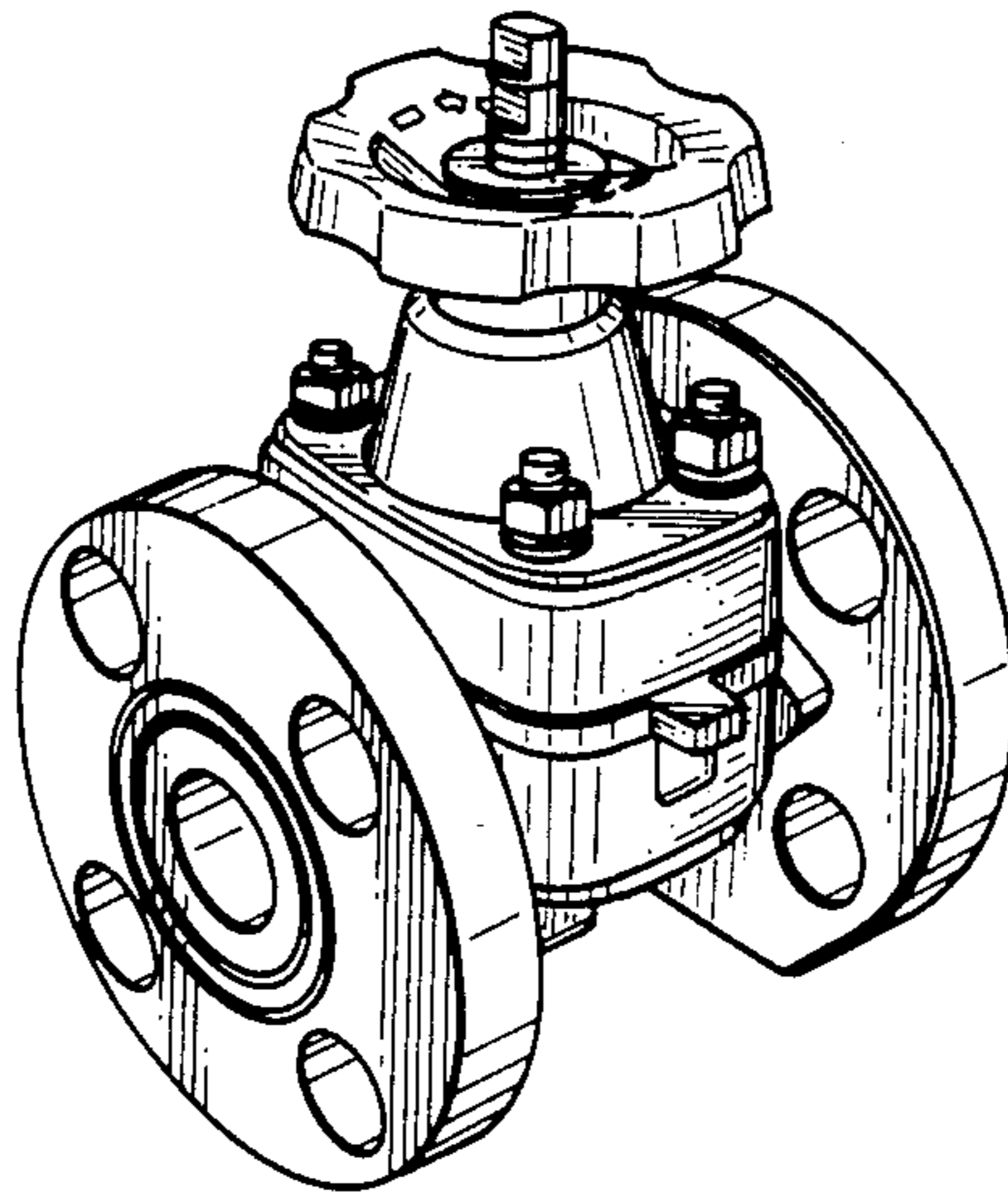


Fig. 2

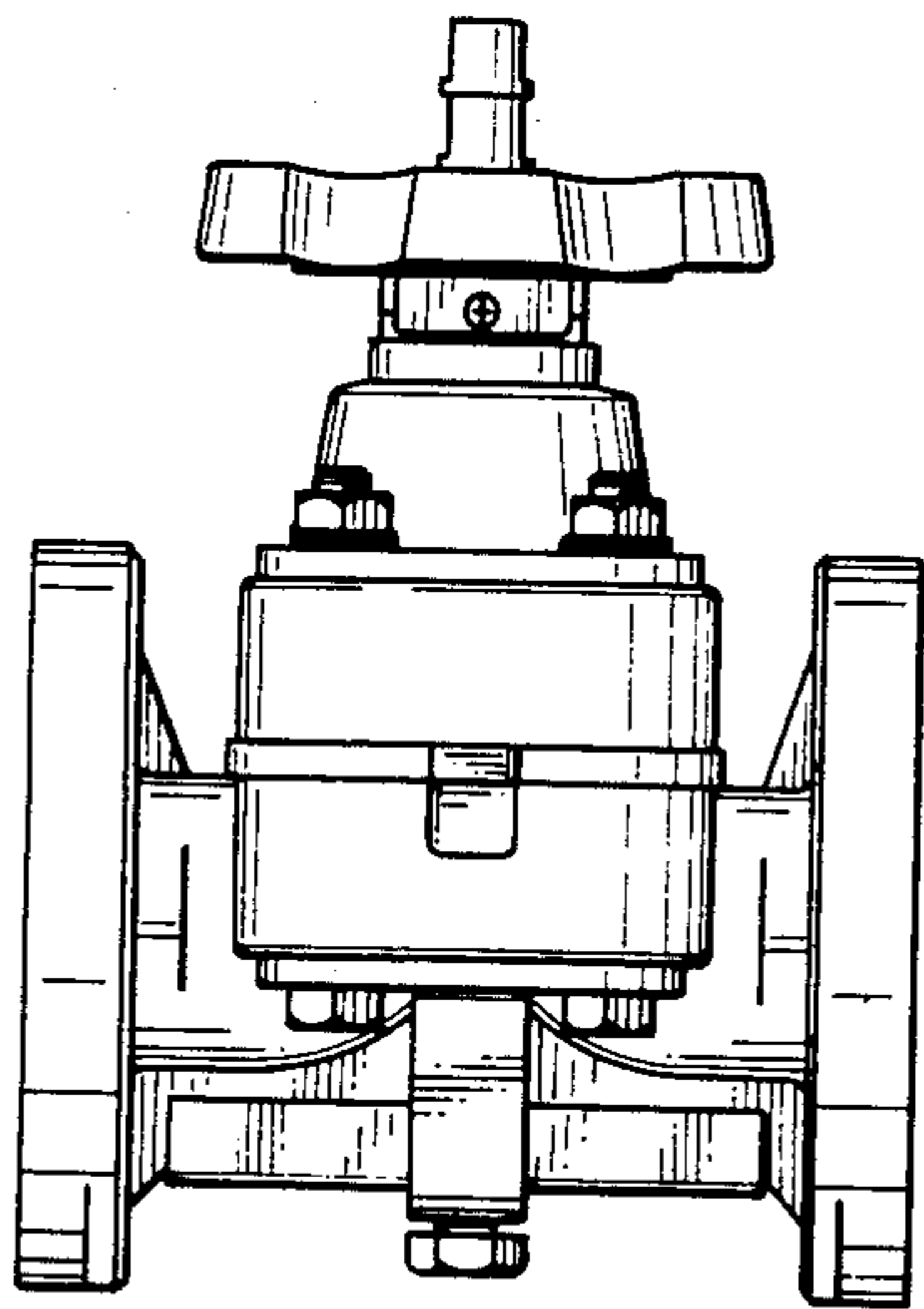


Fig. 3

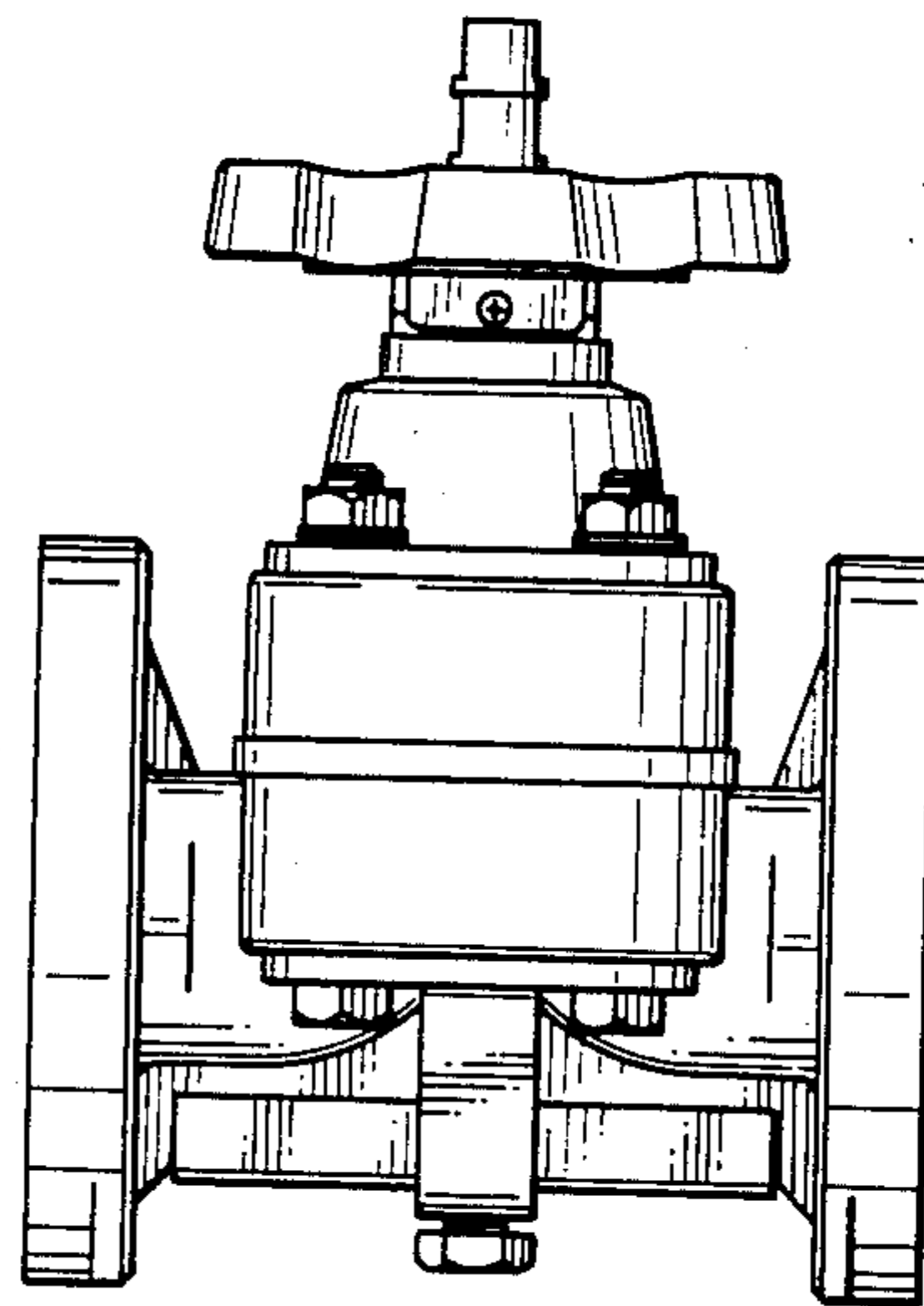


Fig. 4

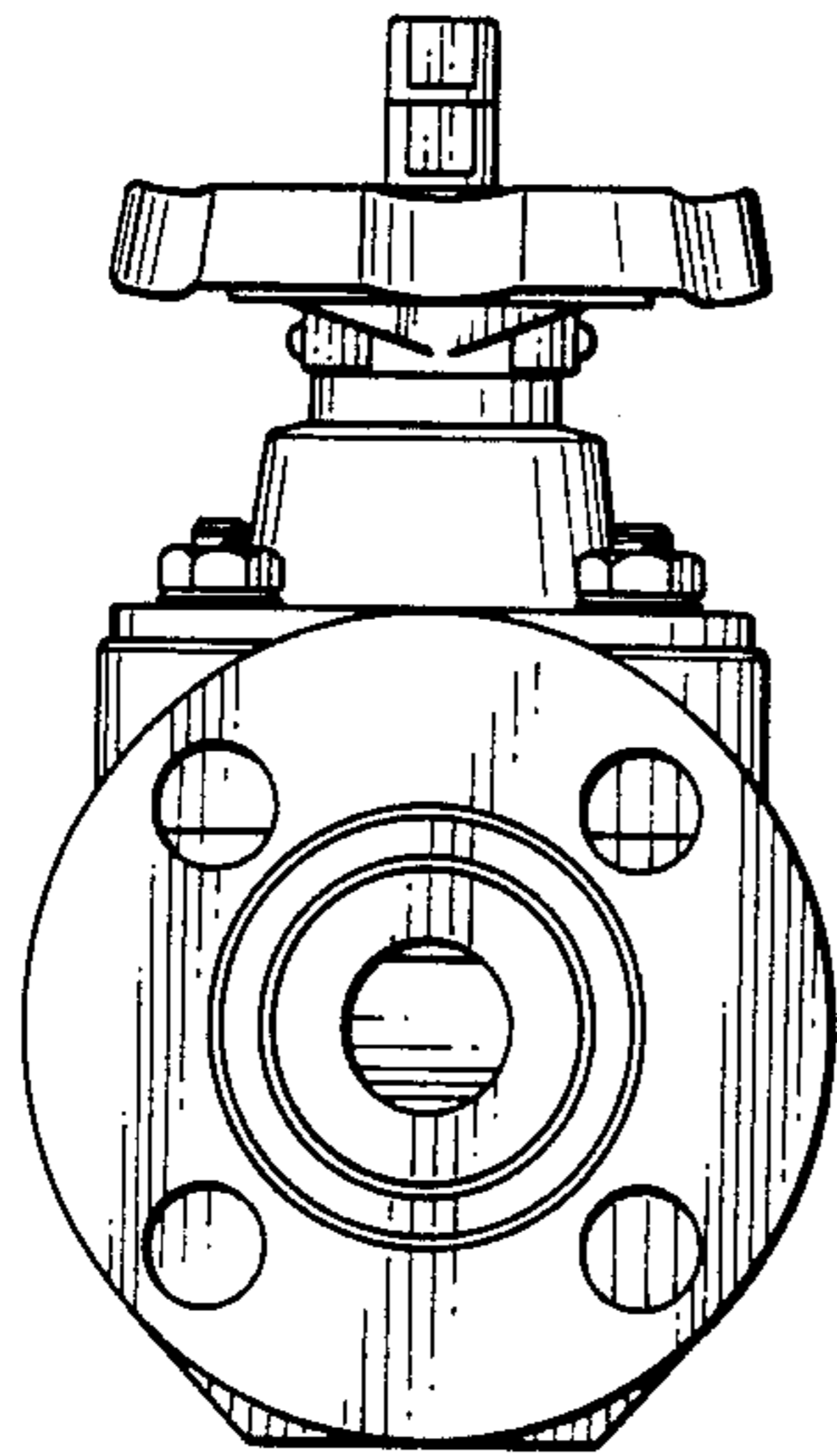


Fig. 5

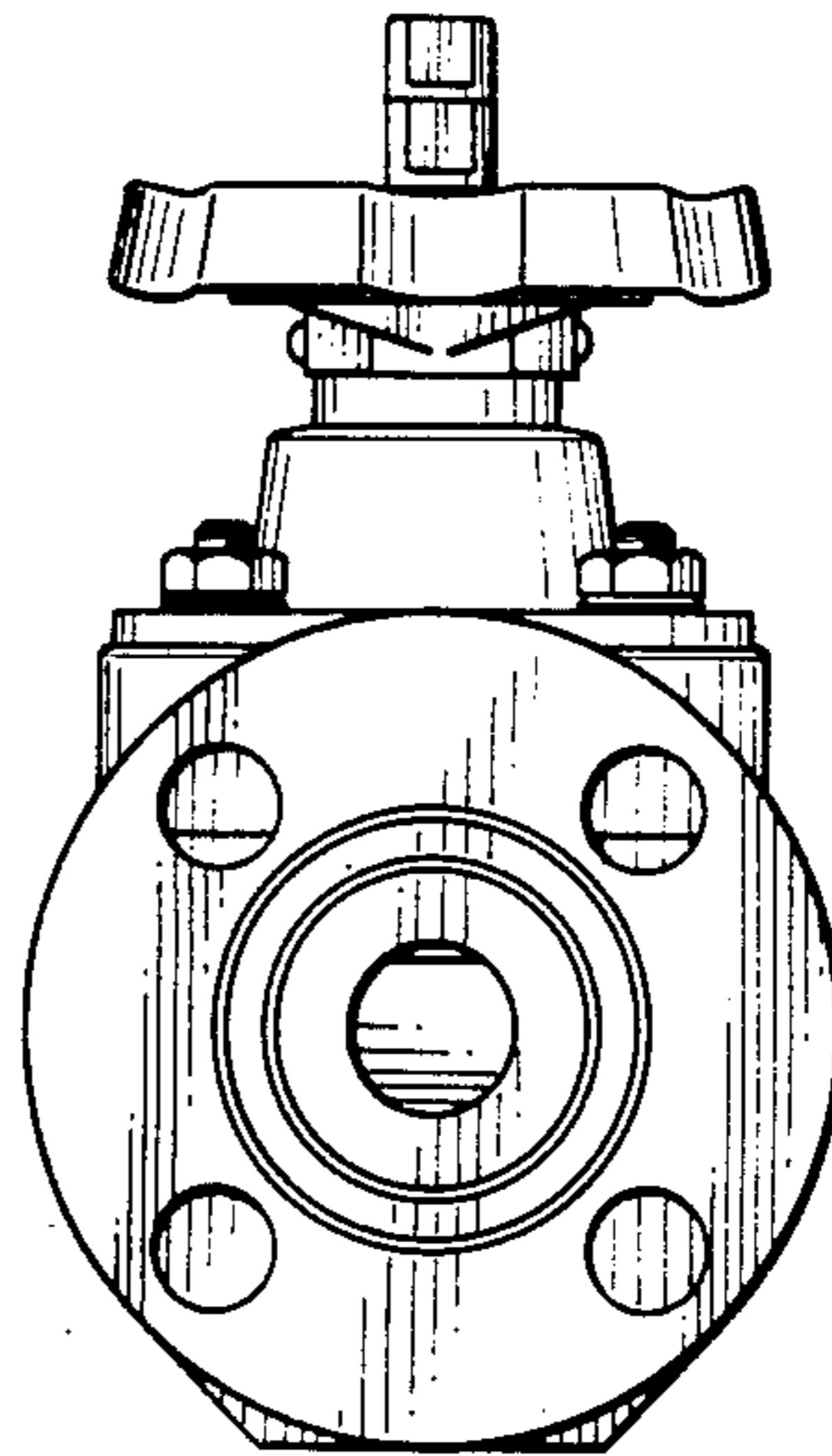


Fig. 6

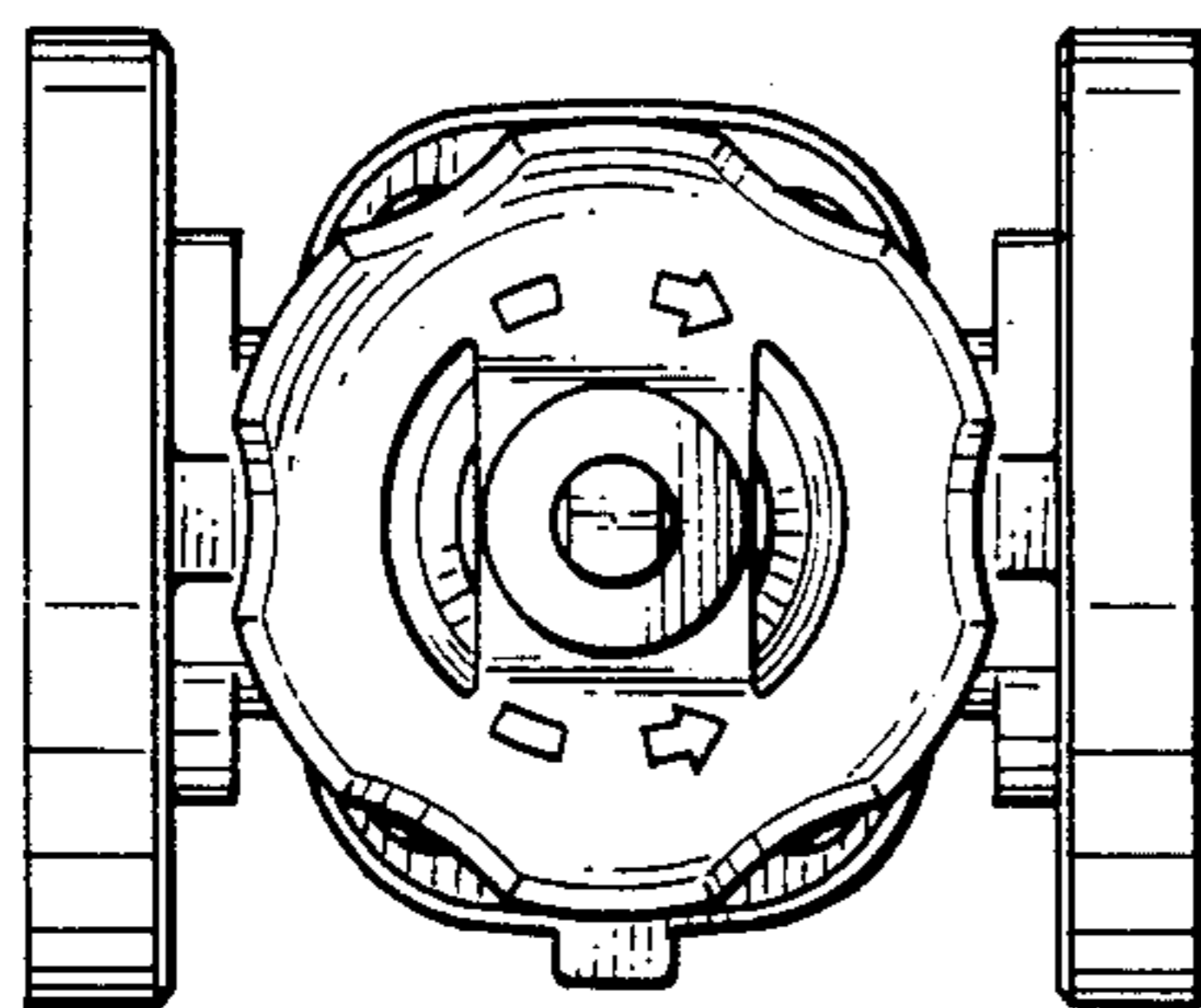


Fig. 7

