

[54] GARDEN HOSE PROTECTION VALVE
 [76] Inventor: Robert J. Pechler, 1166 NE. Ocean View Cir., Jensen Beach, Fla. 33457
 [**] Term: 14 Years
 [21] Appl. No.: 758,876
 [22] Filed: Jul. 25, 1985
 [52] U.S. Cl. D23/245
 [58] Field of Search D23/233-237, D23/244-249; 137/625.22; 251/309, 311, 312

3,349,799 10/1967 Mueller et al. 137/625.22
 3,423,067 1/1969 Foster 251/309
 3,434,691 3/1969 Hamilton 251/309 X
 3,636,969 1/1972 Jacobellis 137/115
 4,015,816 4/1977 Semon 251/309 X

Primary Examiner—James R. Largen
 Attorney, Agent, or Firm—Terry M. Gernstein

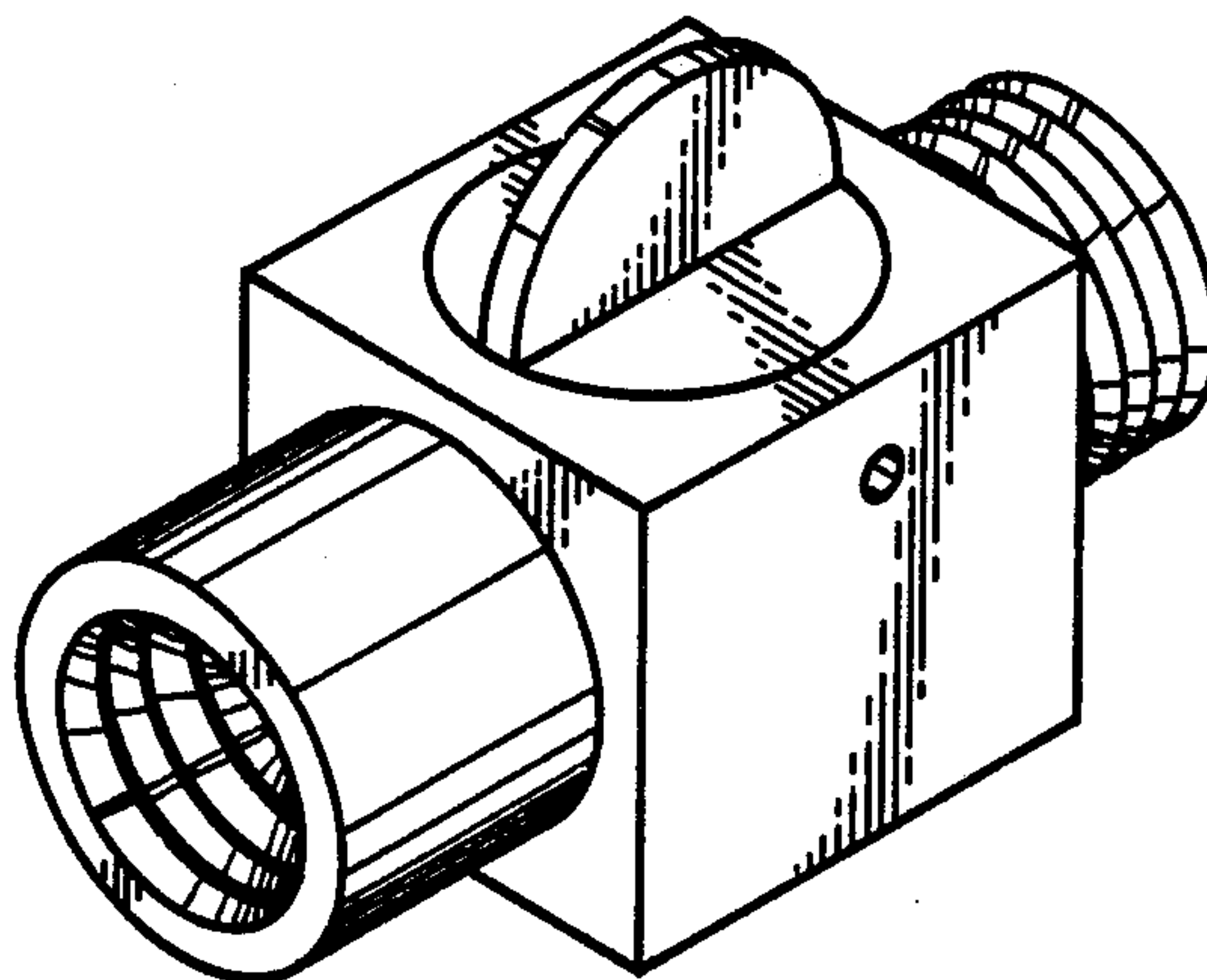
[57] CLAIM

The ornamental design for a garden hose protection valve, as shown and described.

DESCRIPTION

FIG. 1 is a side elevational view of a garden hose protection valve showing my new design;
 FIG. 2 is a top plan view thereof;
 FIG. 3 is a bottom plan view thereof;
 FIG. 4 is an elevational view thereof taken from the side opposite that shown in FIG. 1;
 FIG. 5 is a right end elevational view thereof;
 FIG. 6 is a left end elevational view thereof; and
 FIG. 7 is an isometric view thereof.

[56] References Cited
 U.S. PATENT DOCUMENTS
 D. 183,042 6/1958 Fuglie D23/245
 D. 191,425 9/1961 Popp D23/245
 D. 266,691 10/1982 Brunet D23/245
 1,305,964 6/1919 Dickson 137/469
 2,280,937 4/1942 Thornhill 137/469
 2,898,934 8/1959 Britt 137/512.1
 3,013,577 12/1961 Hildre 137/469
 3,229,720 1/1966 Hirschowitz 137/625.22



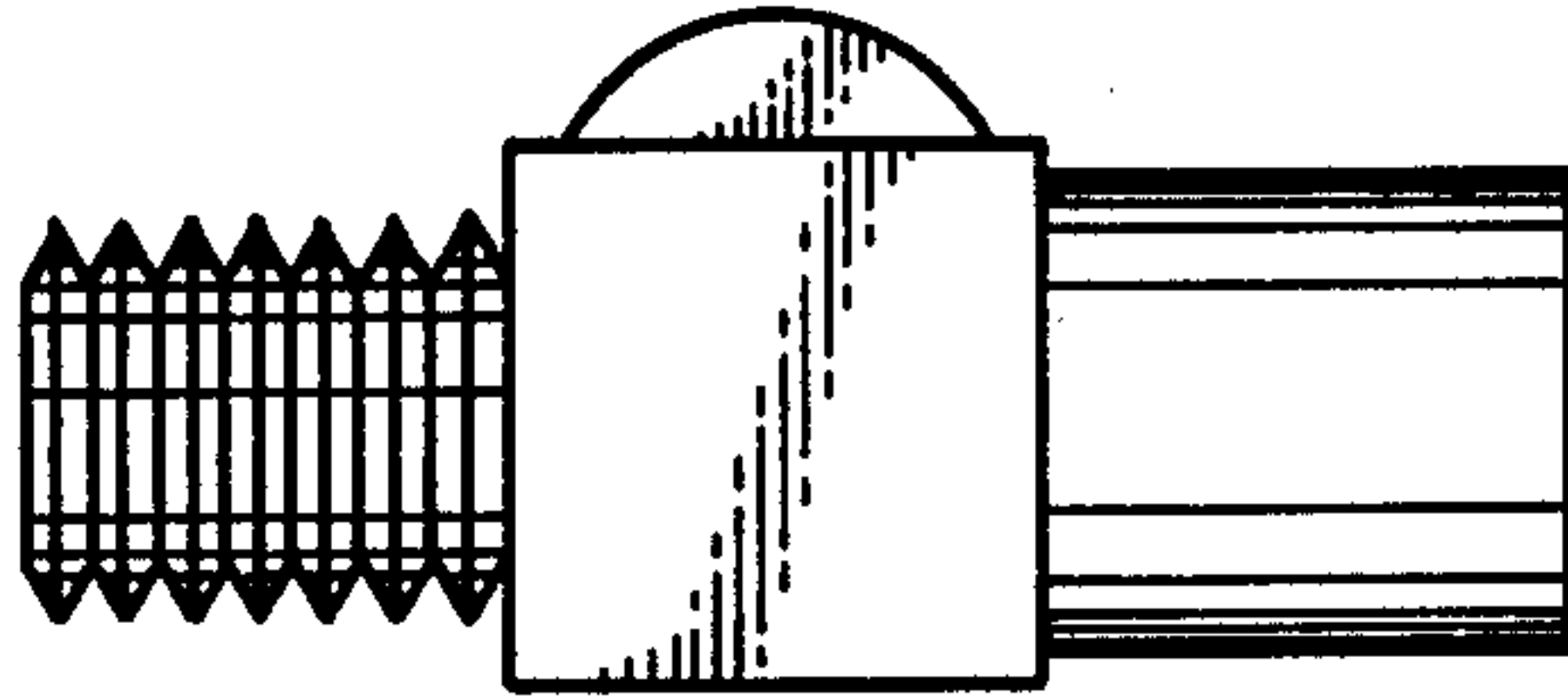


Fig. 1

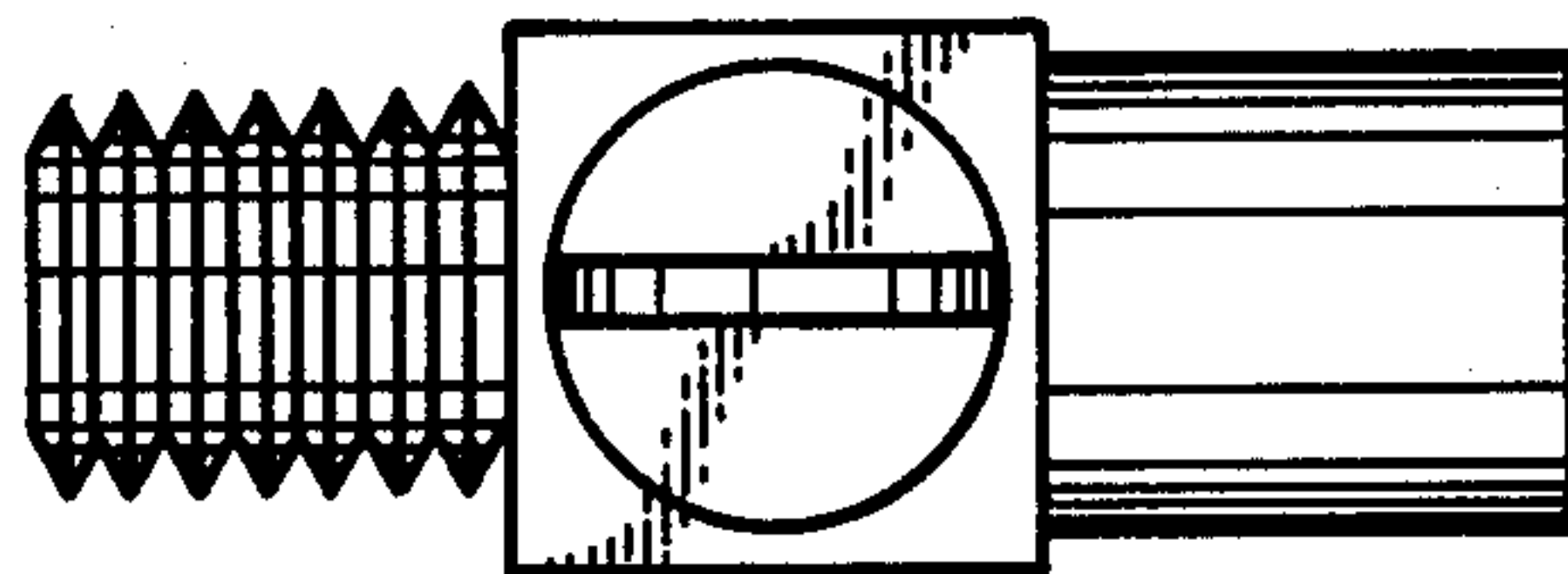


Fig. 2

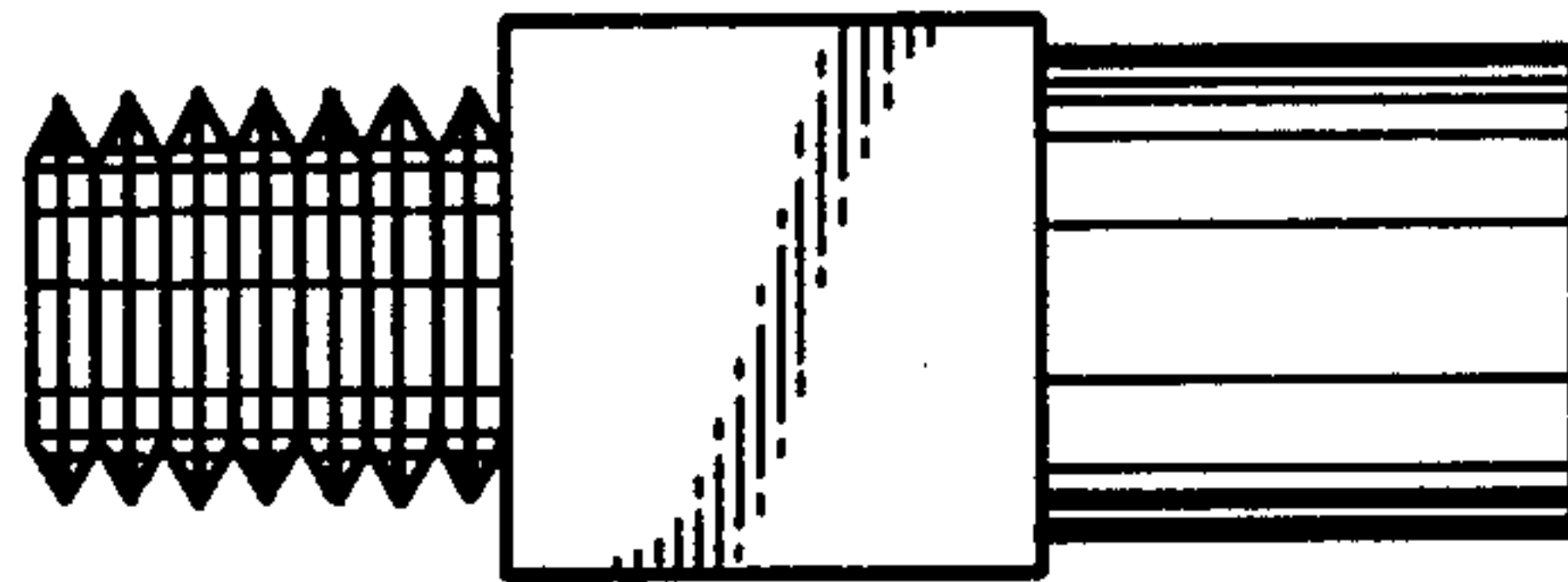


Fig. 3

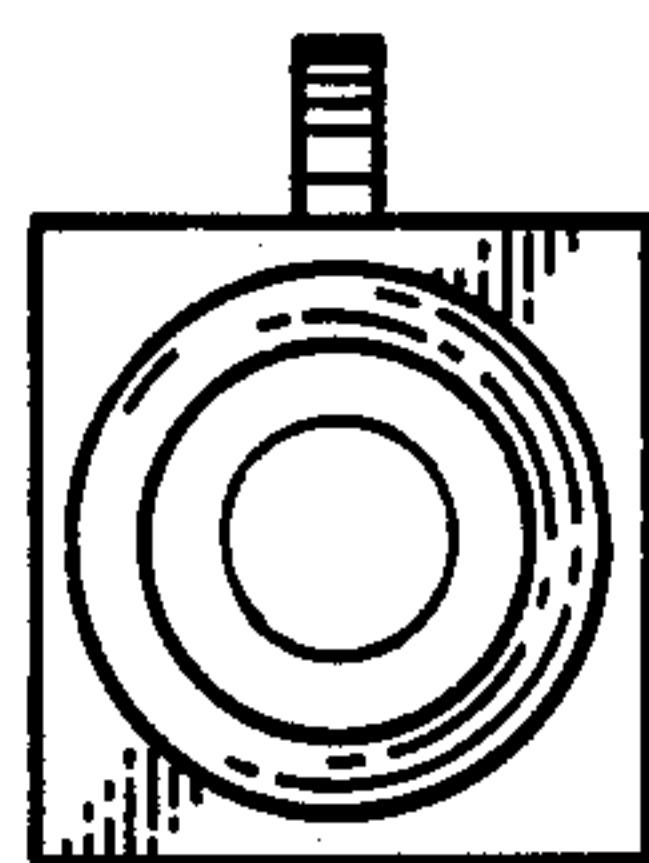


Fig. 5

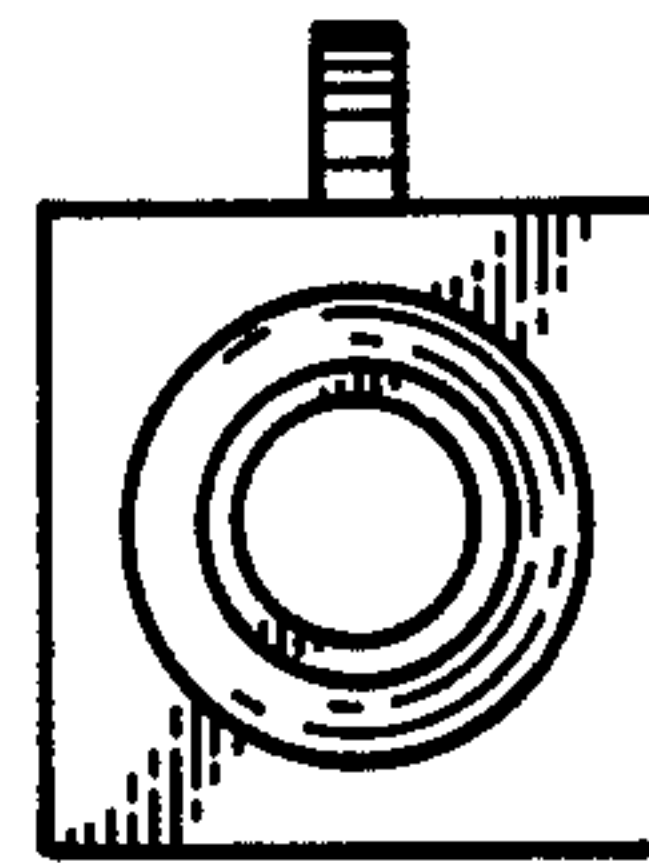


Fig. 6

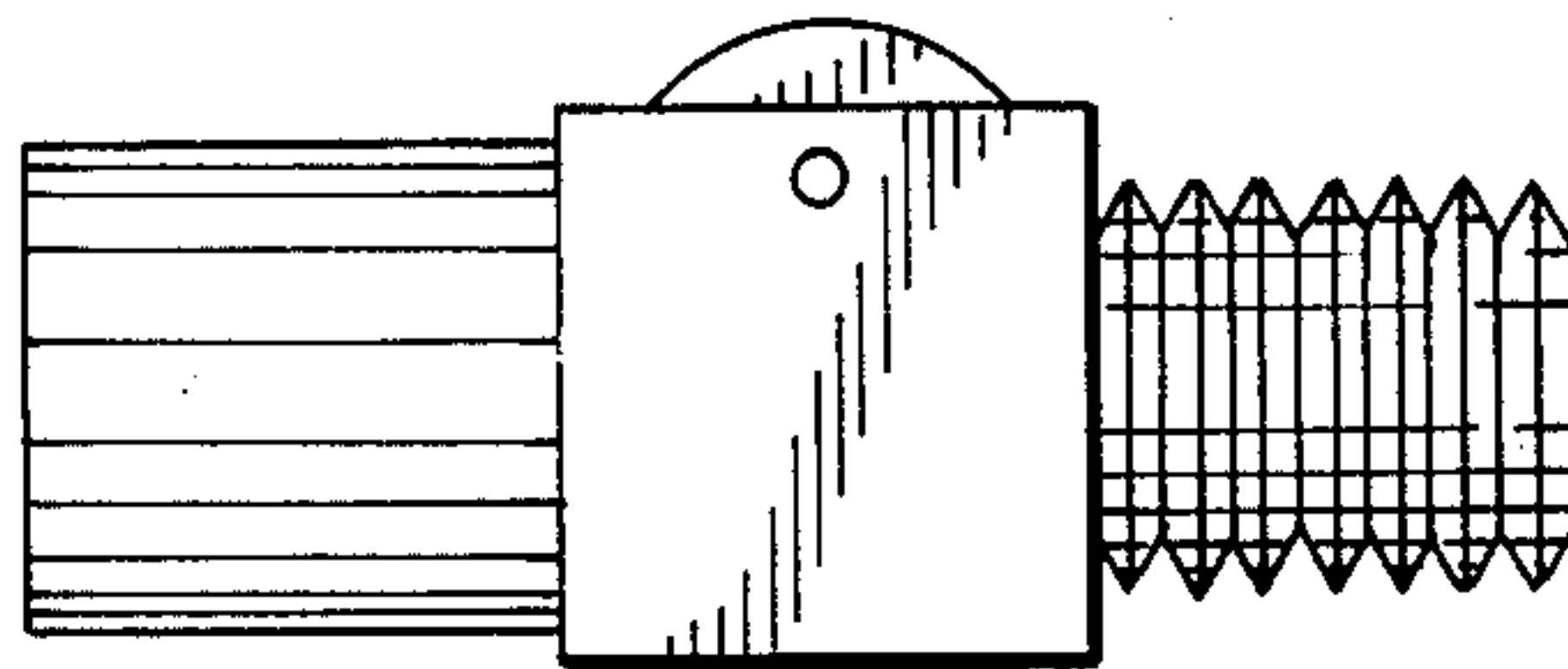


Fig. 4

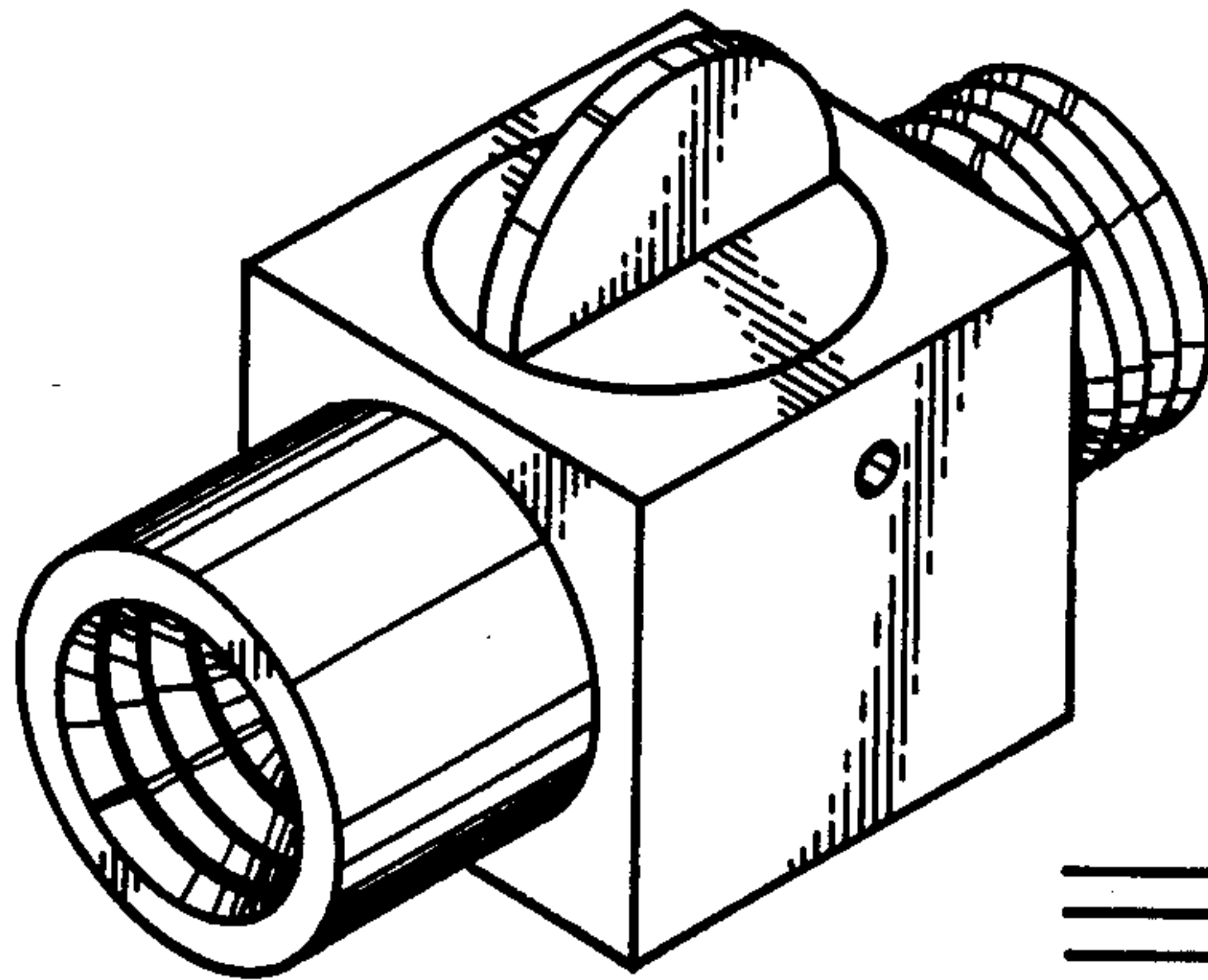


Fig. 7