

[54] **FAUCET SET**
 [75] **Inventor:** Wolfgang Fabian, Mannheim, Fed. Rep. of Germany
 [73] **Assignee:** American Standard Inc., New York, N.Y.
 [**] **Term:** 14 Years
 [21] **Appl. No.:** 902,328
 [22] **Filed:** Aug. 25, 1986
 [52] **U.S. Cl.** D23/242
 [58] **Field of Search** D23/238-243, D23/250-257; D8/300, 307-312; 4/191, 192; 137/801; 251/155

D.273,512 4/1984 Arnolds D23/242
 D. 278,270 4/1985 Niemann D23/255
 D. 279,596 7/1985 Rademacher D23/250
 D. 279,597 7/1985 Rademacher D23/250
 D. 279,598 7/1985 Rademacher D23/255
 D 284,992 8/1986 Joerger D23/242

Primary Examiner—James R. Largen
Attorney, Agent, or Firm—James J. Salerno, Jr.; Robert G. Crooks; John P. Sinnott

[56] **References Cited**
U.S. PATENT DOCUMENTS

D. 237,613 11/1975 Saporito et al. D23/242
 D. 258,520 3/1981 Therenot D23/242
 D. 261,027 9/1981 Klose D23/255
 D. 265,579 7/1982 Paul D23/242
 D. 271,706 12/1983 Fabian D23/255

[57] **CLAIM**

The ornamental design for a faucet set, as shown and described.

DESCRIPTION

FIG. 1 is a top plan view of a faucet set, embodying my new design;
 FIG. 2 is a front elevational view thereof;
 FIG. 3 is a rear elevational view thereof;
 FIG. 4 is a bottom plan view thereof; and
 FIG. 5 is a left side elevational view of the spout portion thereof, the right side being a mirror image of the left side shown.

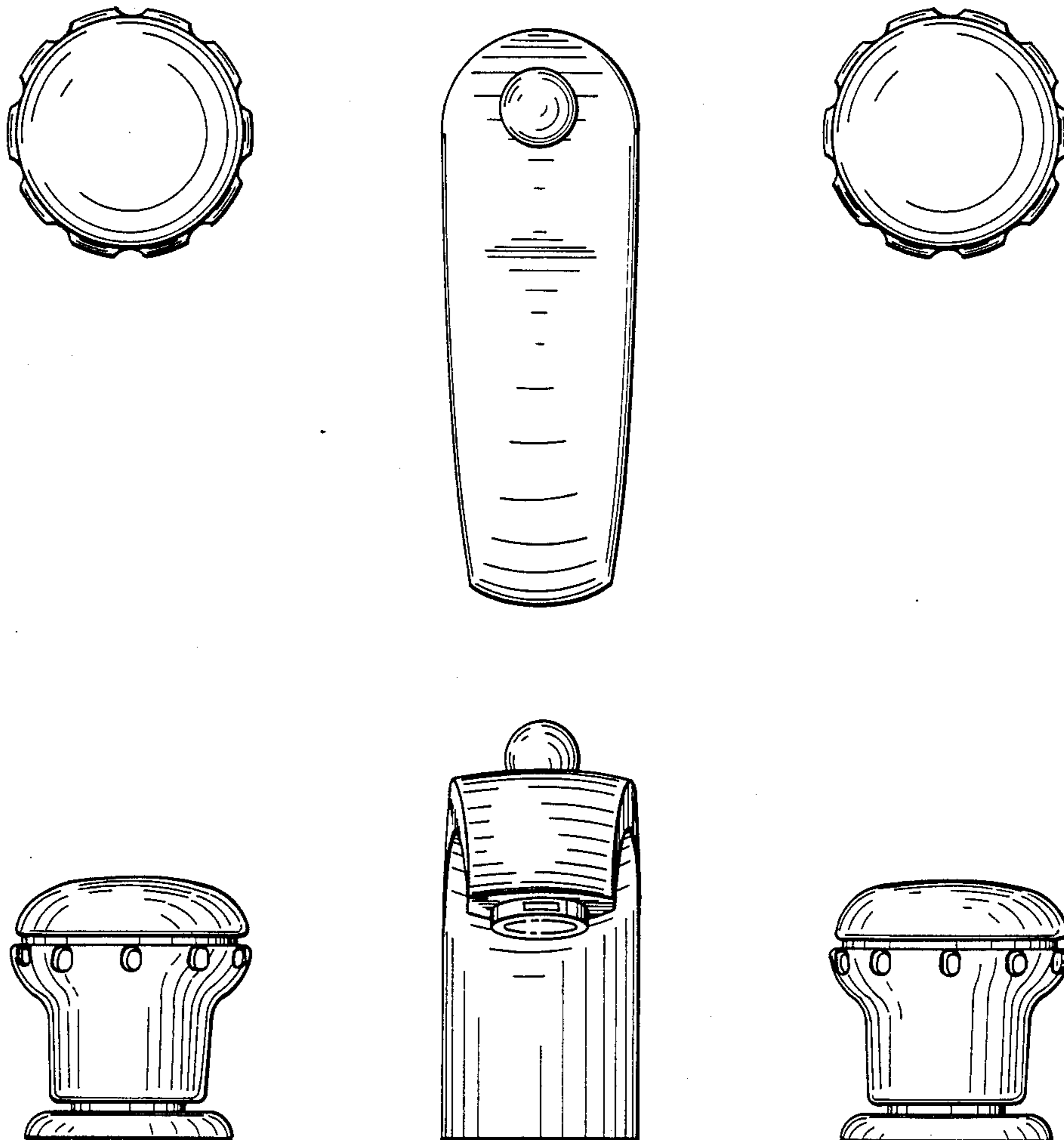


FIG. 1

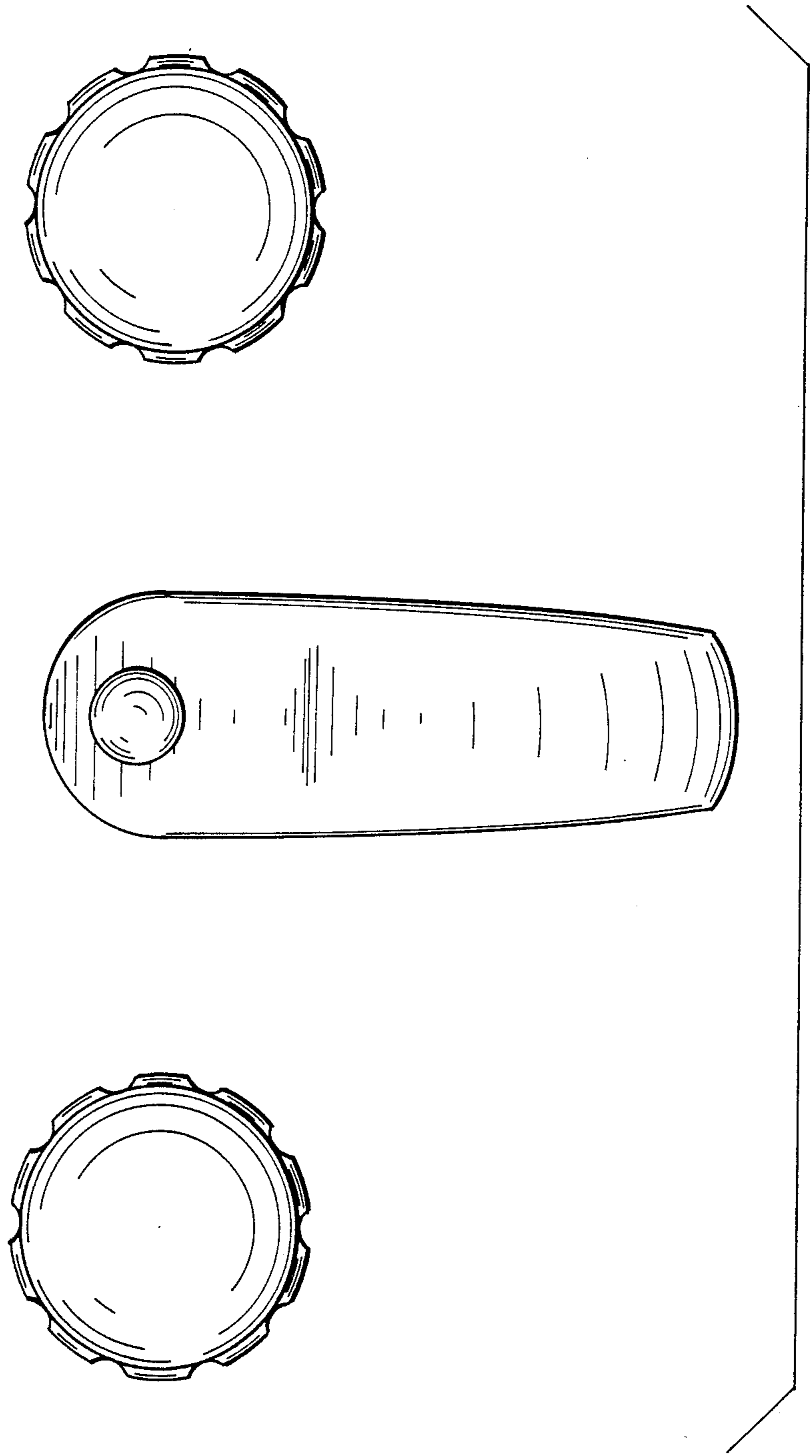


FIG. 2

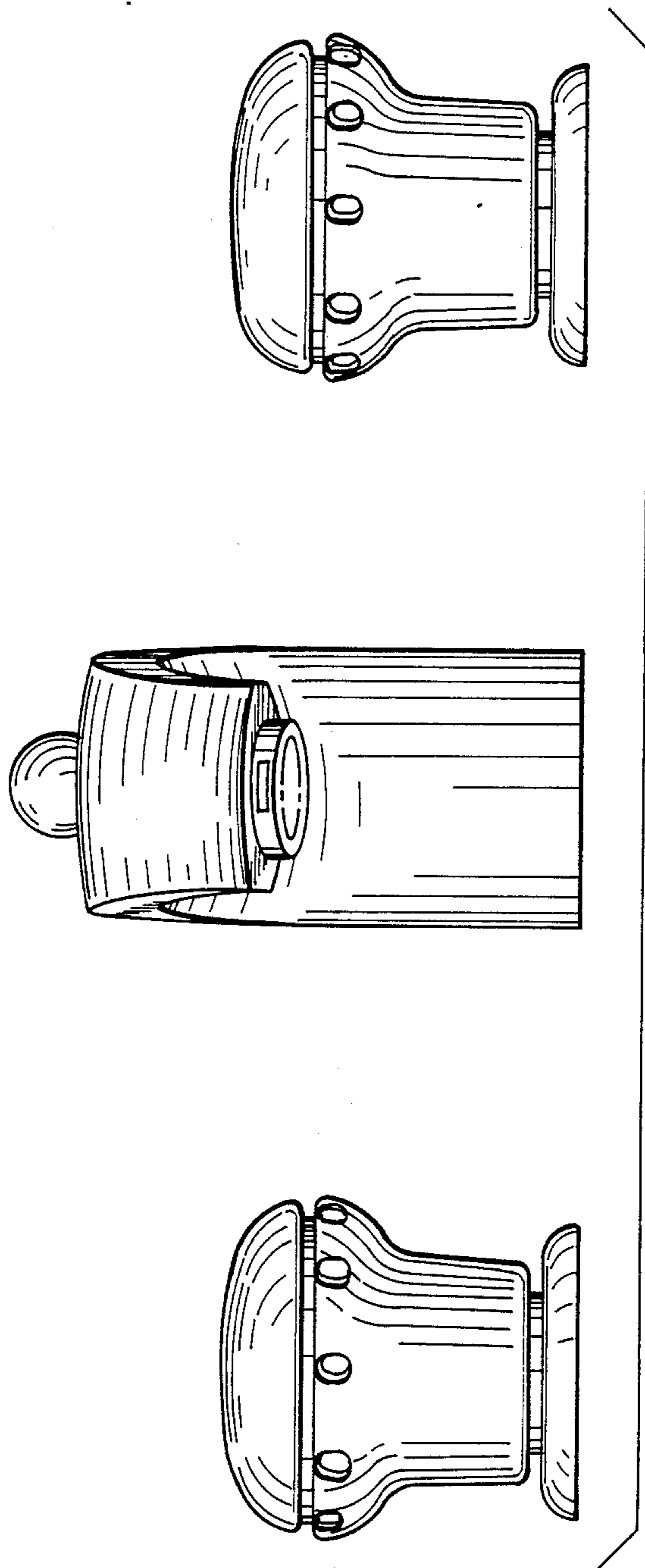


FIG. 3

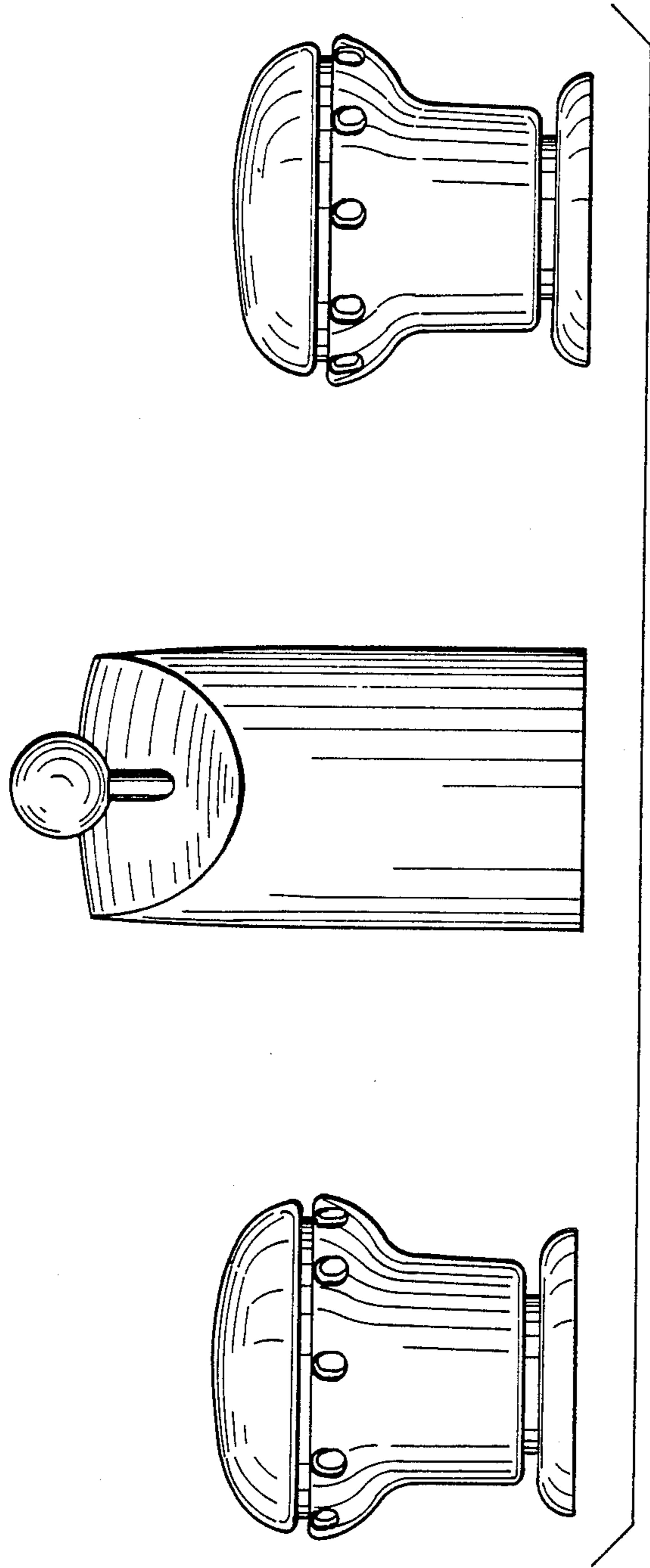
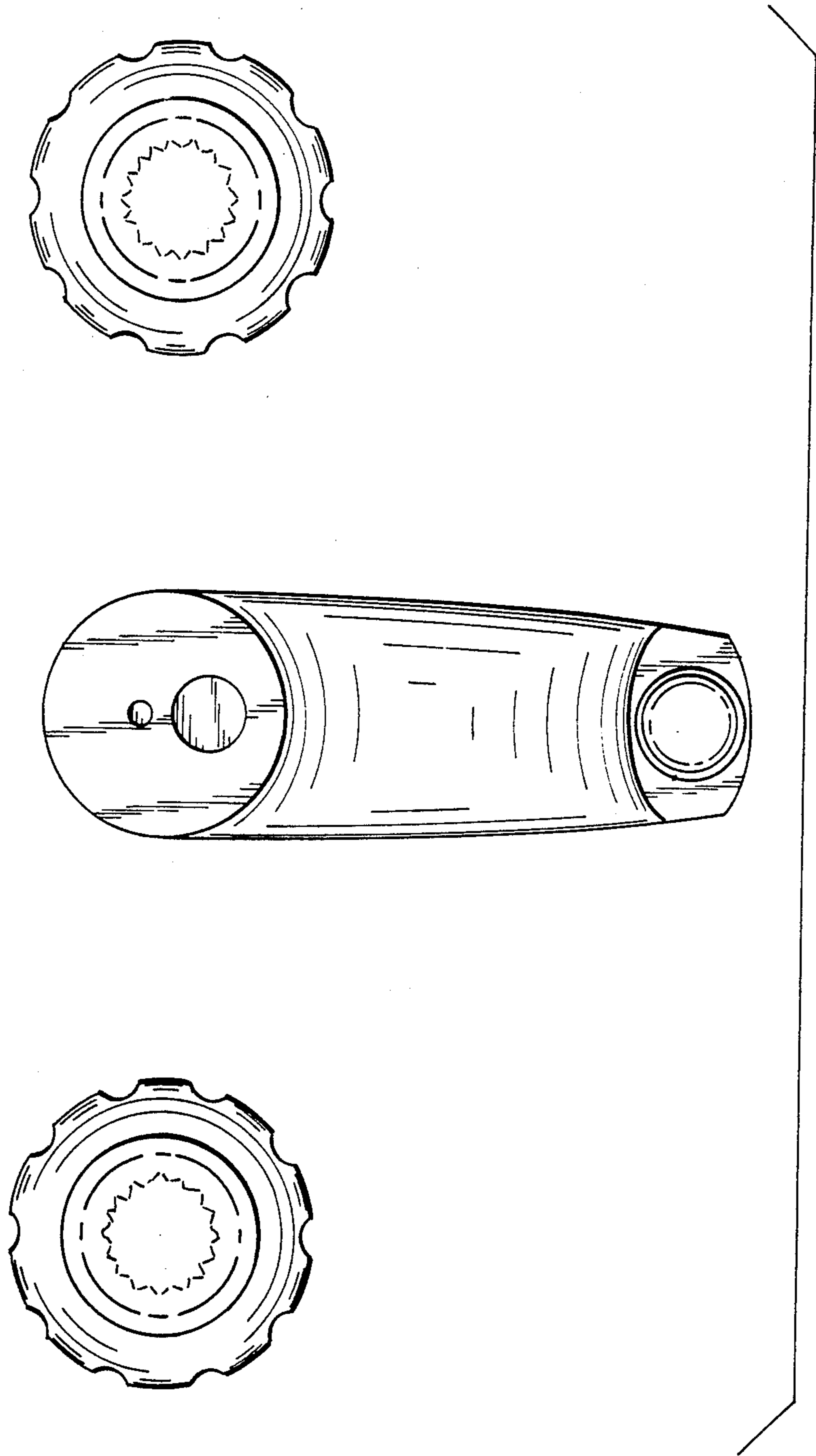


FIG. 4



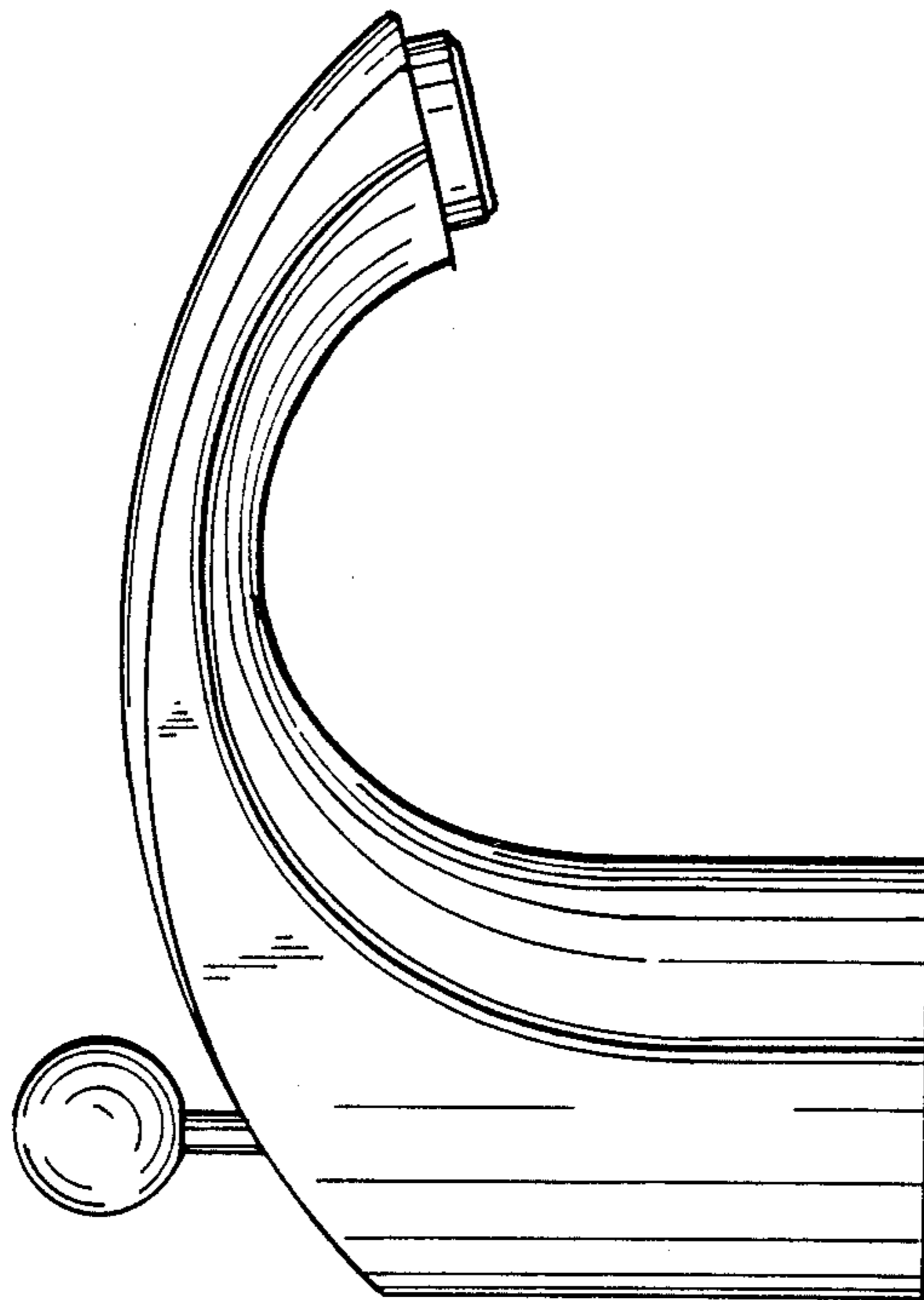


FIG. 5