

United States Patent [19]

Wang

[11] Patent Number: **Des. 299,516**

[45] Date of Patent: **** Jan. 24, 1989**

[54] **WATER FLOW CONTROL UNIT**

[76] Inventor: **Po-Hsiung Wang**, No. 91, Kuo Tai Road, Chu Nan Chen, Miao Li Hsien, Taiwan, R.O.C., Taiwan

[**] Term: **14 Years**

[21] Appl. No.: **818,976**

[22] Filed: **Jan. 15, 1986**

[52] U.S. Cl. **D23/200**

[58] Field of Search **D23/200, 214, 233, 238, D23/245-246; D10/46, 96, 99, 101-102; 137/624.11, 624.12; 239/67-70**

[56] **References Cited**

U.S. PATENT DOCUMENTS

D. 191,294 9/1961 Chamota D23/246
D. 235,145 5/1975 Fernandez D23/245

D. 247,717 4/1978 Sturman et al. D23/245
D. 289,431 4/1987 Clivio et al. D23/246

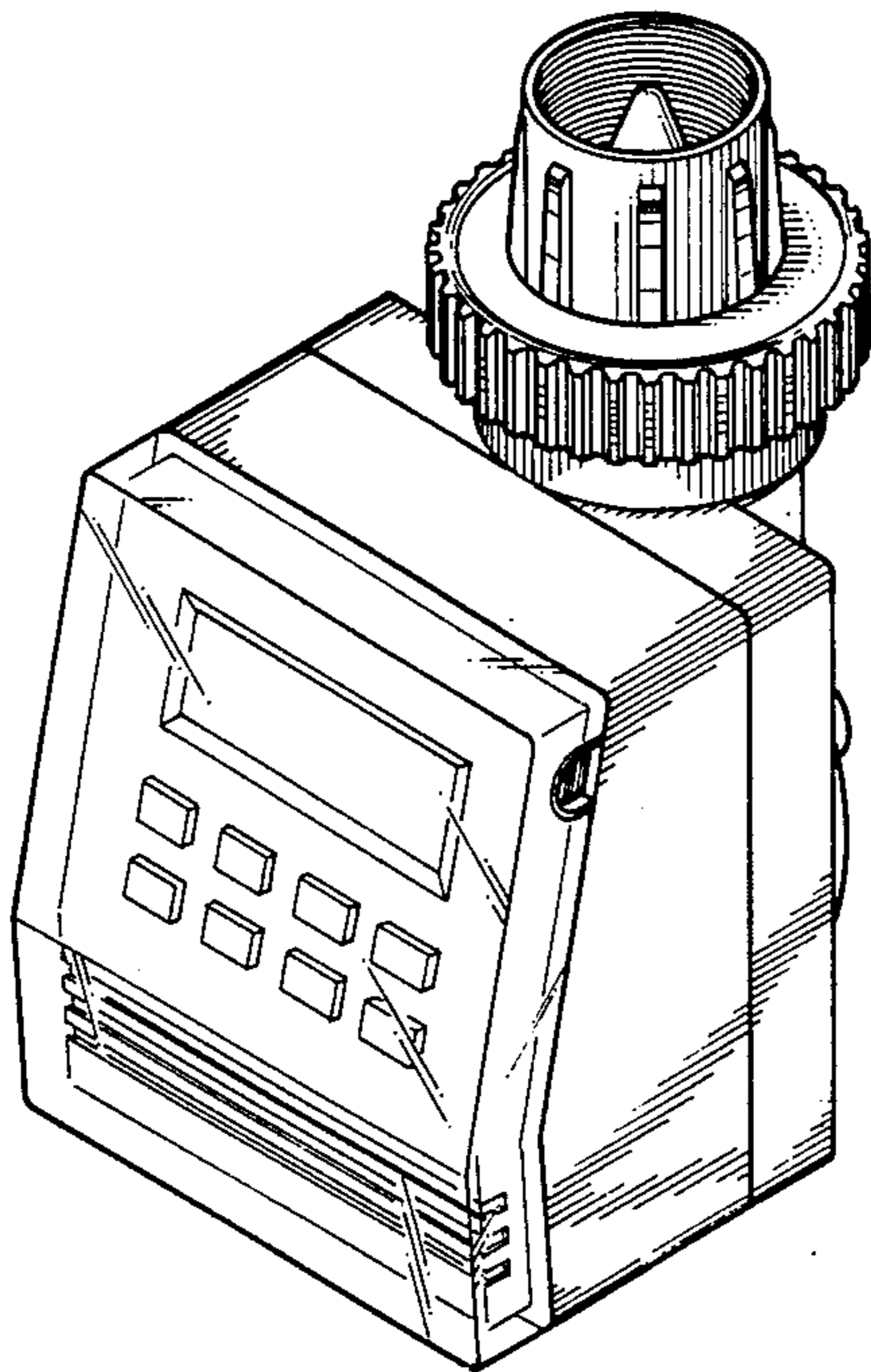
Primary Examiner—Wallace R. Burke
Assistant Examiner—Brian N. Vinson
Attorney, Agent, or Firm—Bacon & Thomas

[57] **CLAIM**

The ornamental design for a water flow control unit, as shown and described.

DESCRIPTION

FIG. 1 is a perspective view of a water flow control unit showing my new design;
FIG. 2 is a top plan view thereof;
FIG. 3 is a bottom plan view thereof;
FIG. 4 is a left side elevational view thereof;
FIG. 5 is a right side elevational view thereof;
FIG. 6 is a front elevational view thereof; and
FIG. 7 is a rear elevational view thereof.



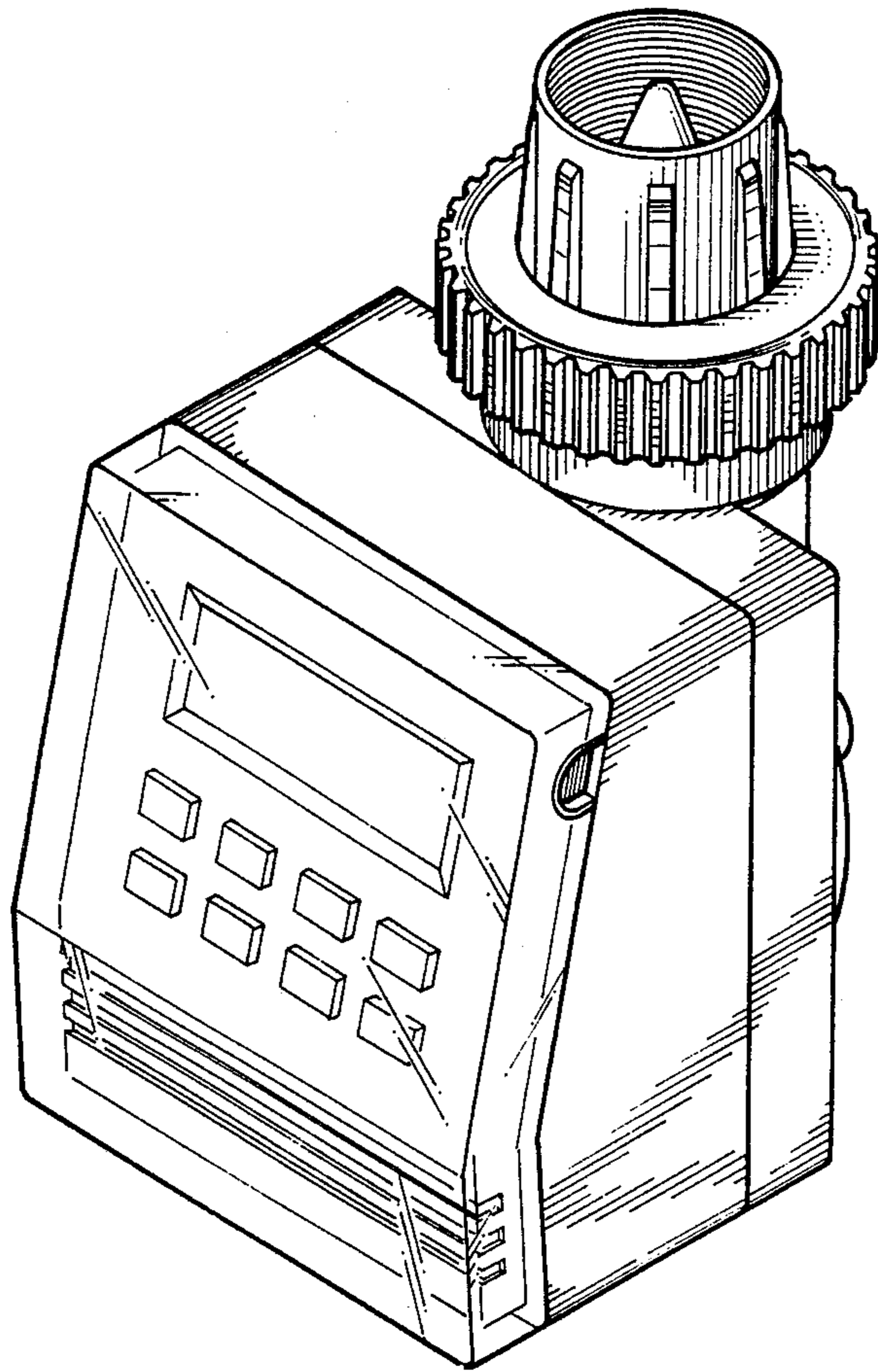


FIG. 1

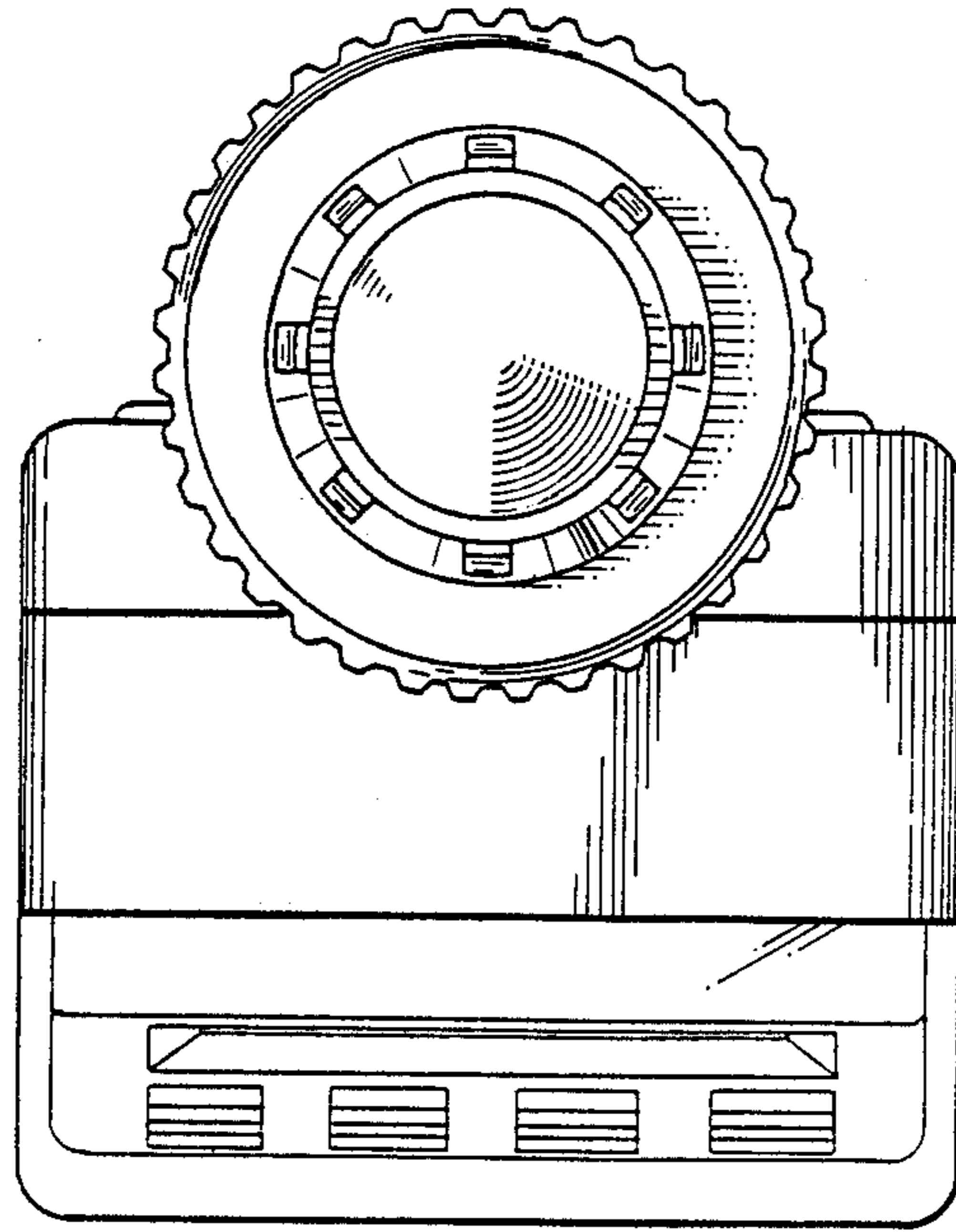


FIG. 2

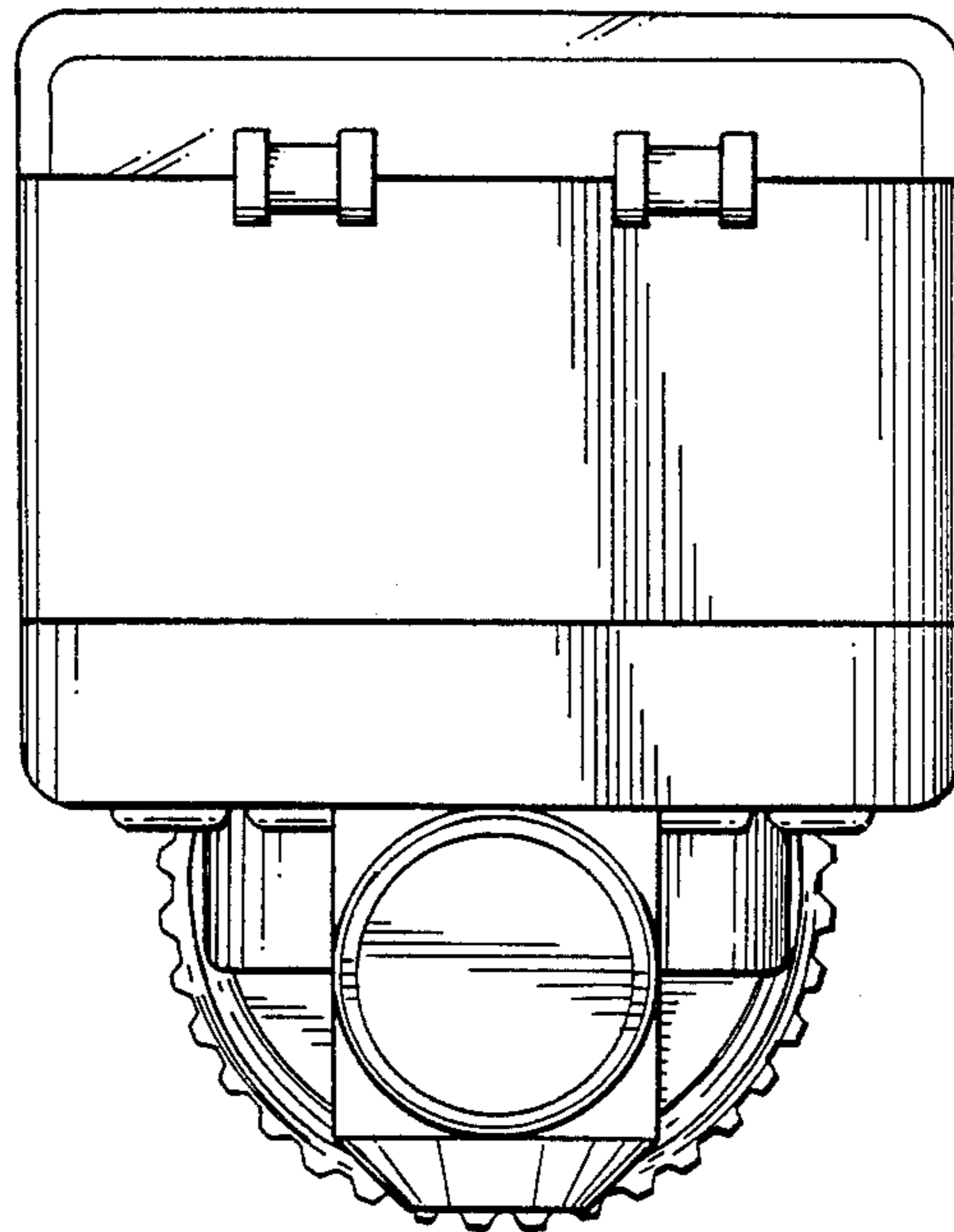


FIG. 3

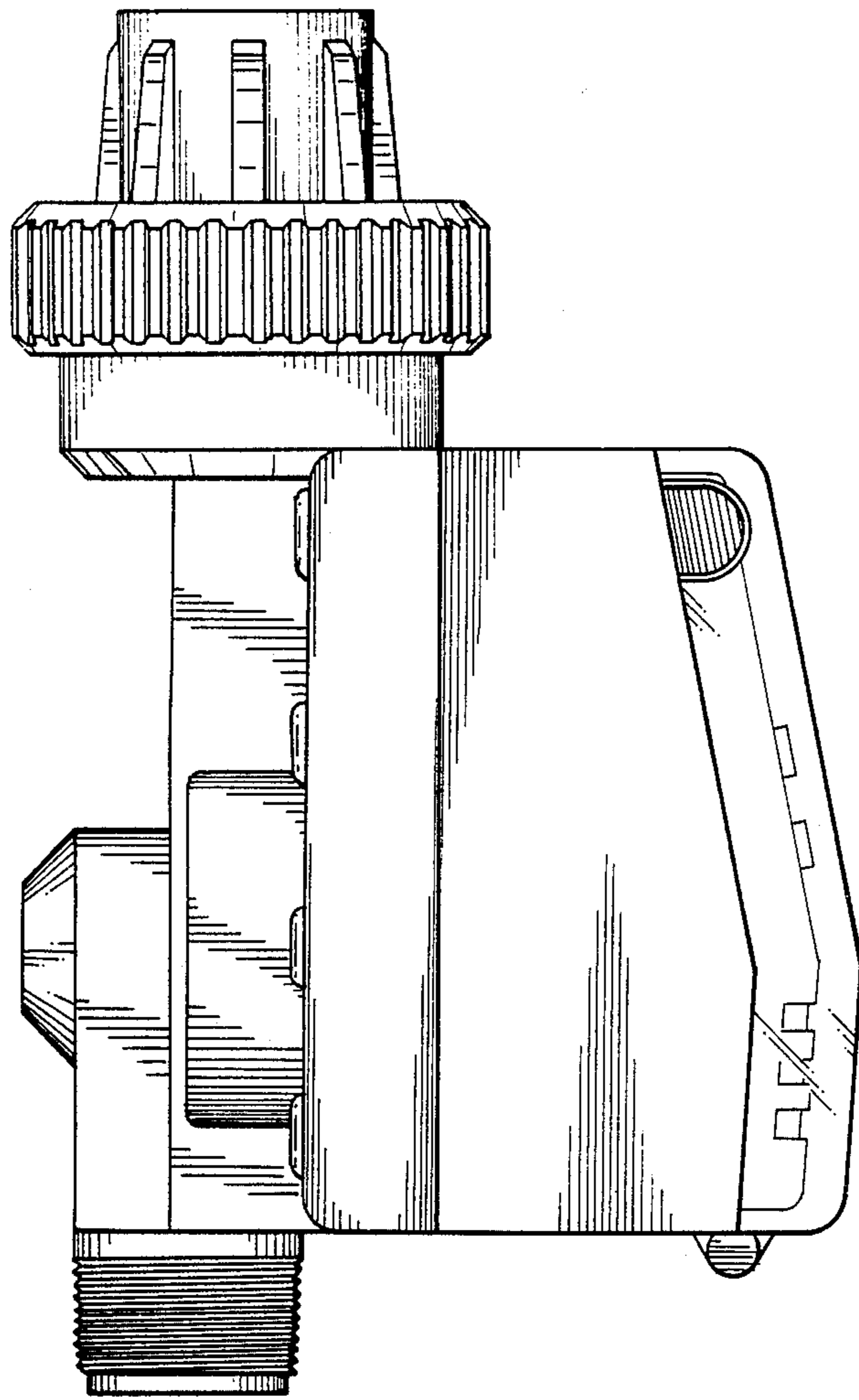


FIG. 4

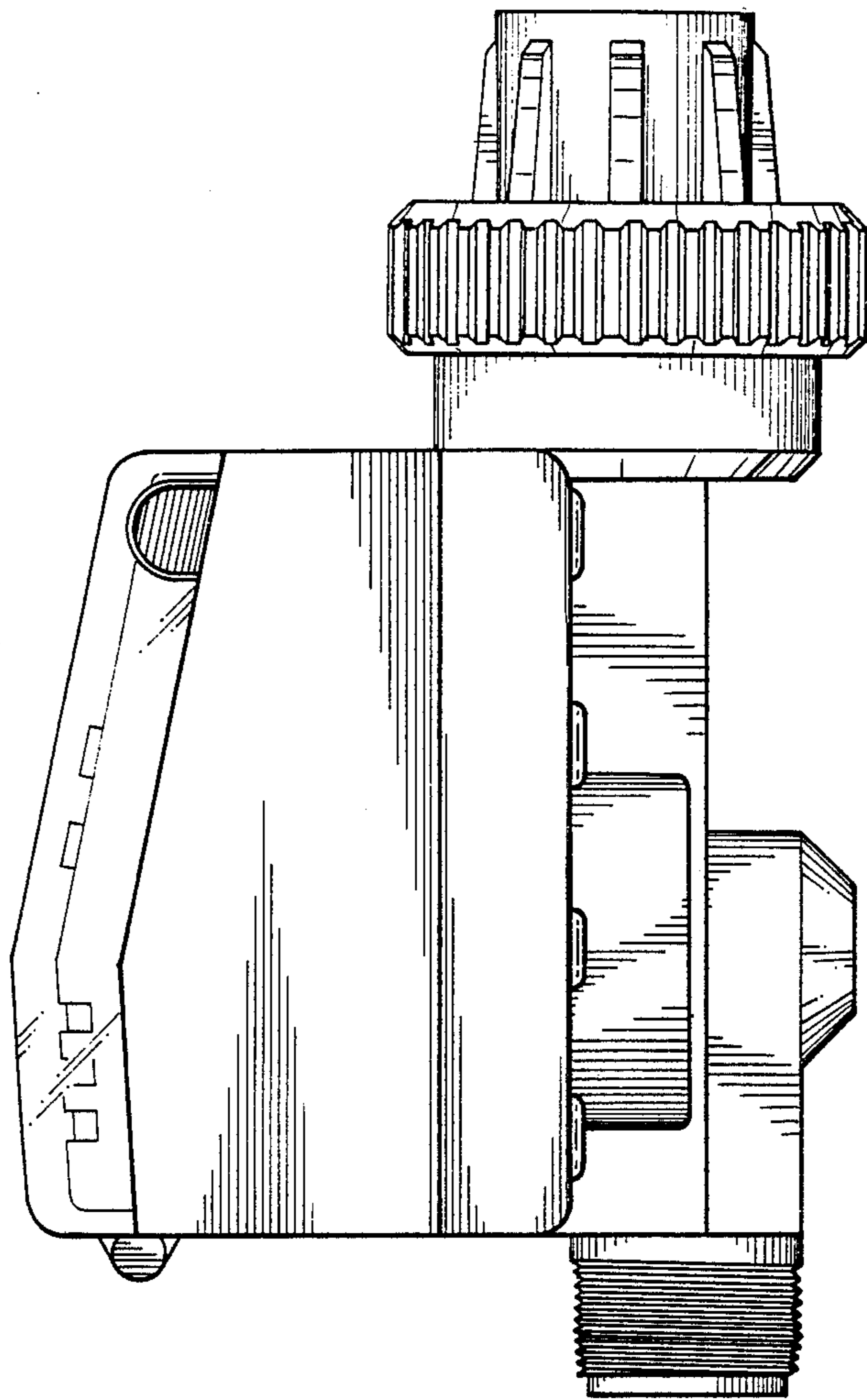


FIG. 5

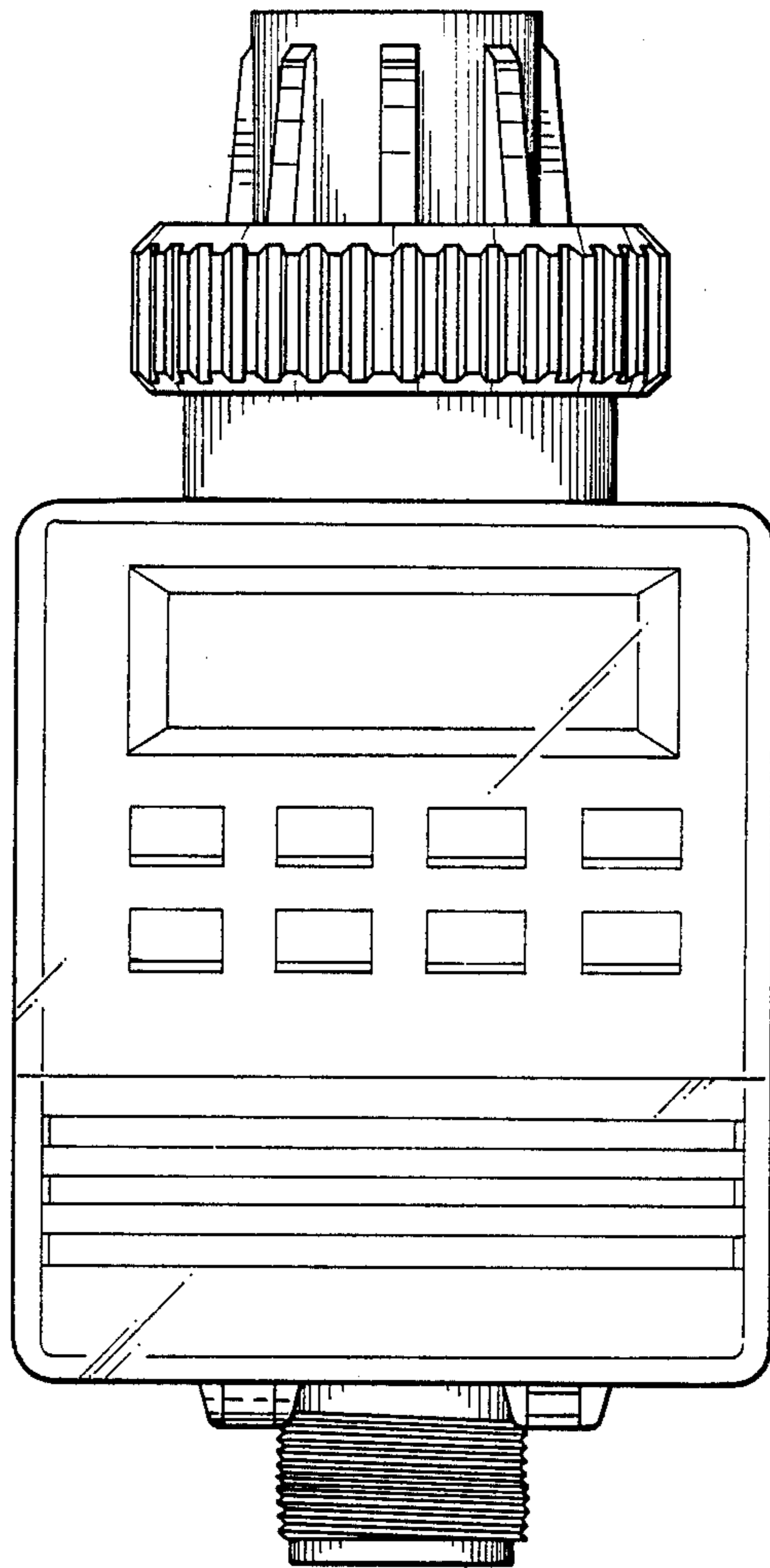


FIG. 6

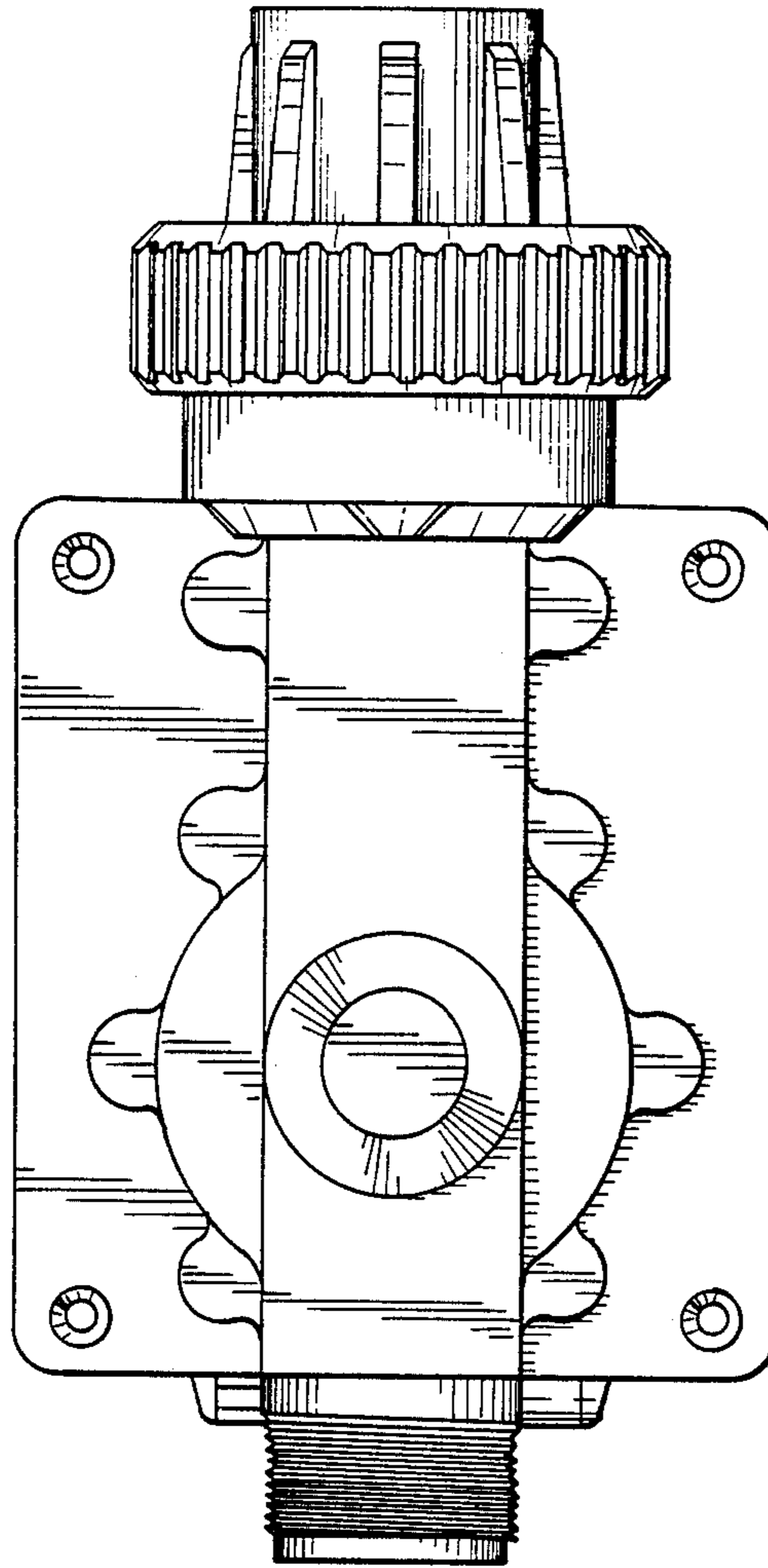


FIG. 7