

# United States Patent [19]

Kameda

[11] Patent Number: Des. 299,512

[45] Date of Patent: \*\* Jan. 24, 1989

[54] REEL FOR FISHING

[75] Inventor: Yasuhisa Kameda, Musashino, Japan

[73] Assignee: Daiwa Seiko, Inc., Tokyo, Japan

[\*\*] Term: 14 Years

[21] Appl. No.: 881,178

[22] Filed: Jul. 1, 1986

[30] Foreign Application Priority Data

Jan. 7, 1986 [JP] Japan ..... 61-105

[52] U.S. Cl. .... D22/141

[58] Field of Search ..... D22/141; 242/84.1 R,  
242/84.2 R, 84.2 J

[56] References Cited

U.S. PATENT DOCUMENTS

D. 193,788 10/1962 Wood ..... D22/141

D. 270,081 8/1983 Fee et al. .... D22/141

Primary Examiner—A. Hugo Word  
Attorney, Agent, or Firm—Bacon & Thomas

[57] CLAIM

The ornamental design for a reel for fishing, as shown.

## DESCRIPTION

FIG. 1 is a top, front and left side perspective view of a reel for fishing showing my new design;

FIG. 2 is a top, rear and right side perspective view thereof;

FIG. 3 is a top, front and right side perspective view thereof;

FIG. 4 is a front elevational view thereof;

FIG. 5 is a rear elevational view thereof;

FIG. 6 is a top plan view thereof;

FIG. 7 is a right side elevational view thereof;

FIG. 8 is a left side elevational view thereof; and

FIG. 9 is a bottom plan view thereof.

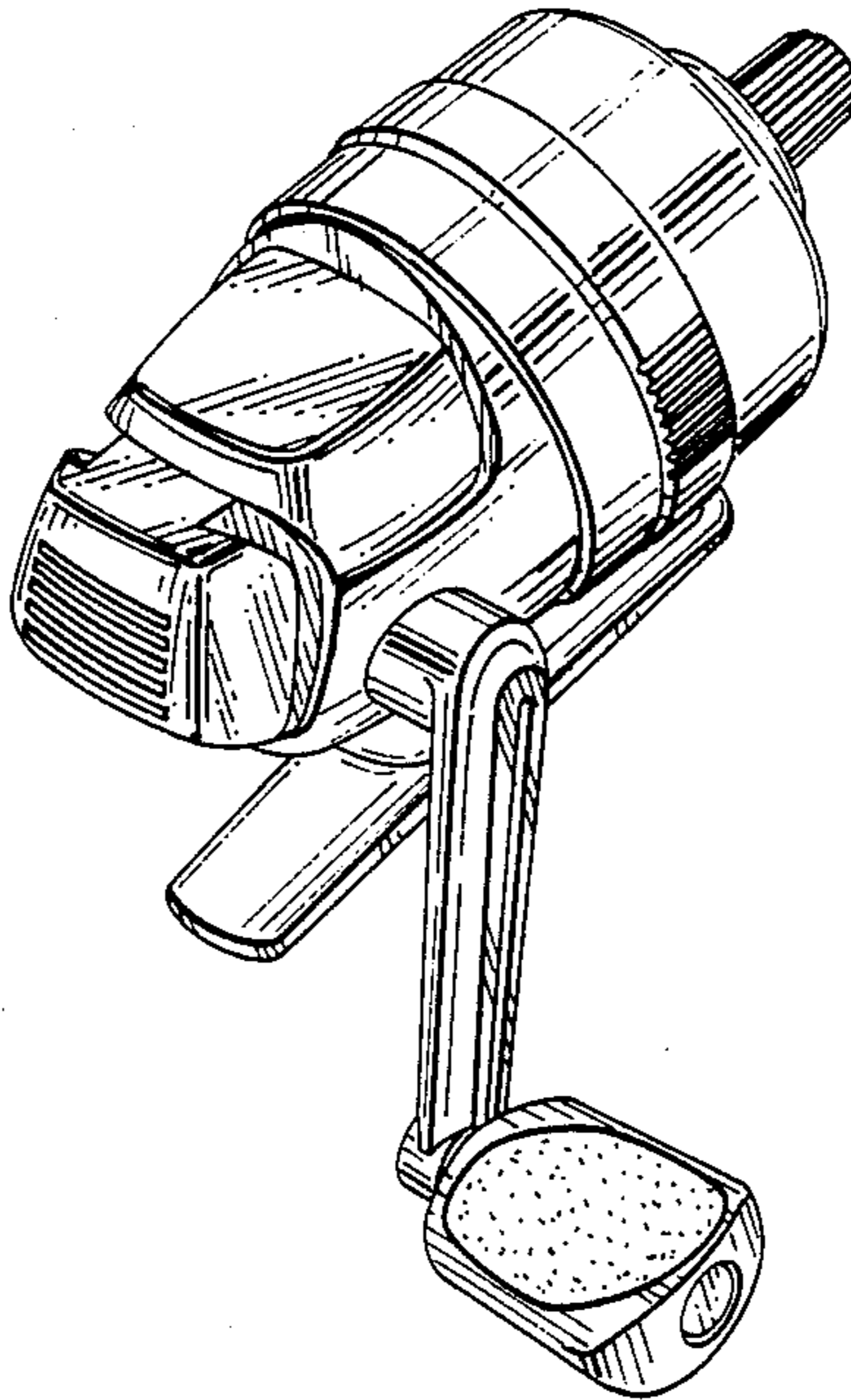


FIG. 1

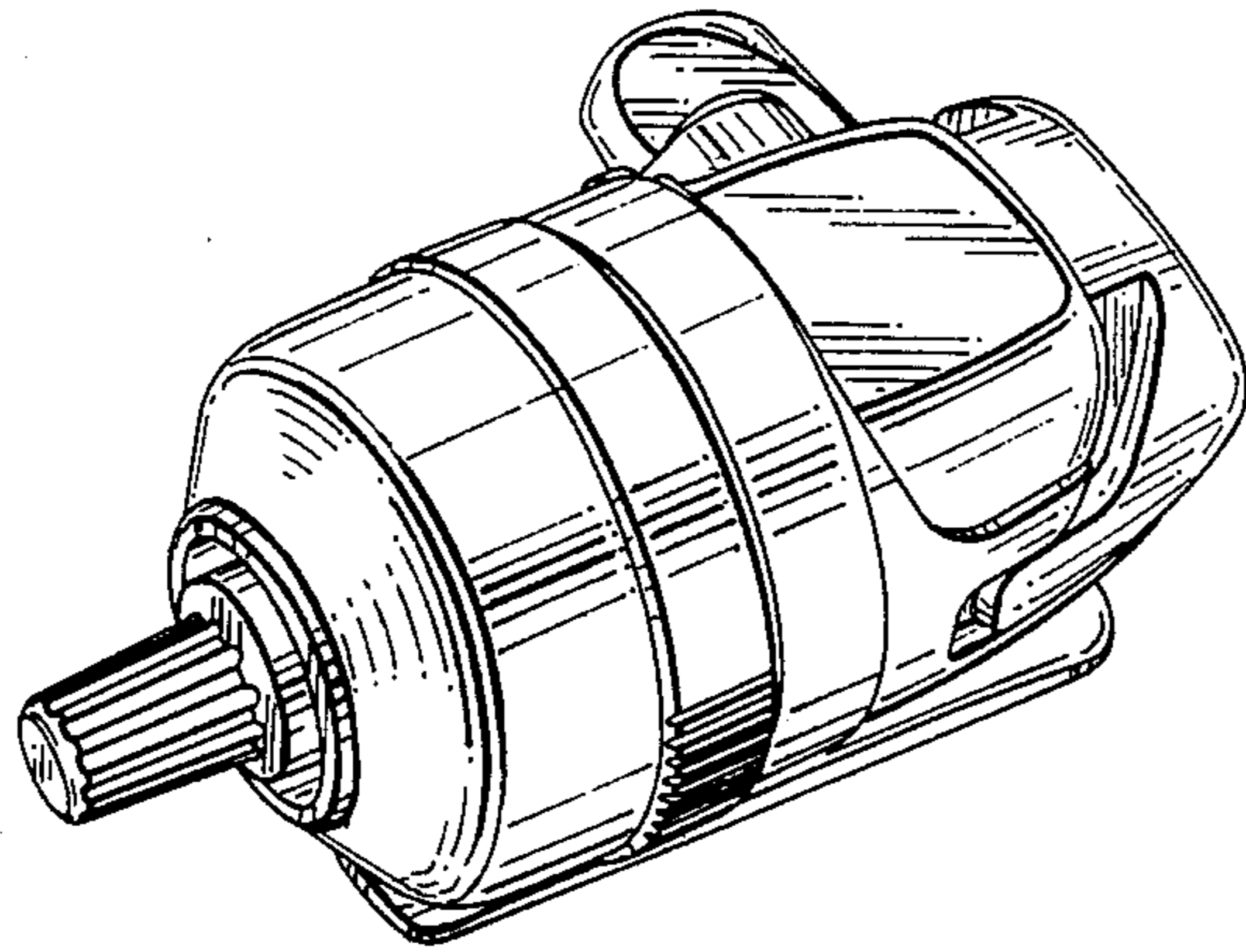


FIG. 2

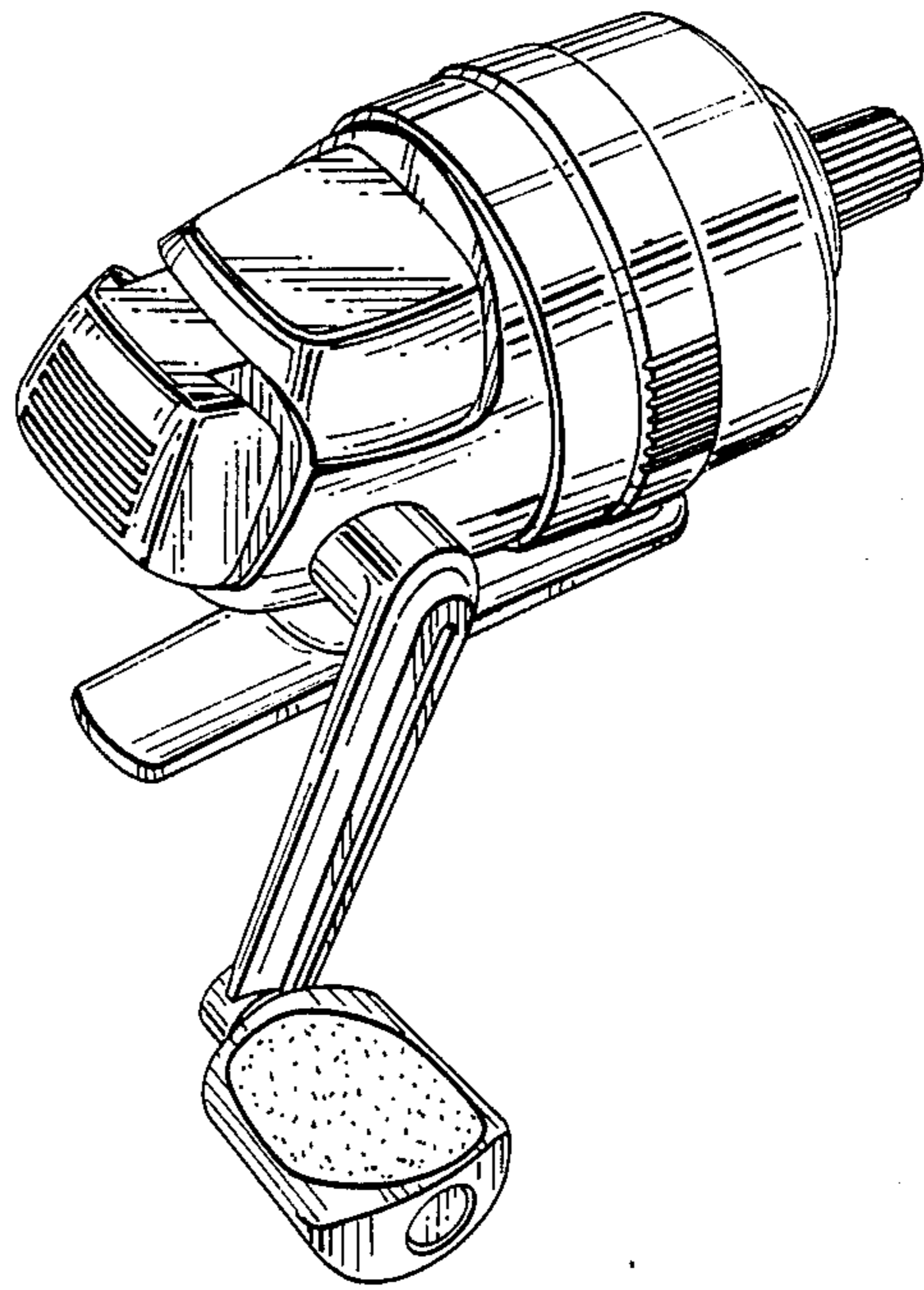


FIG. 3

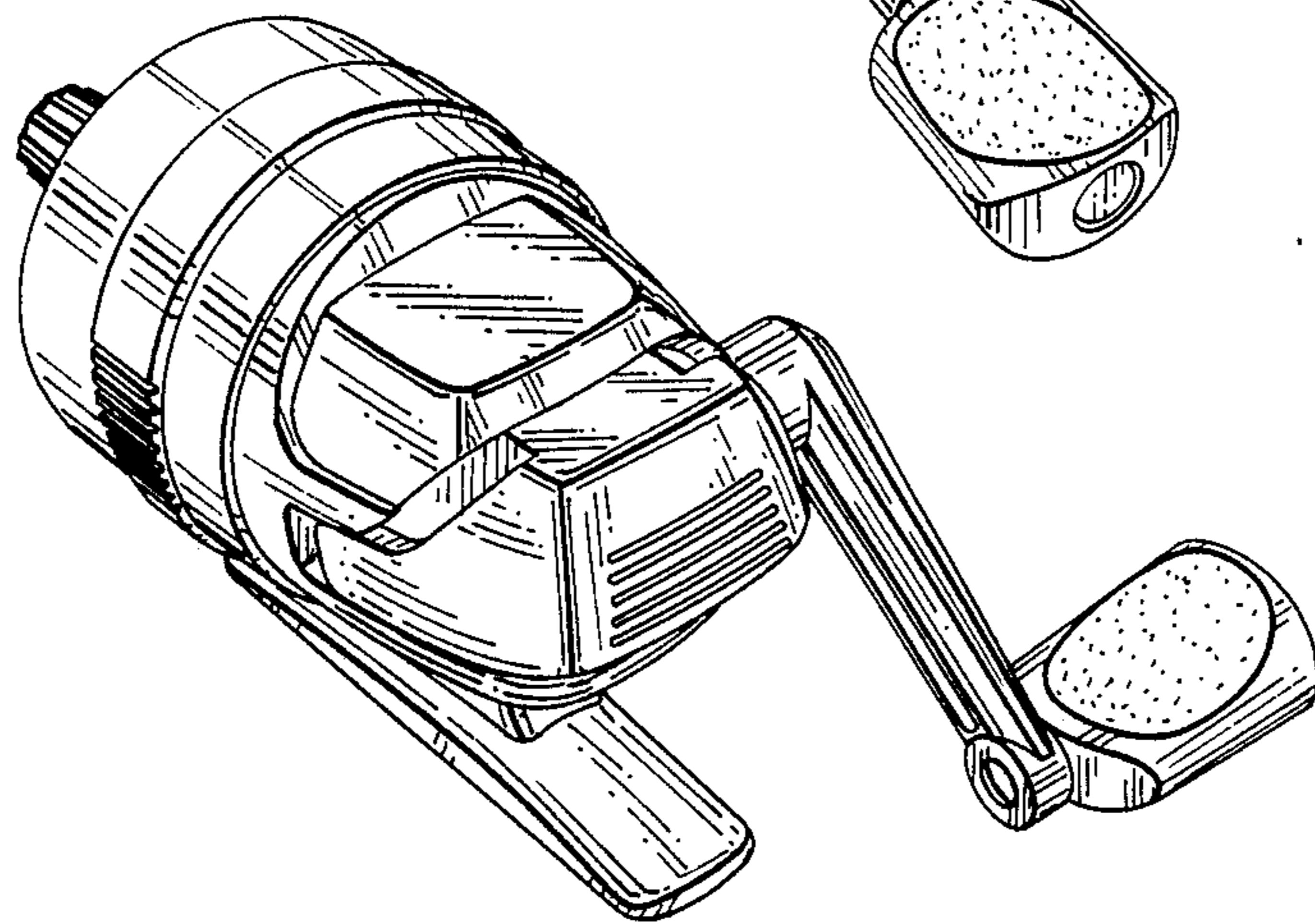


FIG. 4

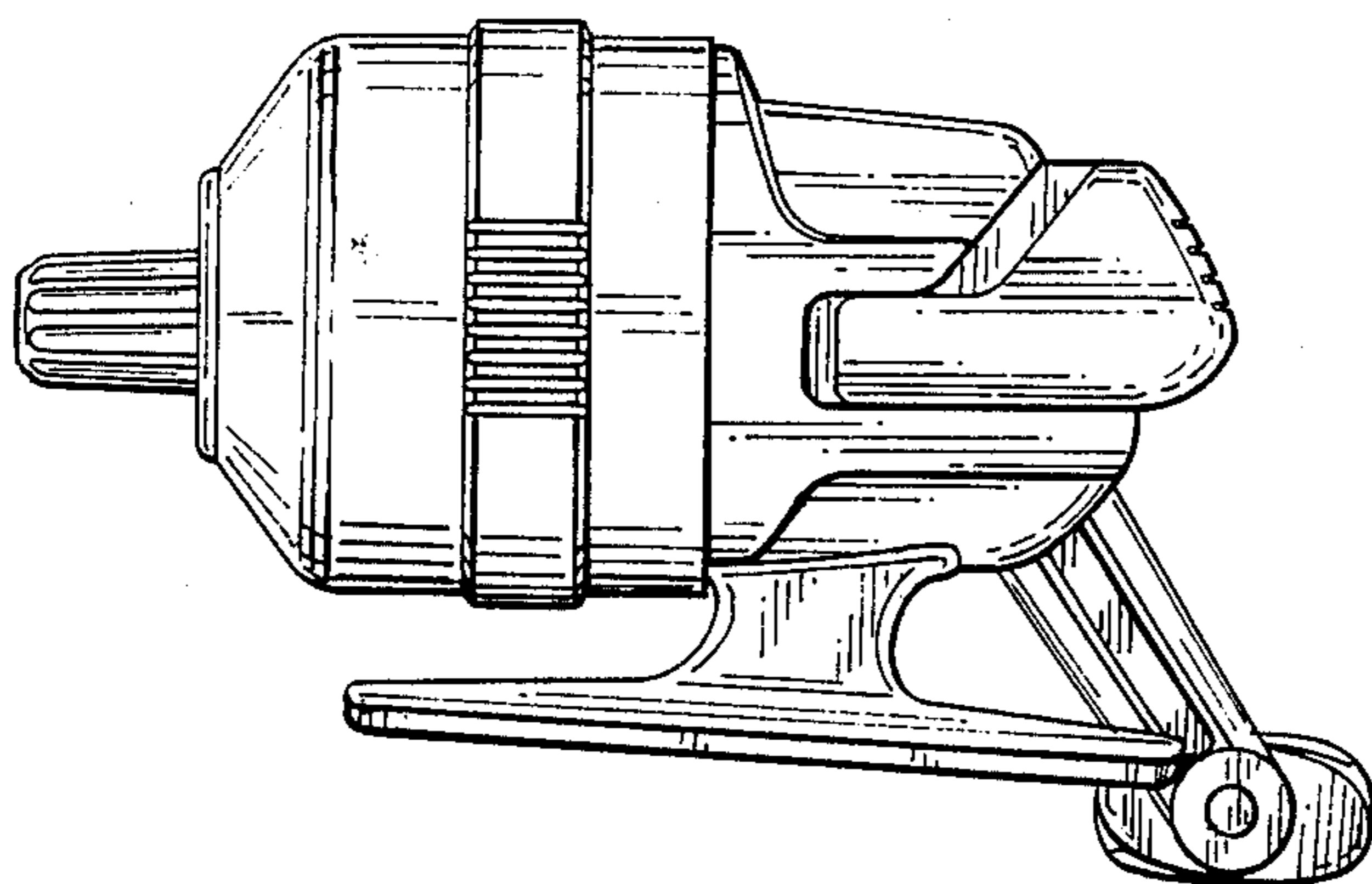


FIG. 5

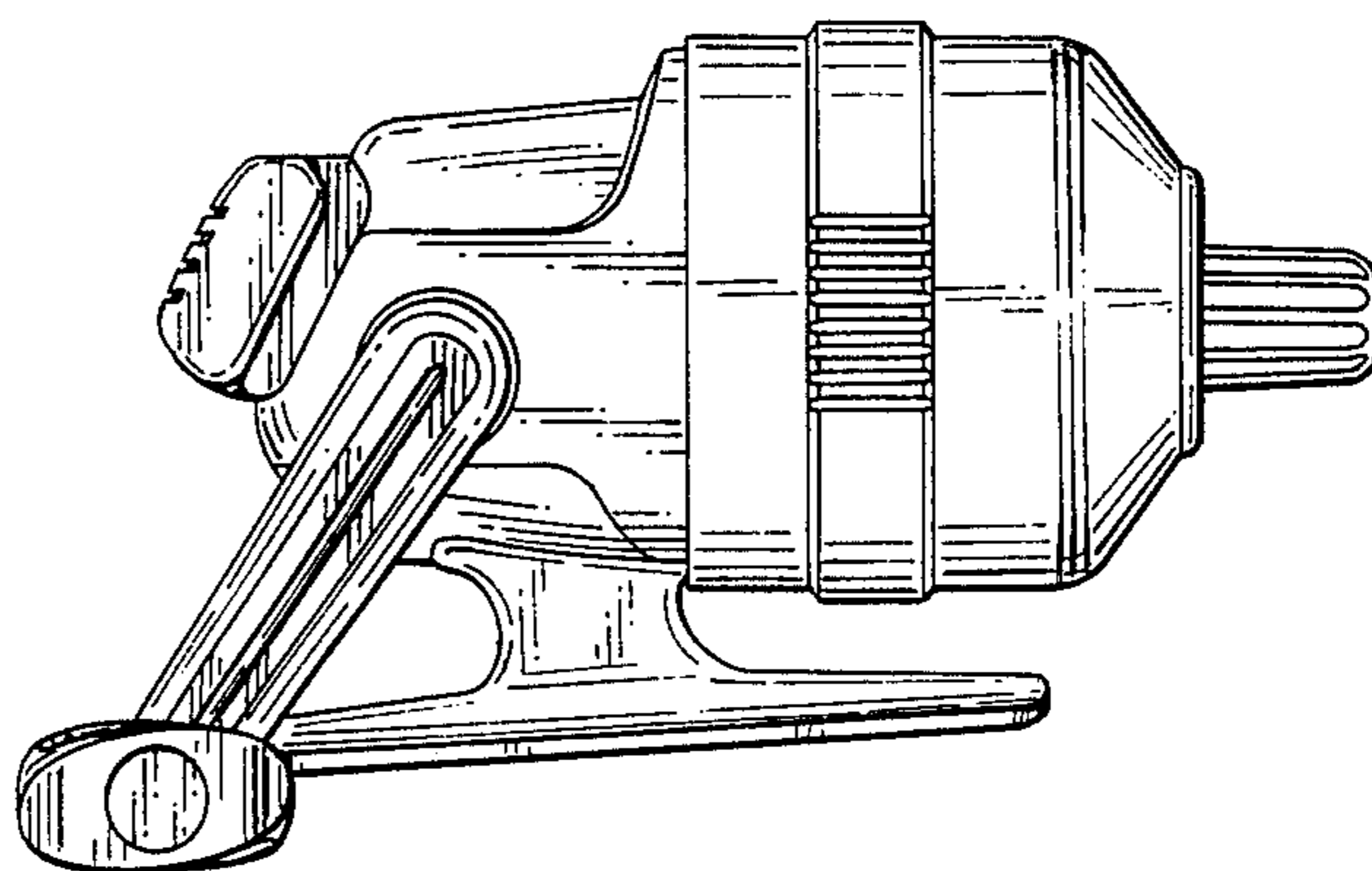


FIG. 6

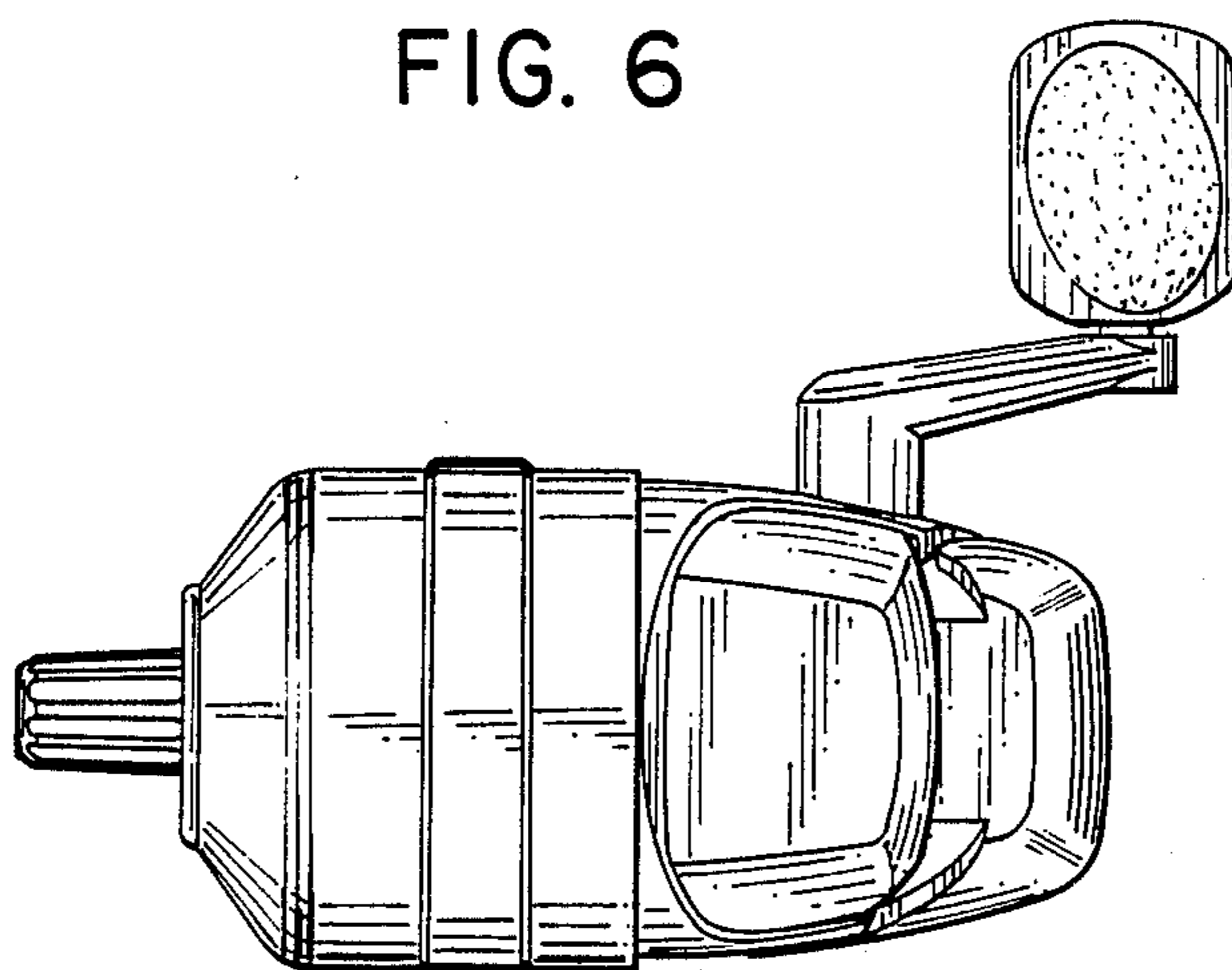


FIG. 7

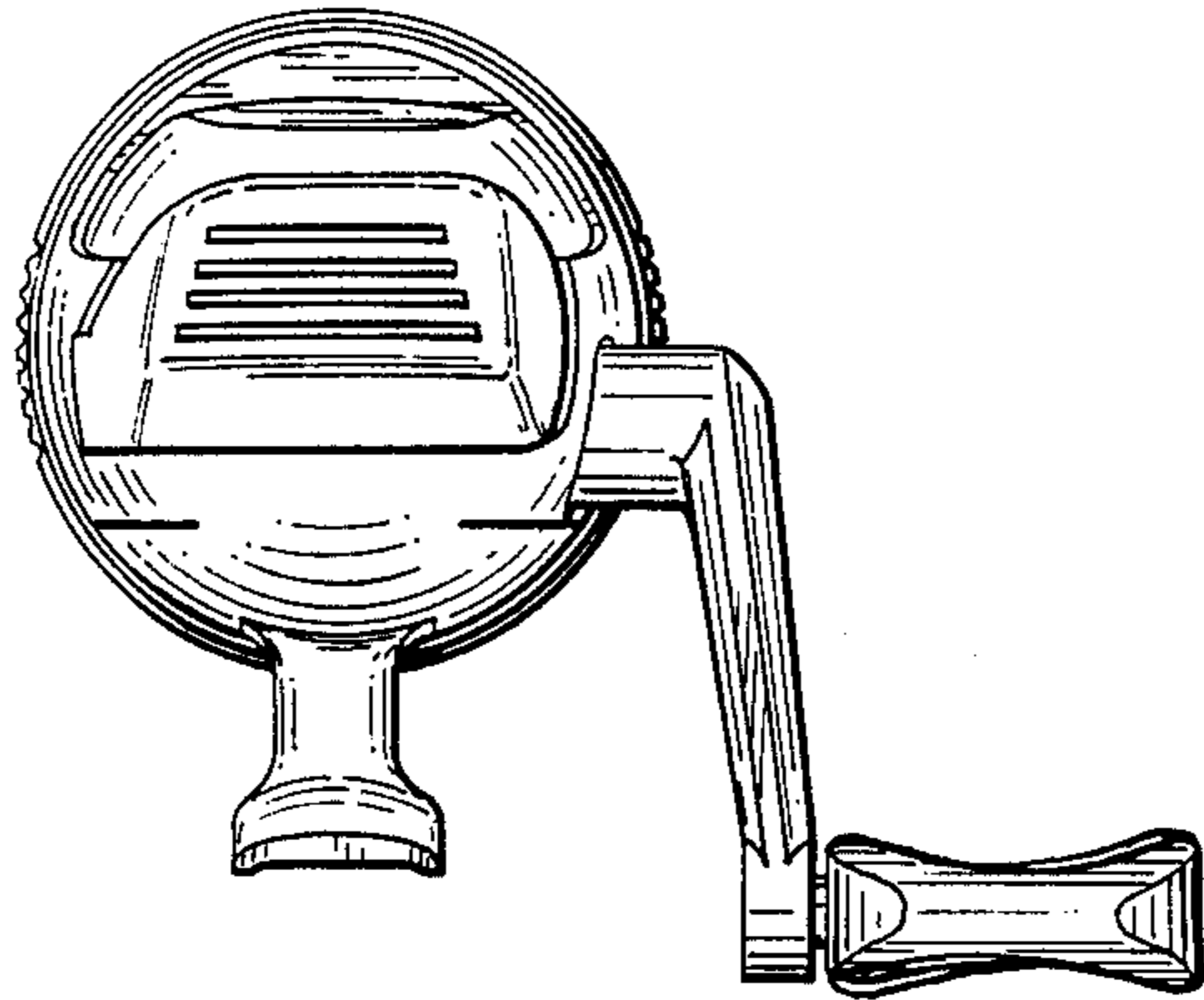


FIG. 8

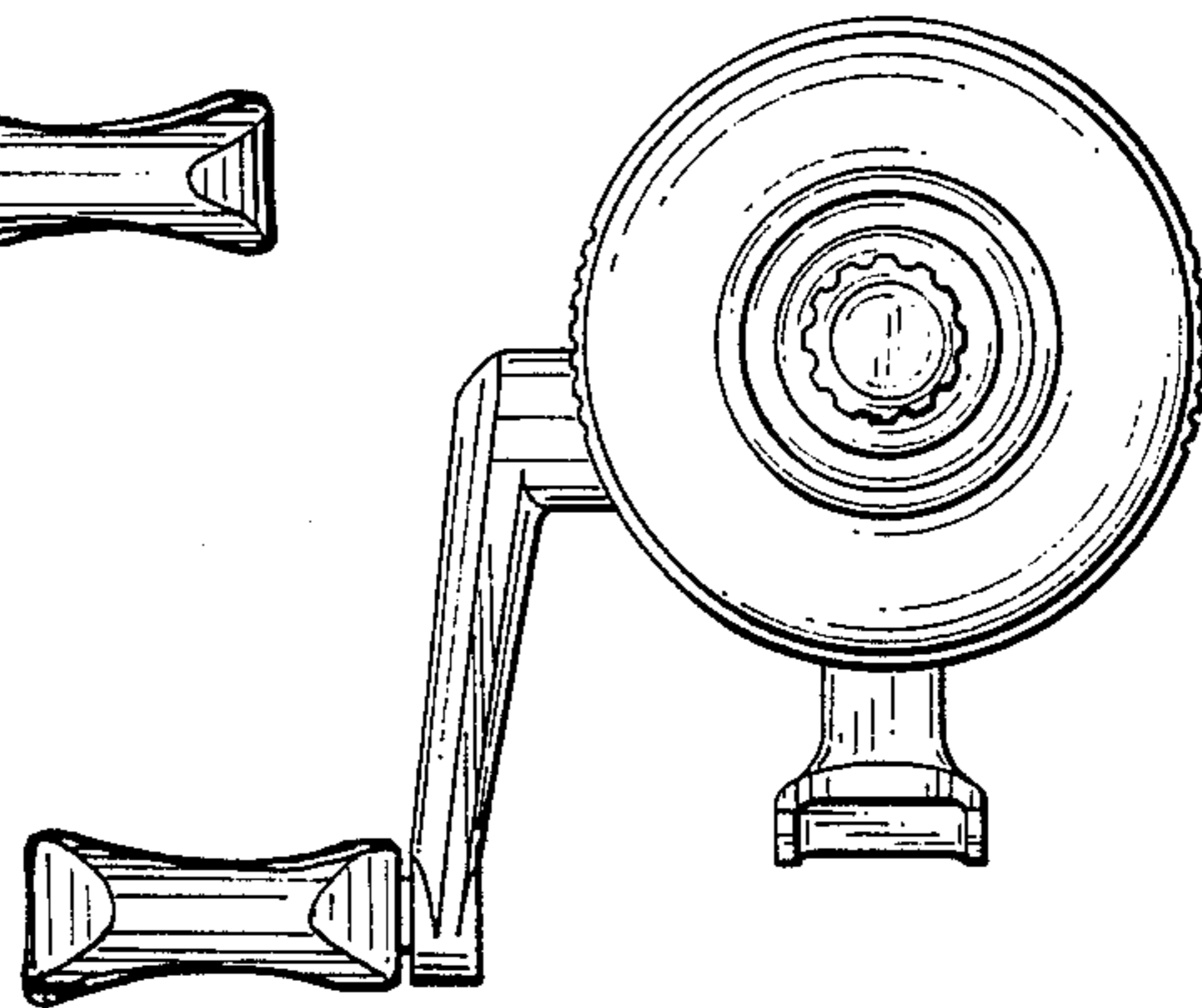


FIG. 9

