

[54] REEL FOR FISHING

[75] Inventors: Yasuhisa Kameda; Toshiaki Yoshikawa, both of Musashino, Japan

[73] Assignee: Daiwa Seiko, Inc., Tokyo, Japan

[\*\*] Term: 14 Years

[21] Appl. No.: 64,455

[22] Filed: Jun. 22, 1987

[30] Foreign Application Priority Data

Dec. 26, 1986 [JP] Japan ..... 61-52046

[52] U.S. Cl. .... D22/140

[58] Field of Search ..... D22/140; 242/84.1 R, 242/84.2 R, 84.2 J

[56] References Cited

U.S. PATENT DOCUMENTS

D. 269,694 4/1983 Myojo .

D. 280,846 10/1985 Sakamoto et al. .... D22/140

D. 281,188 10/1985 Shohoji et al. .... D22/140

FOREIGN PATENT DOCUMENTS

58-2136 9/1982 Japan .

58-2136-1 6/1984 Japan .

Primary Examiner—A. Hugo Word  
Attorney, Agent, or Firm—Bacon & Thomas

[57] CLAIM

The ornamental design for a reel for fishing, as shown.

DESCRIPTION

FIG. 1 is a front and left side perspective view of a reel for fishing showing our new design; FIG. 2 is a rear and left side perspective view thereof; FIG. 3 is a front and right side perspective view thereof; FIG. 4 is a front elevational view thereof; FIG. 5 is a right side elevational view thereof; FIG. 6 is a rear elevational view thereof; FIG. 7 is a left side elevational view thereof; FIG. 8 is a top plan view thereof; and FIG. 9 is a bottom plan view thereof.

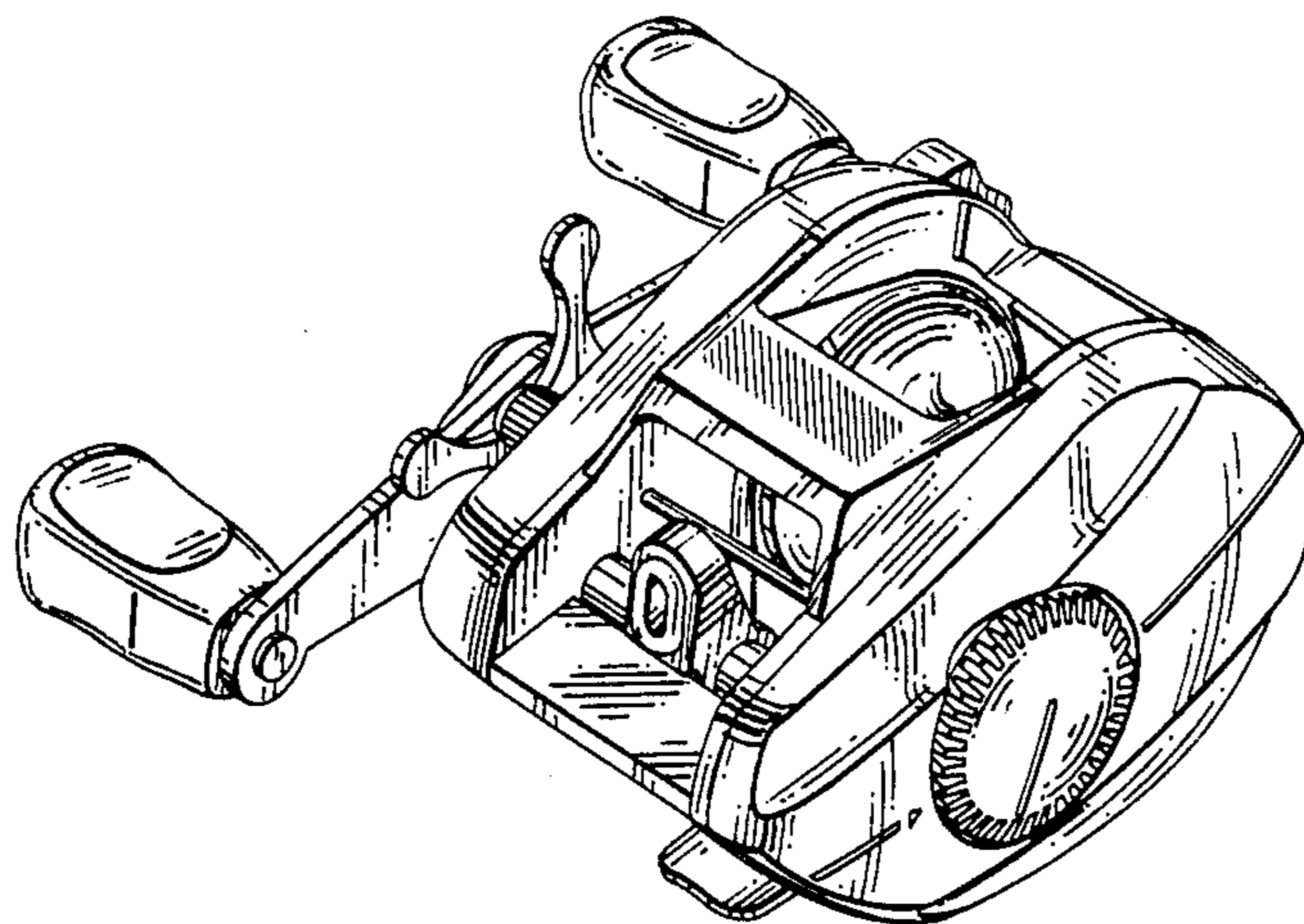


FIG. 1

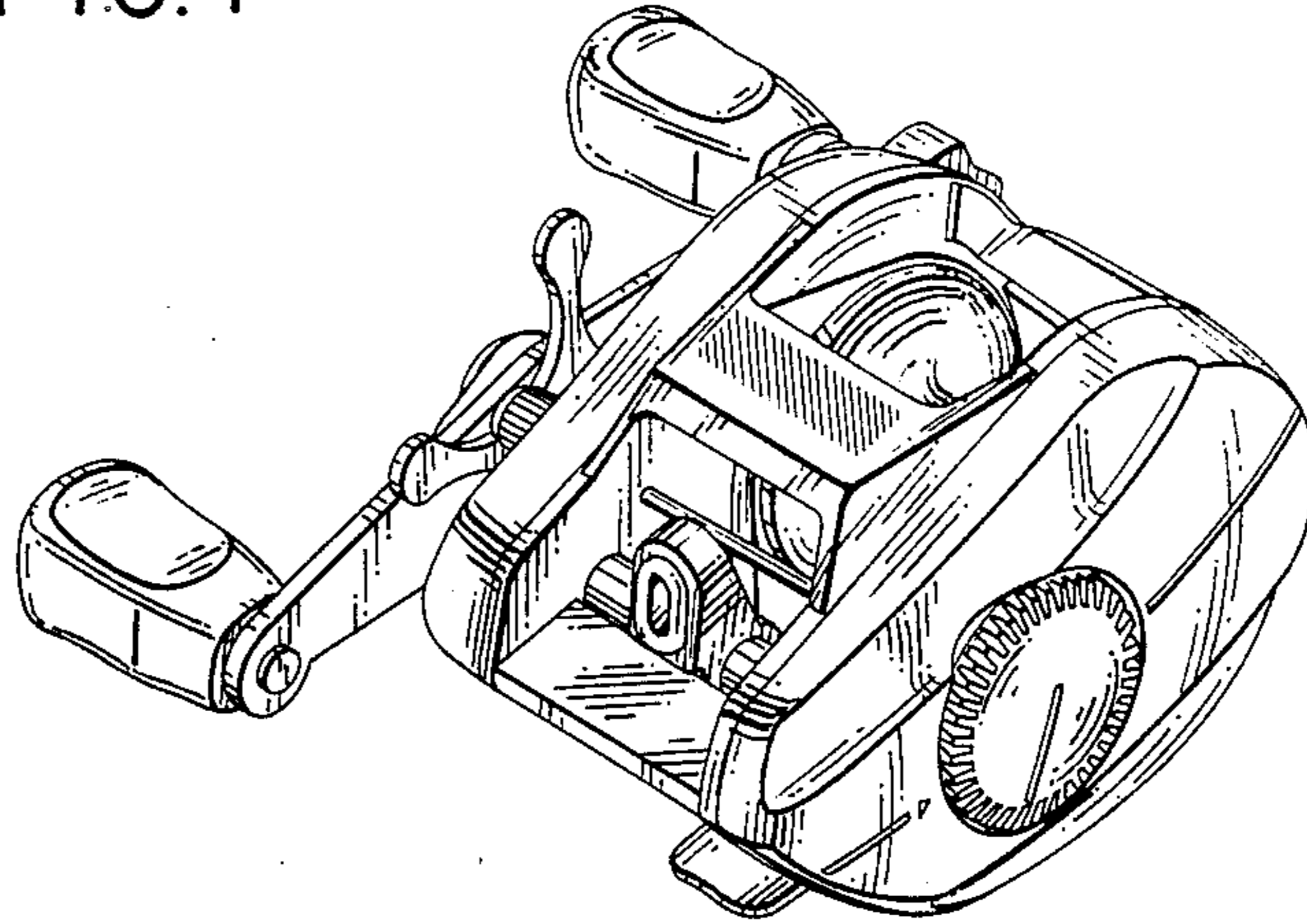


FIG. 2

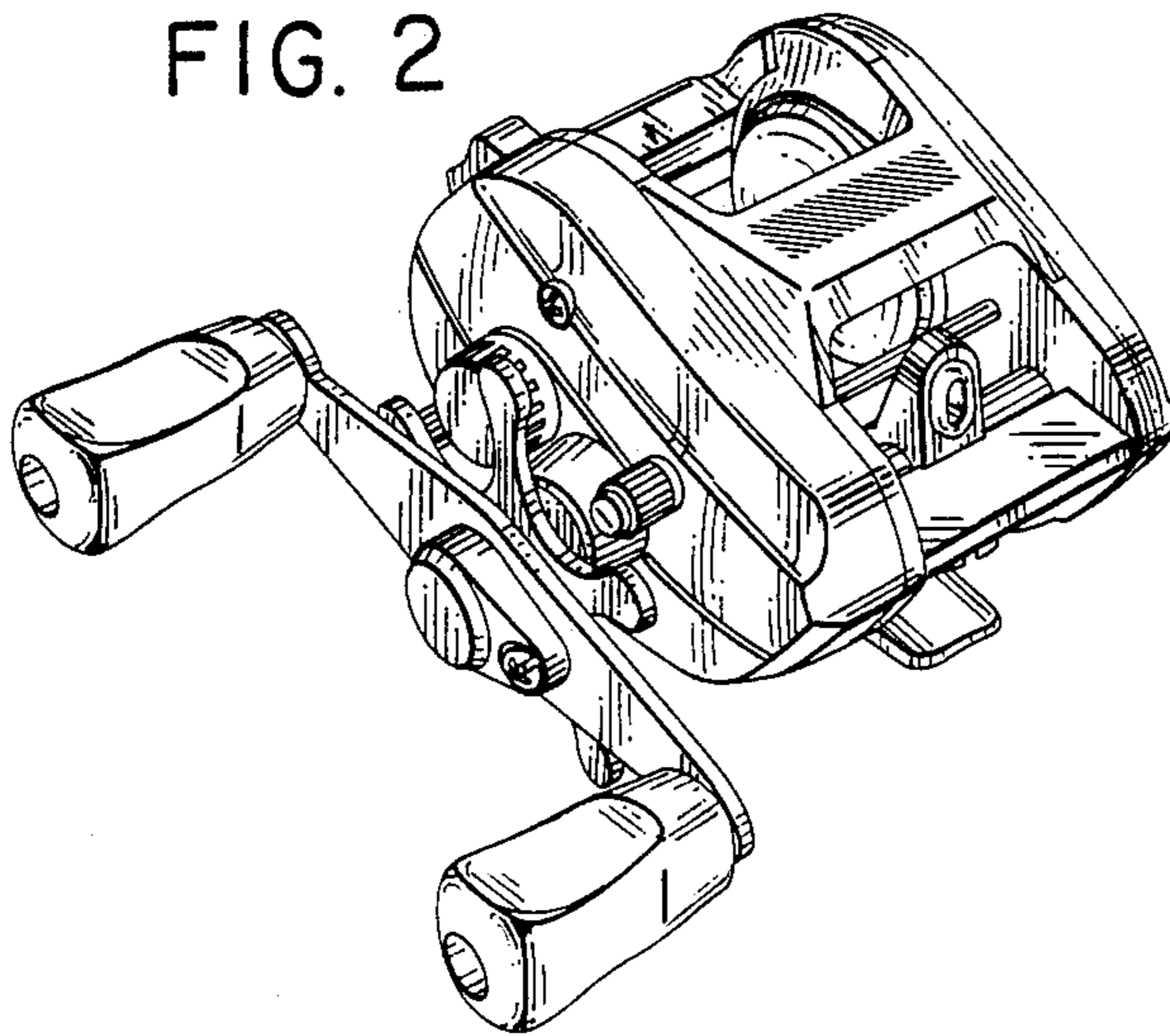


FIG. 3

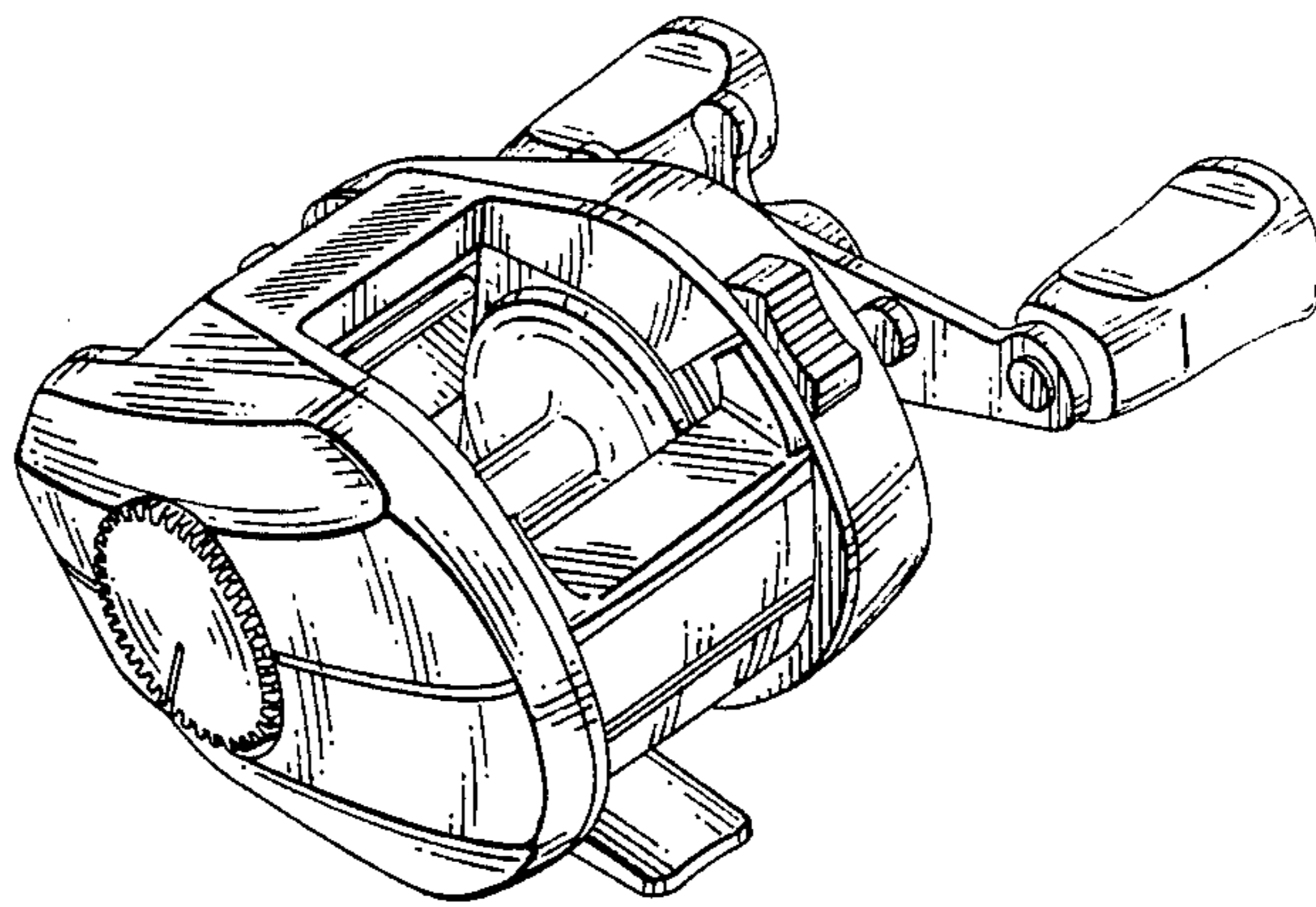


FIG. 4

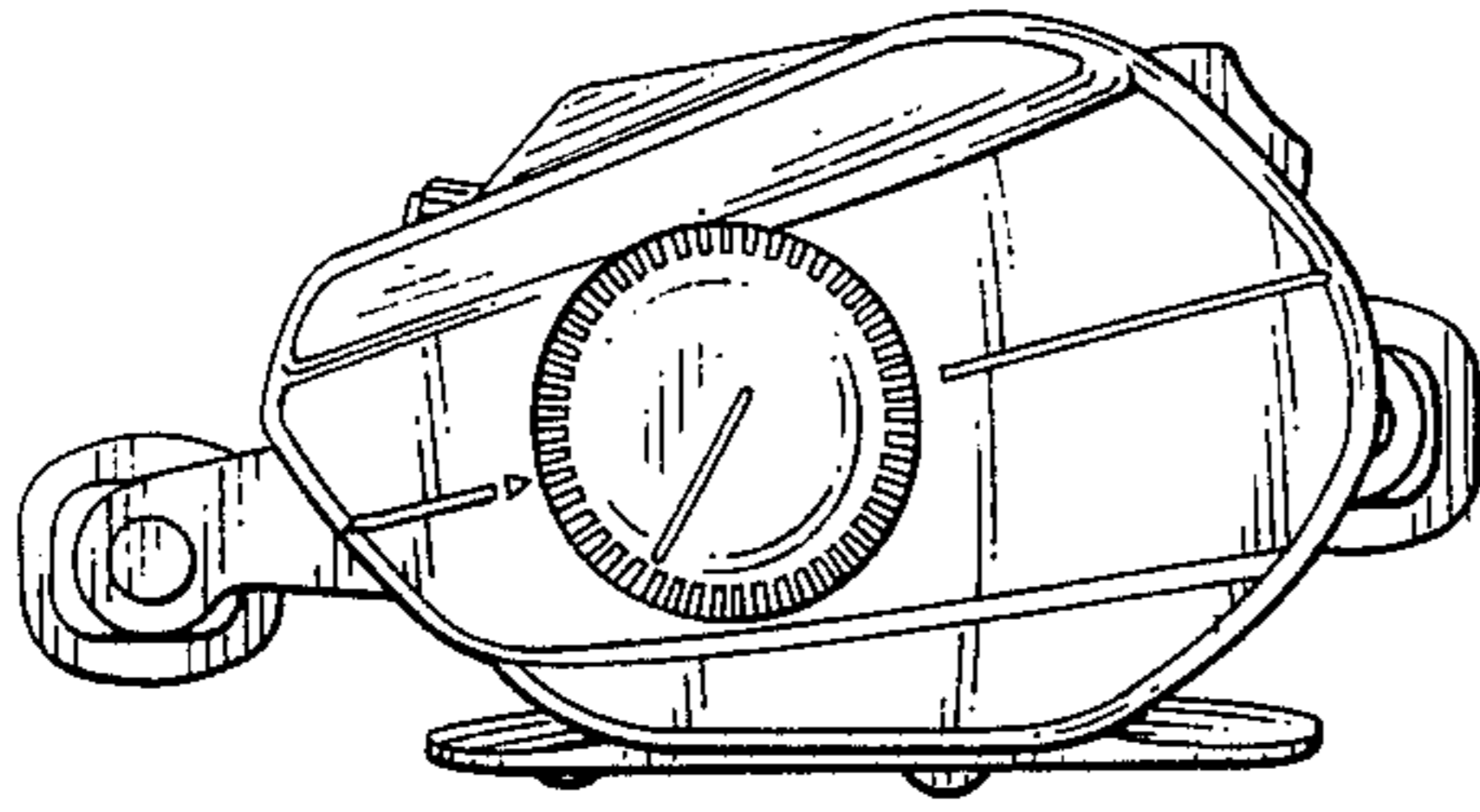


FIG. 5

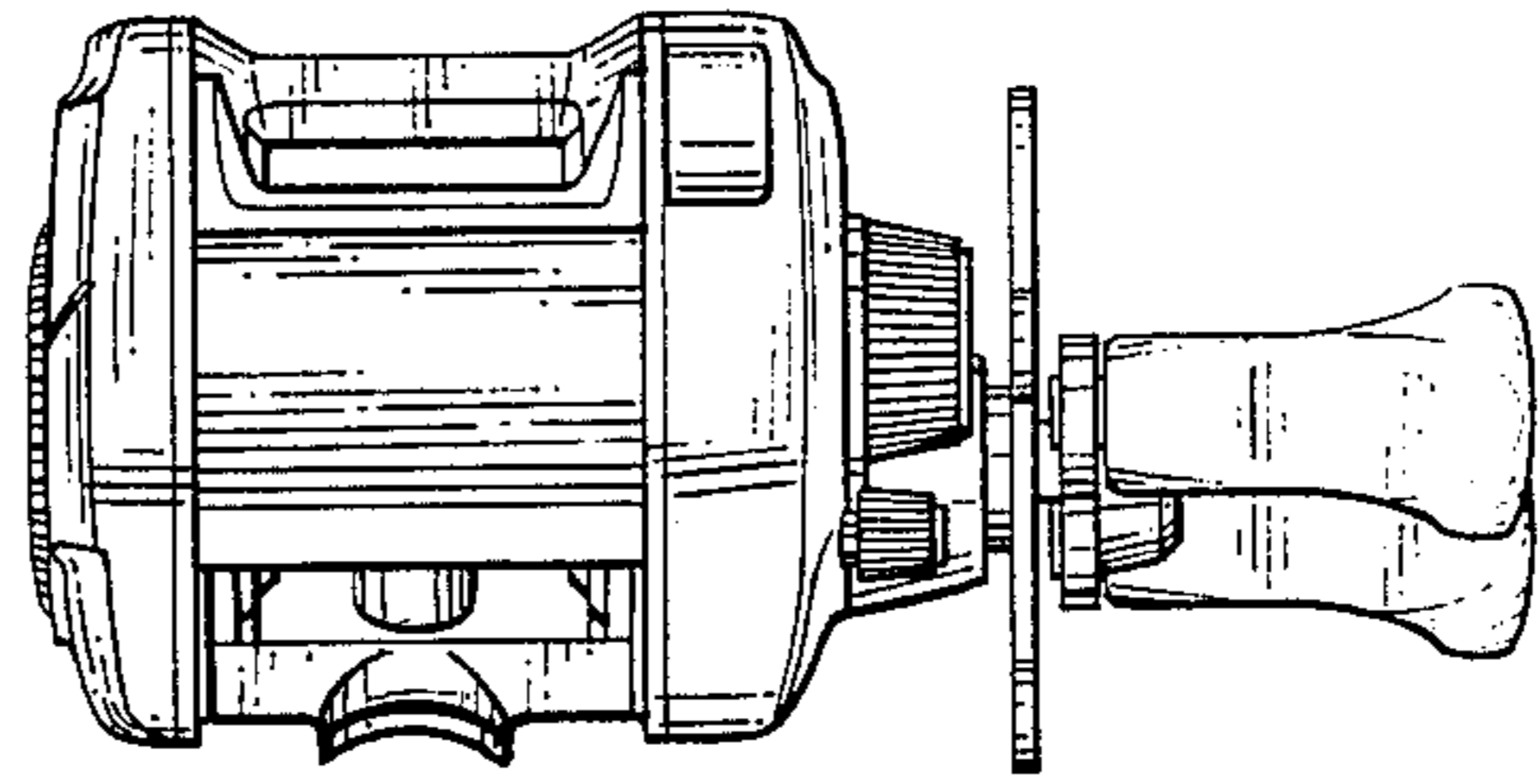


FIG. 6

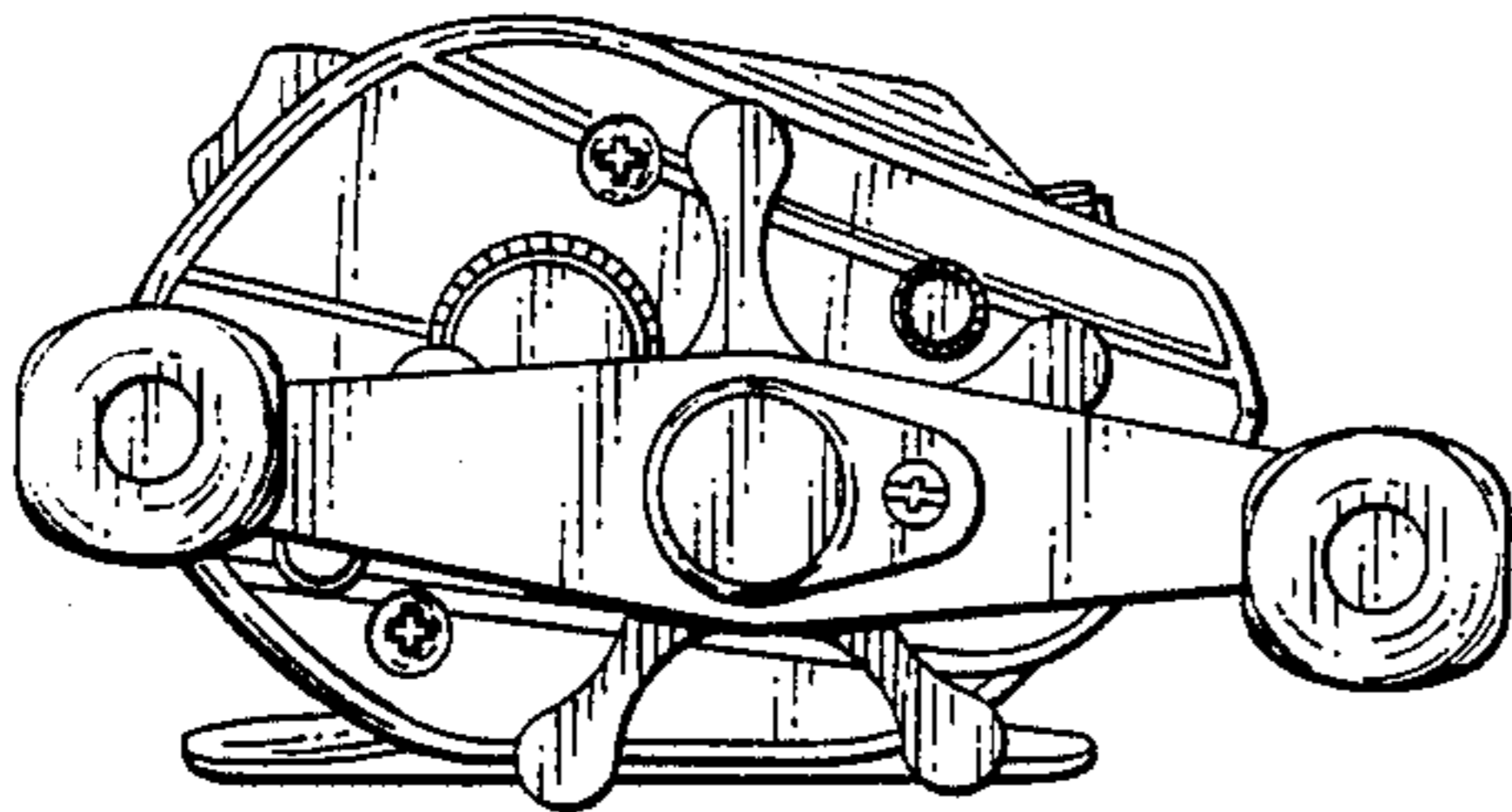


FIG. 7

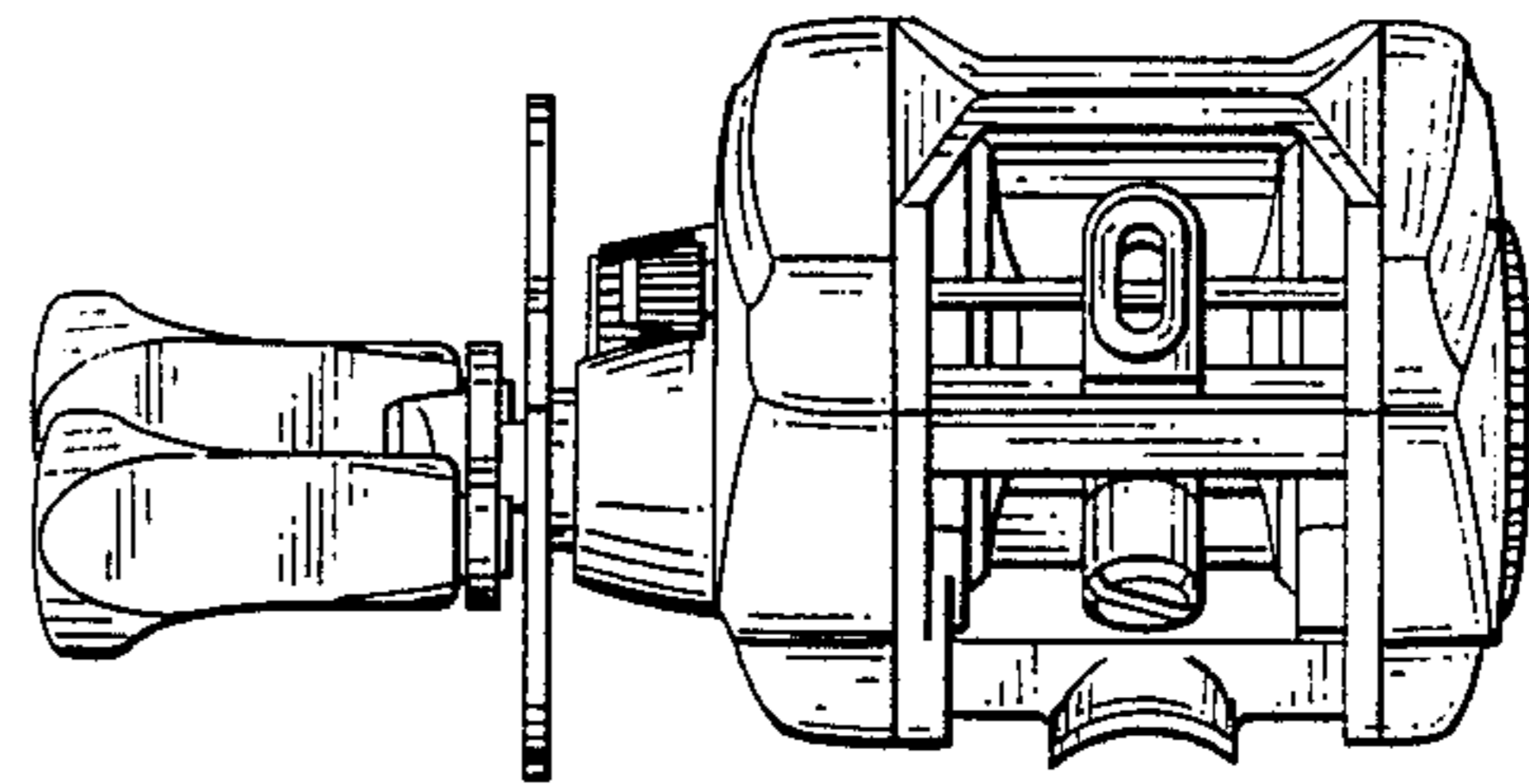


FIG. 8

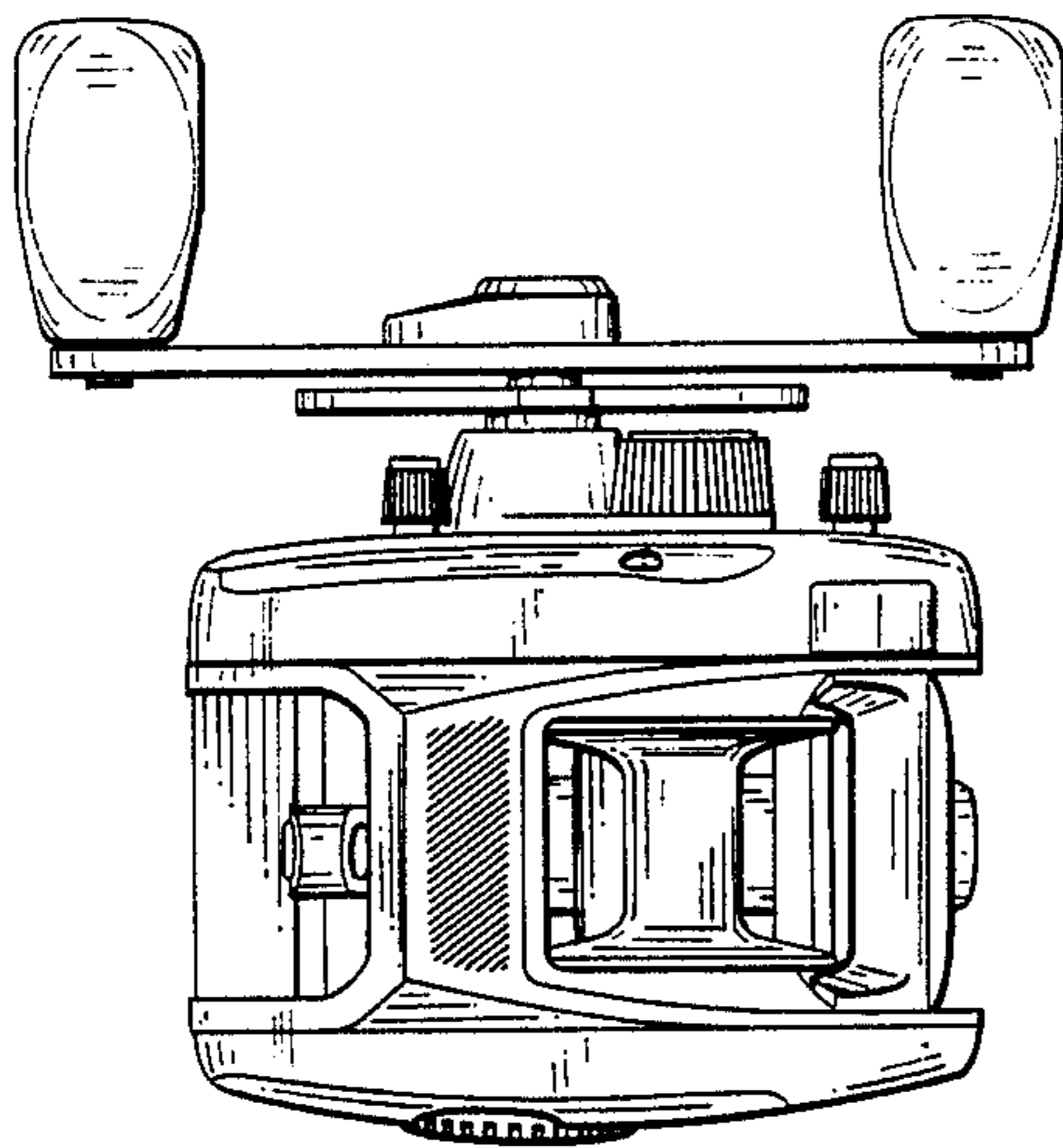


FIG. 9

