

# United States Patent [19]

Iinuma et al.

[11] Patent Number: Des. 299,509

[45] Date of Patent: \*\* Jan. 24, 1989

[54] REEL FOR FISHING

[75] Inventors: Kanji Iinuma; Yasuhisa Kameda, both of Musashino, Japan

[73] Assignee: Daiwa Seiko, Inc., Tokyo, Japan

[\*\*] Term: 14 Years

[21] Appl. No.: 922,138

[22] Filed: Oct. 22, 1986

[30] Foreign Application Priority Data

Apr. 24, 1986 [JP] Japan ..... 61-15451  
[52] U.S. Cl. .... D22/140  
[58] Field of Search ..... D22/140; 242/84.1 R,  
242/84.2 R, 84.2 J

[56] References Cited

U.S. PATENT DOCUMENTS

D. 247,247 2/1978 Okada ..... D22/140  
D. 256,494 8/1980 Okada ..... D22/140  
D. 257,168 9/1980 Okada ..... D22/140

Primary Examiner—A. Hugo Word  
Attorney, Agent, or Firm—Bacon & Thomas

[57] CLAIM

The ornamental design for a reel for fishing, as shown.

DESCRIPTION

FIG. 1 is a rear and right side perspective view of a reel for fishing showing our new design;  
FIG. 2 is a rear and left side perspective view thereof;  
FIG. 3 is a front elevational view thereof;  
FIG. 4 is a rear elevational view thereof;  
FIG. 5 is a left side elevational view thereof;  
FIG. 6 is a right side elevational view thereof;  
FIG. 7 is a top plan view thereof; and  
FIG. 8 is a bottom plan view thereof.

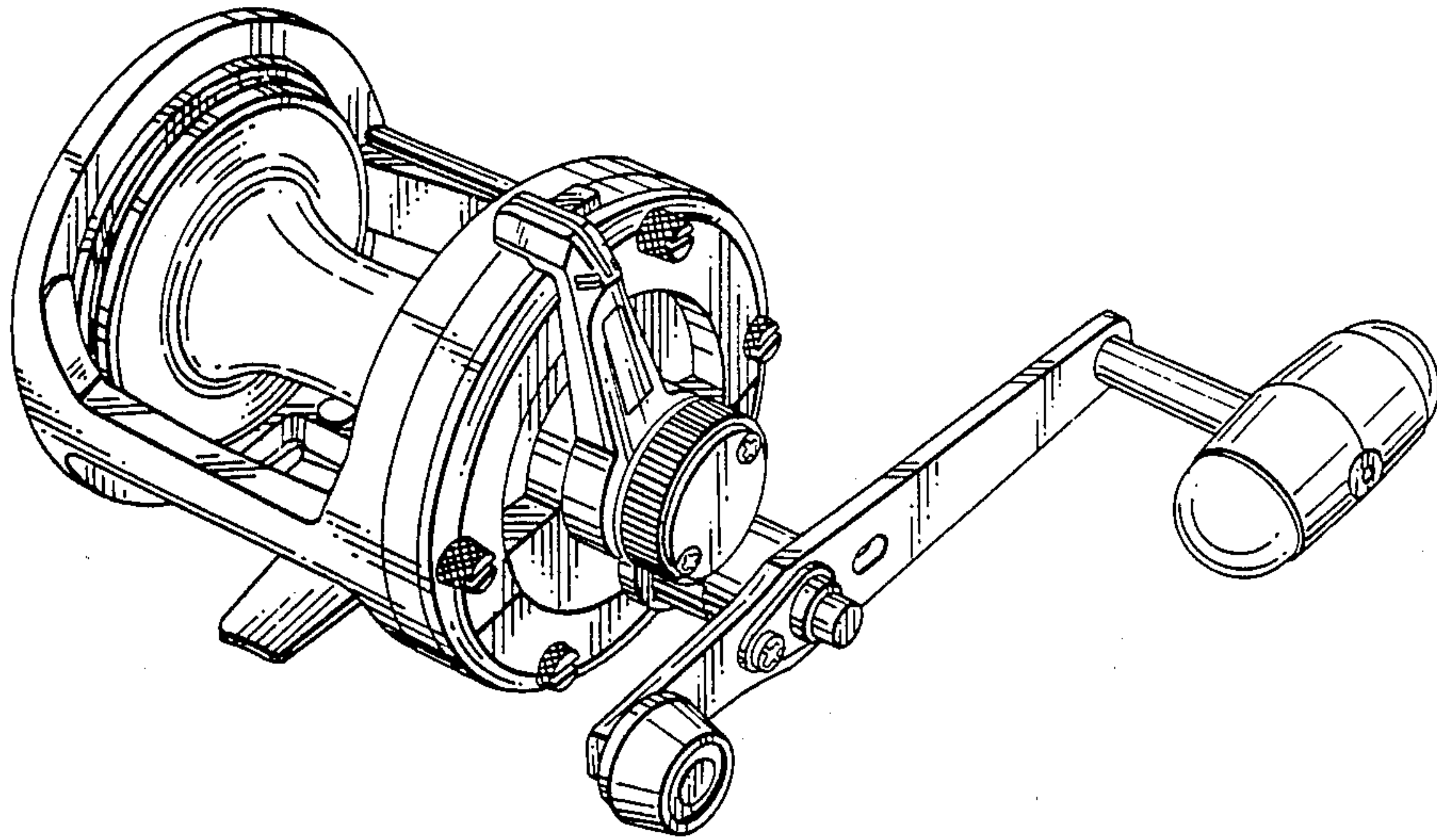


FIG. 1

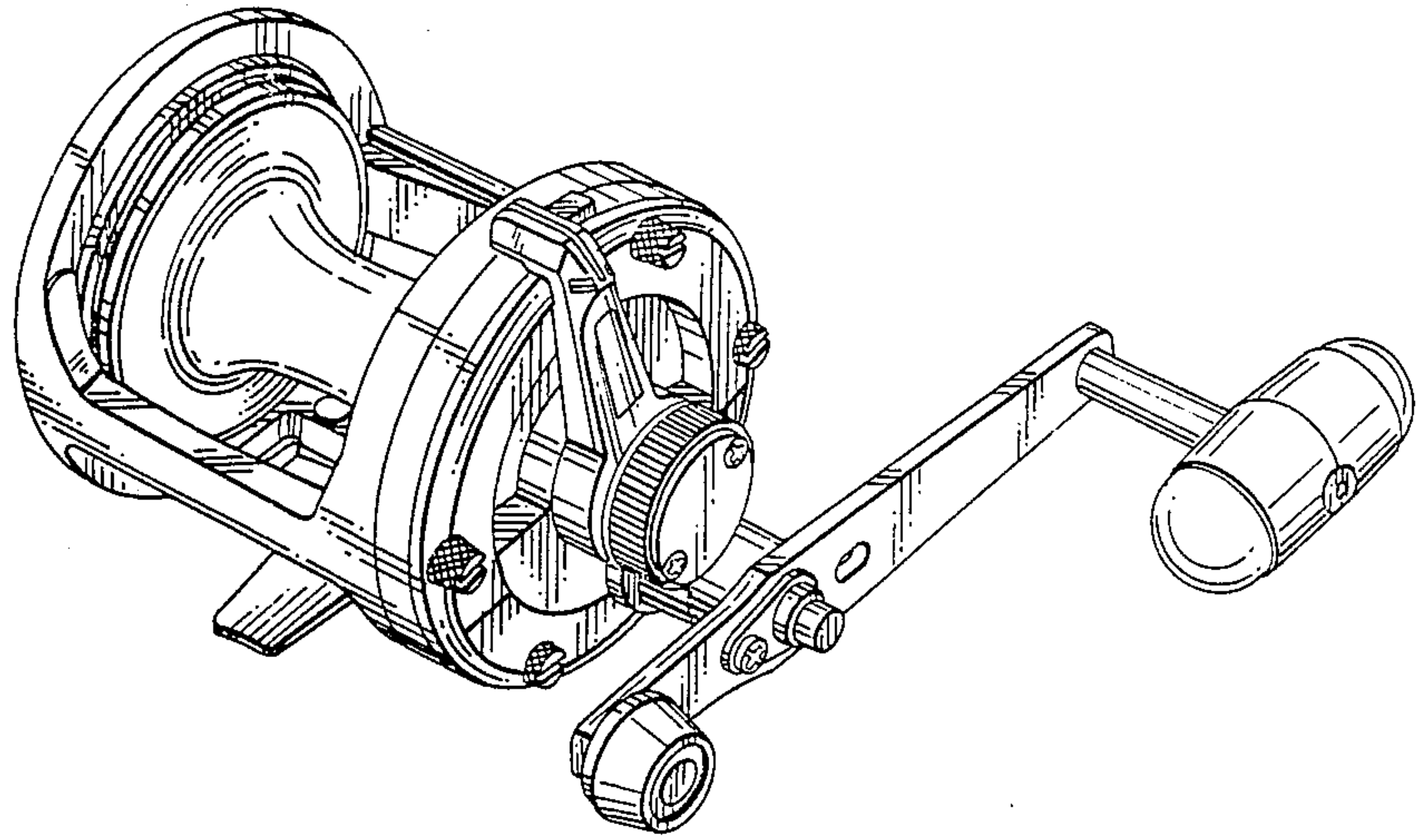


FIG. 2

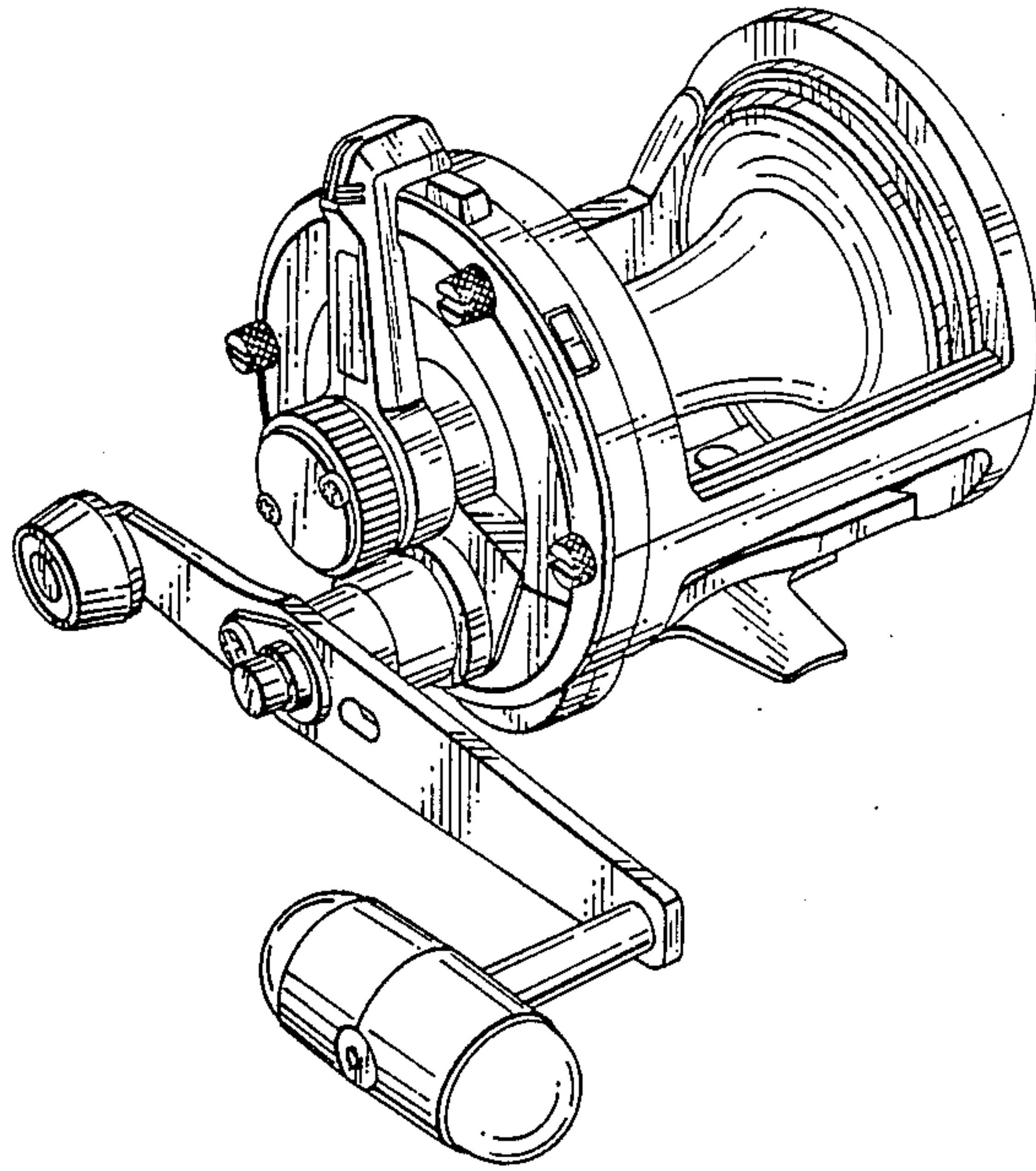


FIG. 3

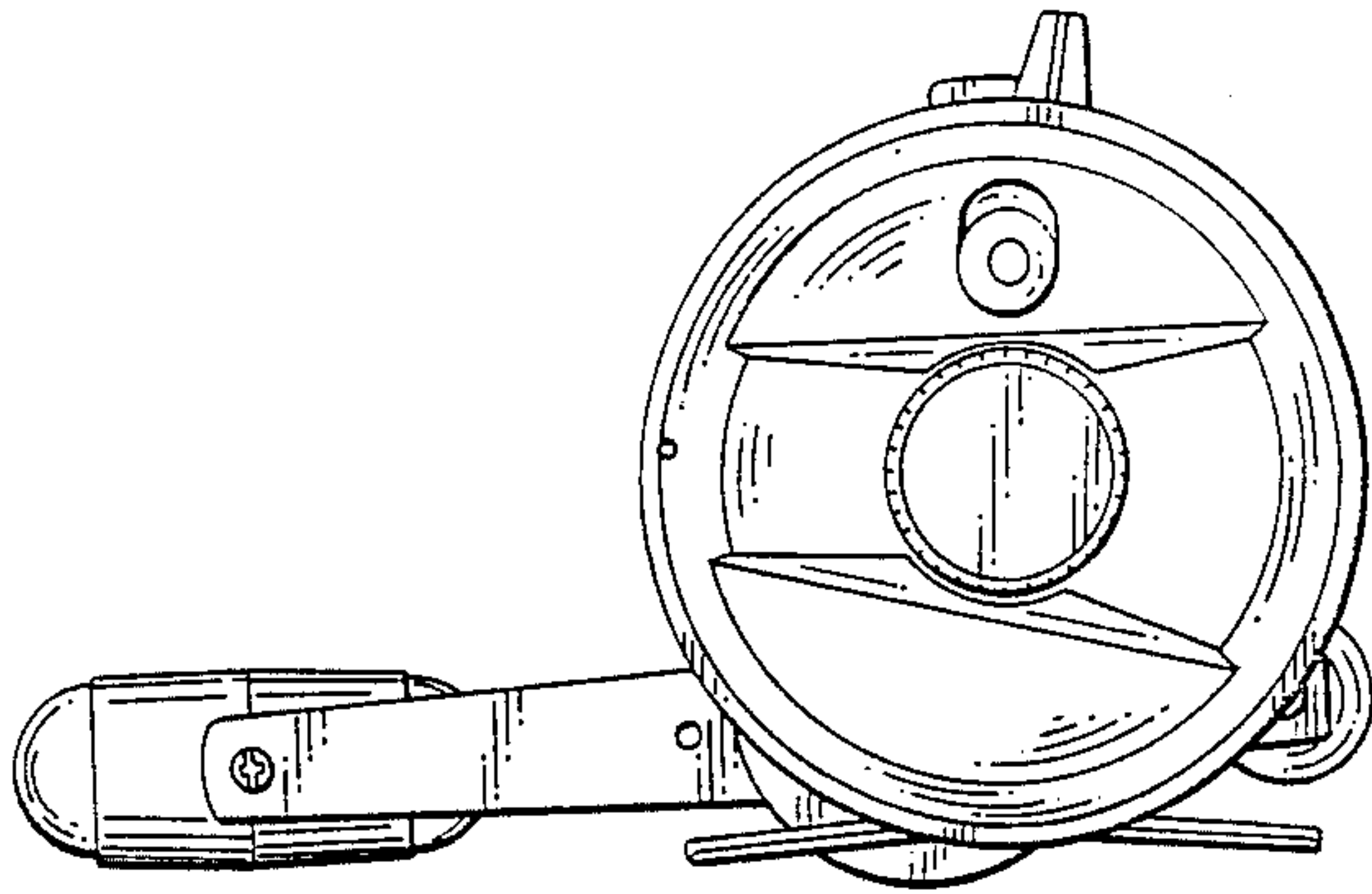


FIG. 4

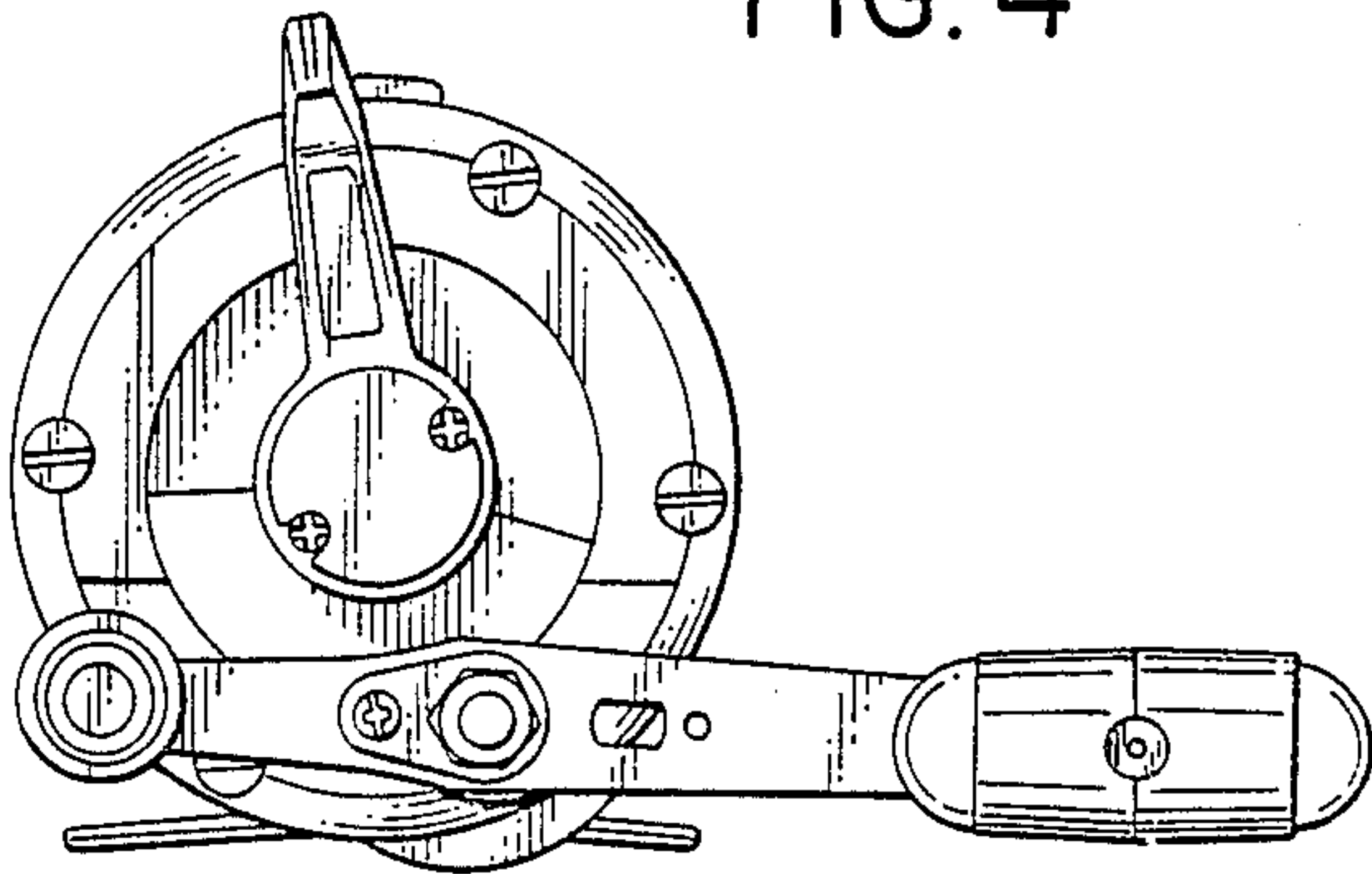


FIG. 5

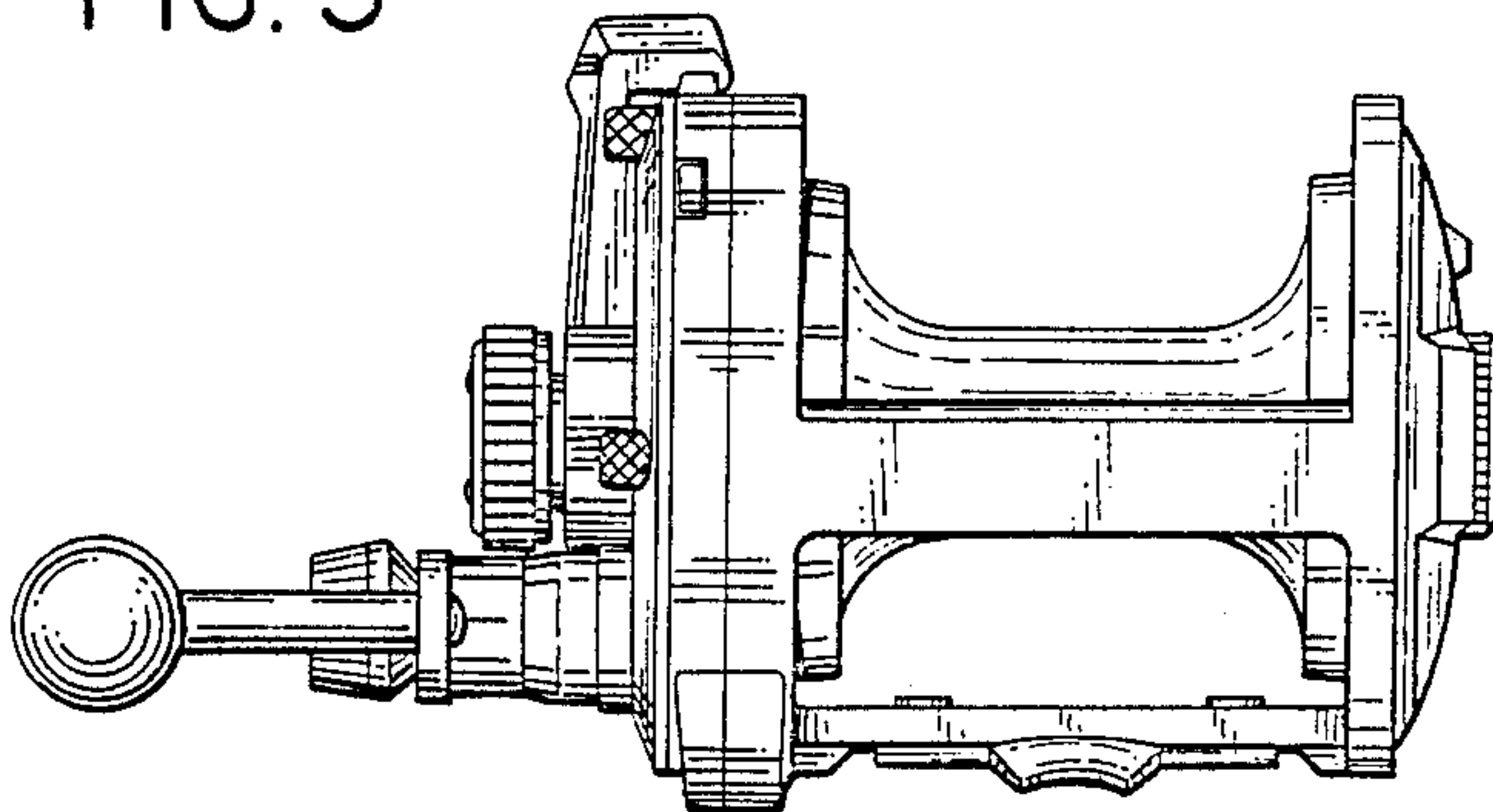


FIG. 6

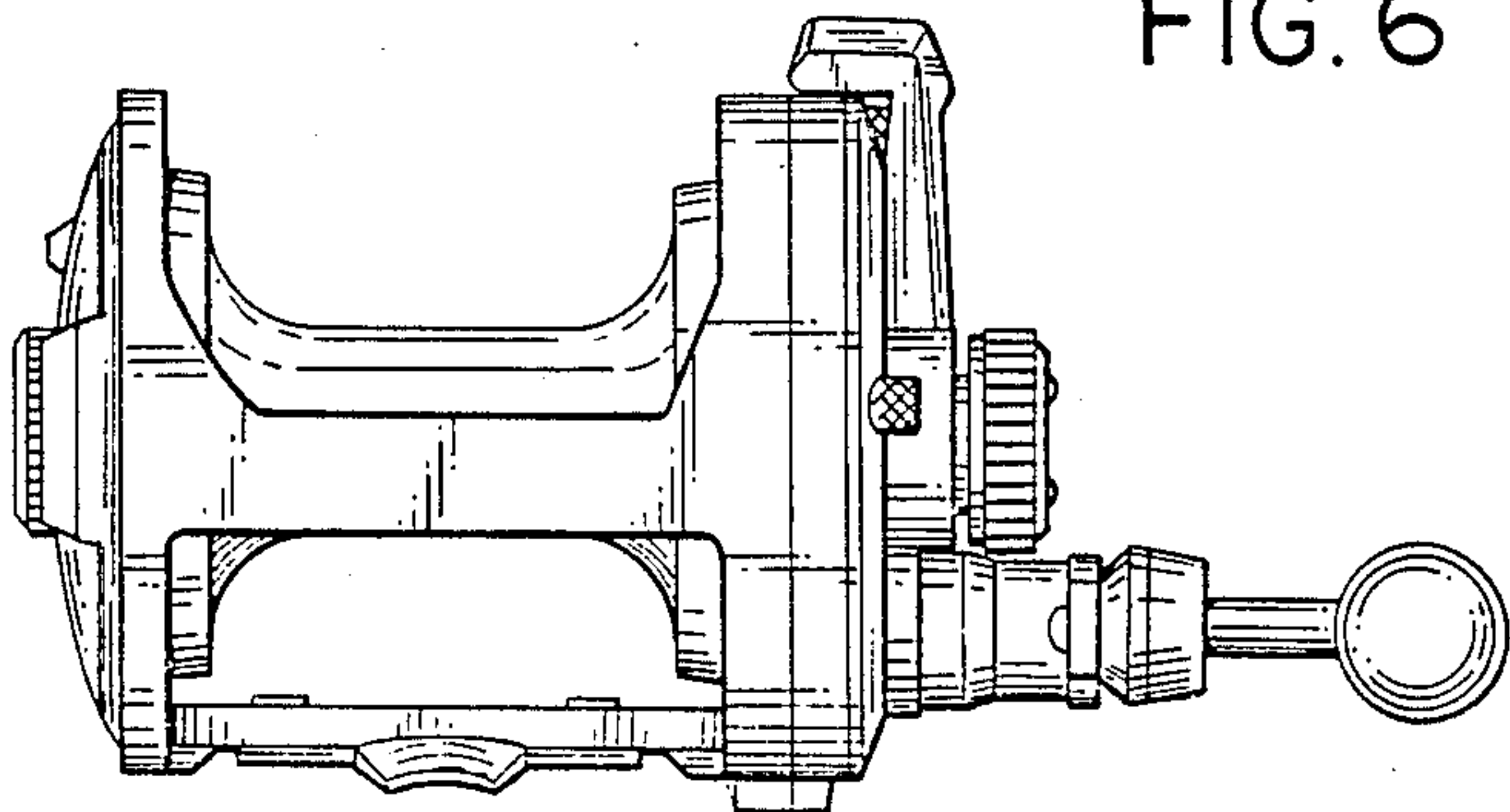


FIG. 7

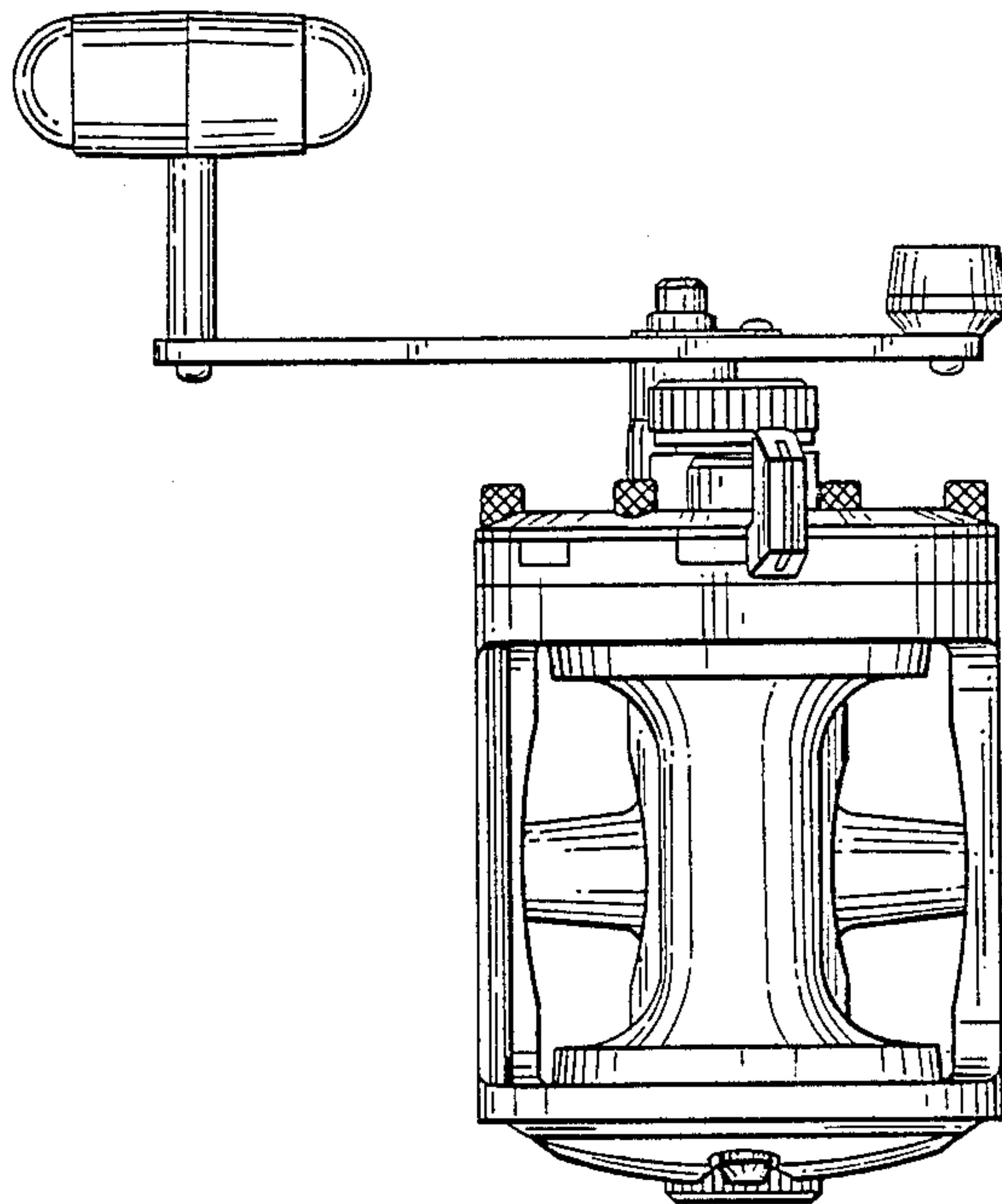


FIG. 8

