

[54] DEFENSE FLASHER HOUSING

D. 287,122 12/1986 Hollister D16/38 X
D. 288,468 2/1987 Rüttinger D22/117

[76] Inventor: Robert J. Jensen, 16734 Nordhoff,
Sepulveda, Calif. 91343

Primary Examiner—A. Hugo Word
Attorney, Agent, or Firm—Roger A. Marrs

[**] Term: 14 Years

[57] CLAIM

[21] Appl. No.: 847,557

The ornamental design for defense flasher housing, as shown.

[22] Filed: Mar. 31, 1986

[52] U.S. CL. D22/117; D3/62;
D3/63; D10/114; D16/239; D22/112

DESCRIPTION

[58] Field of Search D3/62, 63; D16/42, 38;
D26/37; D22/117, 112, 120; D10/111, 114

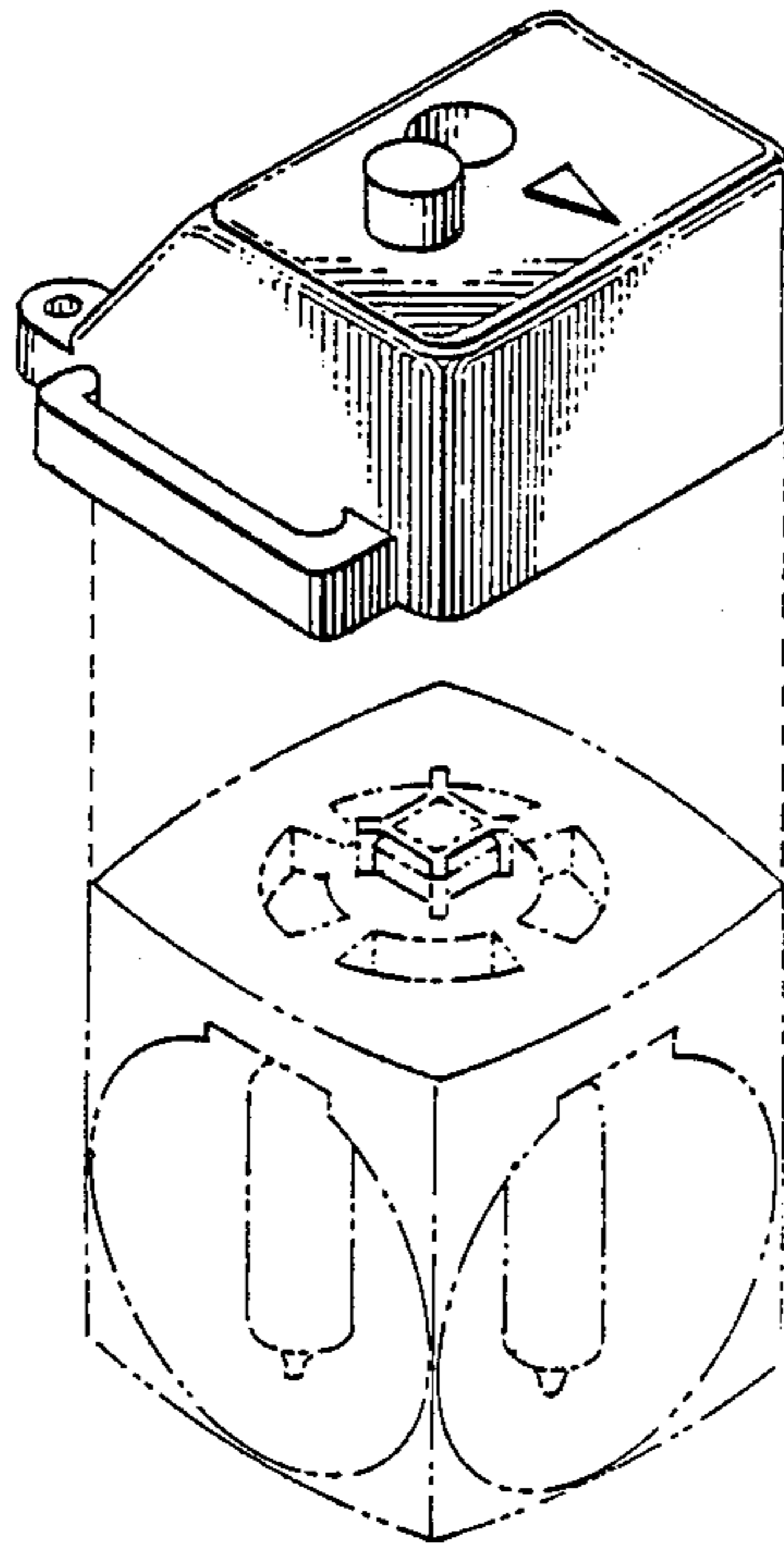
FIG. 1 is a front perspective view showing my new design for a defense flasher housing;
FIG. 2 is a perspective view thereof taken from the opposite side from the view of FIG. 1;
FIG. 3 is a top plan view thereof; and
FIG. 4 is a bottom view thereof.

[56] References Cited

U.S. PATENT DOCUMENTS

D. 210,703 4/1968 Steisslinger D16/42 X
D. 269,954 8/1983 Ohashi D10/114
D. 283,898 5/1986 Buteau D16/42

The broken line showing of the flash cube is for illustrative purposes only and forms no part of the claimed design.



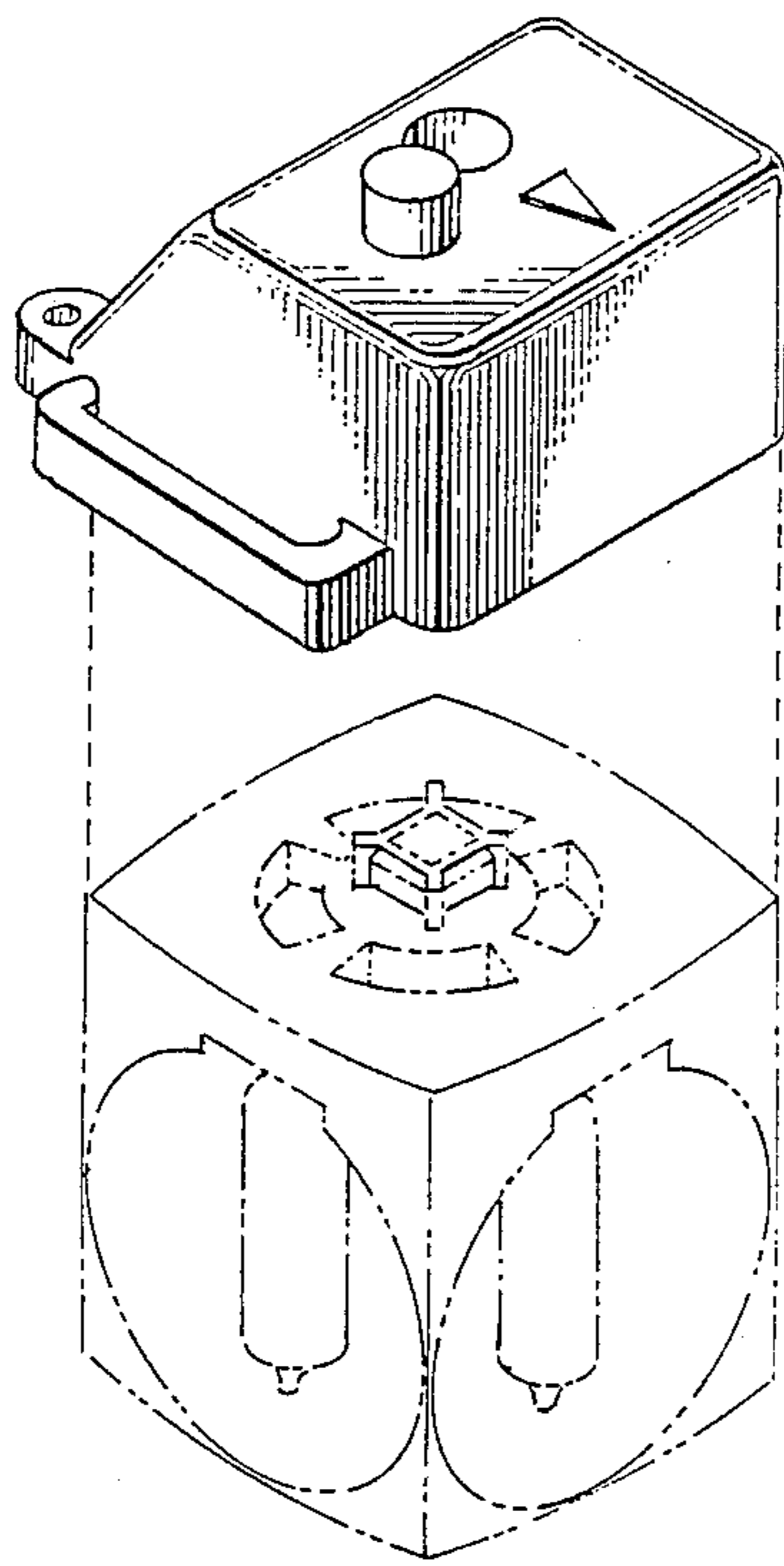


FIG. 1.

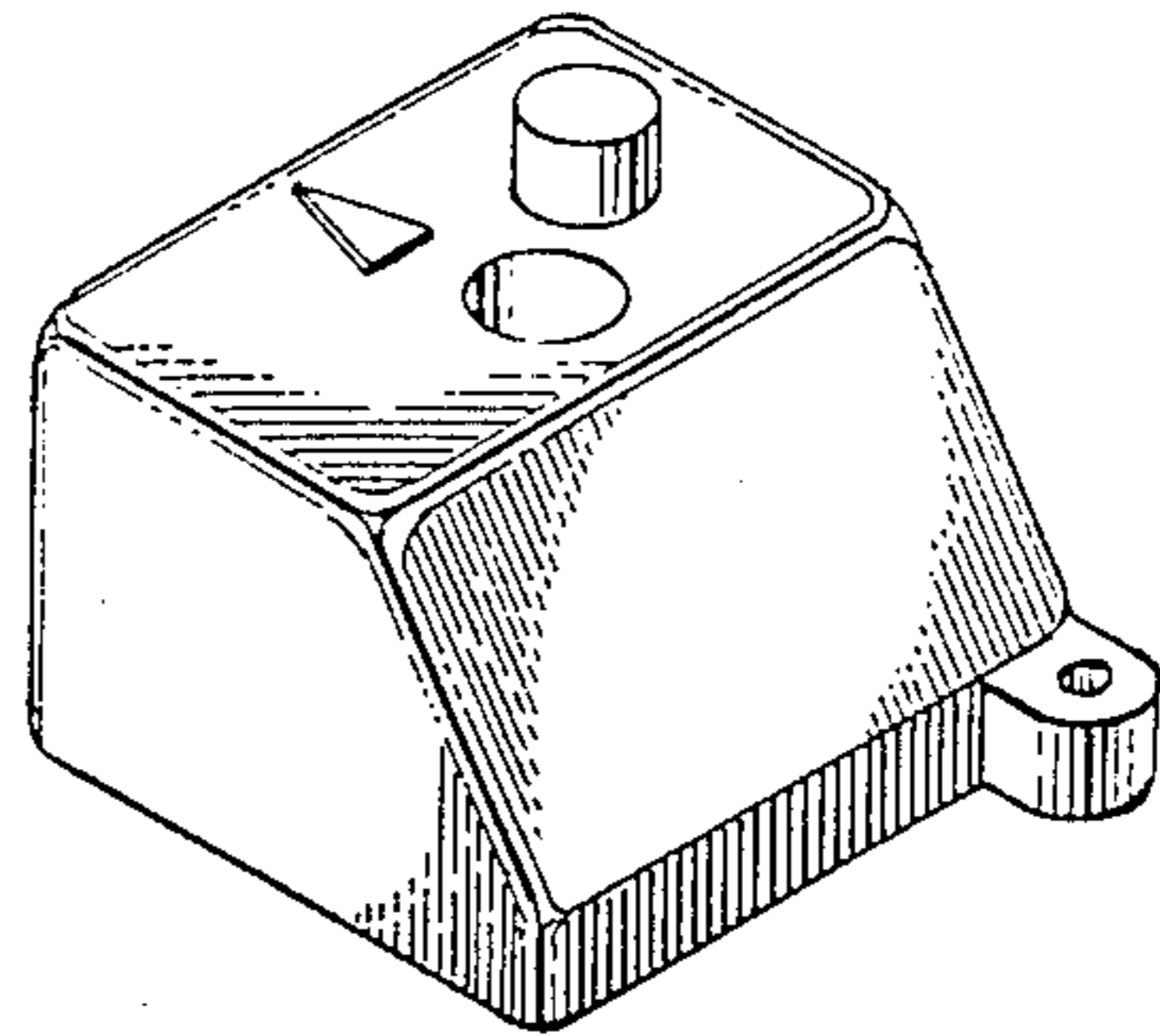


FIG. 2.

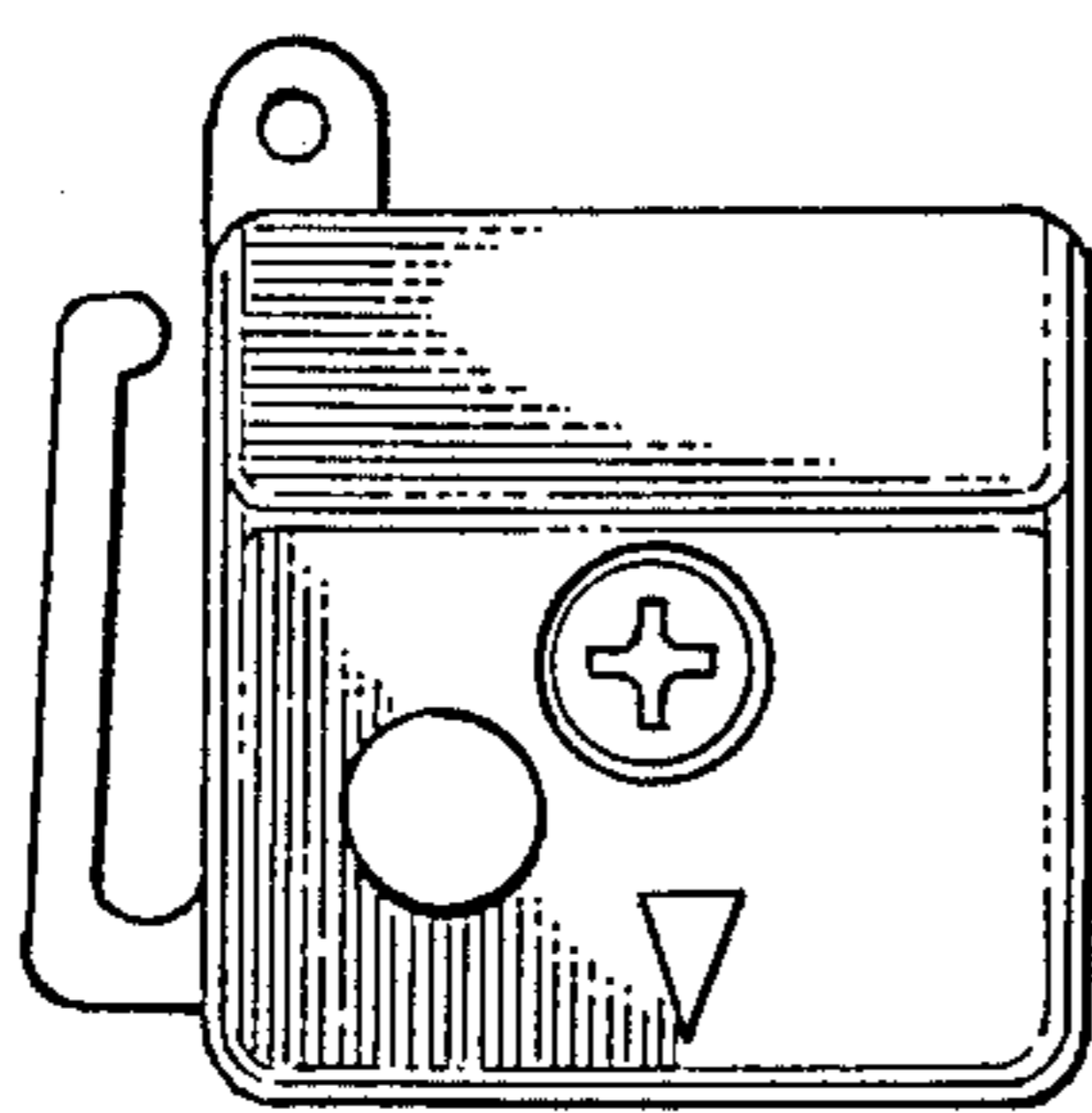


FIG. 3.

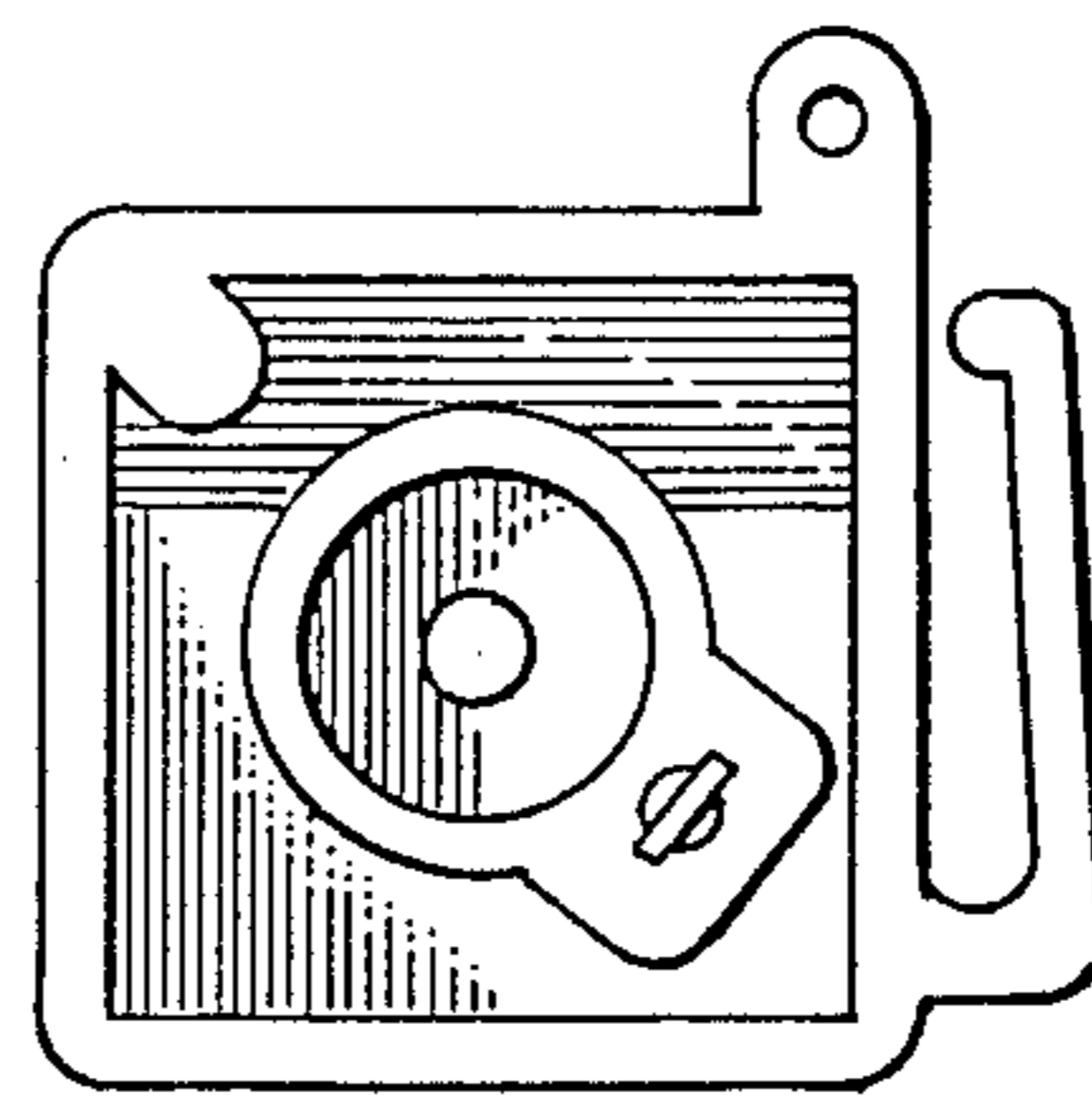


FIG. 4.