

[54] EXERCISE BICYCLE

[76] Inventors: Chue S. Hong, No. 4-2, Lane 63, Chin Hua N. Road, Pei Twen District, Taichung City; Chin S. Chen, No. 30, Lane 229, Pao Tzu Keng Rd., Tai Ping Hsiang, Taichung Hsien, both of Taiwan

[**] Term: 14 Years

[21] Appl. No.: 901,467

[22] Filed: Aug. 28, 1986

[52] U.S. Cl. D21/194

[58] Field of Search D21/191-199; 272/73, 70.3, 70.2, 70.1, 152, DIG. 6; 73/379

[56] References Cited

U.S. PATENT DOCUMENTS

- D. 275,589 9/1984 Gustafsson D21/194
- D. 280,003 8/1985 Kiiski D21/194

- D. 281,520 11/1985 Kiiski D21/194
- D. 285,816 9/1986 Berntsson D21/194
- D. 289,669 5/1987 Kasuba et al. D21/194
- D. 293,598 1/1988 Kiiski D21/194
- 4,673,178 6/1987 Dwight 272/73

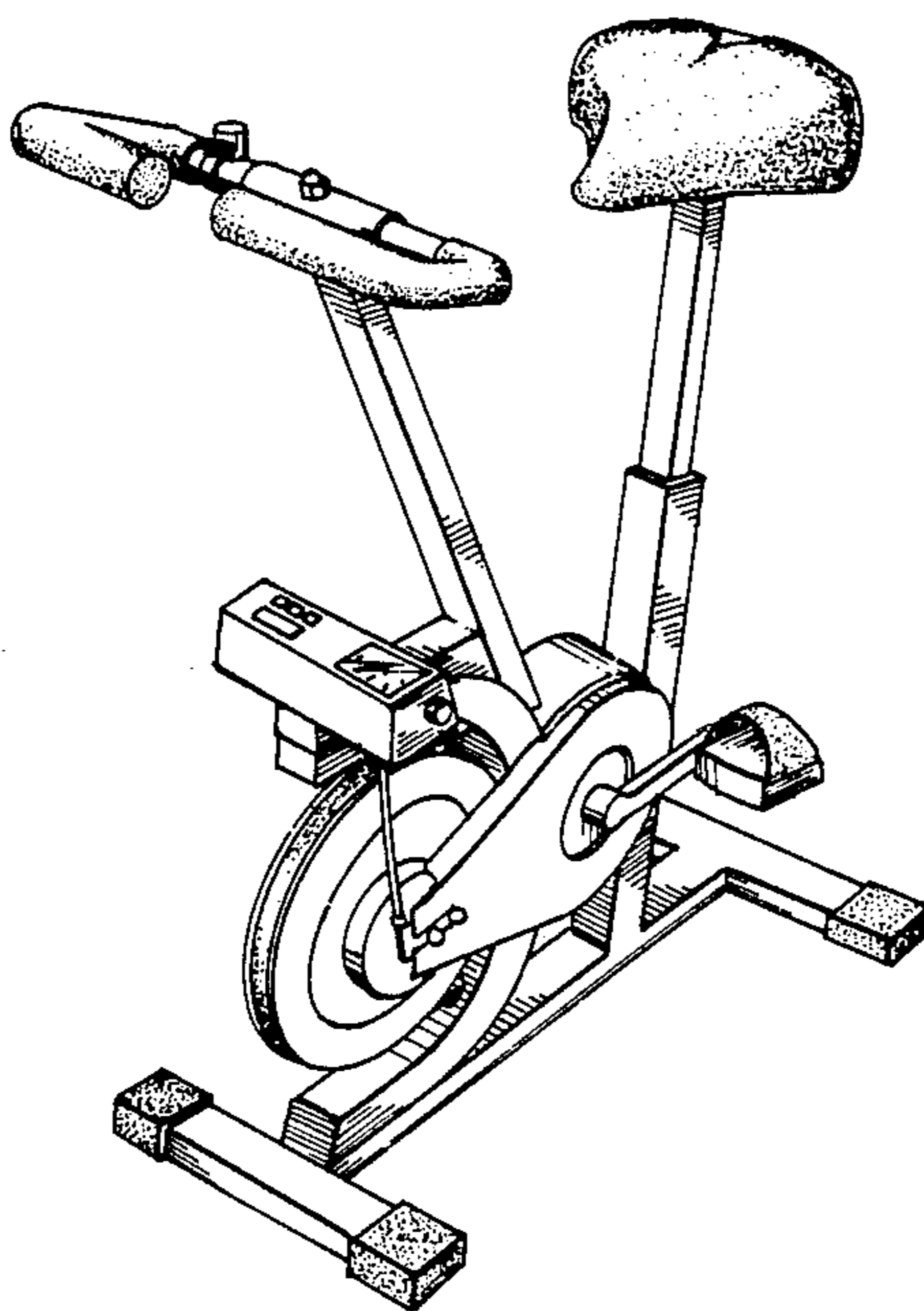
Primary Examiner—Charles A. Rademaker
Attorney, Agent, or Firm—Bacon & Thomas

[57] CLAIM

The ornamental design for an exercise bicycle, as shown and described.

DESCRIPTION

FIG. 1 is a perspective view of an exercise bicycle showing our new design;
 FIG. 2 is a right side elevational view thereof;
 FIG. 3 is a left side elevational view thereof;
 FIG. 4 is a top plan view thereof;
 FIG. 5 is a bottom plan view thereof;
 FIG. 6 is a front elevational view thereof;
 FIG. 7 is a rear elevational view thereof.



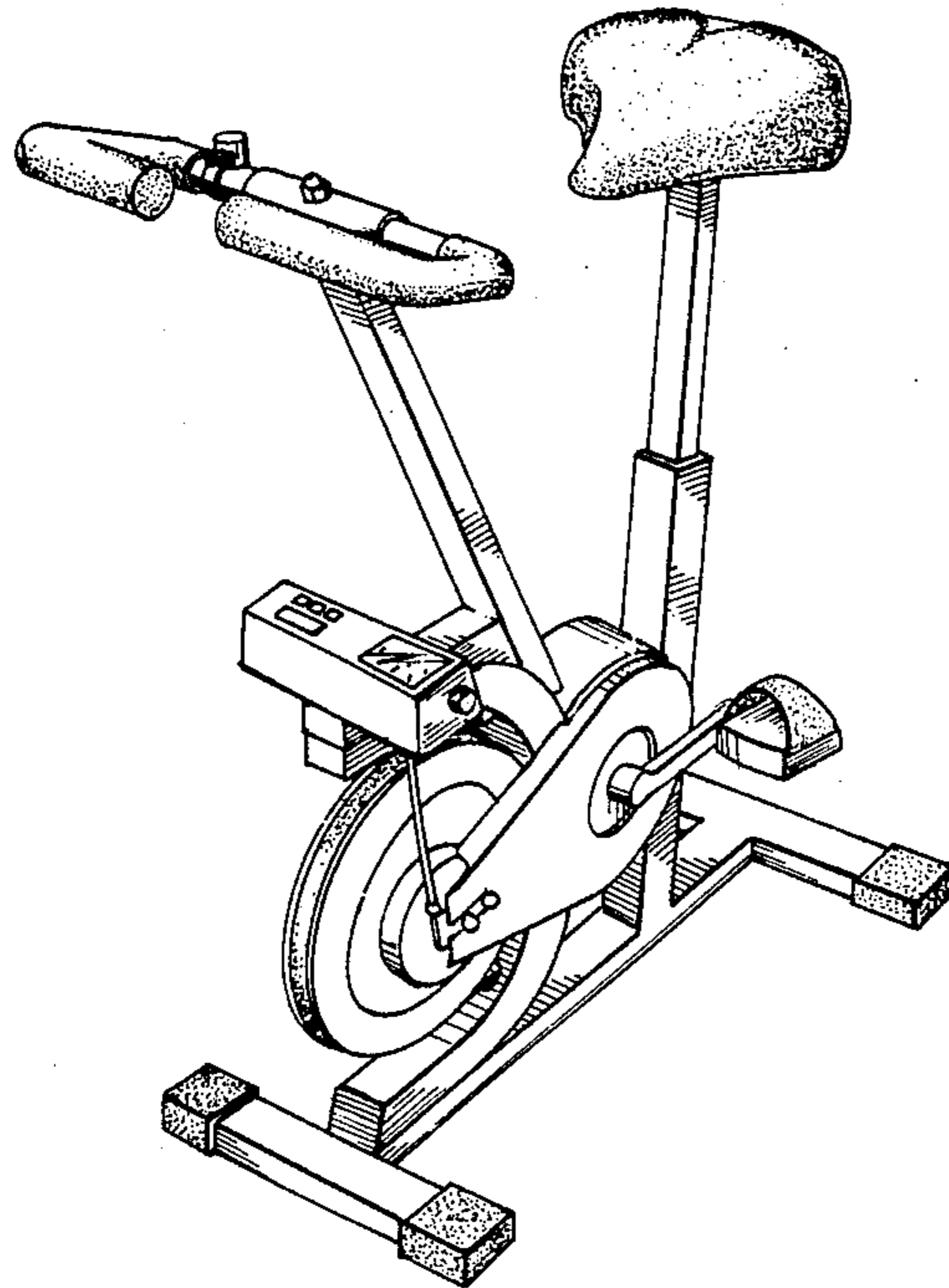


FIG. 1

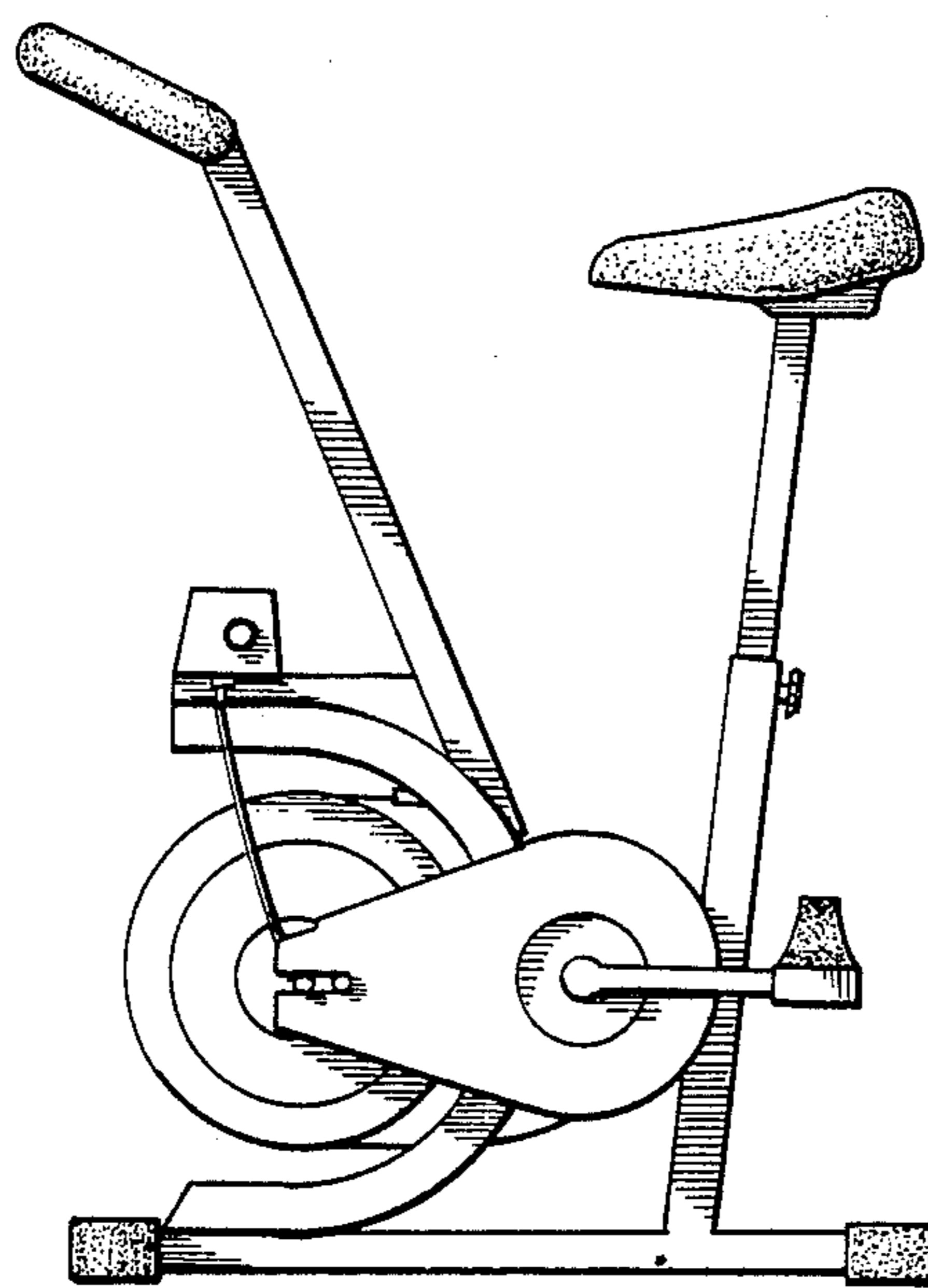


FIG. 2

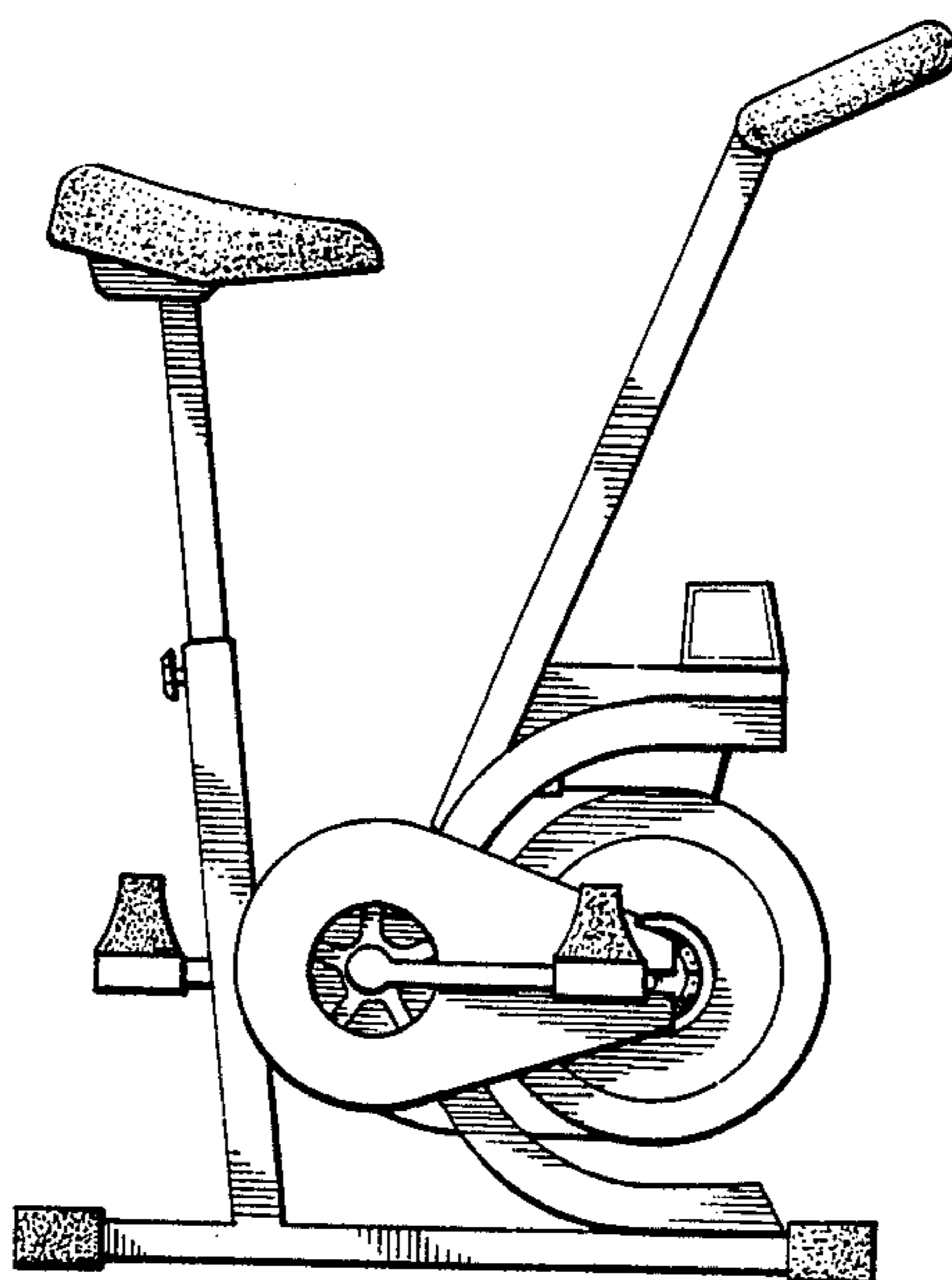


FIG. 3

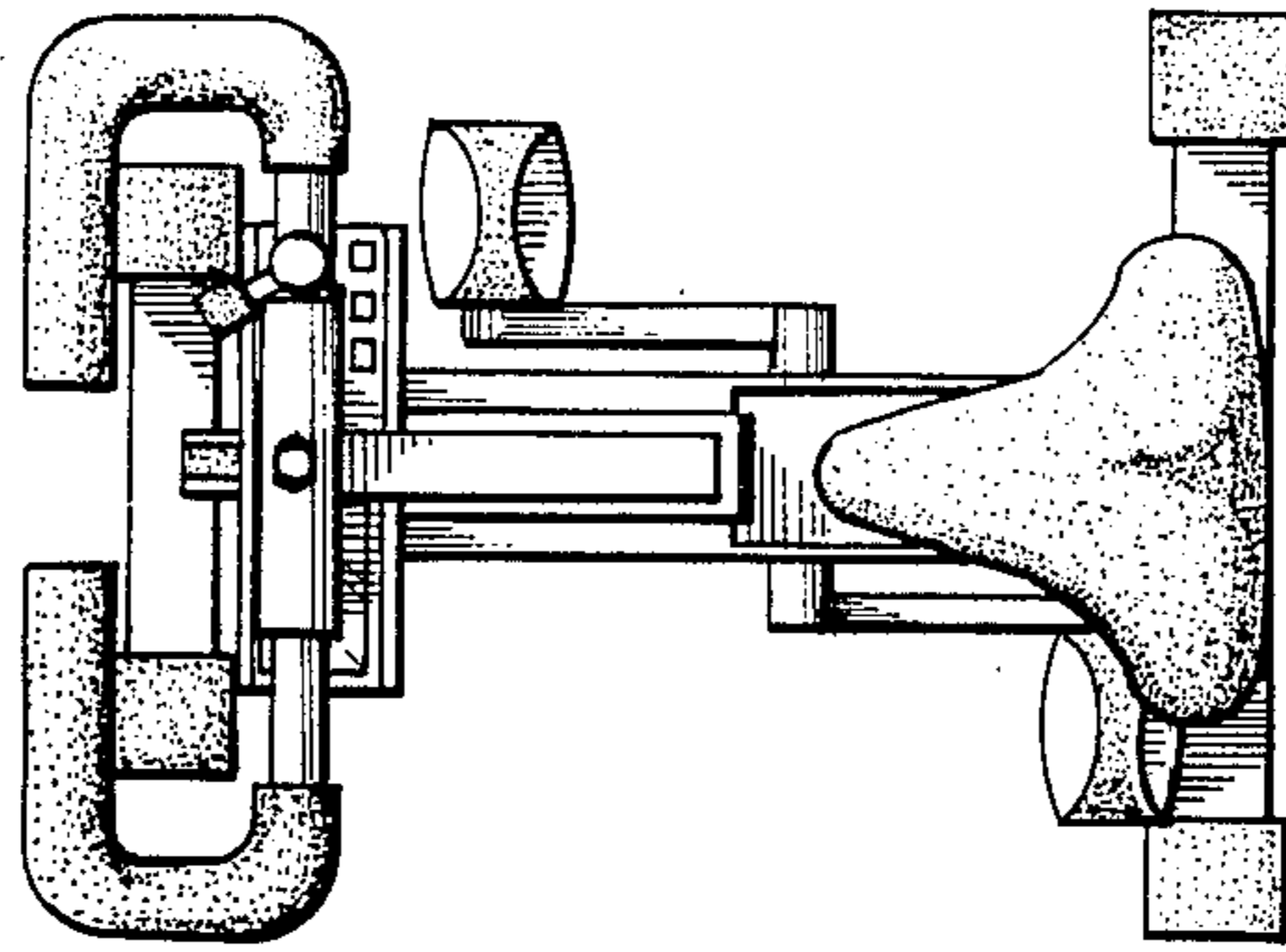


FIG. 4

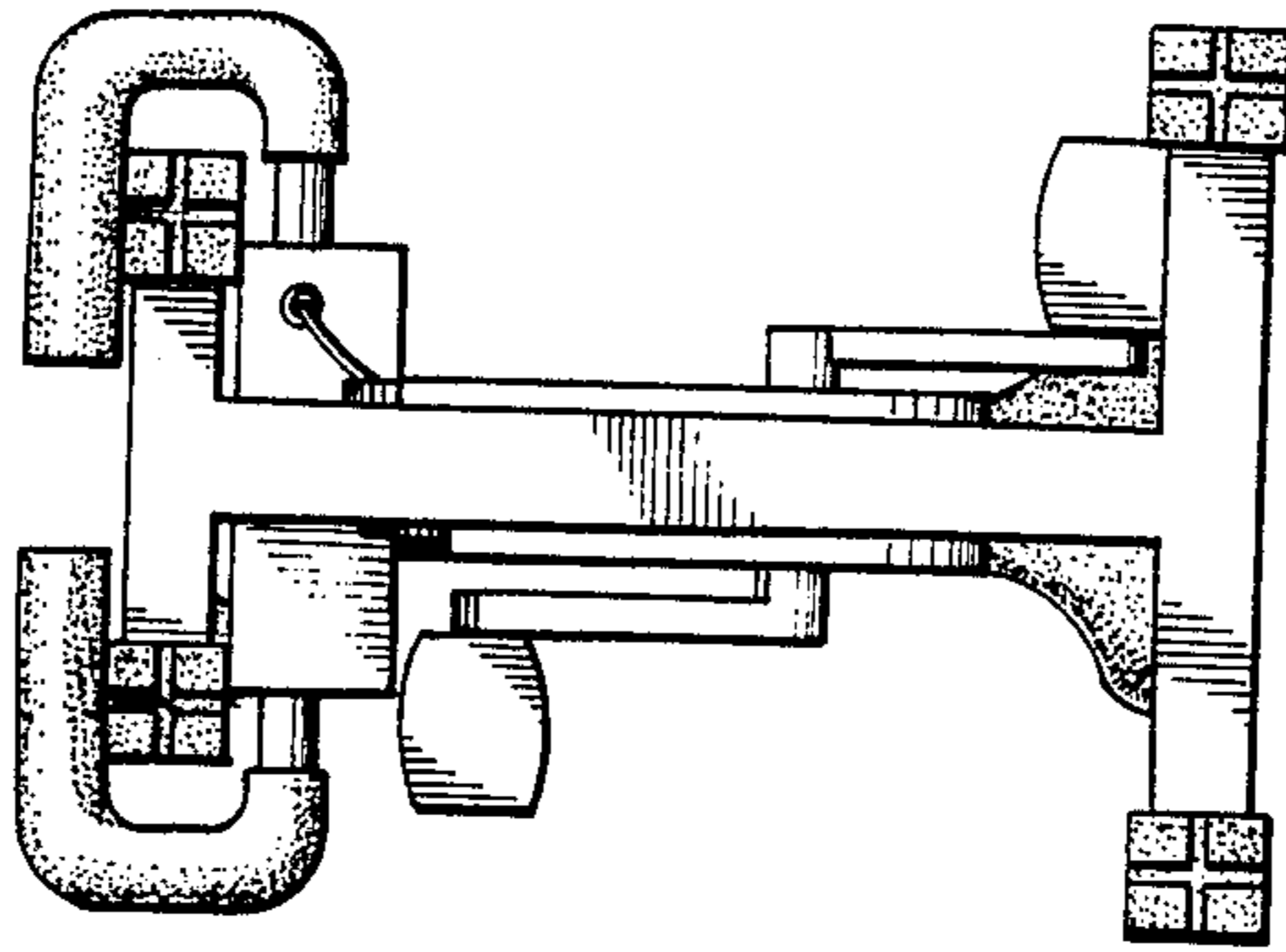


FIG. 5

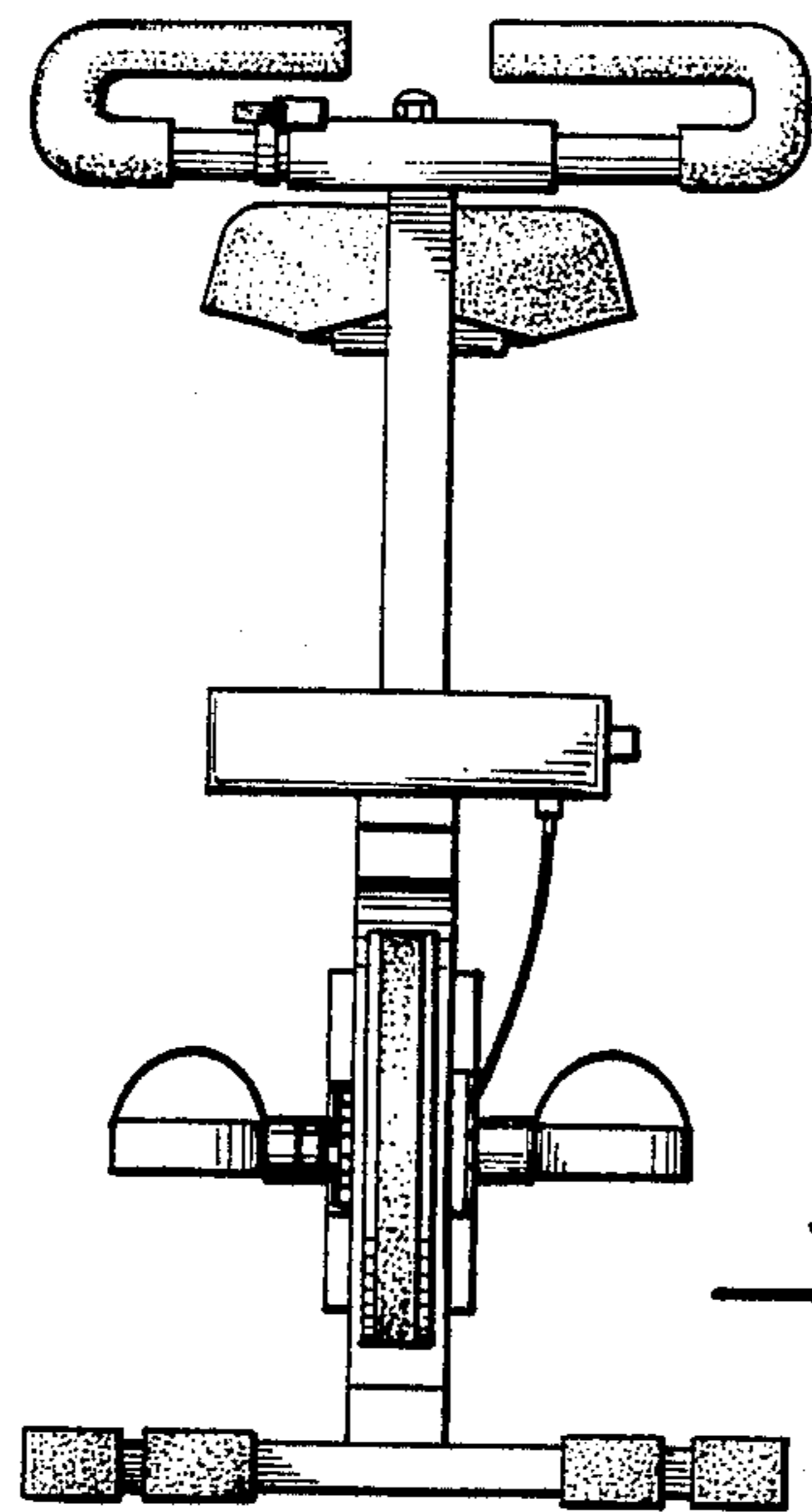


FIG. 6

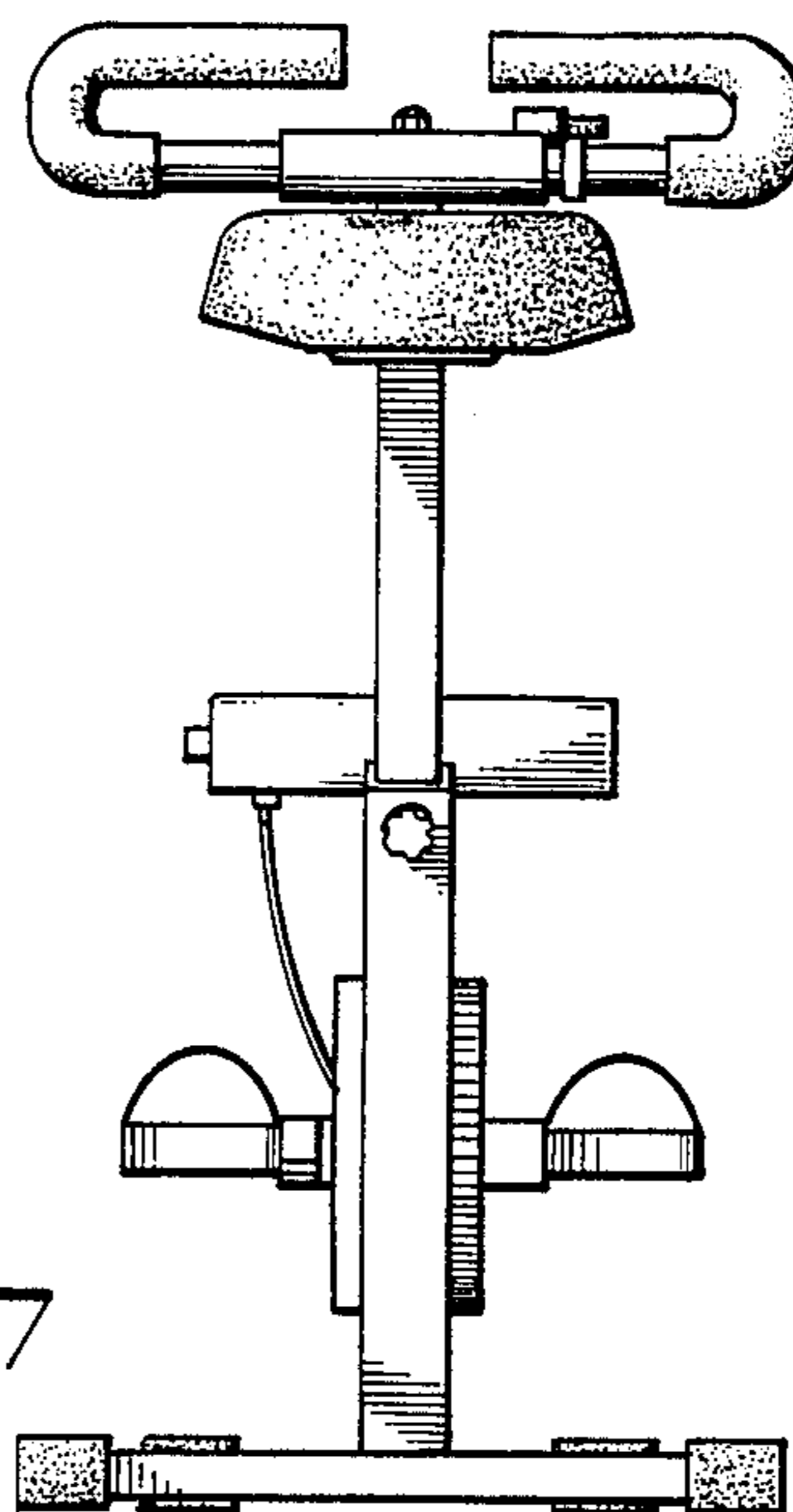


FIG. 7