

[54] **MAIN BEAM FOR A ROWING MACHINE**

[76] **Inventor:** Ronald A. McNeil, P.O. Box 1127,
Havana, Fla. 32333

[**] **Term:** 14 Years

[21] **Appl. No.:** 714,723

[22] **Filed:** Mar. 22, 1985

[52] **U.S. Cl.** D21/191

[58] **Field of Search** D25/75, 77; 272/72,
272/143, 134, 144, 145, 79; D21/194, 195, 191

[56] **References Cited**

U.S. PATENT DOCUMENTS

D. 287,388 12/1986 Cheng D21/195
2,725,832 12/1955 Huntington D25/75
3,545,496 12/1970 Wogerbauer D25/75

OTHER PUBLICATIONS

Schwinn Fitness Equipment Catalog, ©1984,
"RM-1000" Exercise Rowing Machine.

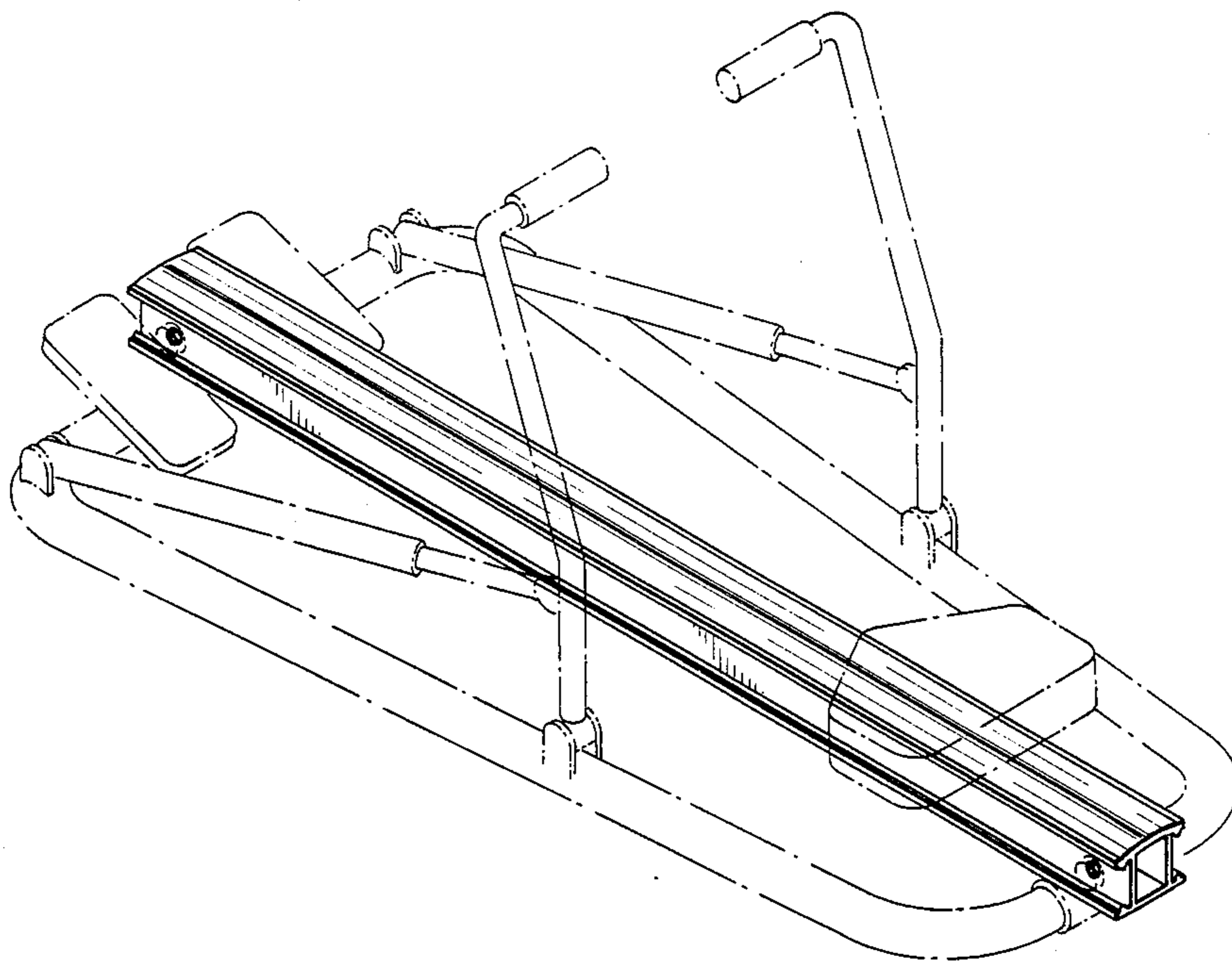
Primary Examiner—Charles A. Rademaker
Attorney, Agent, or Firm—Shlesinger, Arkwright &
Garvey

[57] **CLAIM**

The ornamental design for a main beam for a rowing machine, as shown and described.

DESCRIPTION

FIG. 1 is a perspective view of a main beam for a rowing machine showing my new design;
FIG. 2 is a right side elevational view thereof, the side opposite being a mirror image;
FIG. 3 is a top plan view thereof;
FIG. 4 is a front elevational view thereof, the side opposite being a mirror image; and,
FIG. 5 is a bottom plan view thereof.
The broken lines shown in FIG. 1 represent environment only. Portions of FIGS. 3, 4 and 5 have been shown in fragment for ease of illustration.



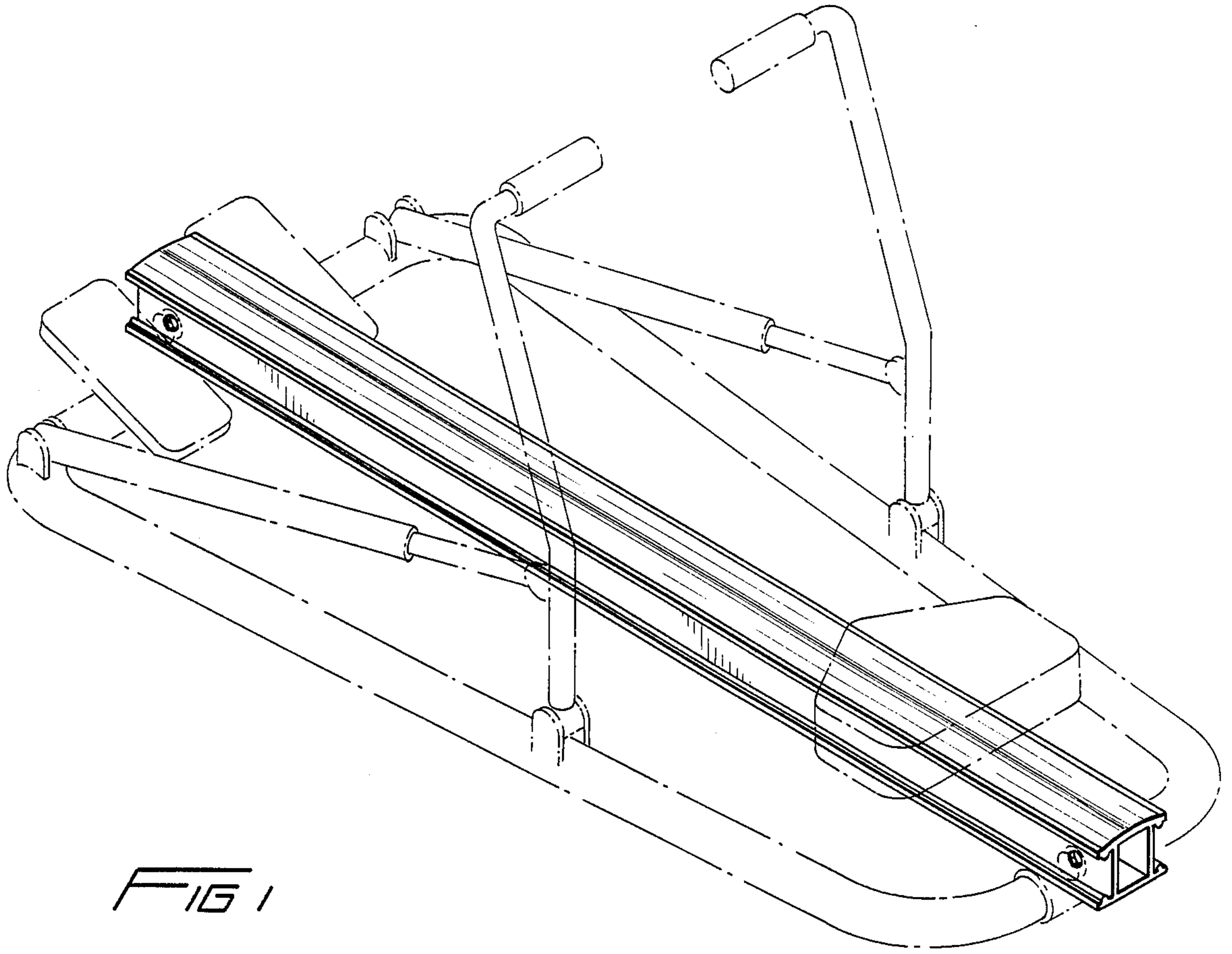


FIG 1

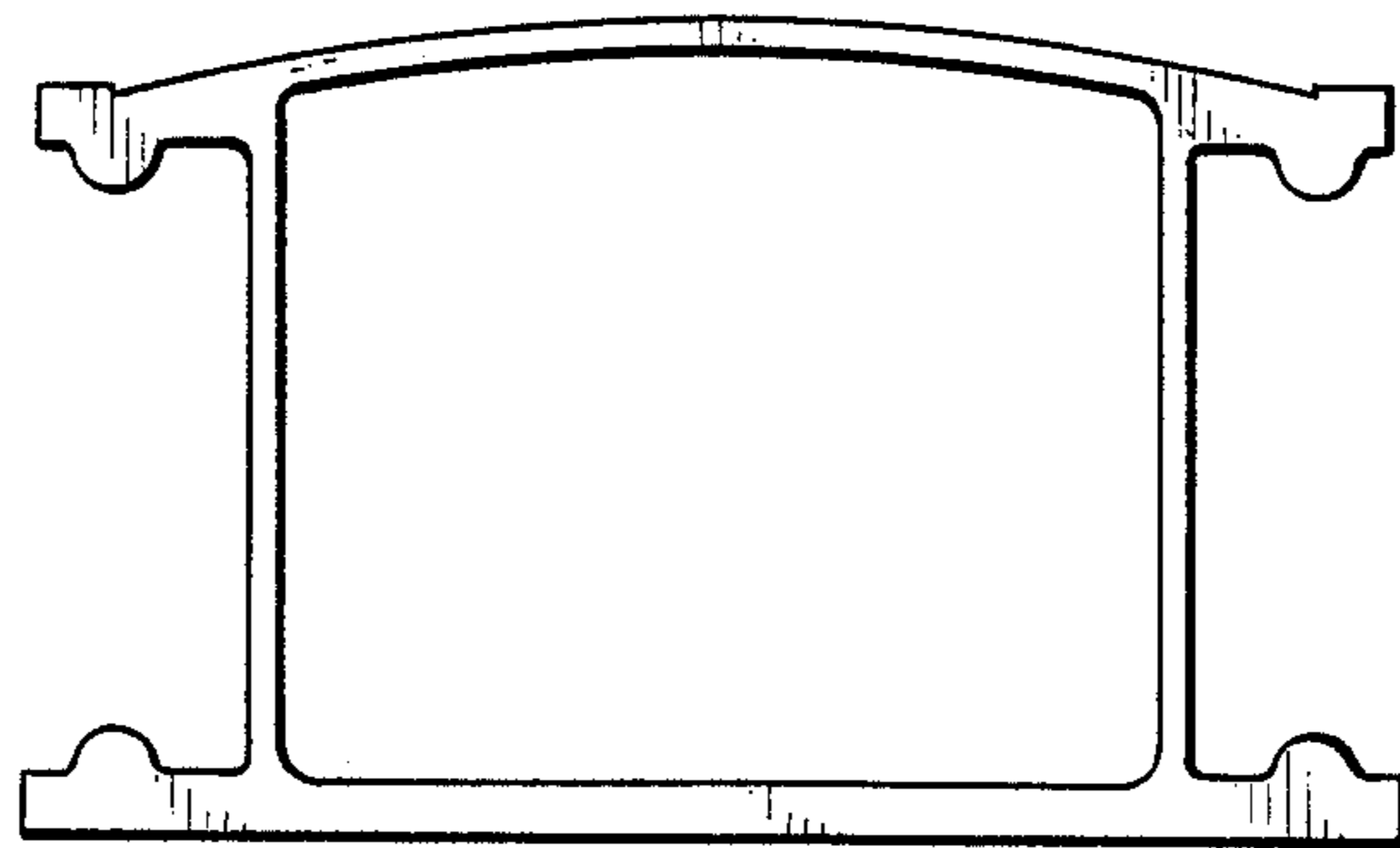


FIG 2

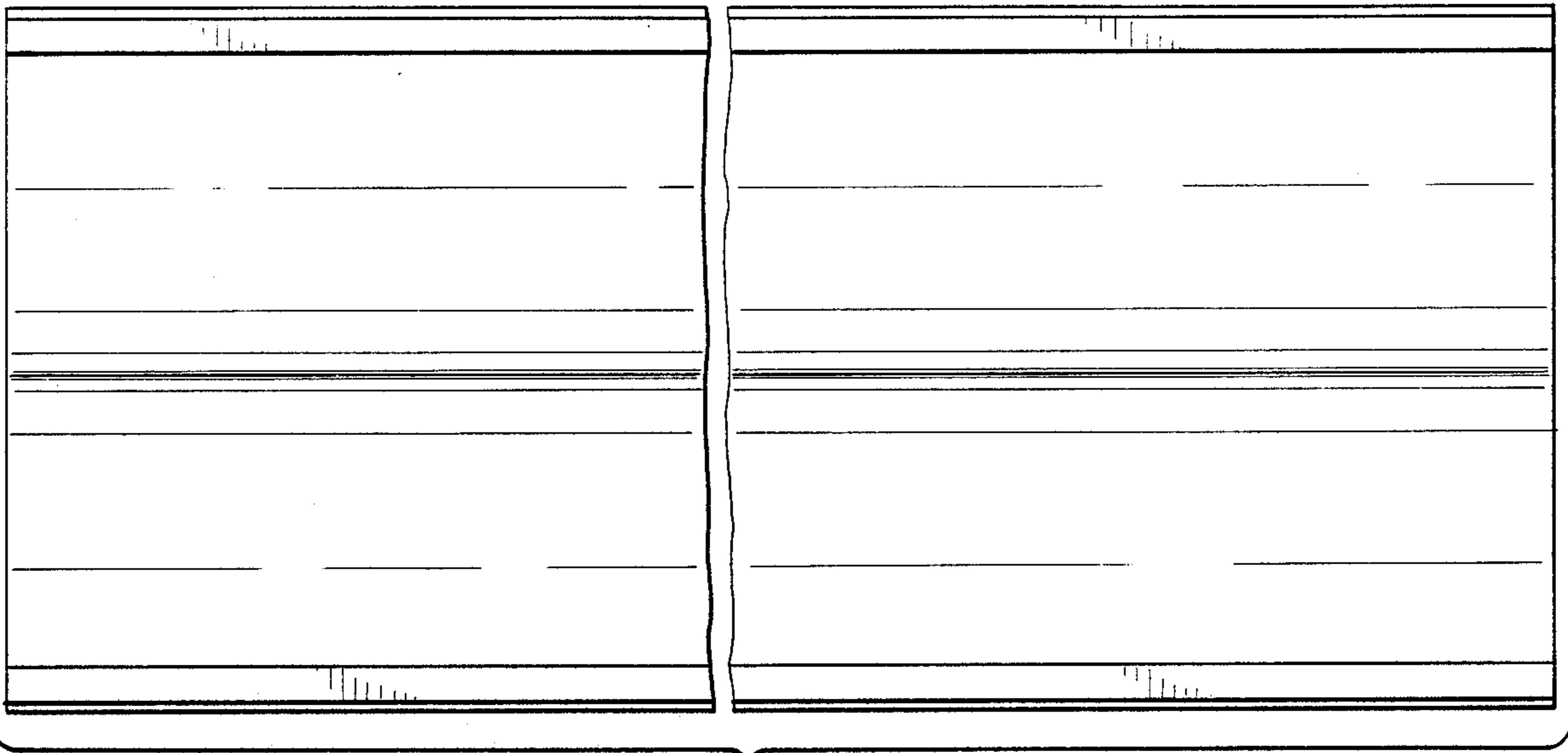


FIG 3

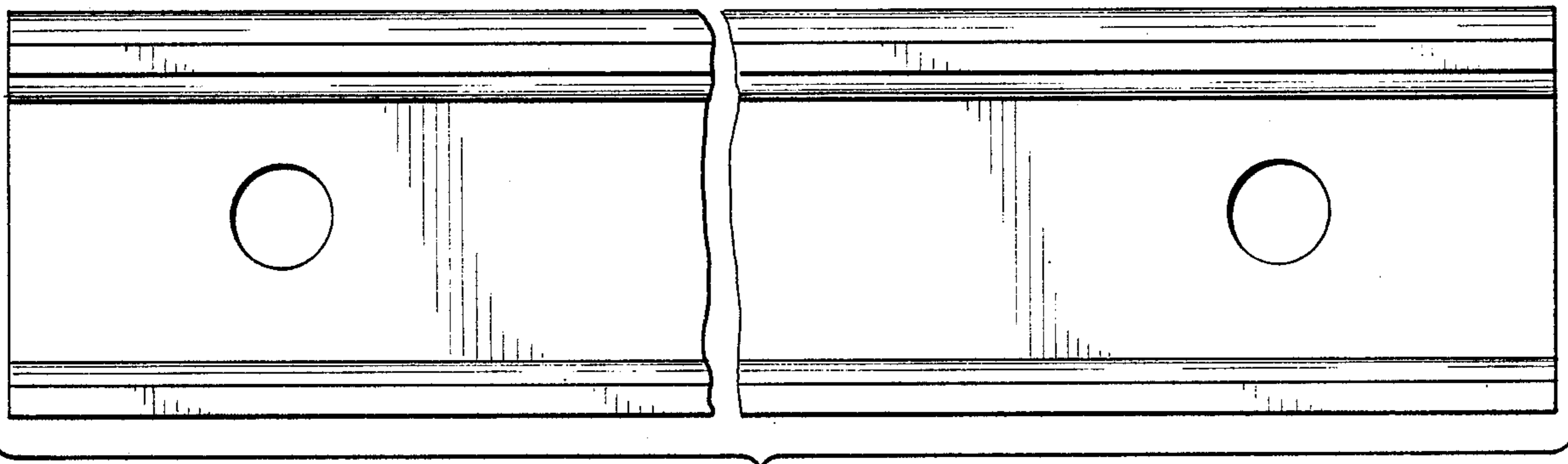


FIG 4

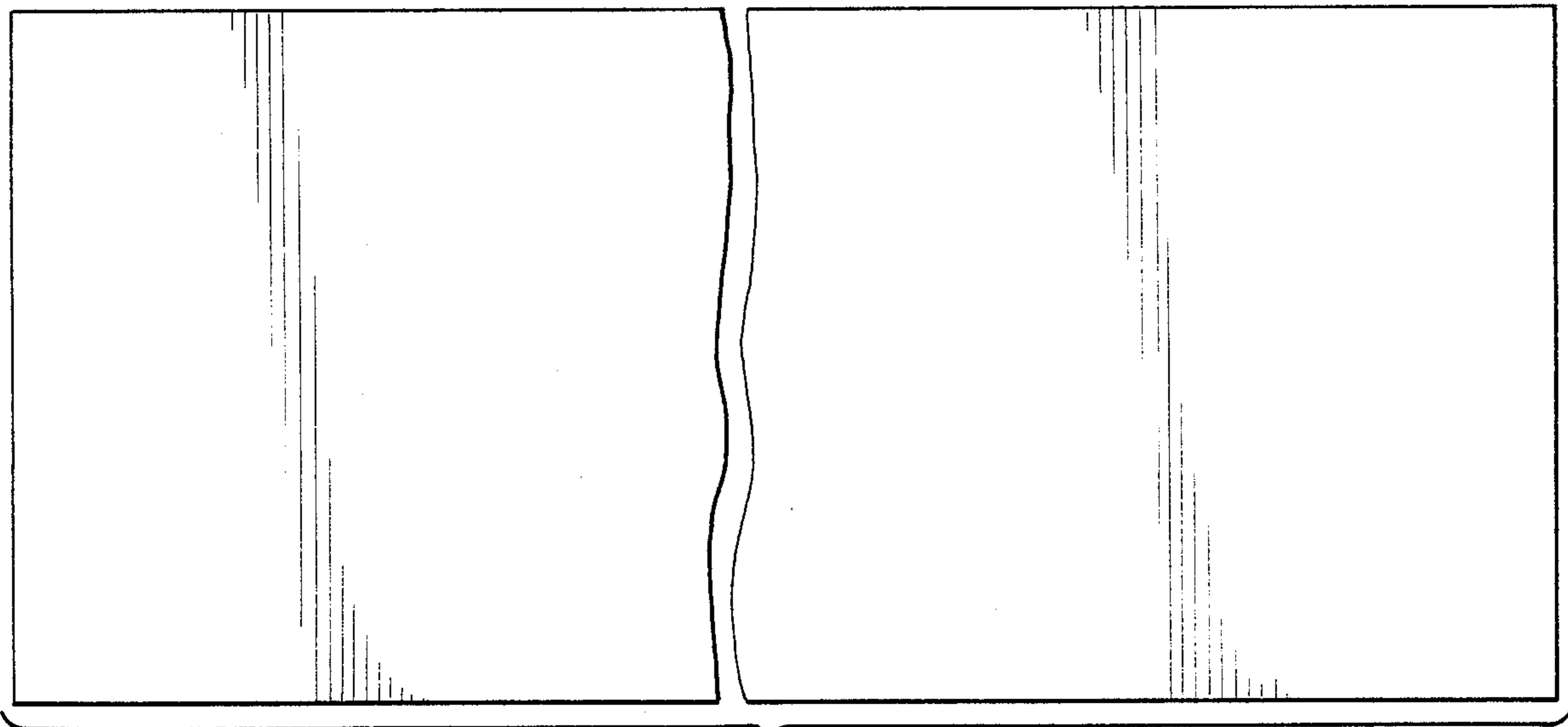


FIG 5