

[54] EXERCISE BENCH

[76] Inventor: Joseph K. Howze, P.O. Box 1574,
Chula Vista, Calif. 92012

[**] Term: 14 Years

[21] Appl. No.: 889,009

[22] Filed: Jul. 24, 1986

[52] U.S. Cl. D21/191

[58] Field of Search D21/191-199;
D6/343, 350, 353, 373; 272/143, 134, 144, 145,
142, 136, 123, 125

[56] References Cited

U.S. PATENT DOCUMENTS

D. 258,975	4/1981	Irvine	D21/191
D. 262,810	1/1982	Lynn	D21/191
D. 277,219	1/1985	Johnson	D21/191
D. 288,950	3/1987	Wilson	D21/191
D. 290,281	6/1987	Ringel et al.	D21/191

454,100	6/1891	Wilson .
2,228,793	1/1941	Swofford .
2,724,428	11/1955	Sellner .
3,036,830	5/1962	Hotas .
3,544,161	12/1970	Bryden .
3,754,787	8/1973	Garber .
4,358,109	11/1982	Schrems .

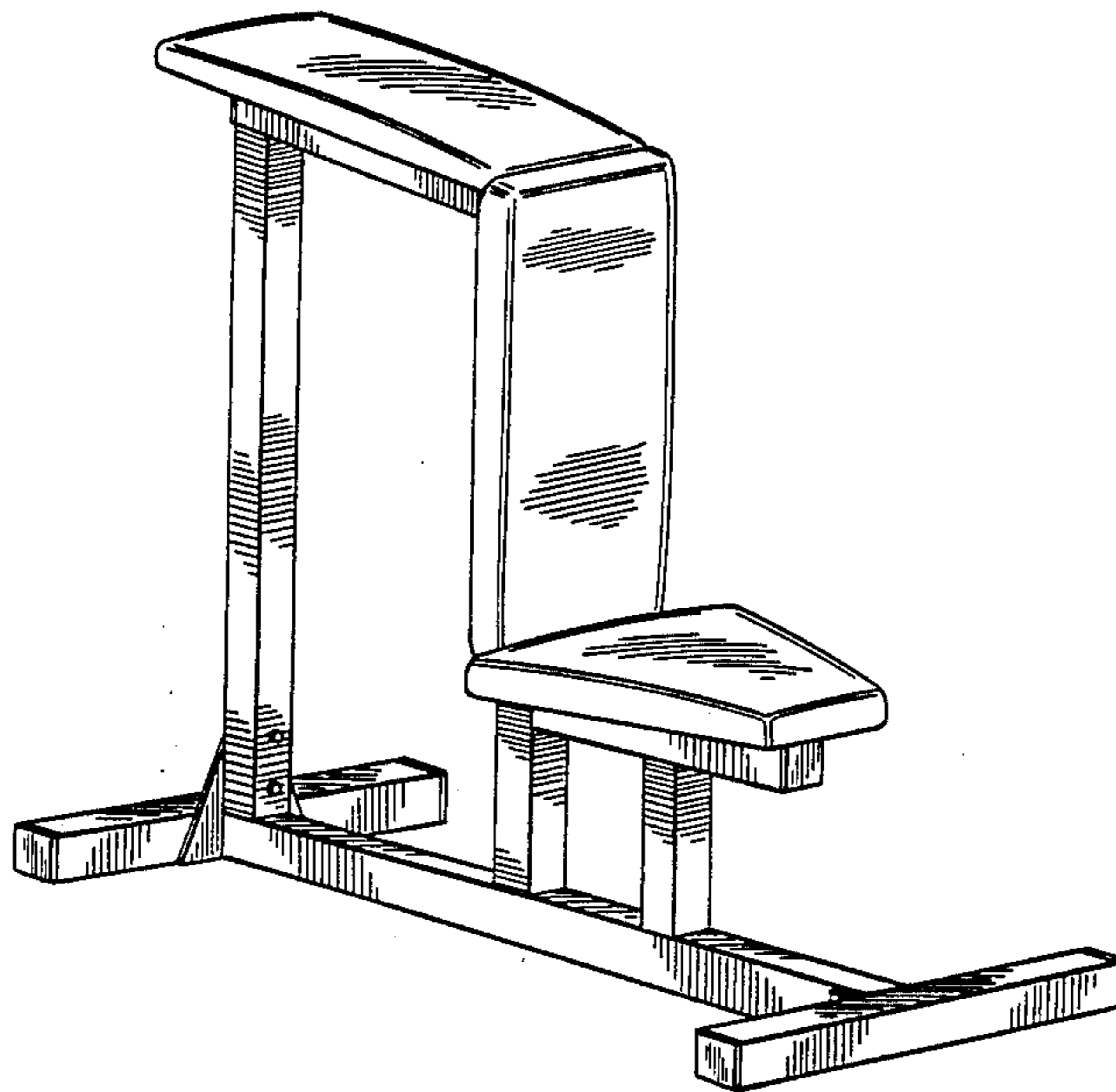
Primary Examiner—Charles A. Rademaker
Attorney, Agent, or Firm—Brown, Martin, Haller &
Meador

[57] CLAIM

The ornamental design for an exercise bench, as shown.

DESCRIPTION

FIG. 1 is a perspective view of an exercise bench, showing my new design;
FIG. 2 is a side elevational view thereof;
FIG. 3 is a rear elevational view thereof;
FIG. 4 is a top plan view thereof; and
FIG. 5 is a bottom plan view thereof.



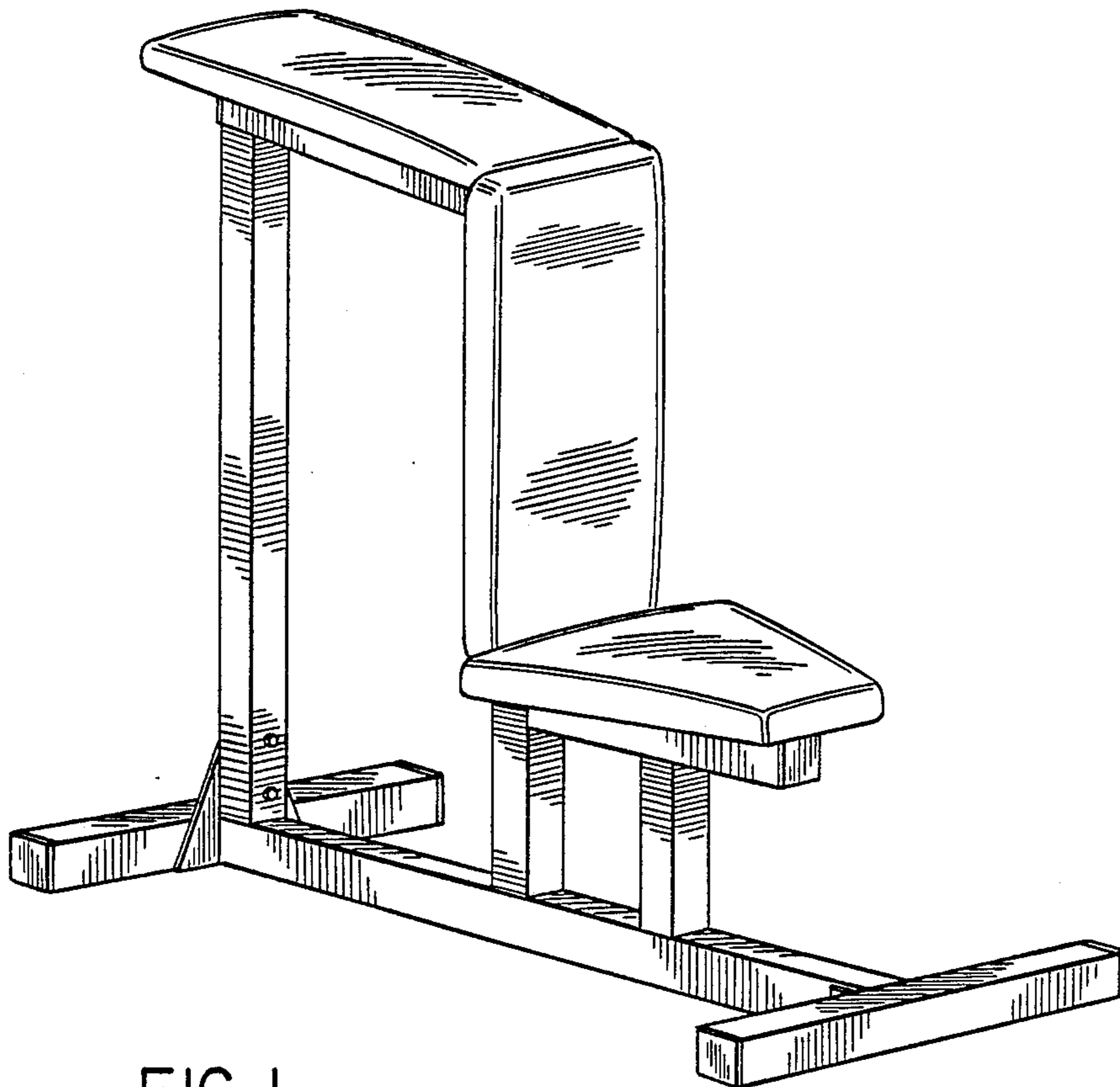


FIG. 1

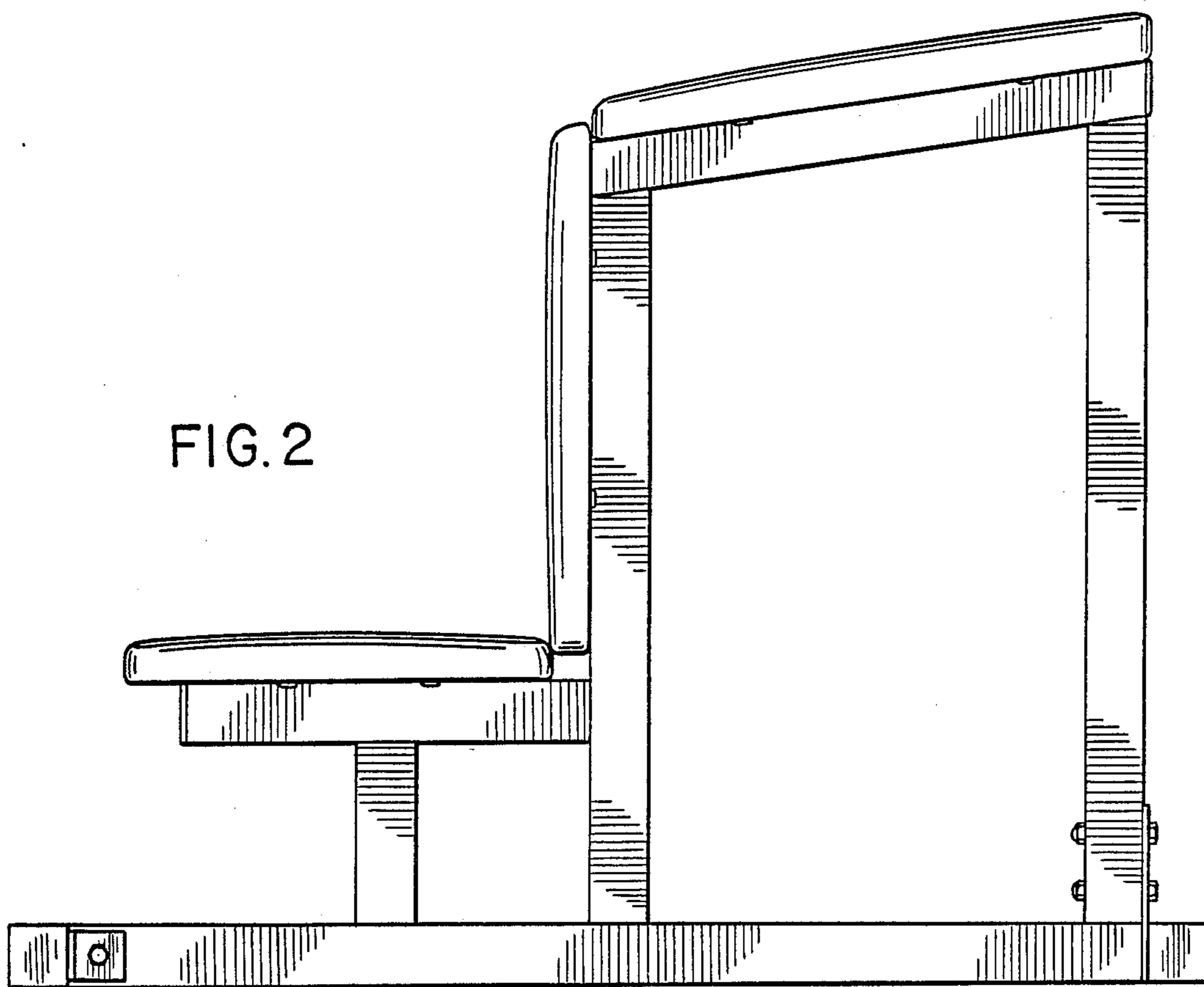


FIG. 2

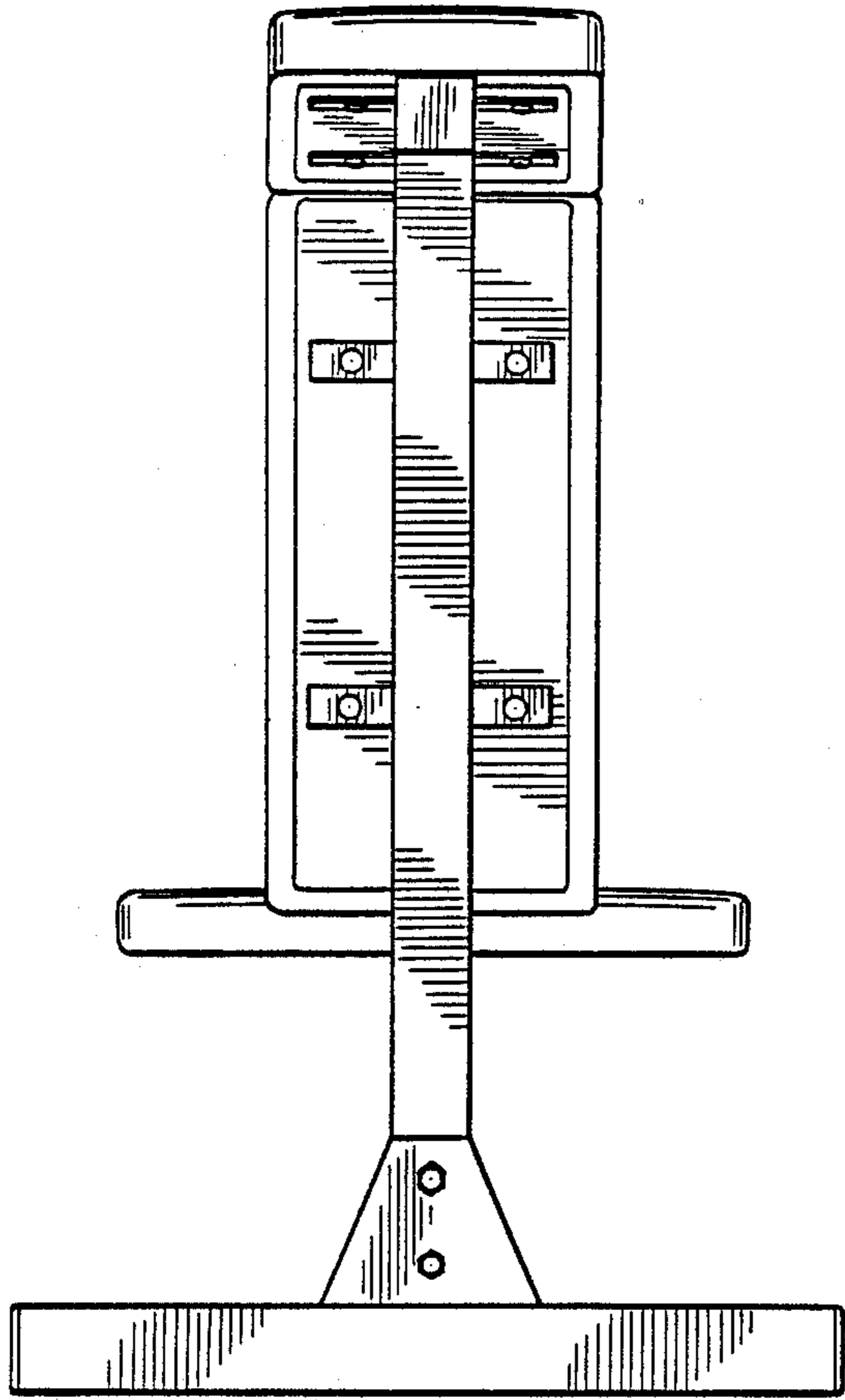


FIG. 3

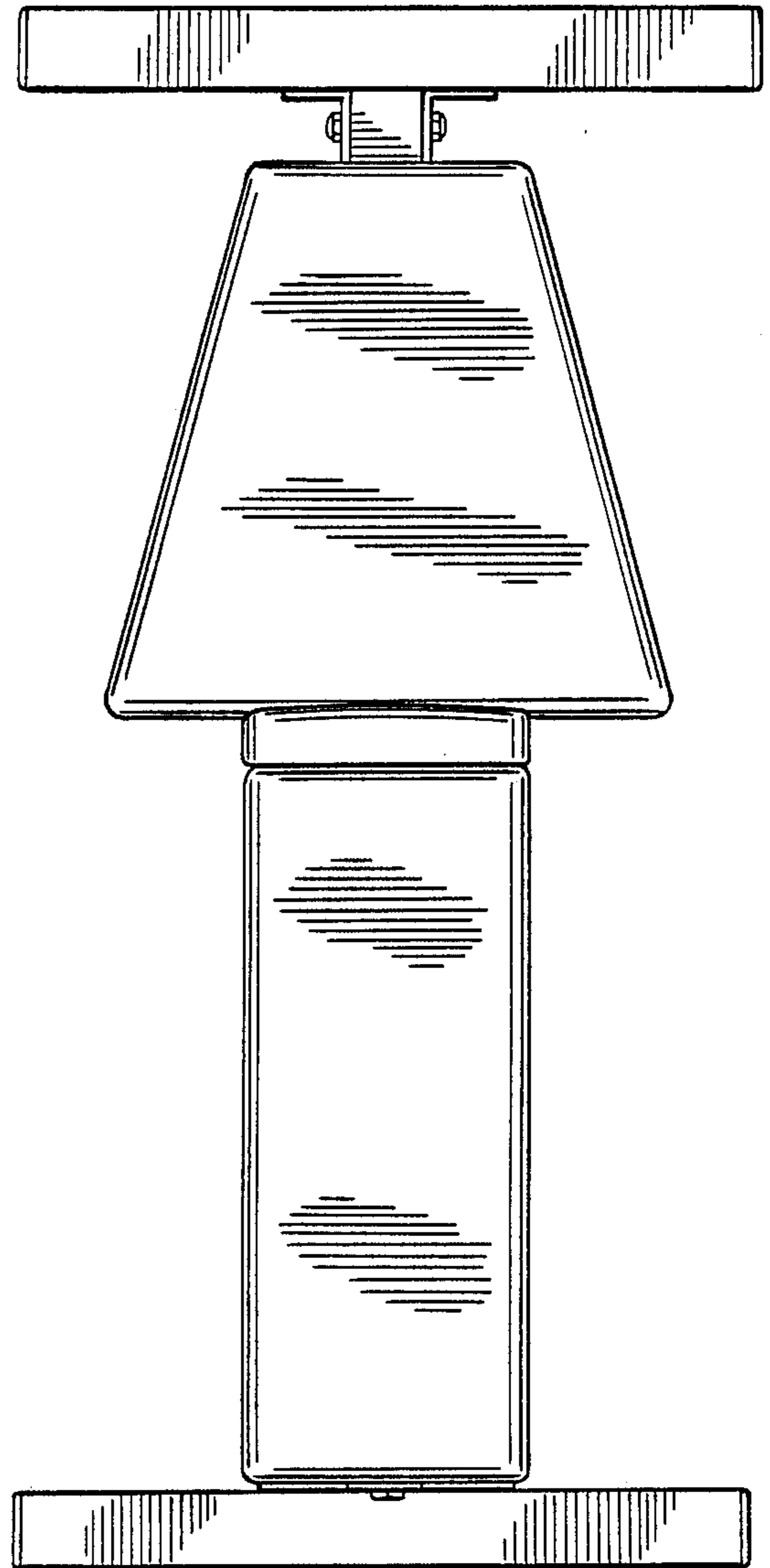


FIG. 4

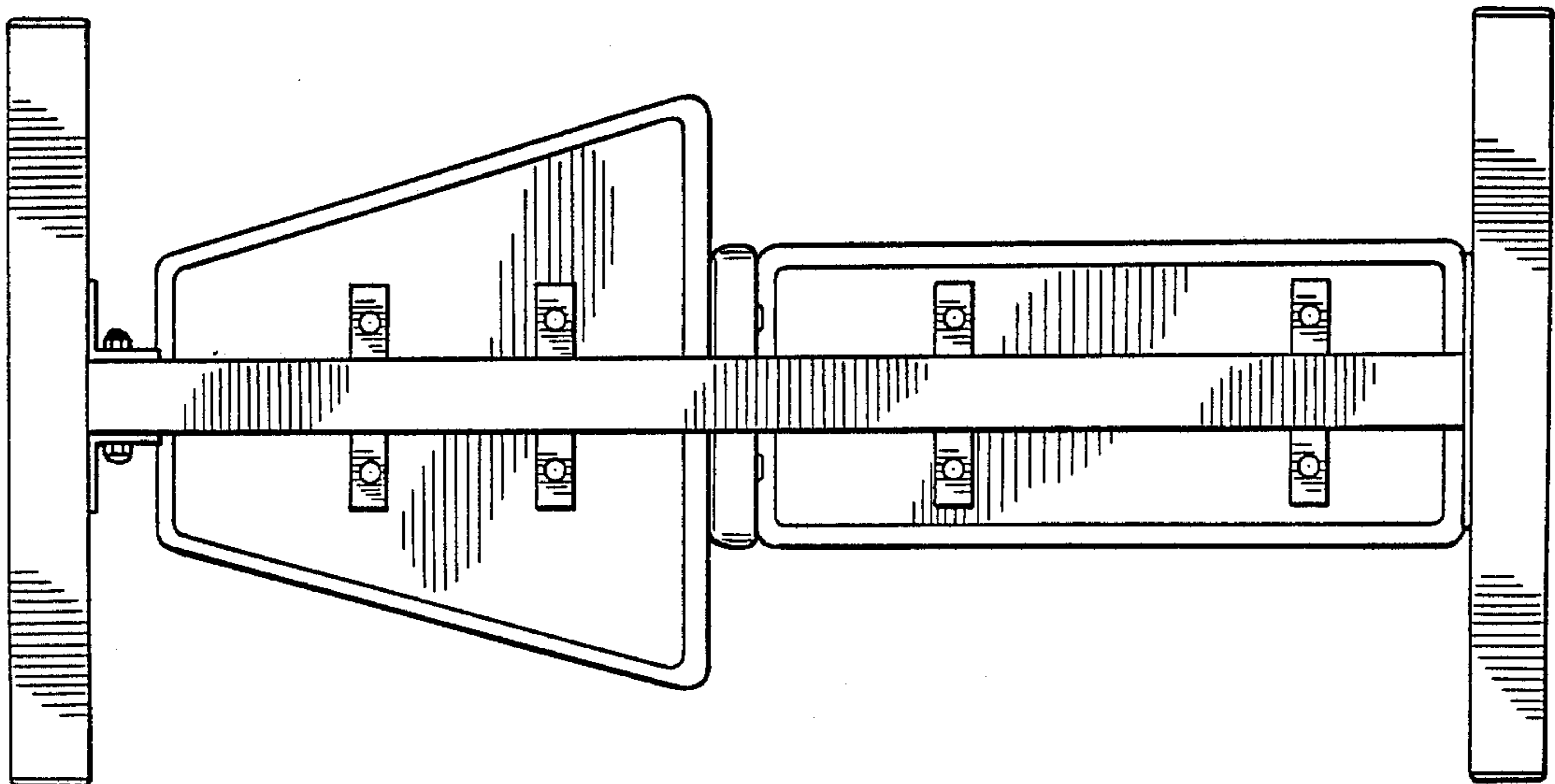


FIG. 5