

[54] CUTTING ATTACHMENT FOR A LAWN AND WEED TRIMMER

[76] Inventor: Anthony L. Lee, P.O. Box 617, Walnut Grove, Calif. 95690

[**] Term: 14 Years

[21] Appl. No.: 916,671

[22] Filed: Oct. 8, 1986

[52] U.S. Cl. D8/8

[58] Field of Search D8/7-8; 30/276, 347; 56/12.7, 294-295, 249, 255

[56] References Cited

U.S. PATENT DOCUMENTS

D. 262,512	1/1982	Moore	D8/8
D. 280,903	10/1985	Barbula	D8/7
4,265,018	5/1981	Schrock et al.	30/276
4,270,271	6/1981	Feldman et al.	30/276
4,476,632	10/1984	Proulx	30/276

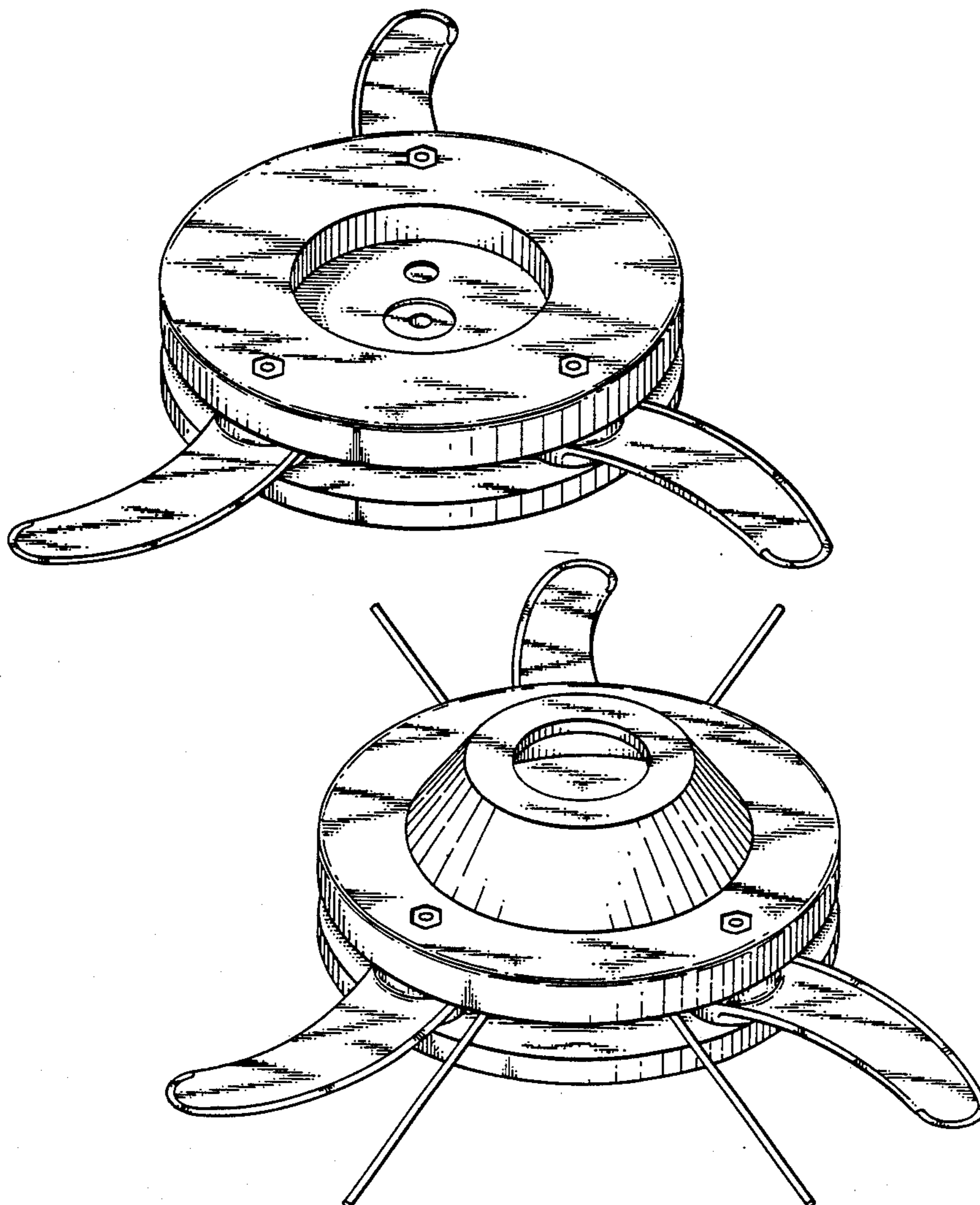
Primary Examiner—Wallace R. Burke
Assistant Examiner—Brian N. Vinson
Attorney, Agent, or Firm—Flehr, Hohbach, Test, Albritton & Herbert

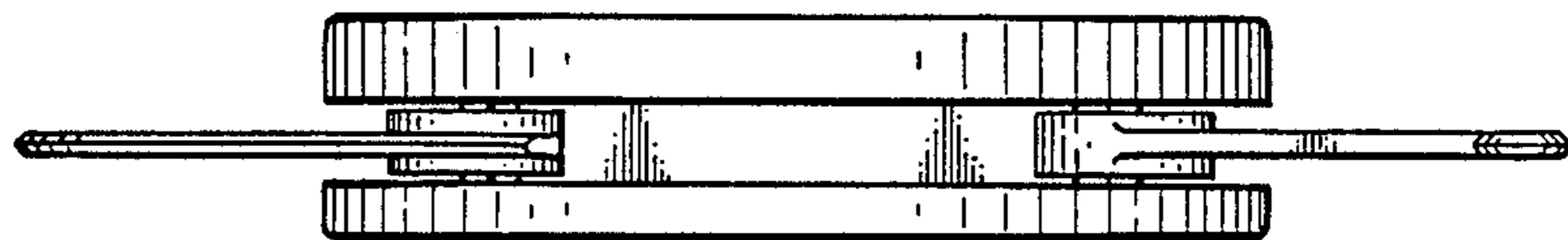
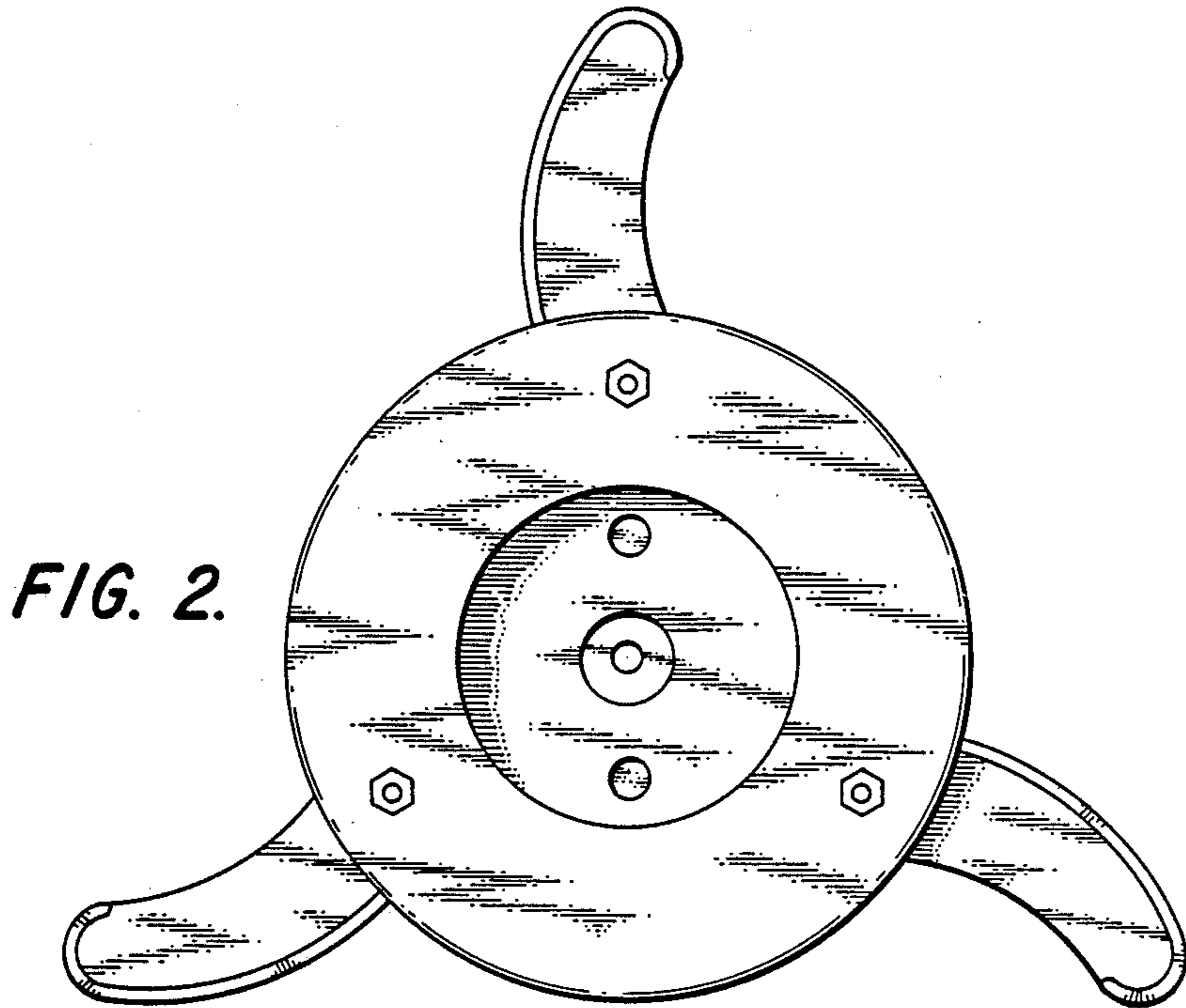
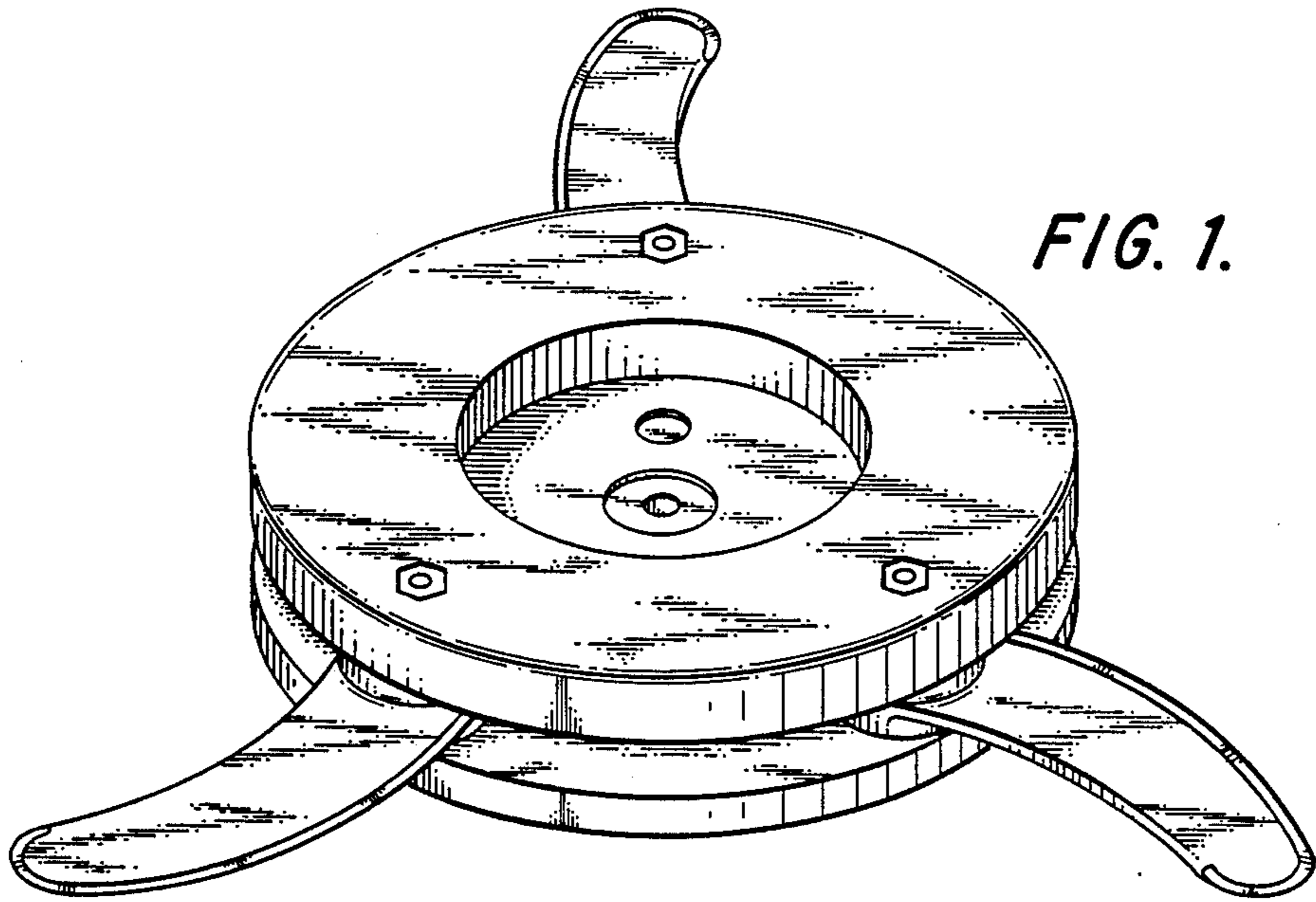
[57] CLAIM

The ornamental design for a cutting attachment for a lawn and weed trimmer, as shown and described.

DESCRIPTION

FIG. 1 is a front, top, perspective view of a cutting attachment for a lawn and weed trimmer, showing my new design;
FIG. 2 is a top plan view thereof;
FIG. 3 is a front elevational view thereof;
FIG. 4 is a rear elevational view thereof;
FIG. 5 is a bottom plan view thereof;
FIG. 6 is a top plan view thereof, showing the blades in a retracted position;
FIG. 7 is a front elevational view thereof, showing the blades in a retracted position, with the rear being substantially similar in appearance;
FIG. 8 is a bottom plan view of a second embodiment thereof, with the top being substantially similar in appearance;
FIG. 9 is a front elevational view of the embodiment of FIG. 8, with the rear being substantially similar in appearance; and
FIG. 10 is a third embodiment thereof, the only difference between the second embodiment residing in the addition of the raised, bevelled element on the top.





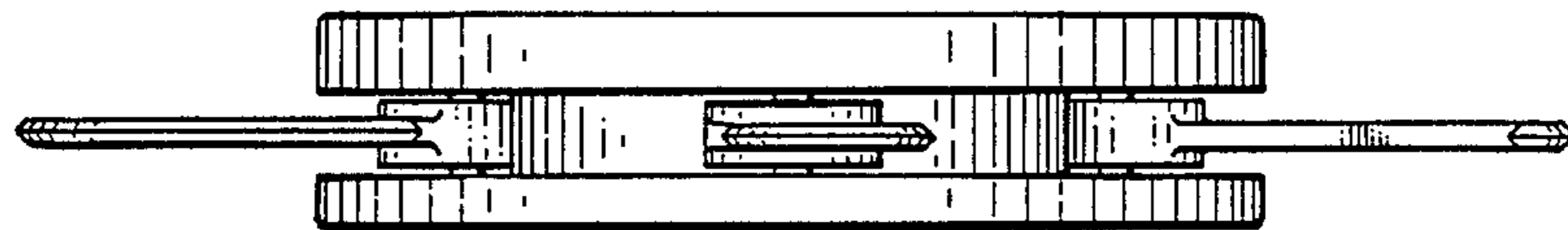


FIG. 4.

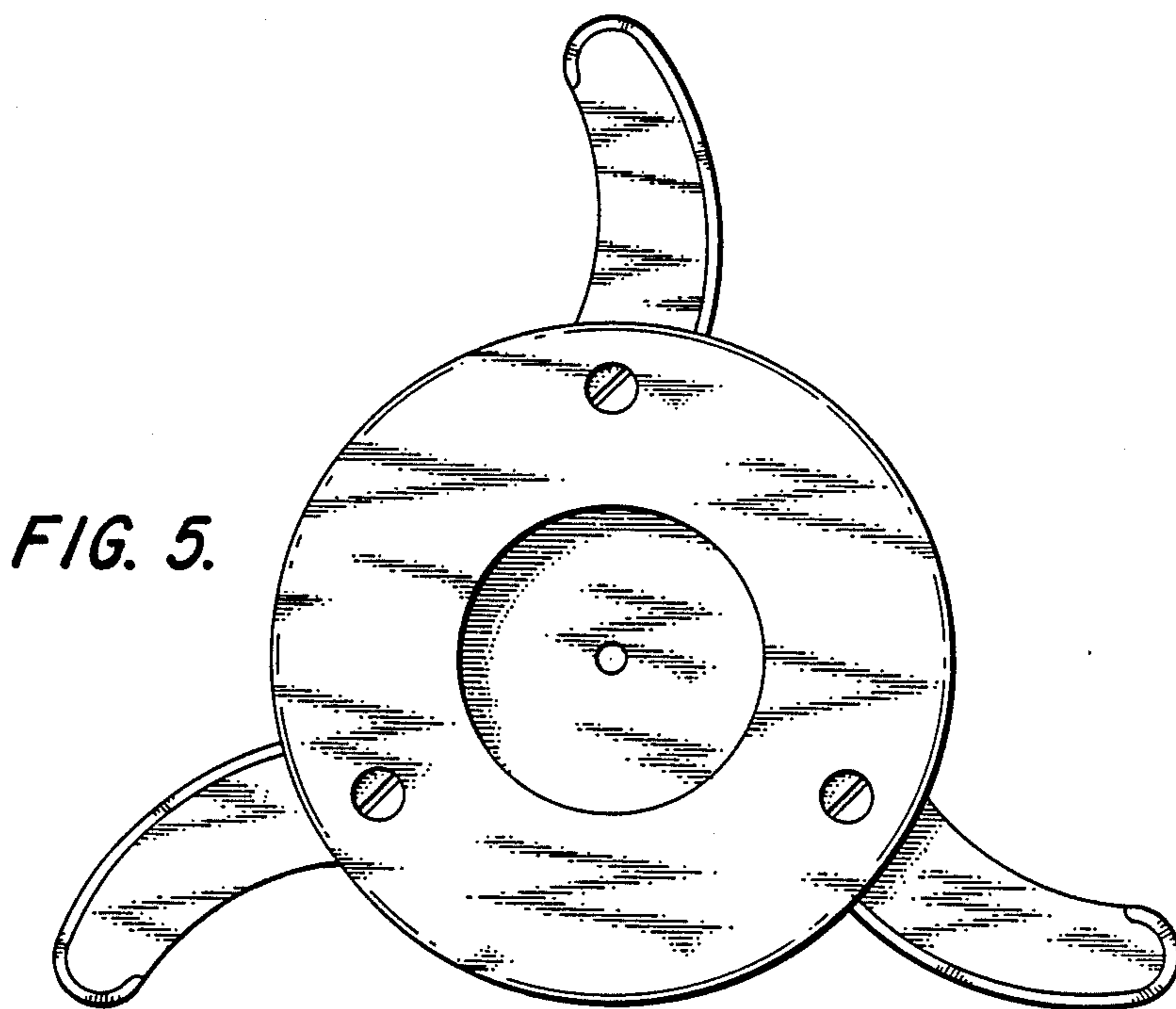


FIG. 5.

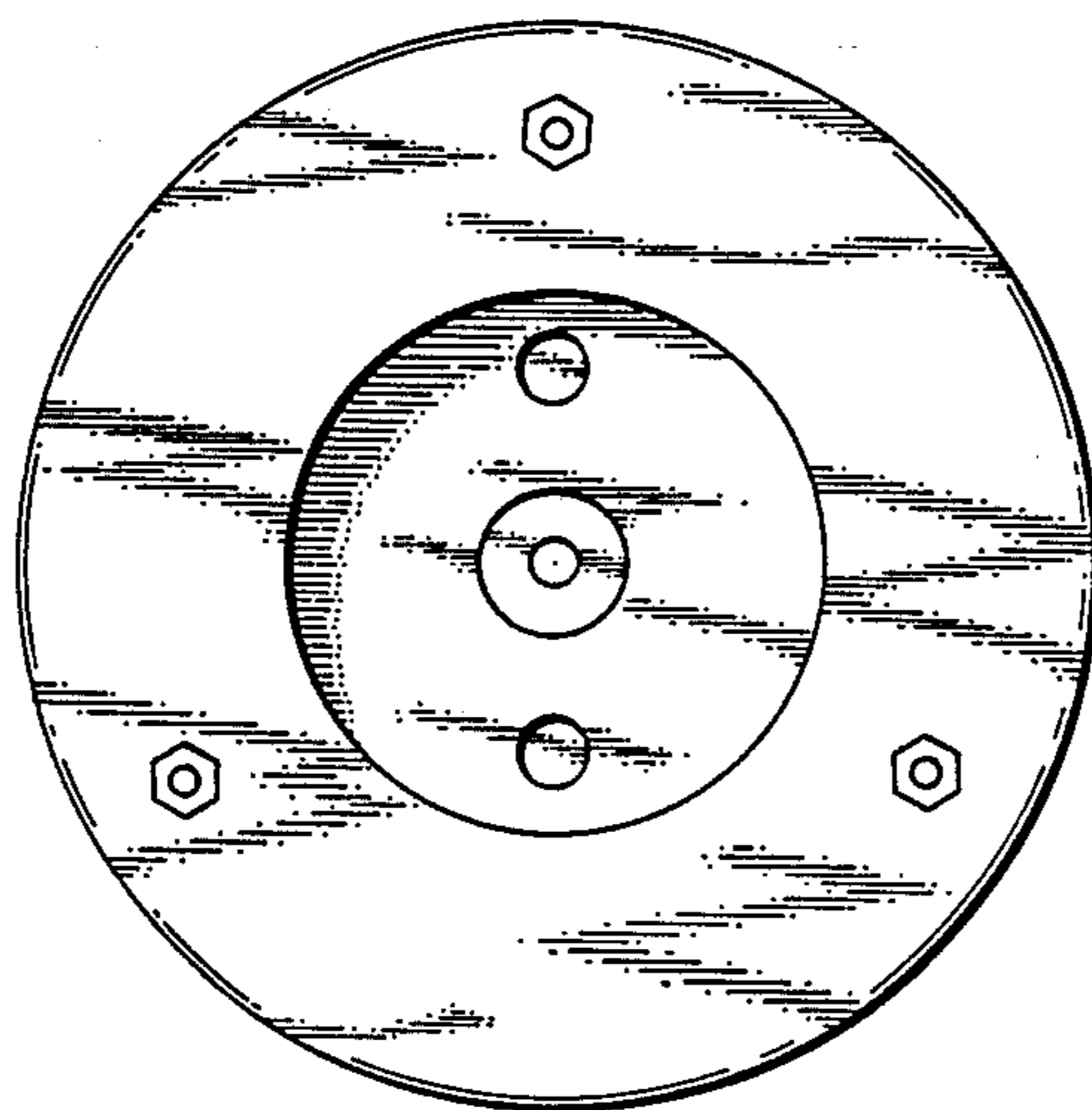


FIG. 6.

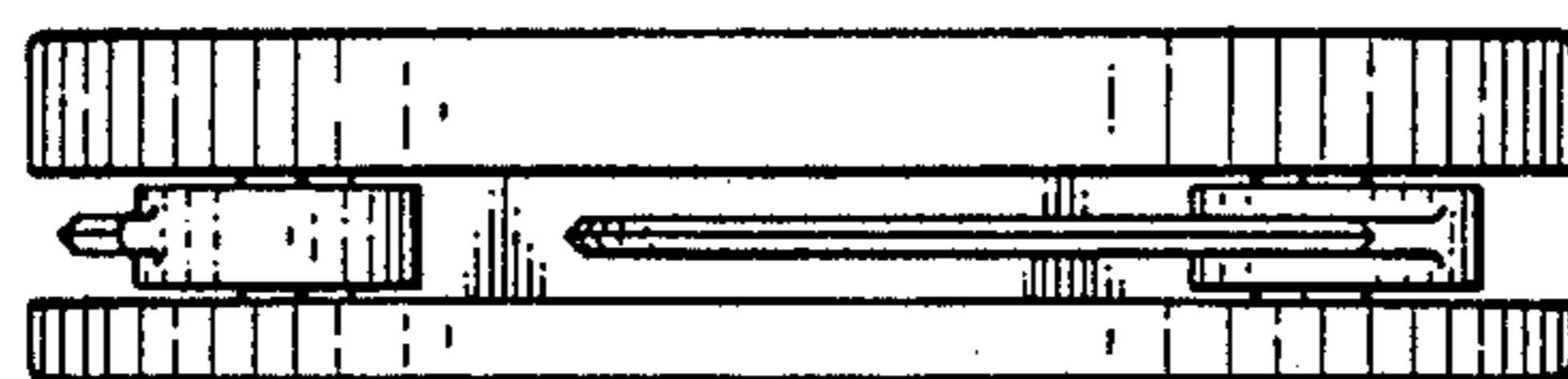


FIG. 7.

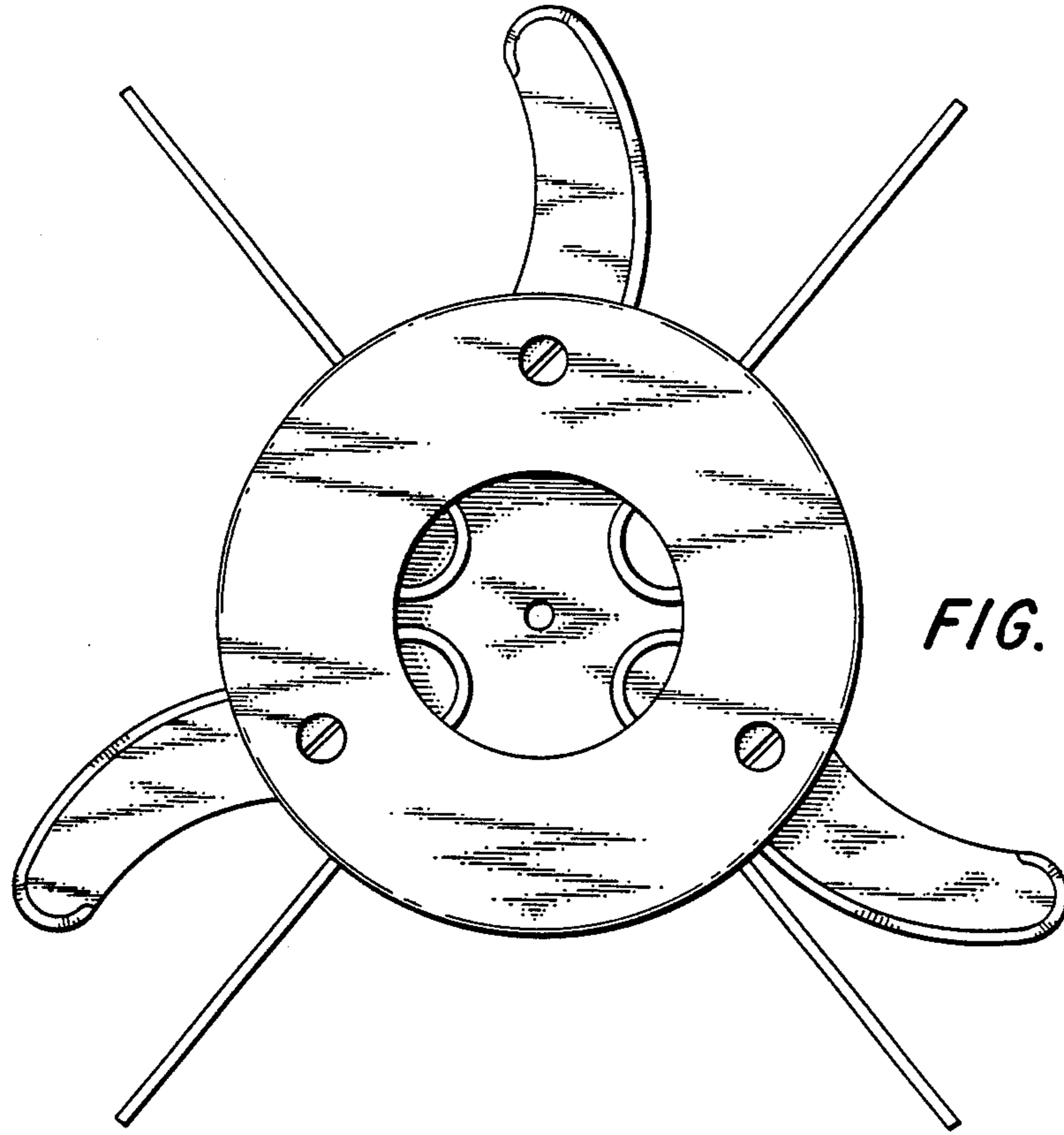


FIG. 8.

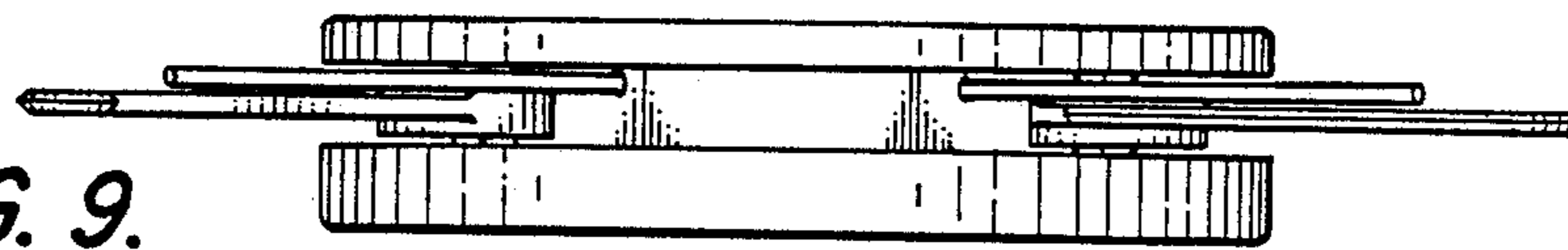


FIG. 9.

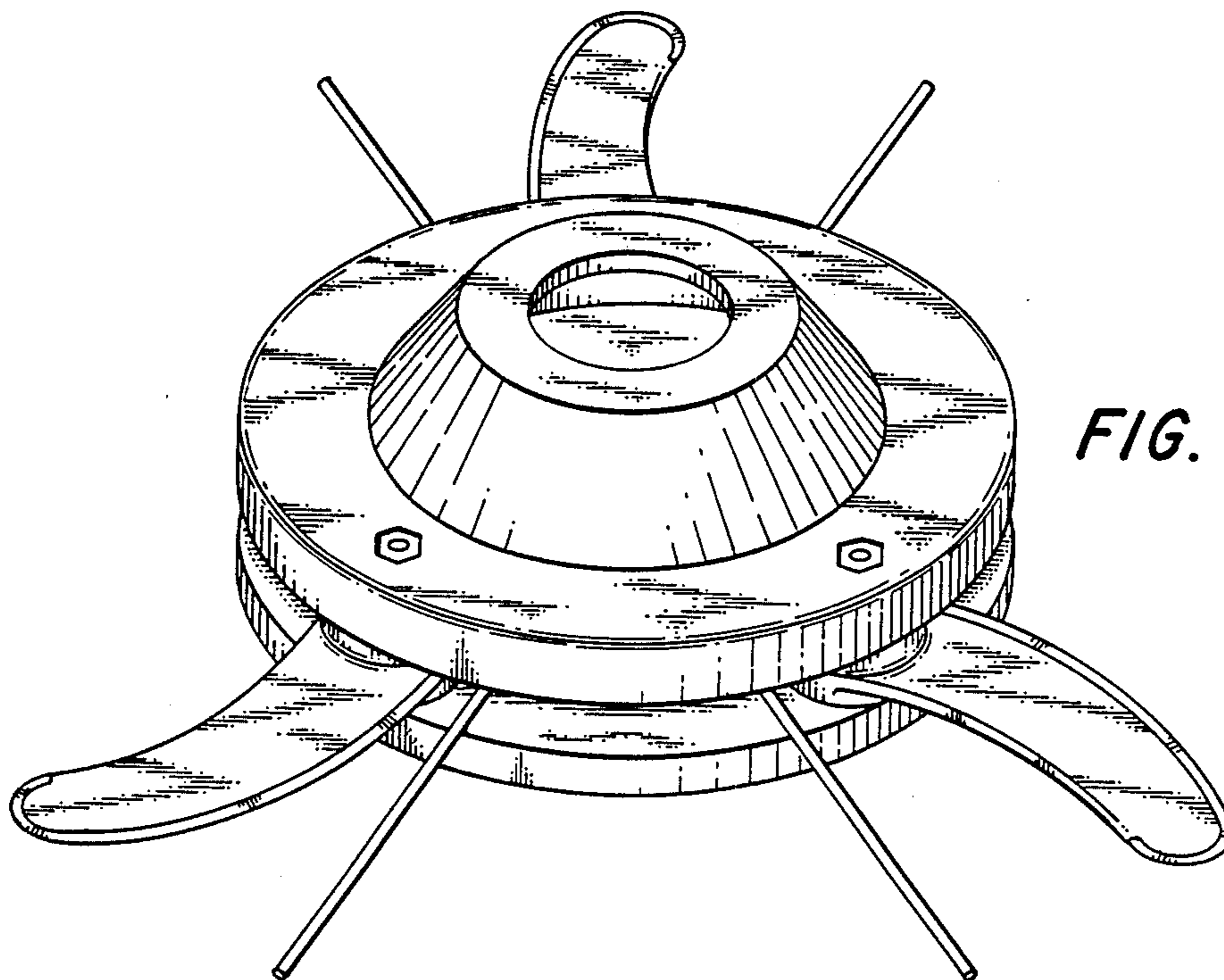


FIG. 10.