

[54] **TREE INJECTOR**  
[75] **Inventor: Jeremiah N. Hansen, Paso Robles, Calif.**  
[73] **Assignee: The Weed Works, Paso Robles, Calif.**  
[\*\*] **Term: 14 Years**  
[21] **Appl. No.: 852,925**  
[22] **Filed: Apr. 16, 1986**  
[52] **U.S. Cl. .... D8/1; D23/200**  
[58] **Field of Search ..... D23/211-213, D23/217, 223-226; D8/1; 47/57.5, 48.5; 239/152, 154, 526-528, DIG. 14, DIG. 21**

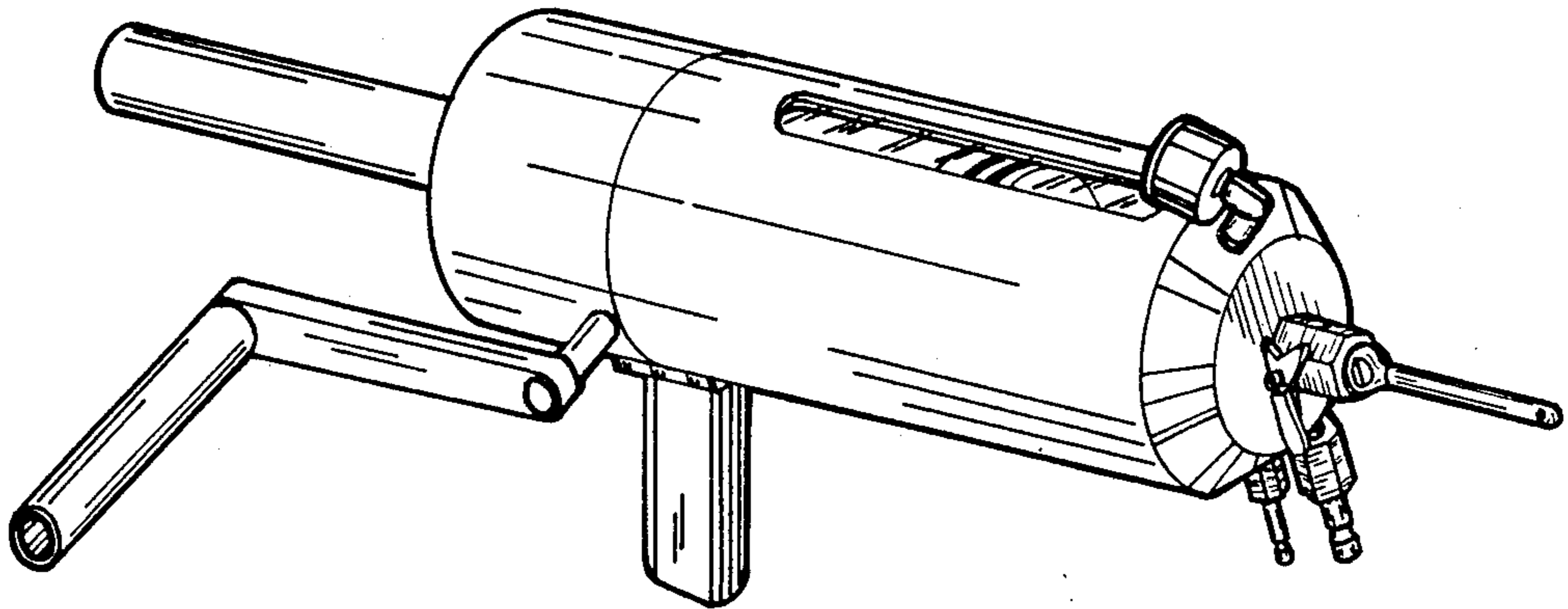
4,011,685 3/1977 Boyd et al. .... 47/57.5  
4,505,067 3/1985 Gillespie ..... 47/57.5

*Primary Examiner*—Wallace R. Burke  
*Assistant Examiner*—Brian N. Vinson  
*Attorney, Agent, or Firm*—Daniel C. McKown

[56] **References Cited**  
**U.S. PATENT DOCUMENTS**  
D. 212,165 9/1968 Newton ..... D8/1  
3,832,803 9/1974 Blake et al. .... 47/57.5

[57] **CLAIM**  
The ornamental design for a tree injector, substantially as shown.

**DESCRIPTION**  
FIG. 1 is a front top and left side perspective view of a tree injector showing my new design;  
FIG. 2 is a left side elevational view thereof;  
FIG. 3 is a right side elevational view thereof;  
FIG. 4 is a front elevational view thereof;  
FIG. 5 is a rear elevational view thereof;  
FIG. 6 is a top view thereof; and,  
FIG. 7 is a bottom plan view thereof.



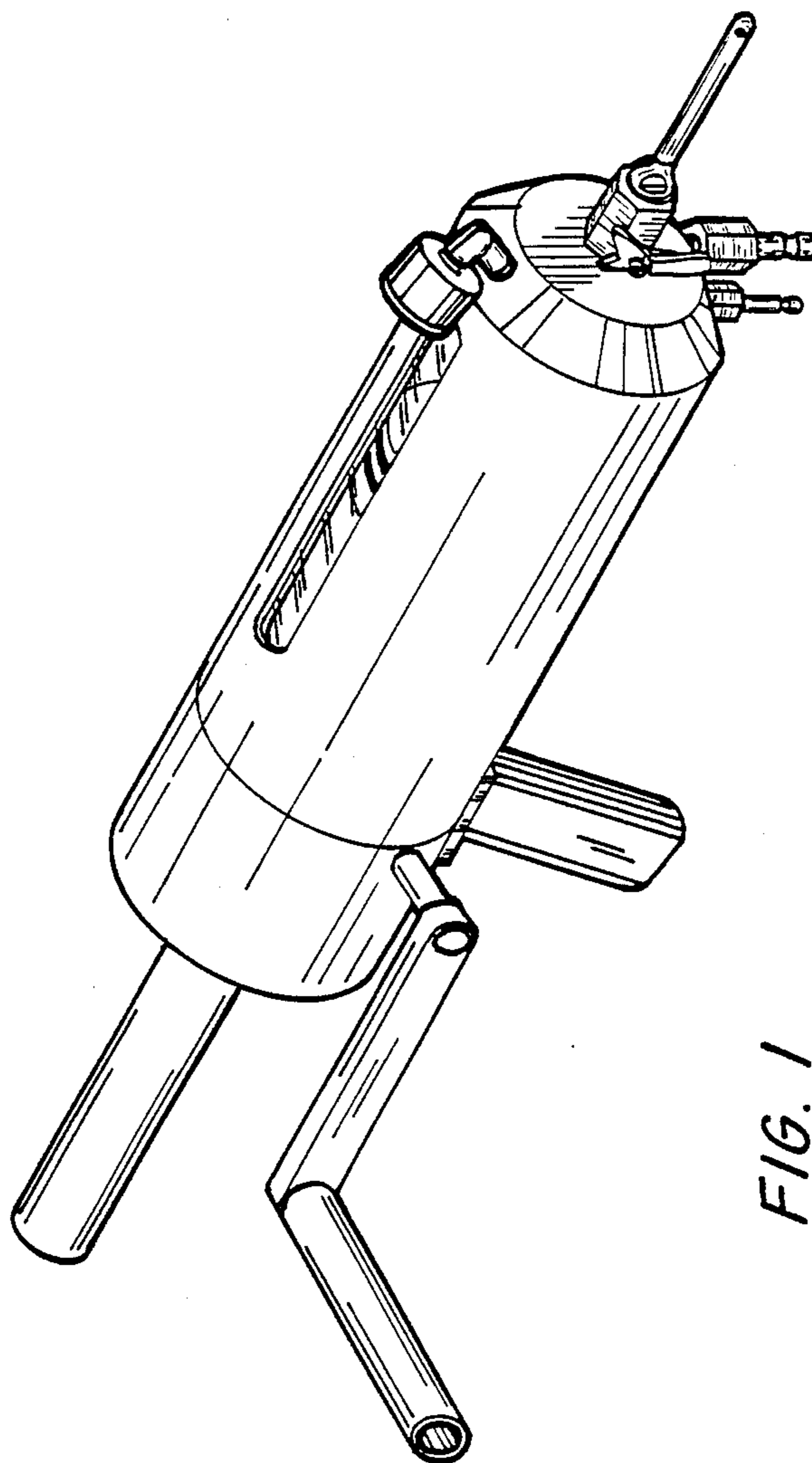


FIG. 1

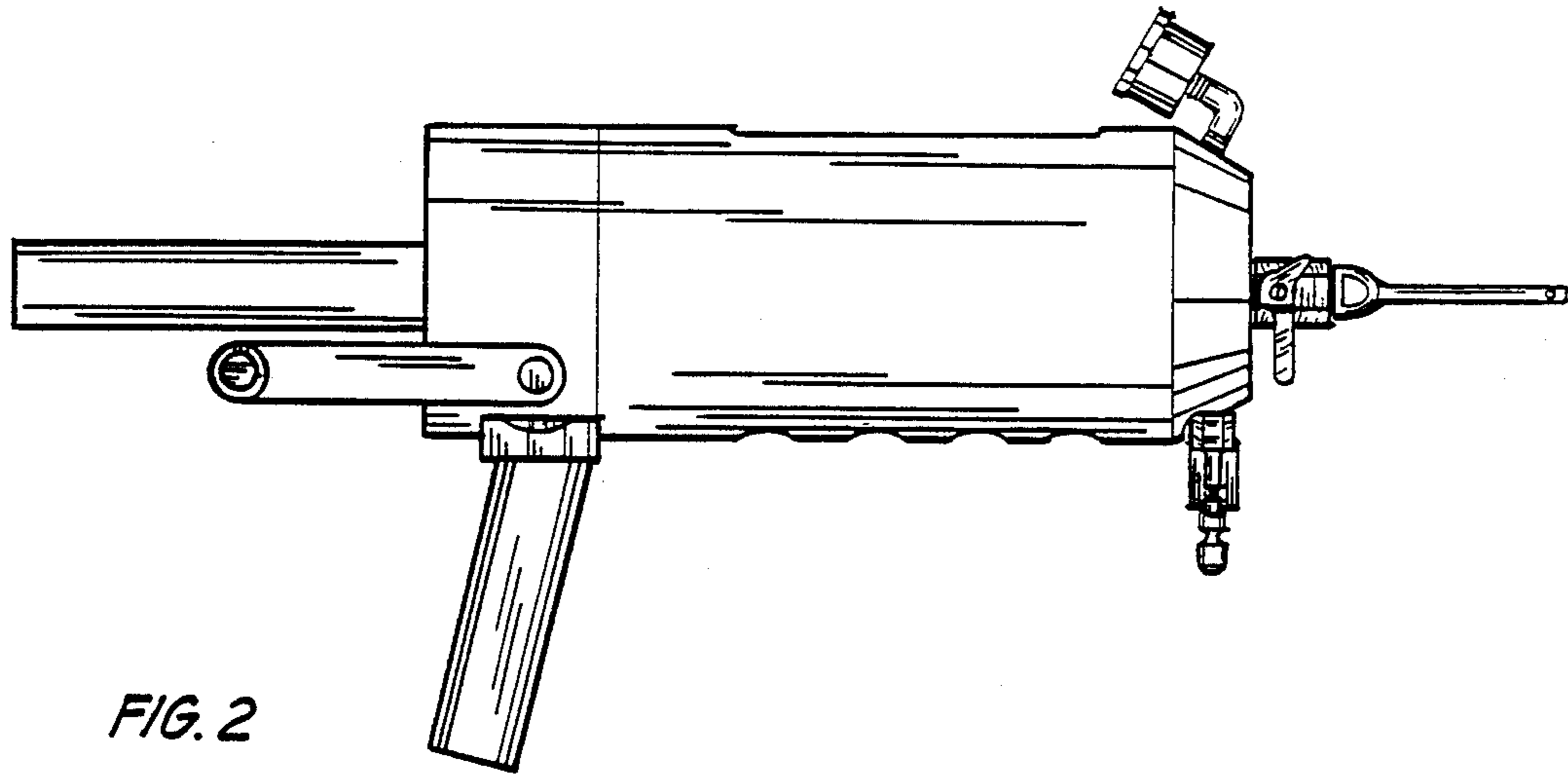


FIG. 2

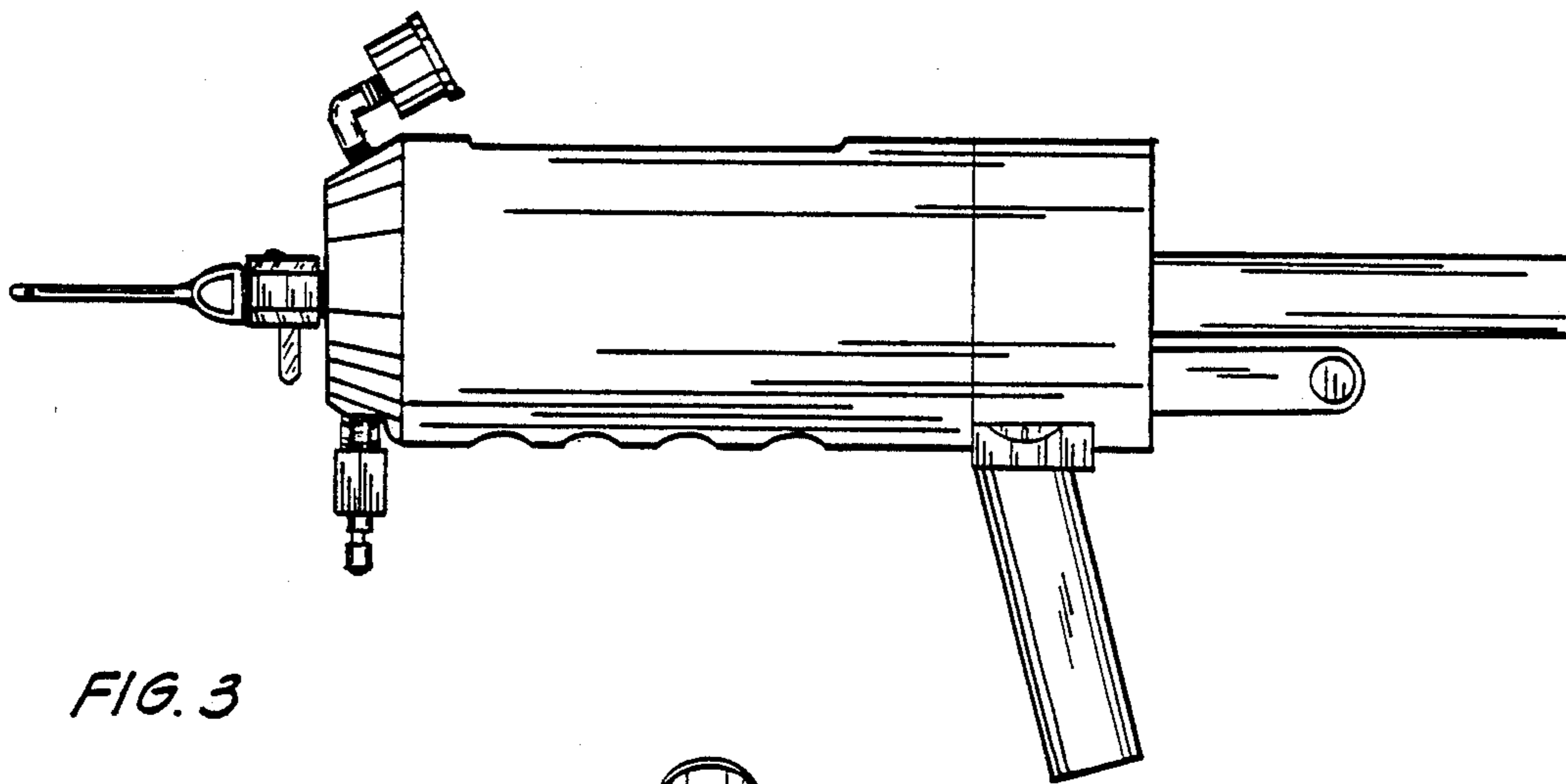


FIG. 3

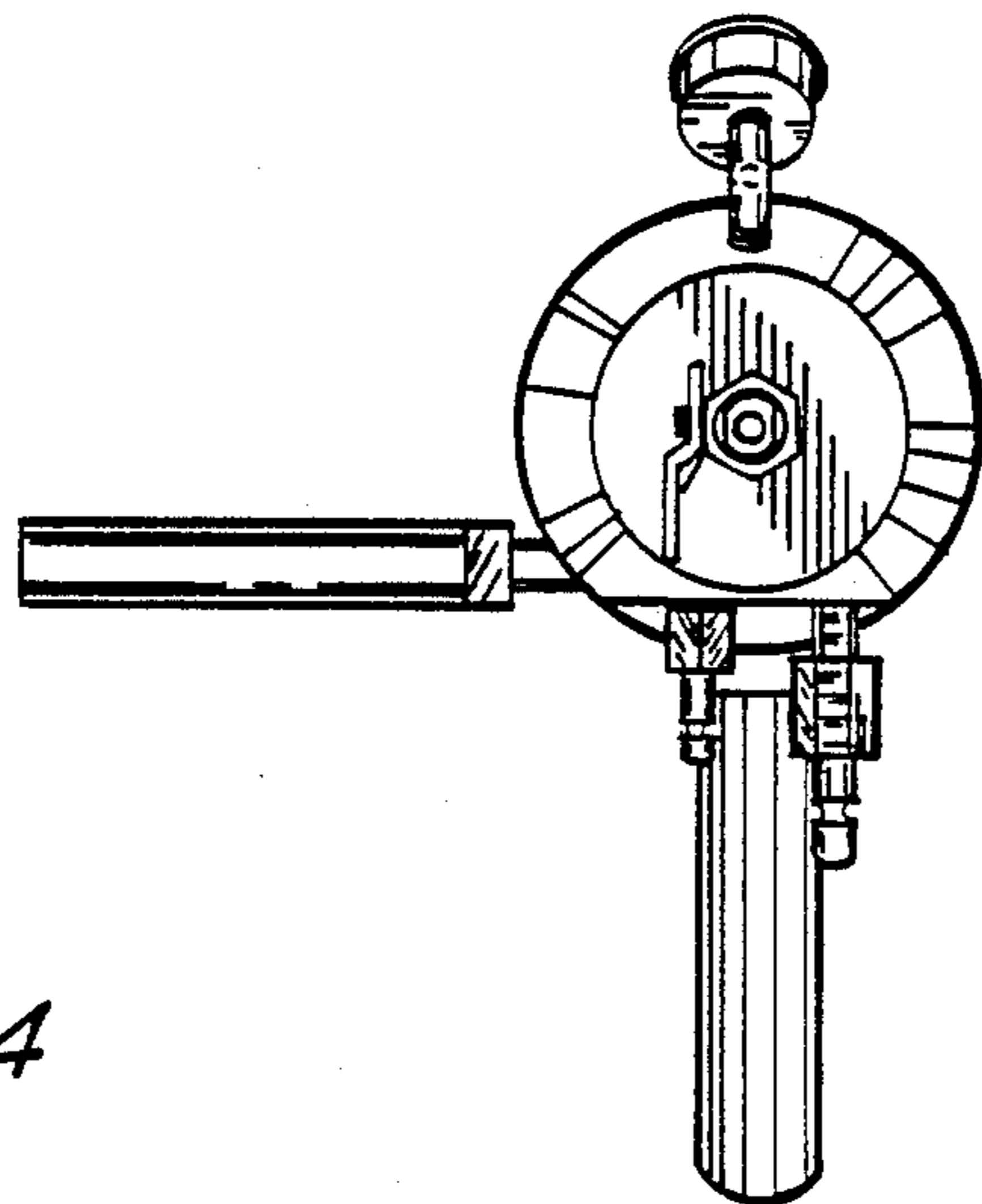


FIG. 4

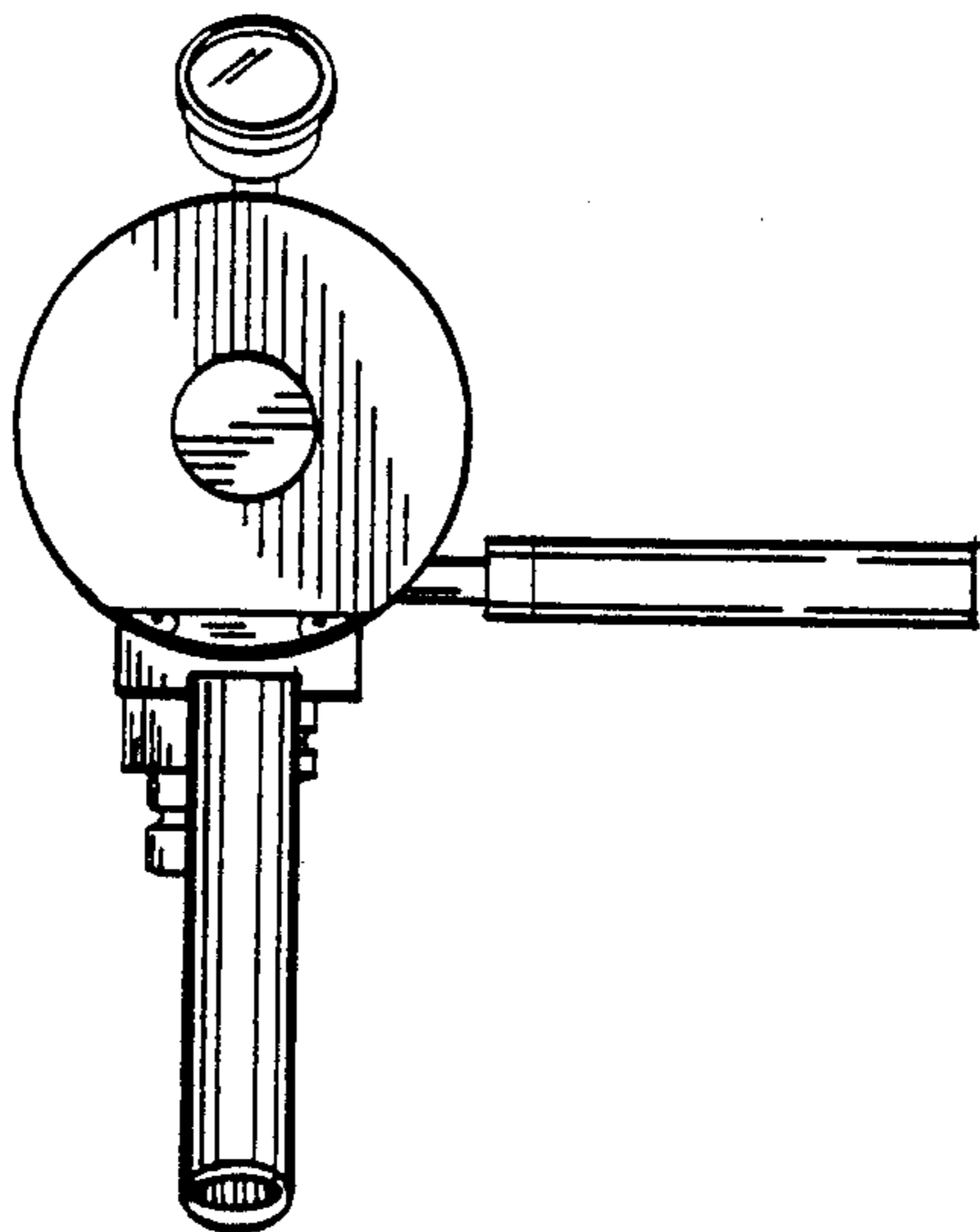


FIG. 5

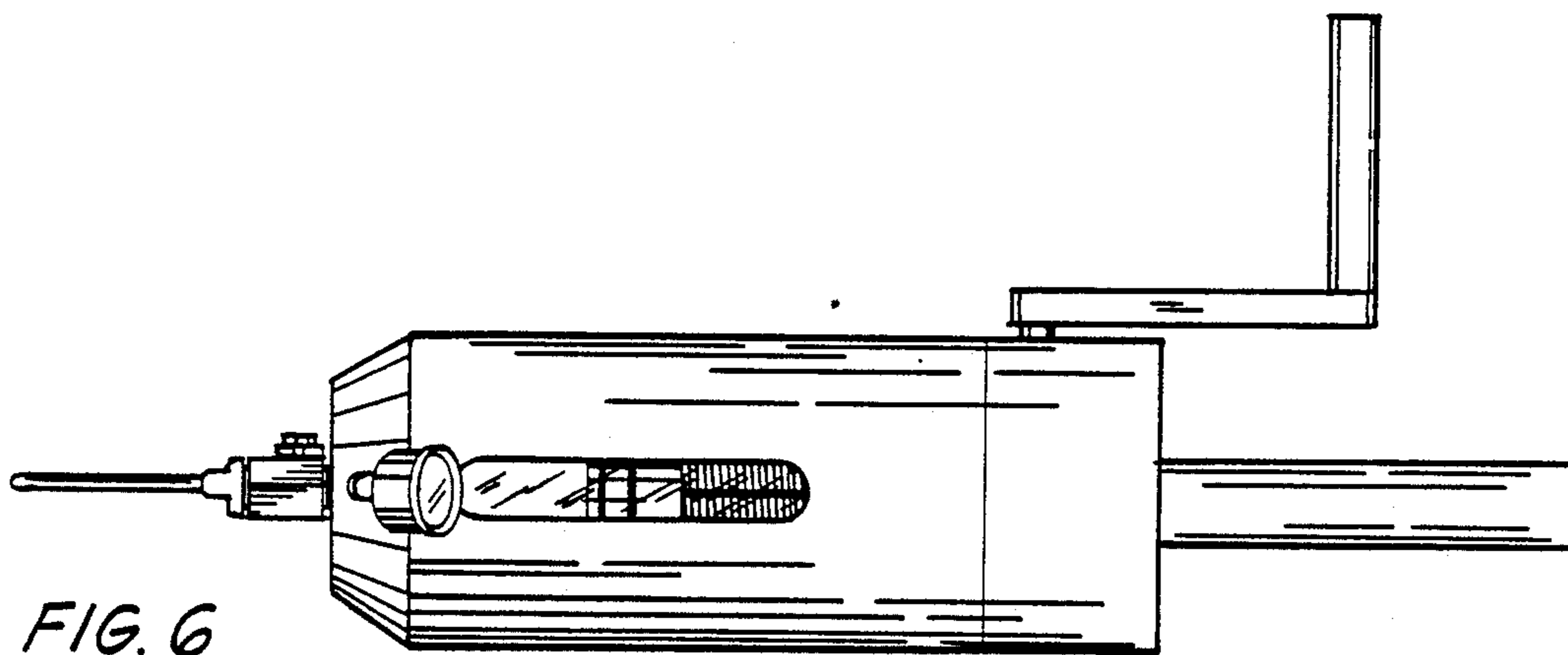


FIG. 6

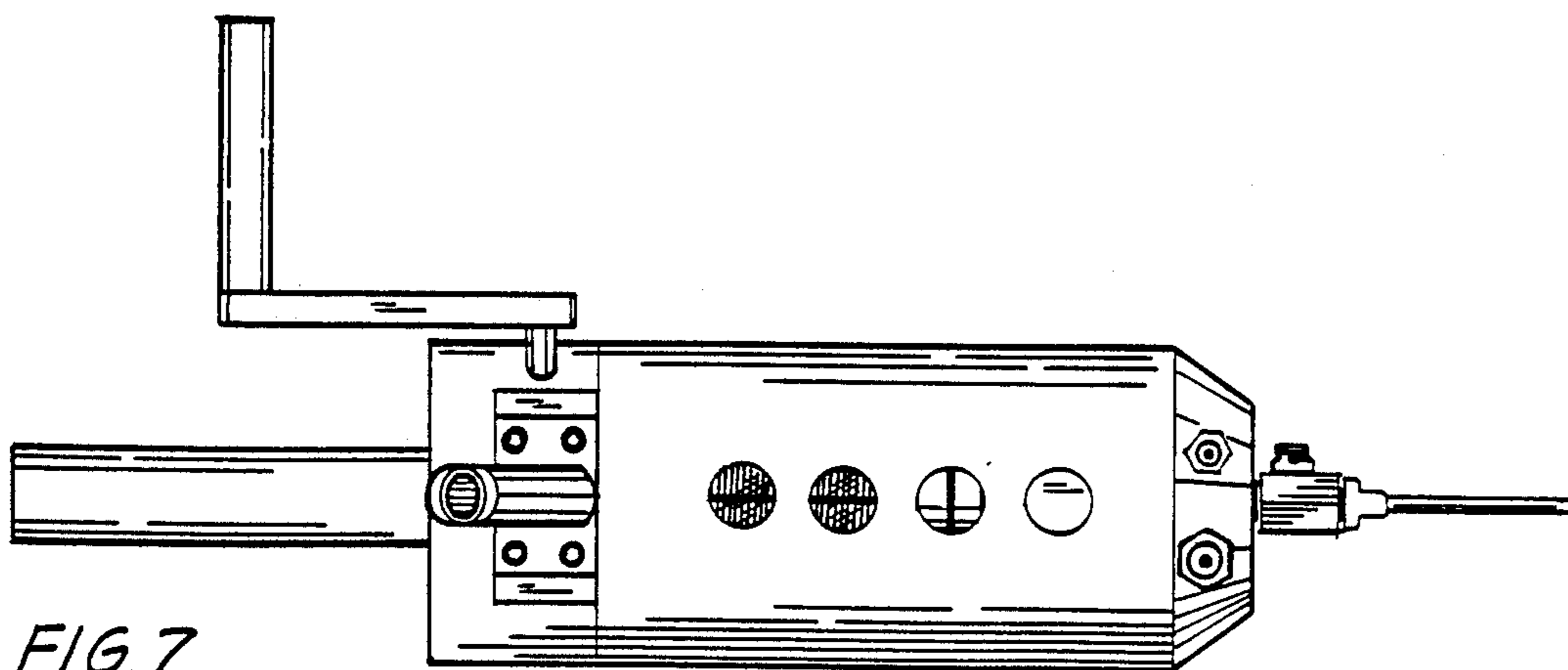


FIG. 7