

[54] **COMBINATION CUP, CAN 'N COIN
HOLDER**

[76] **Inventor: Stanley W. Pearson, 1601 Cambridge
Dr., Kinston, N.C. 28501**

[**] **Term: 14 Years**

[21] **Appl. No.: 818,958**

[22] **Filed: Jan. 15, 1986**

Related U.S. Application Data

[63] Continuation-in-part of Ser. No. 499,287, May 31,
1983, abandoned.

[52] **U.S. Cl. D7/70**

[58] **Field of Search D7/70, 71; D3/40;
D99/34, 43, 28; 232/1 D, 4 R, 1 E; 224/273,
901, 42, 45 R; 220/85 H; 248/311.2; 211/88**

[56] **References Cited**

U.S. PATENT DOCUMENTS

D. 54,307 12/1919 Cuporak D7/79
D. 177,913 6/1956 Jankura D99/34
D. 228,304 9/1973 Lerew et al. D7/70

Primary Examiner—Bernard Ansher

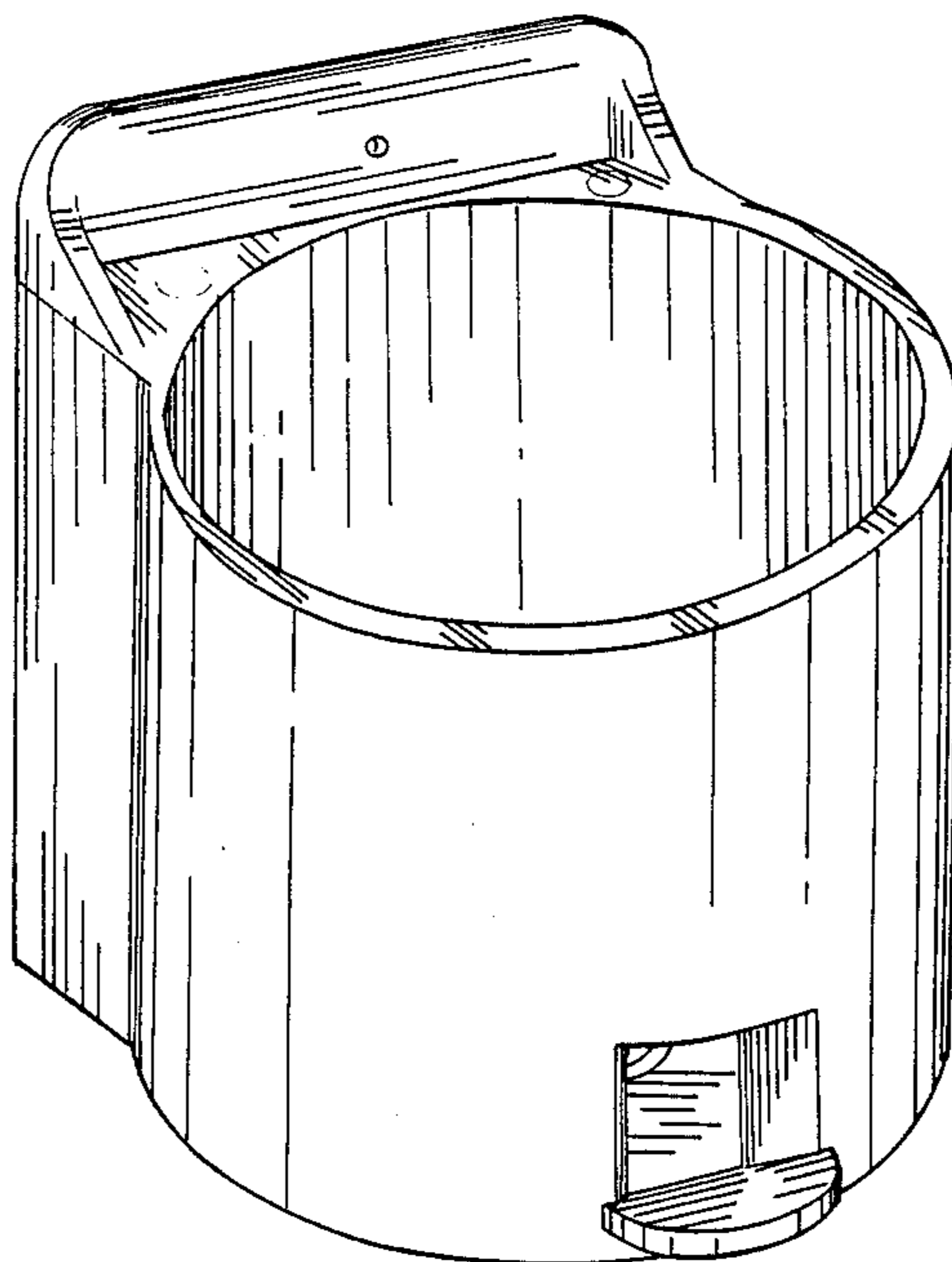
Assistant Examiner—Terry Pfeffer

[57] **CLAIM**

The ornamental design for a combination cup, can 'n
coin holder, as shown and described.

DESCRIPTION

FIG. 1 is a front elevational view of a combination cup,
can 'n coin holder, showing my new design;
FIG. 2 is a side elevational view thereof;
FIG. 3 is a rear elevational view thereof;
FIG. 4 is a top view thereof; and
FIG. 5 is an isometric view thereof.



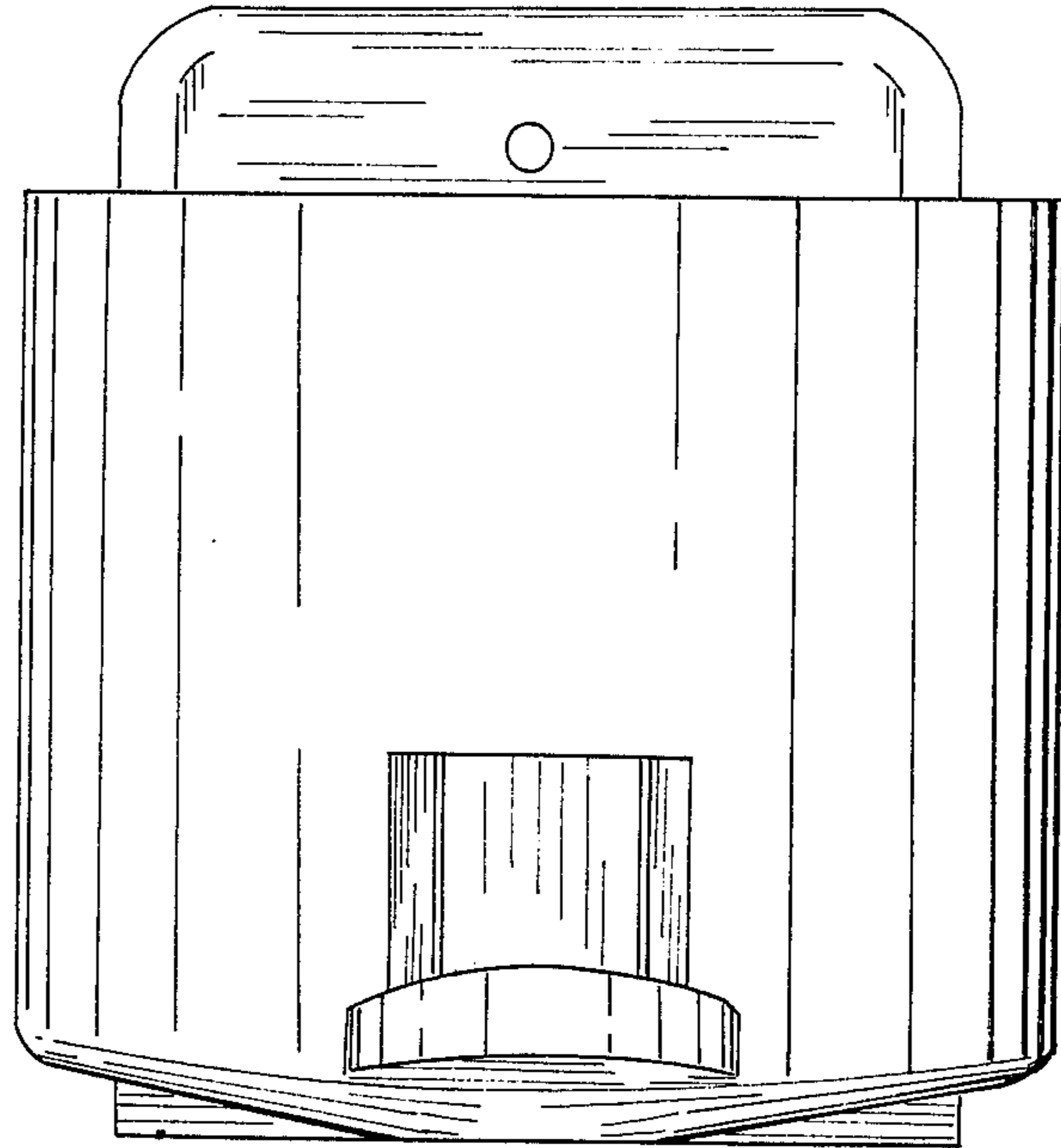


FIG. 1

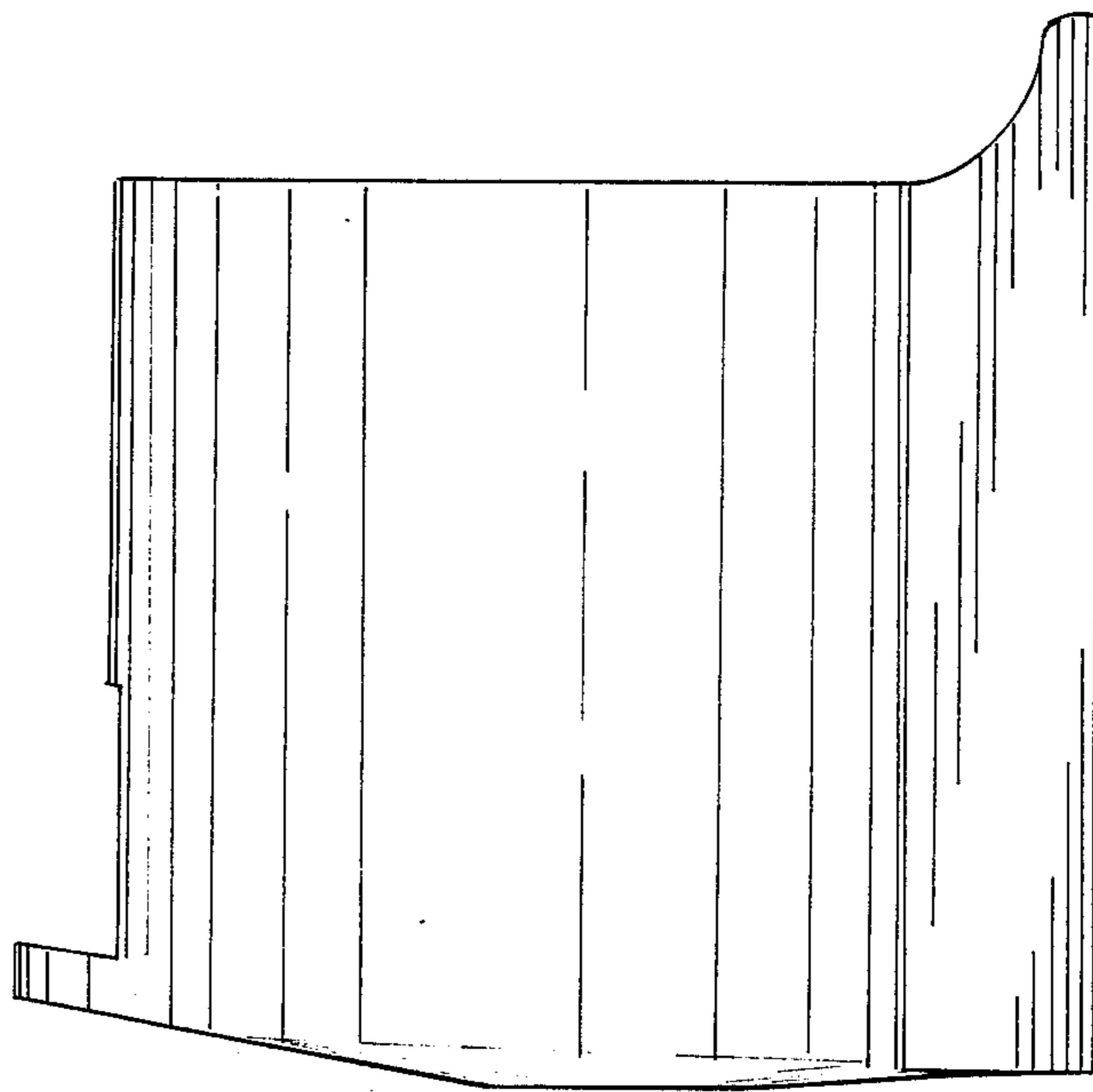


FIG. 2

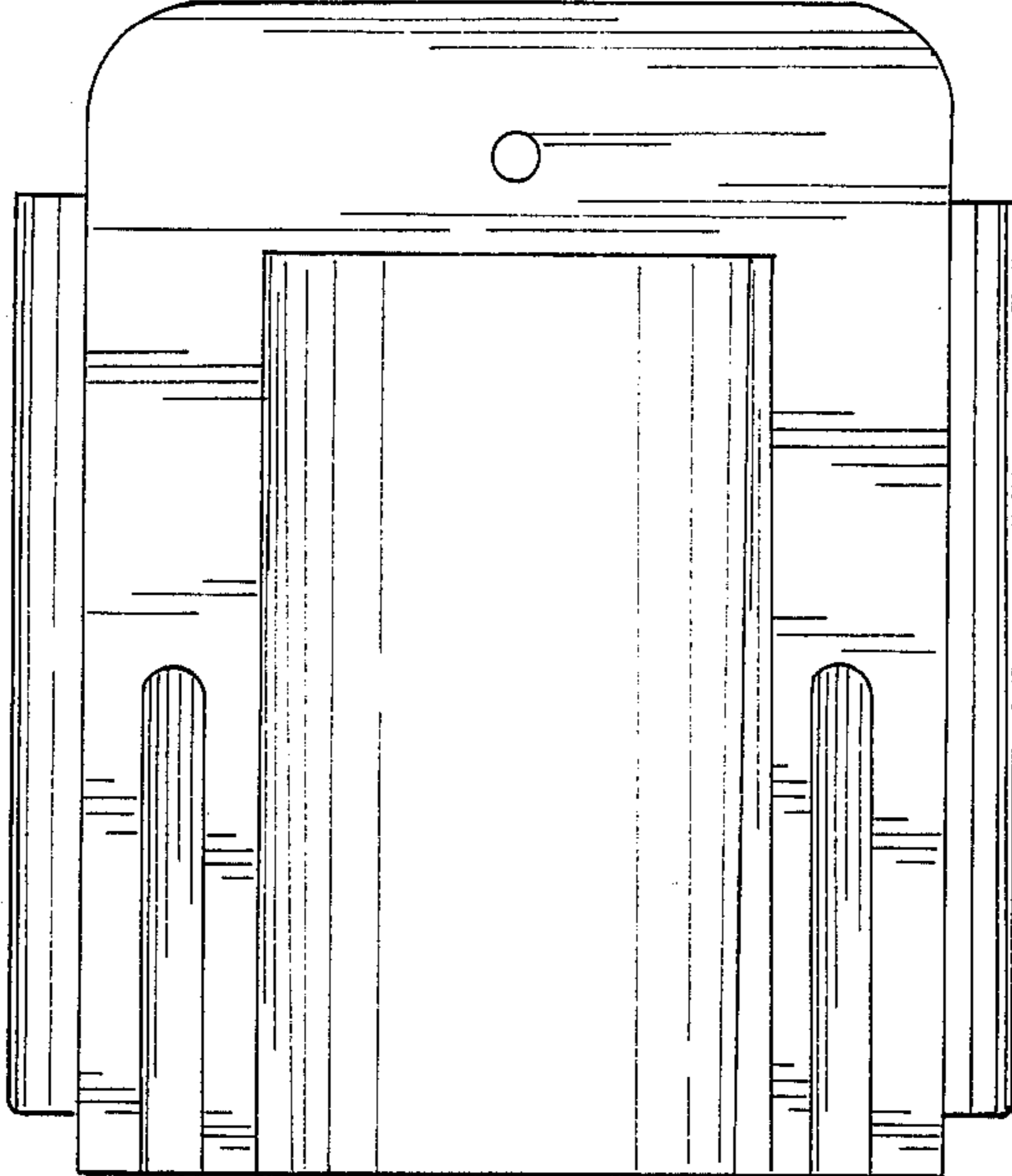


FIG. 3

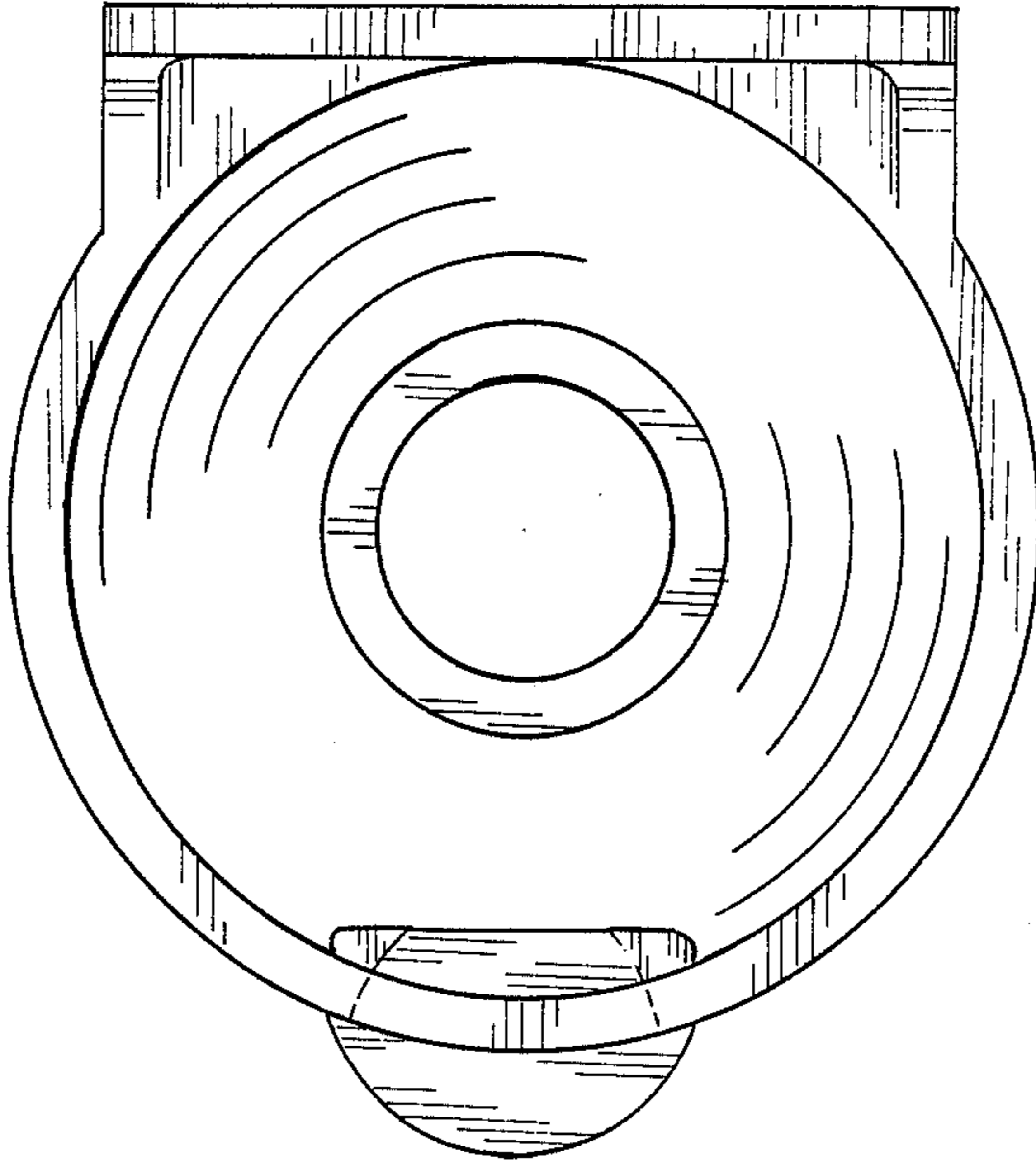


FIG. 4

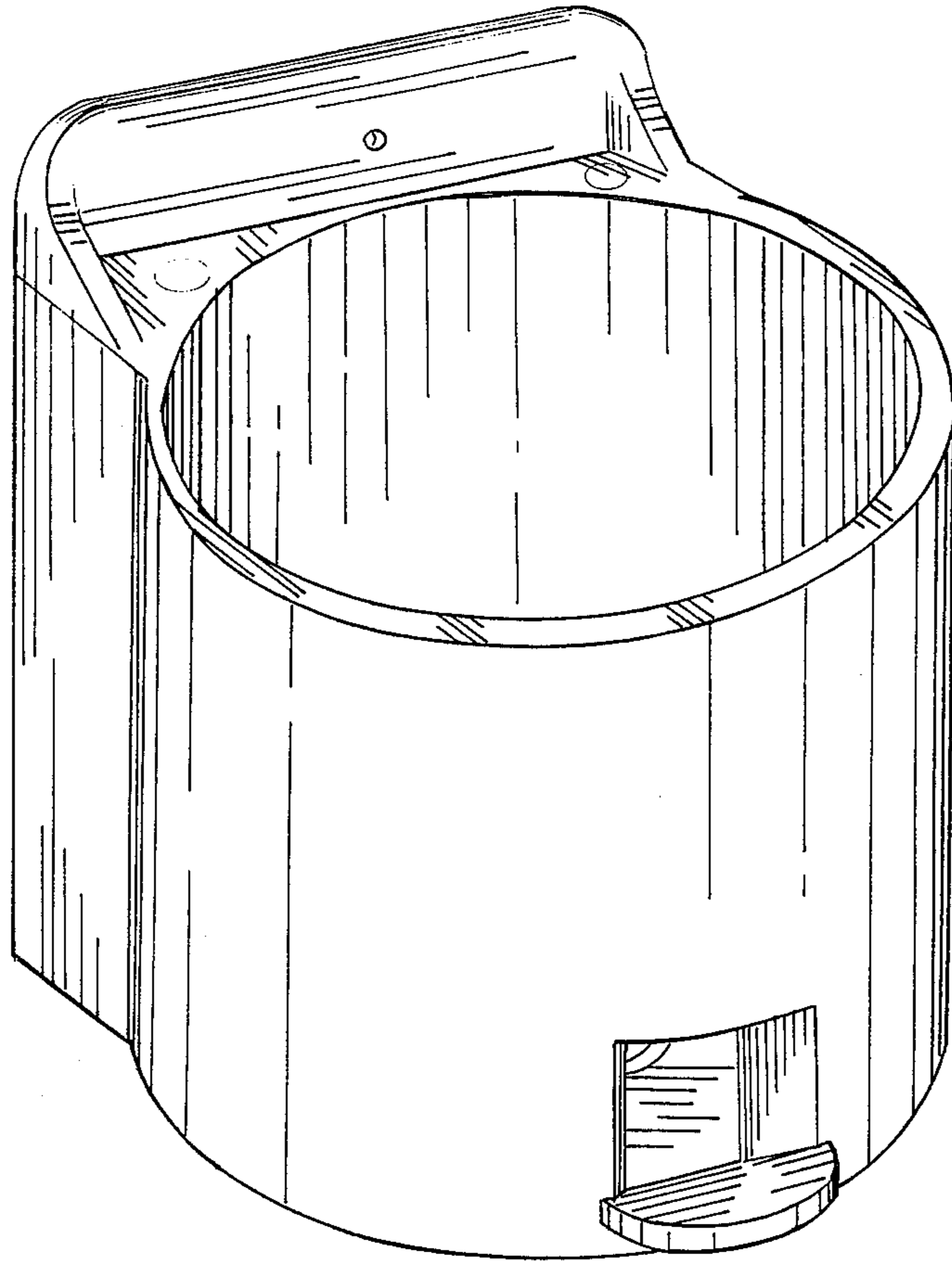


FIG. 5