

United States Patent [19]

Klodt

[11] Patent Number: **Des. 299,478**

[45] Date of Patent: **** Jan. 17, 1989**

[54] **VERTICAL MESSAGE FILE OR THE LIKE**

[75] Inventor: **Gerald J. Klodt, Madison, Wis.**

[73] Assignee: **W. T. Rogers Company, Madison, Wis.**

[**] Term: **14 Years**

[21] Appl. No.: **782,375**

[22] Filed: **Oct. 1, 1985**

[52] U.S. Cl. **D19/90; D19/75; D6/407**

[58] Field of Search **D14/65, 75-79, D14/86-88, 90, 92, 95, 99, 100, 85; D6/407, 475; D3/35; D9/347; 211/11, 40, 42, 45, 50, 10; 206/425**

[56] **References Cited**

U.S. PATENT DOCUMENTS

D. 236,675 9/1975 Darnell D6/407

D. 253,444 11/1979 Mathus et al. D6/407
D. 259,456 6/1981 Zeischegg et al. D6/475
D. 268,119 3/1983 Evenson D19/77
4,573,588 3/1986 Cohen 211/40 X

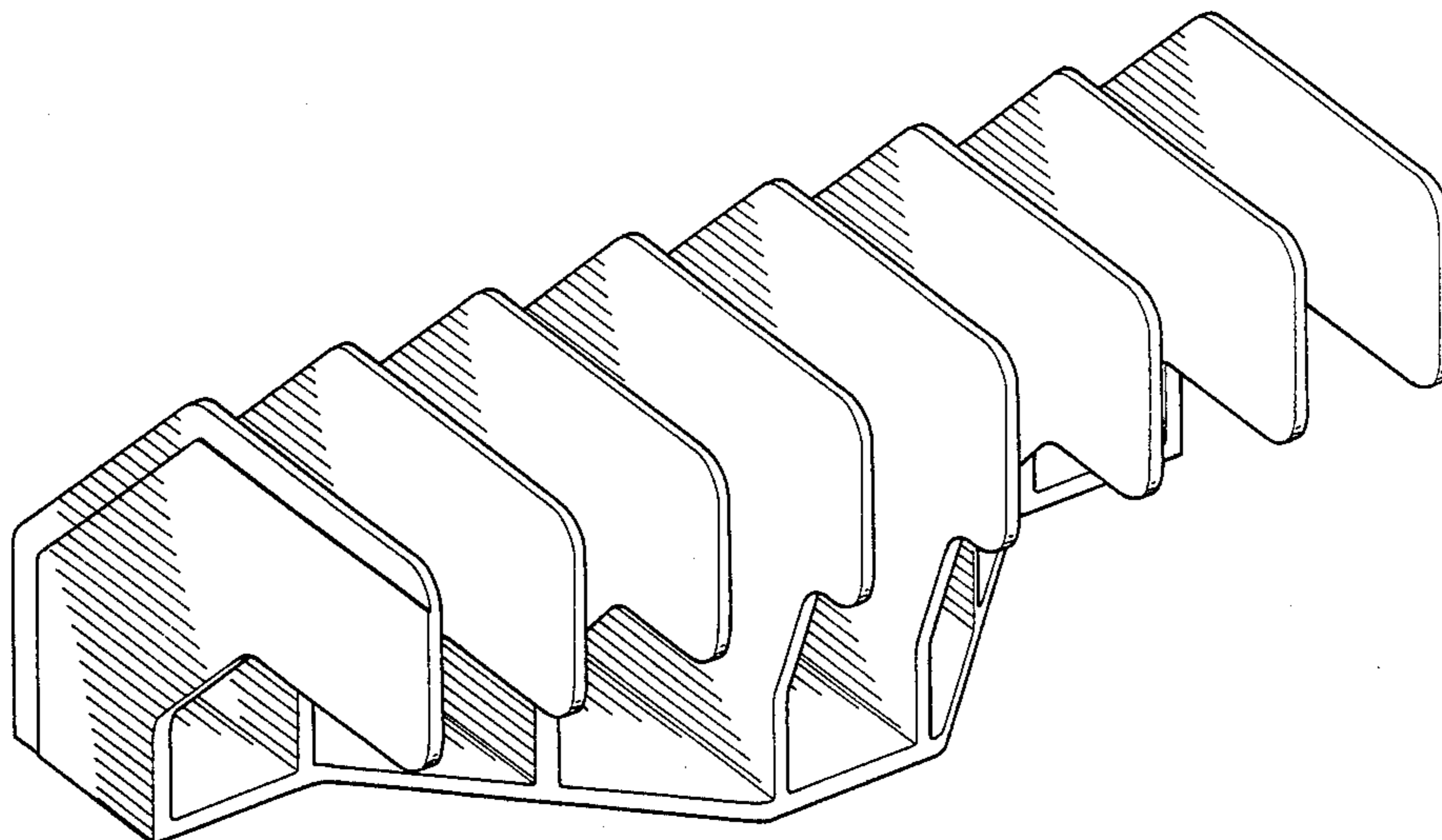
Primary Examiner—Bernard Ansher
Assistant Examiner—Theodore M. Shooman
Attorney, Agent, or Firm—Lathrop & Clark

[57] **CLAIM**

The ornamental design for a vertical message file or the like, as shown and described.

DESCRIPTION

FIG. 1 is a top, front and left side perspective view of a vertical message file or the like showing my new design; FIG. 2 is a front elevational view thereof; FIG. 3 is a right side elevational view thereof, the left side being a mirror image; FIG. 4 is a top plan view thereof; and, FIG. 5 is a rear elevational view thereof; and, FIG. 6 is a bottom plan view thereof.



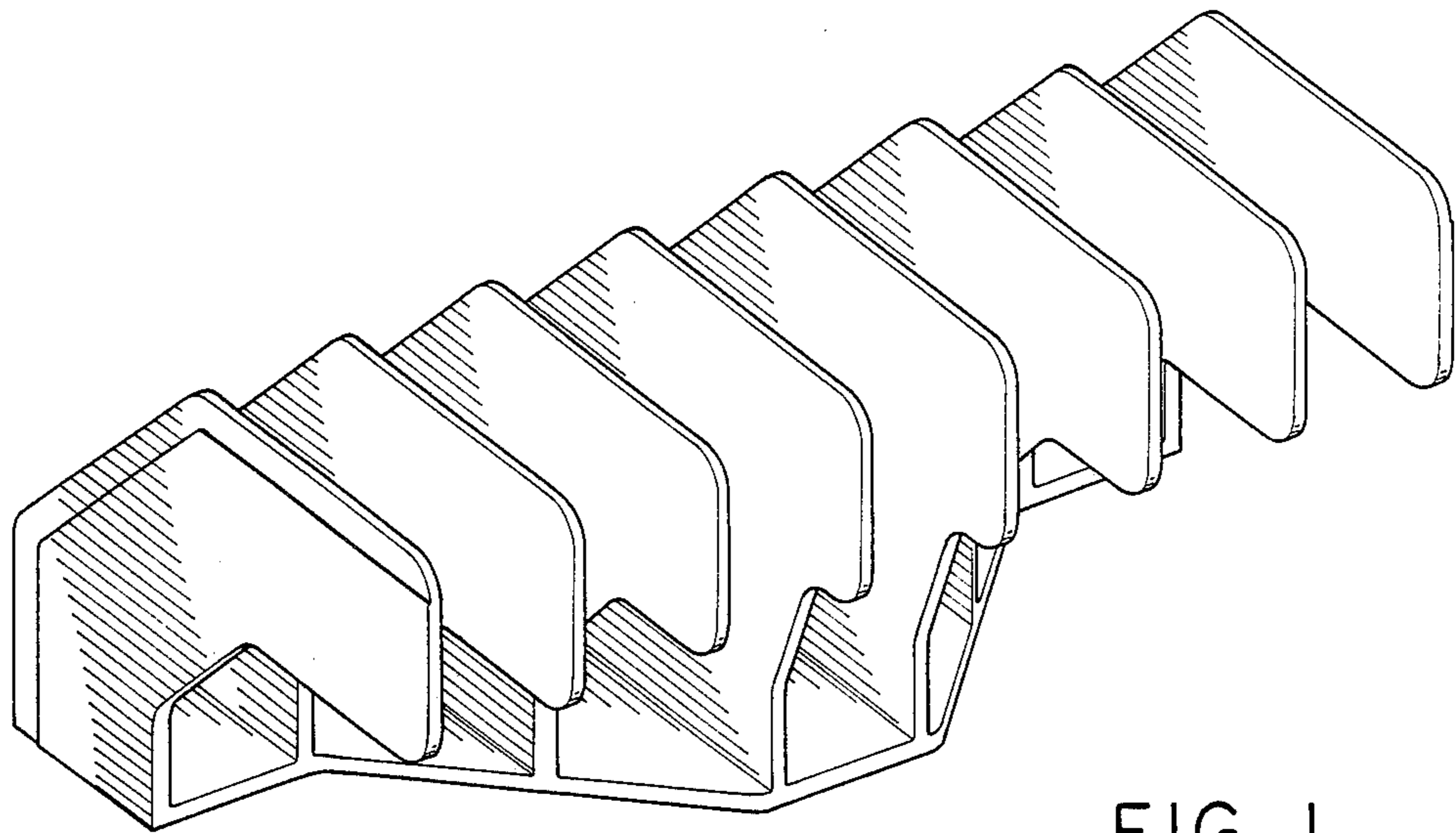


FIG. 1

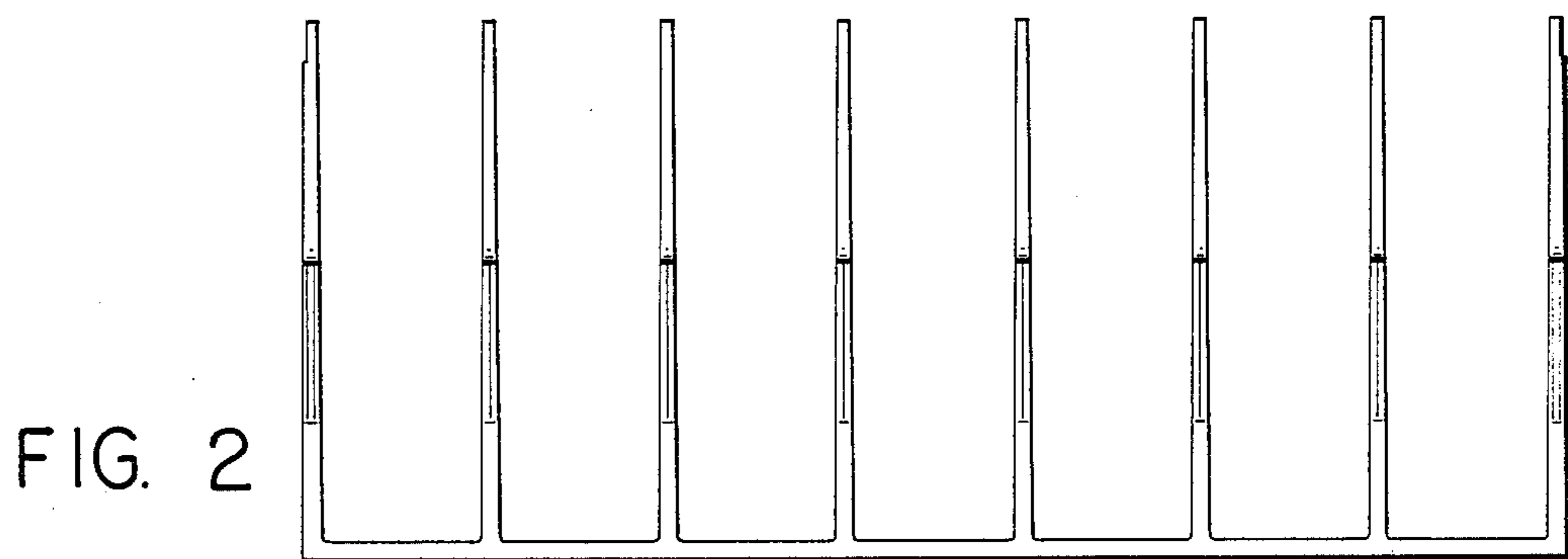


FIG. 2

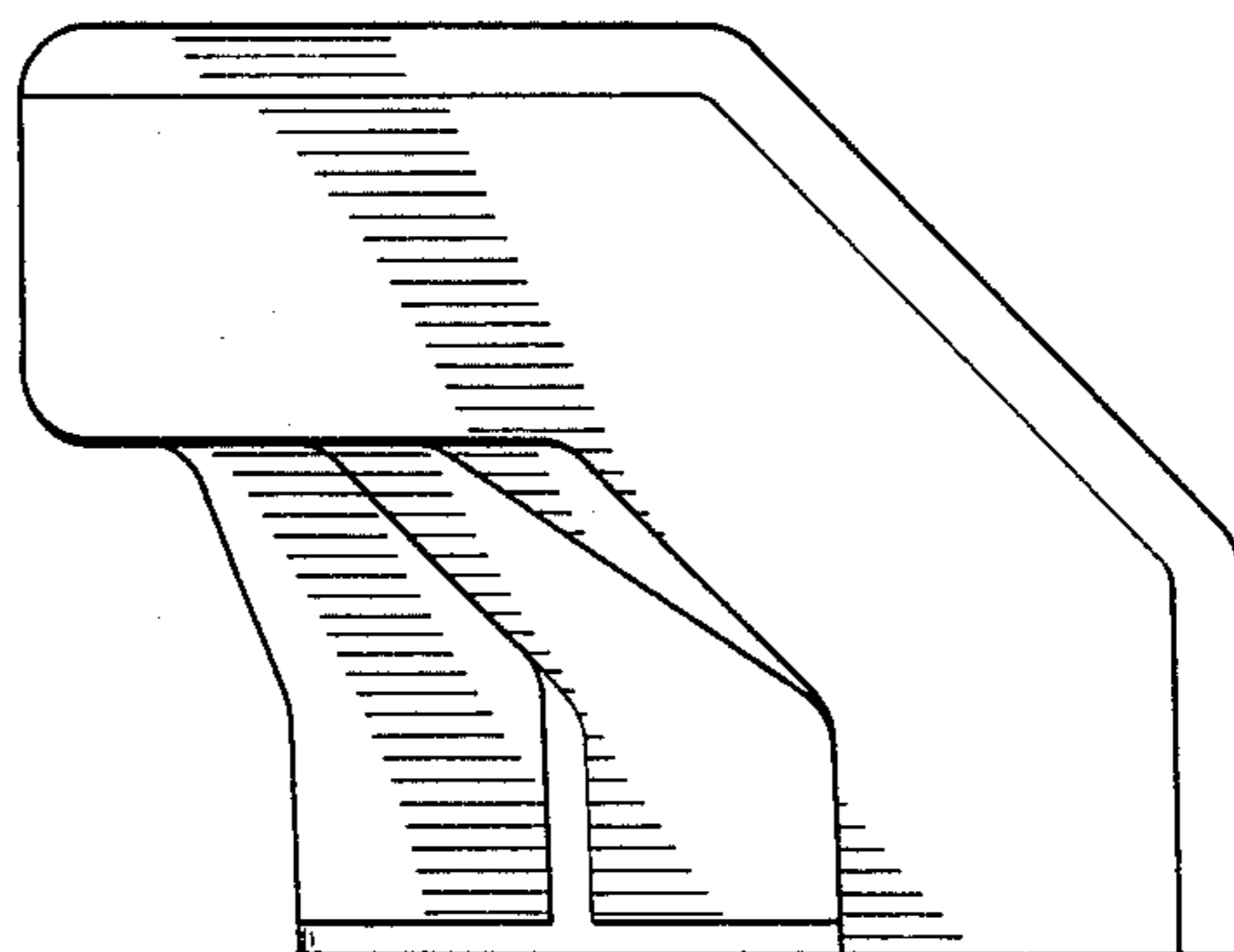


FIG. 3

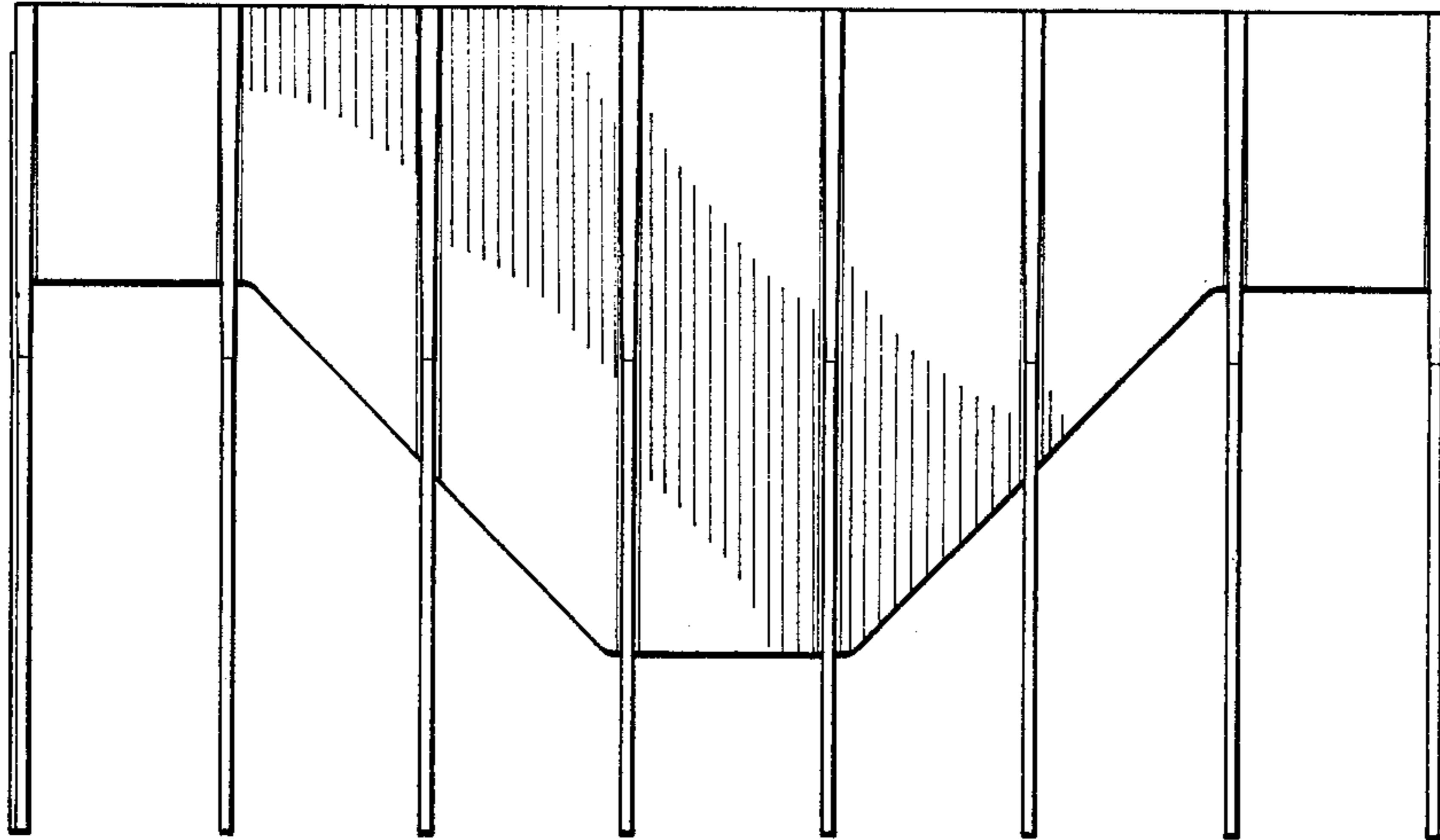


FIG. 4

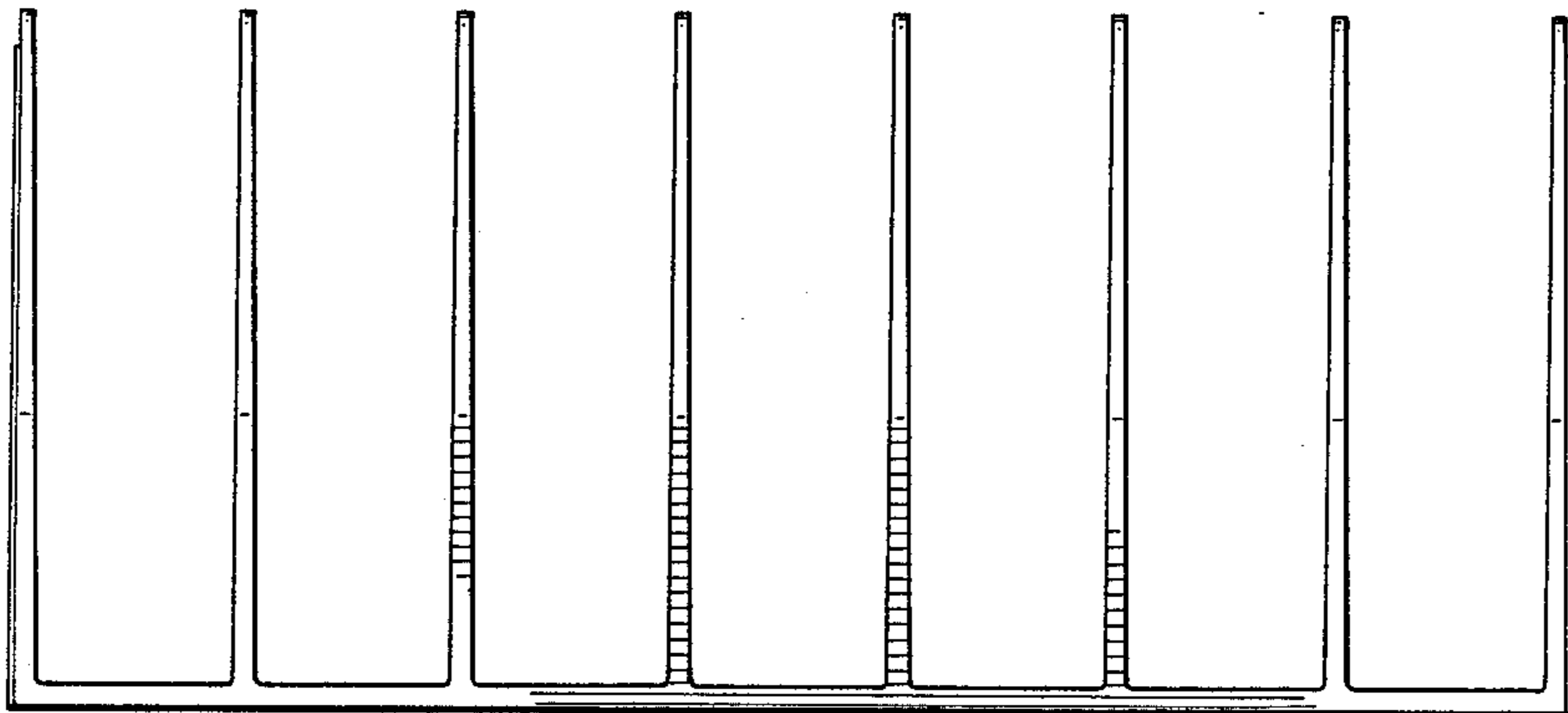


FIG. 5

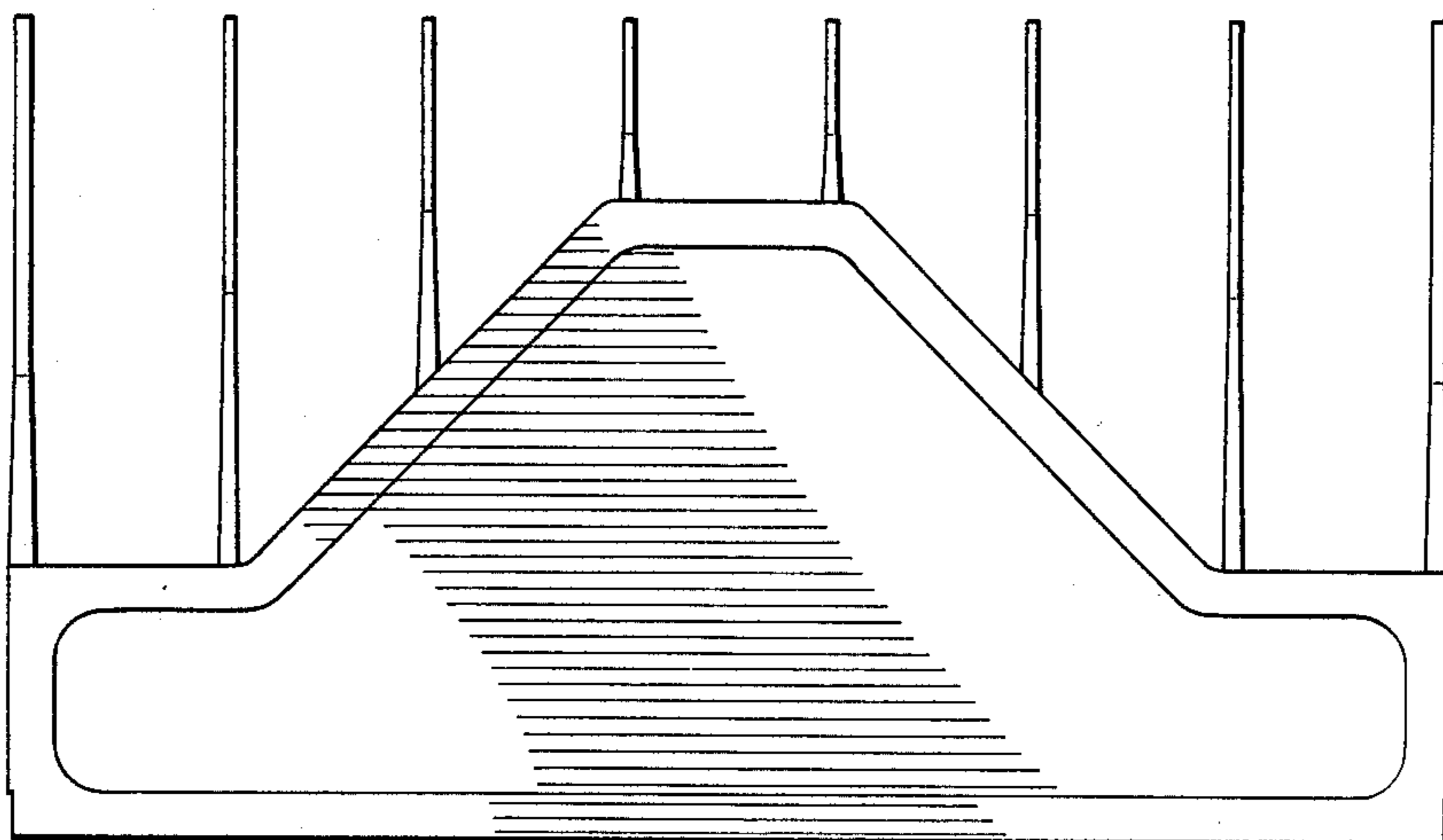


FIG. 6