

[54] **PENCIL CUP OR THE LIKE**
[75] **Inventor: Gerald J. Klodt, Madison, Wis.**
[73] **Assignee: W. T. Rogers Company, Madison, Wis.**
[**] **Term: 14 Years**
[21] **Appl. No.: 782,528**
[22] **Filed: Sep. 30, 1985**
[52] **U.S. Cl. D19/85; D19/77; D19/81**
[58] **Field of Search D19/65, 75, 76-79, D19/81, 83-88, 95, 99, 100, 92, 96; 211/126; 206/449**

D. 226,041 1/1973 Woofter D19/85
D. 250,653 12/1978 Tiedemann D19/85
D. 275,406 9/1984 Battle D19/85
D. 280,740 9/1985 Wang D19/77

Primary Examiner—Bernard Ansher
Assistant Examiner—Theodore M. Shooman
Attorney, Agent, or Firm—Lathrop & Clark

[57] **CLAIM**

The ornamental design for a pencil cup or the like, as shown.

DESCRIPTION

FIG. 1 is a top, front and right side perspective view of a pencil cup or the like showing my new design;
FIG. 2 is a front elevational view thereof;
FIG. 3 is a right side elevational view thereof;
FIG. 4 is a top plan view thereof;
FIG. 5 is a rear elevational view thereof;
FIG. 6 is a left side elevational view thereof; and
FIG. 7 is a bottom plan view thereof.

[56] **References Cited**

U.S. PATENT DOCUMENTS

D. 187,897 5/1960 Kipp D19/85 X
D. 217,040 3/1970 Smith D19/85 X

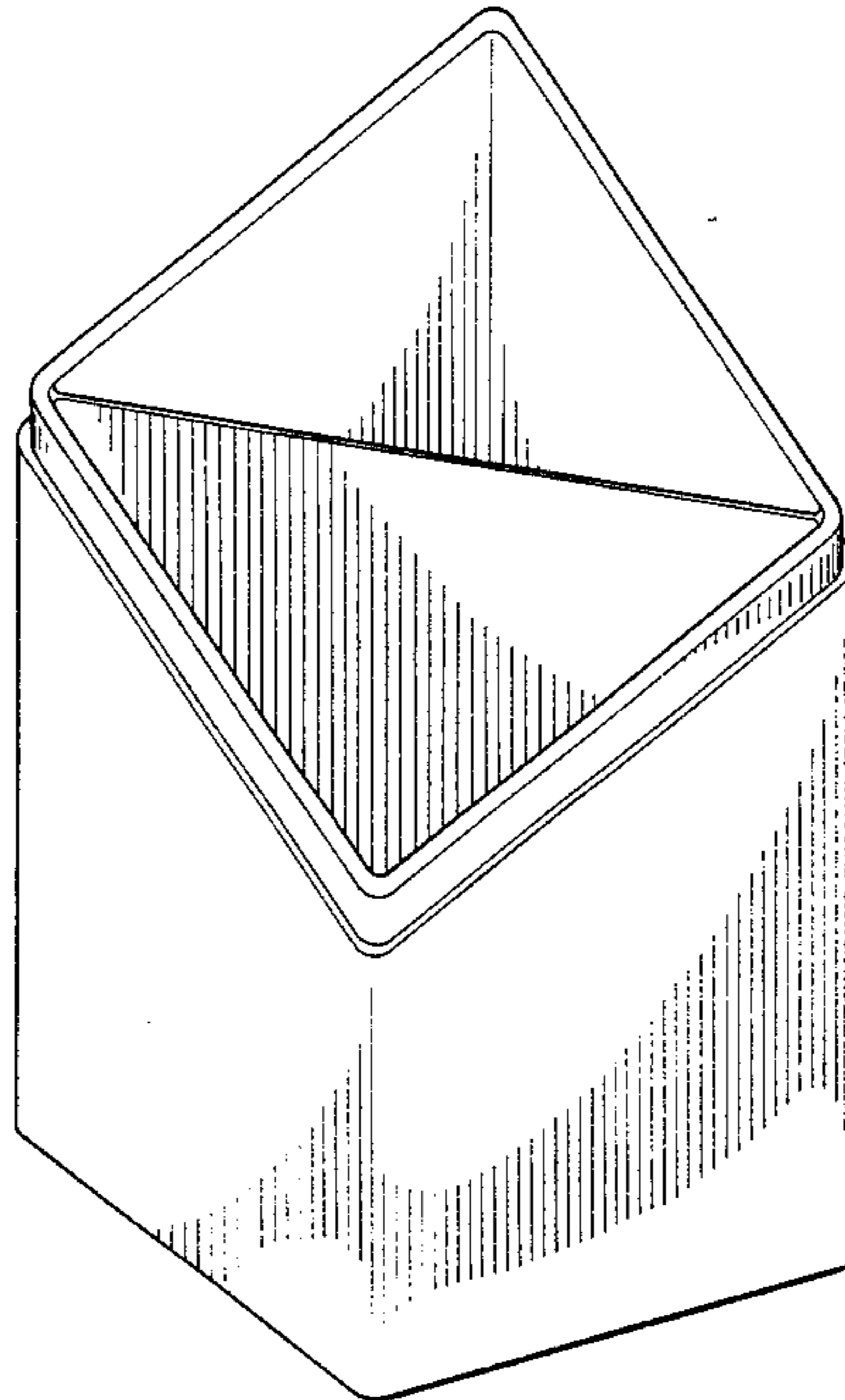


FIG. 1

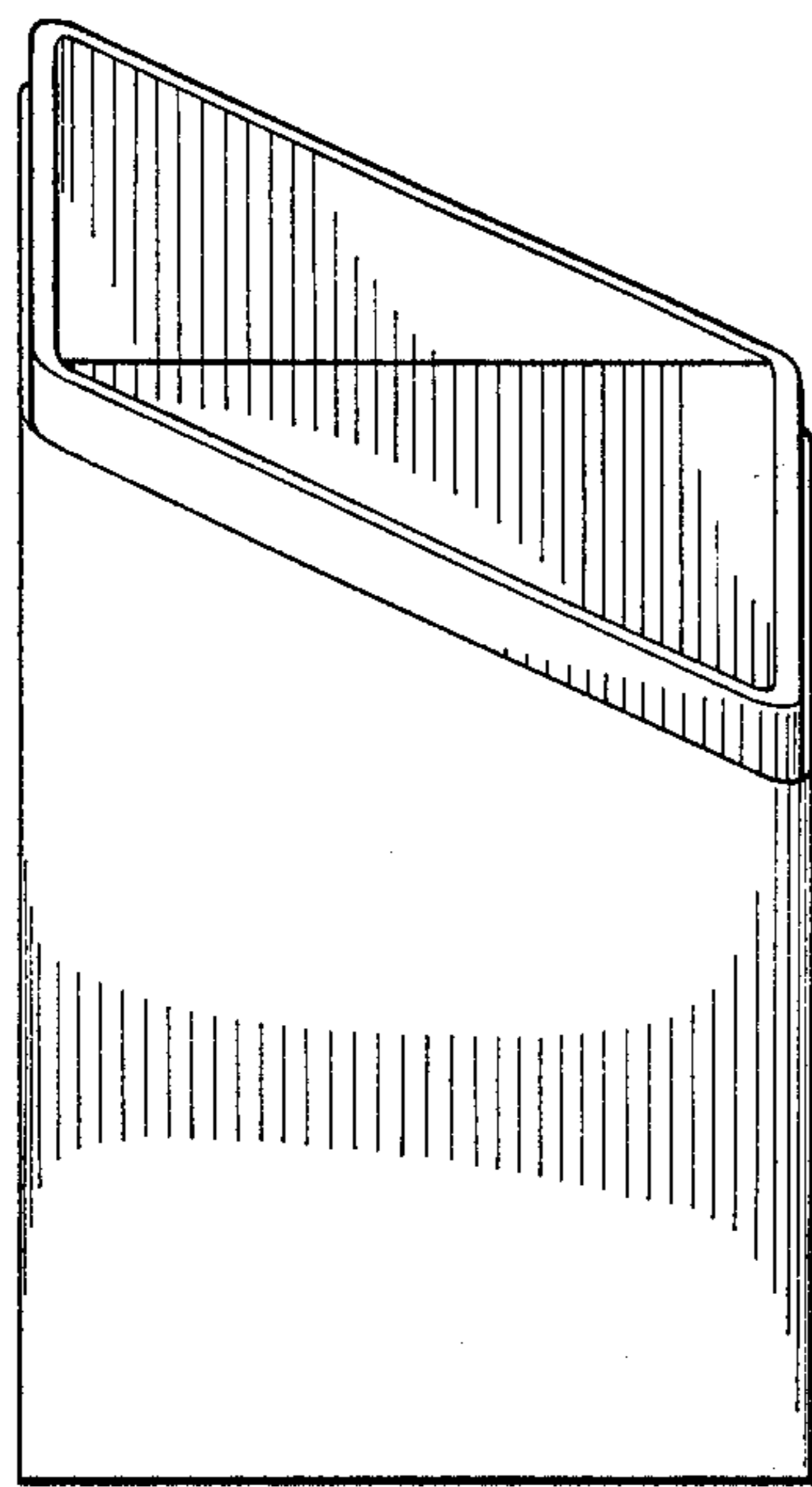
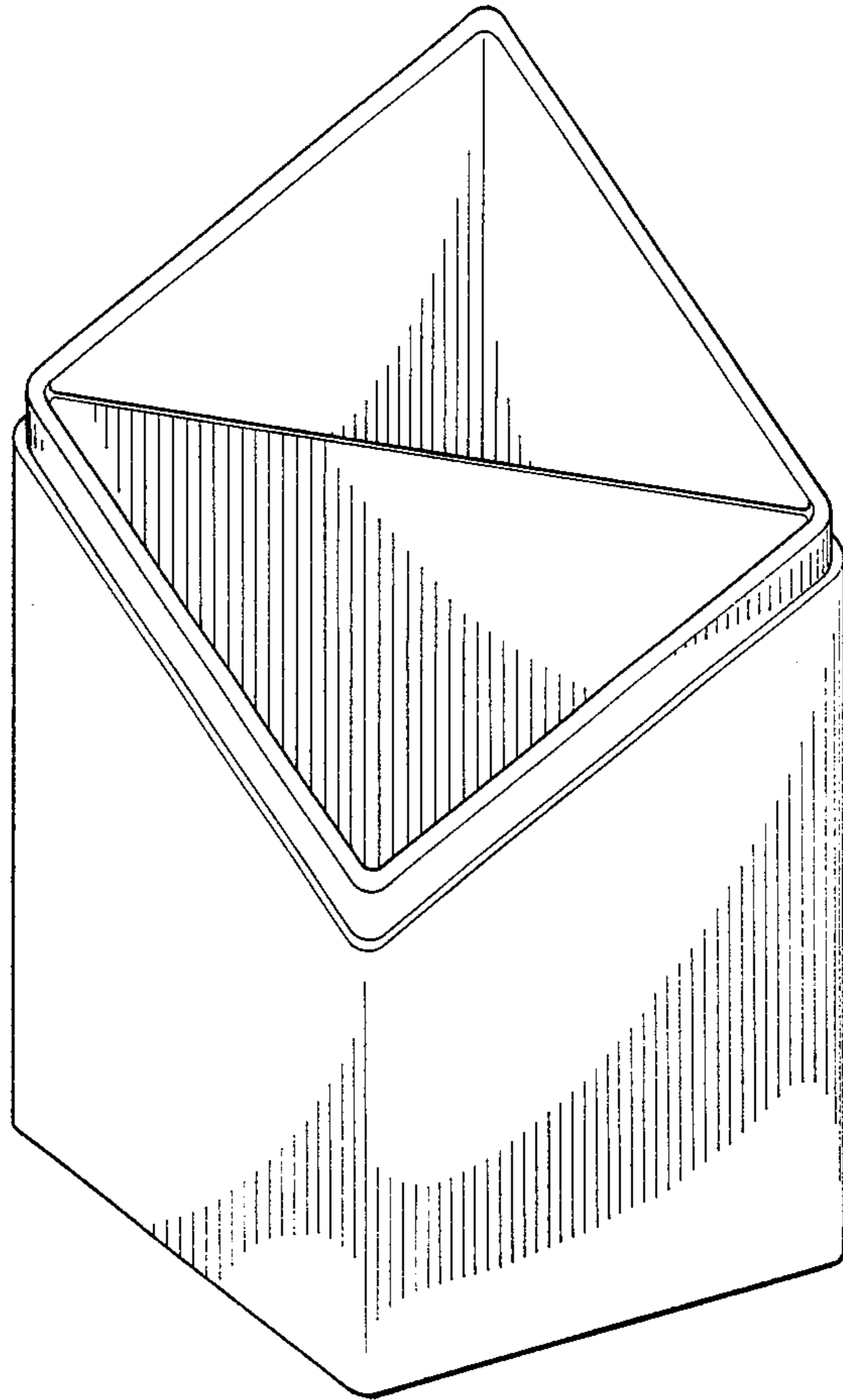


FIG. 2

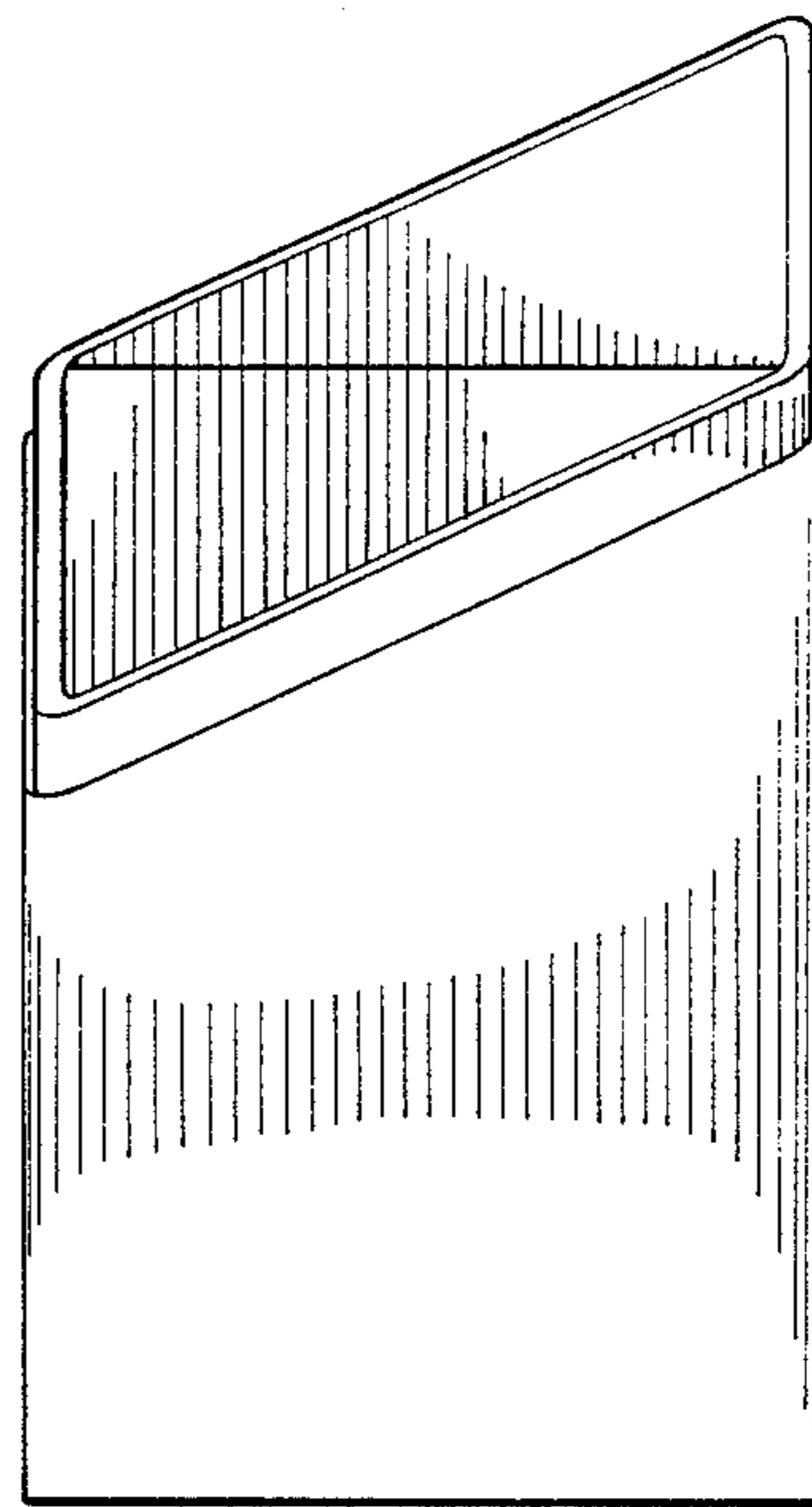


FIG. 3

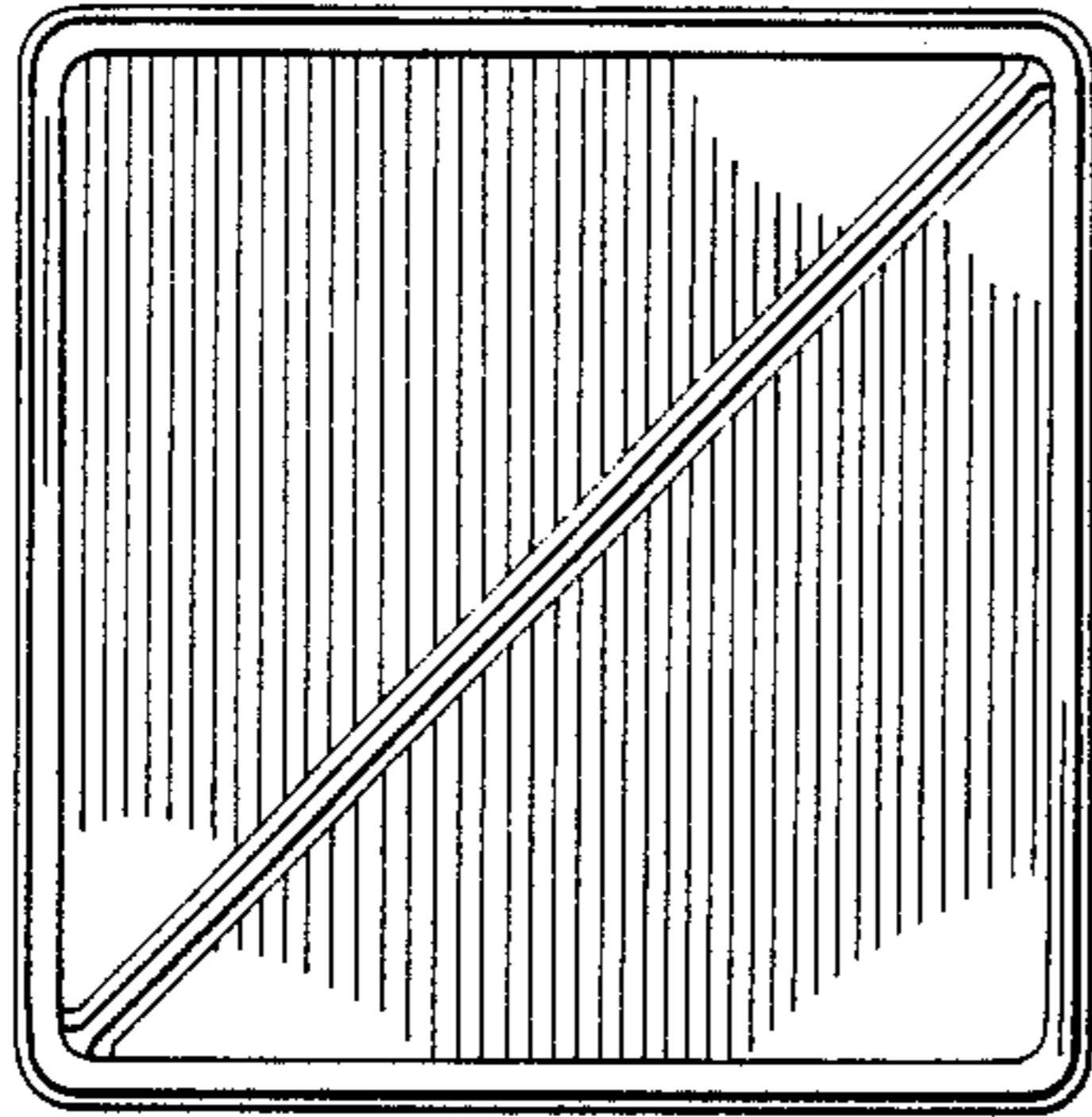


FIG. 4

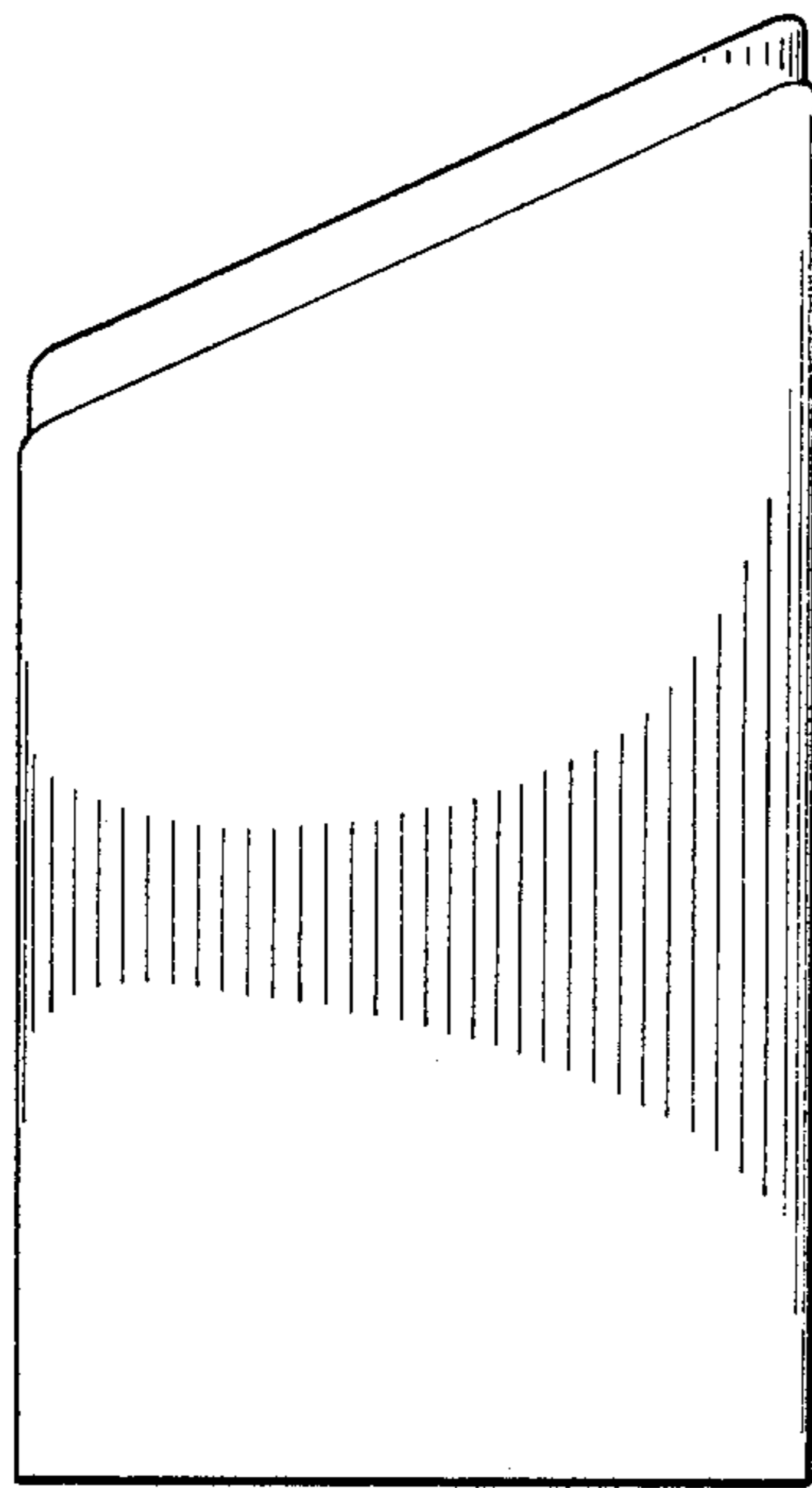


FIG. 5

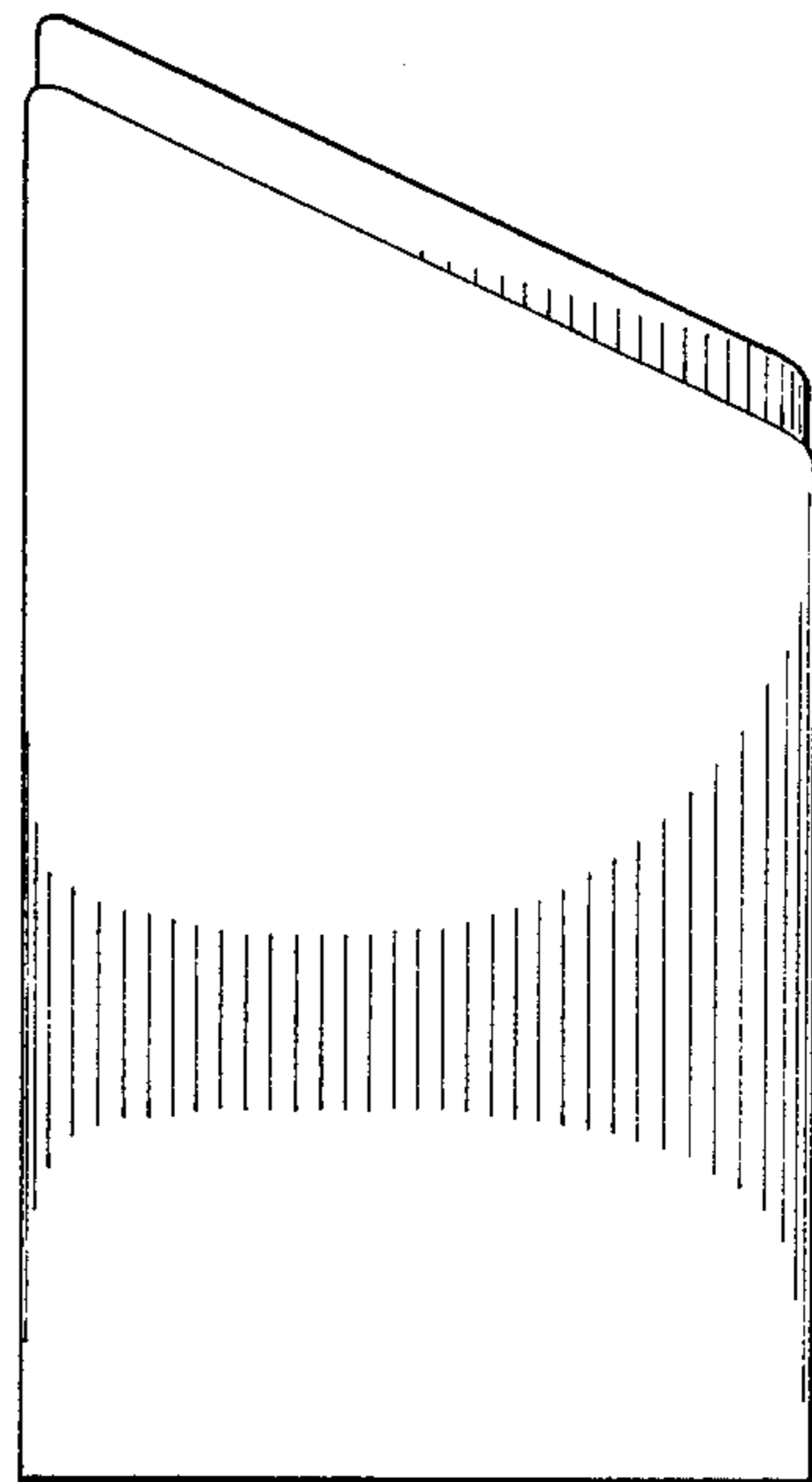


FIG. 6

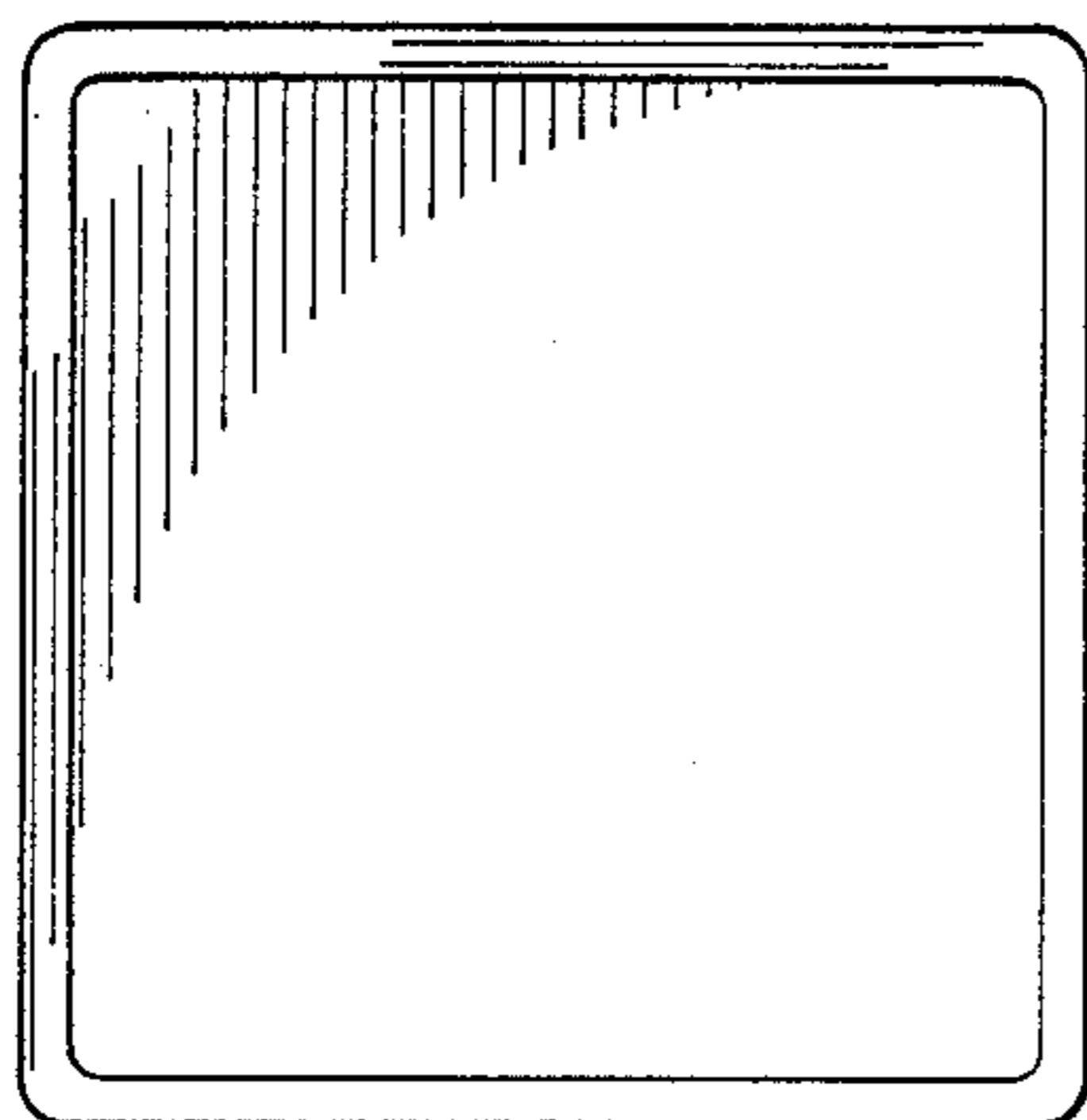


FIG. 7