

United States Patent [19]

Klodt

[11] Patent Number: Des. 299,474

[45] Date of Patent: ** Jan. 17, 1989

- [54] CARD FILE
- [75] Inventor: Gerald J. Klodt, Madison, Wis.
- [73] Assignee: W. T. Rogers Company, Madison, Wis.
- [**] Term: 14 Years
- [21] Appl. No.: 782,363
- [22] Filed: Oct. 1, 1985
- [52] U.S. Cl. D19/76; D19/75; D3/35; D9/432
- [58] Field of Search D19/65, 75, 76-79, D19/81, 83-88, 92, 95, 96, 99, 100, 90; 206/371, 475; 312/183, 184; 211/11; D9/420, 421, 432; D3/35
- [56] **References Cited**
U.S. PATENT DOCUMENTS
D. 170,165 8/1953 Roop D19/76

- D. 285,178 8/1986 Ewry D9/432
D. 287,544 1/1987 Long et al. D3/35
D. 288,938 3/1987 Klodt D19/76
D. 289,262 4/1987 Goetz et al. D9/420

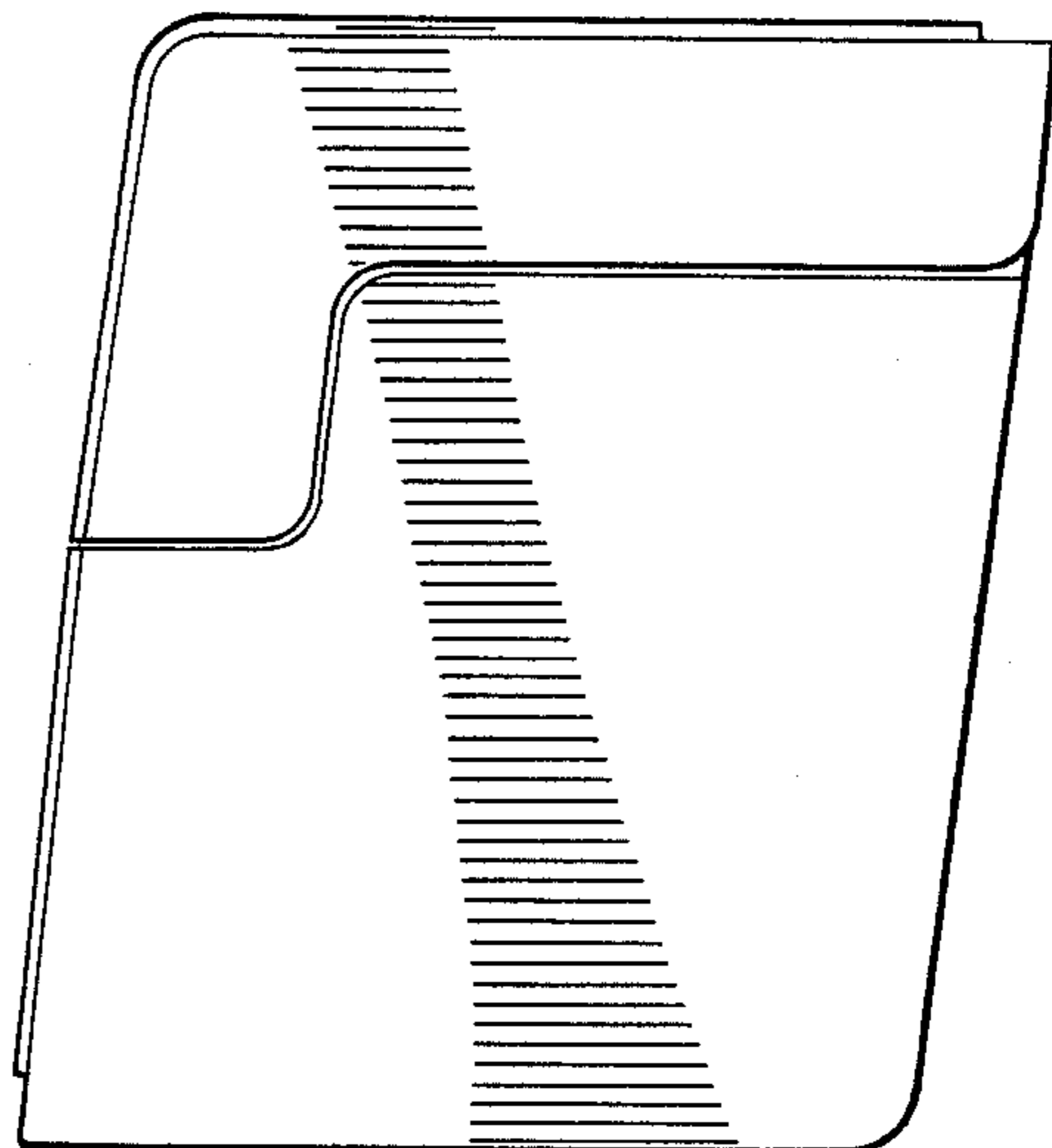
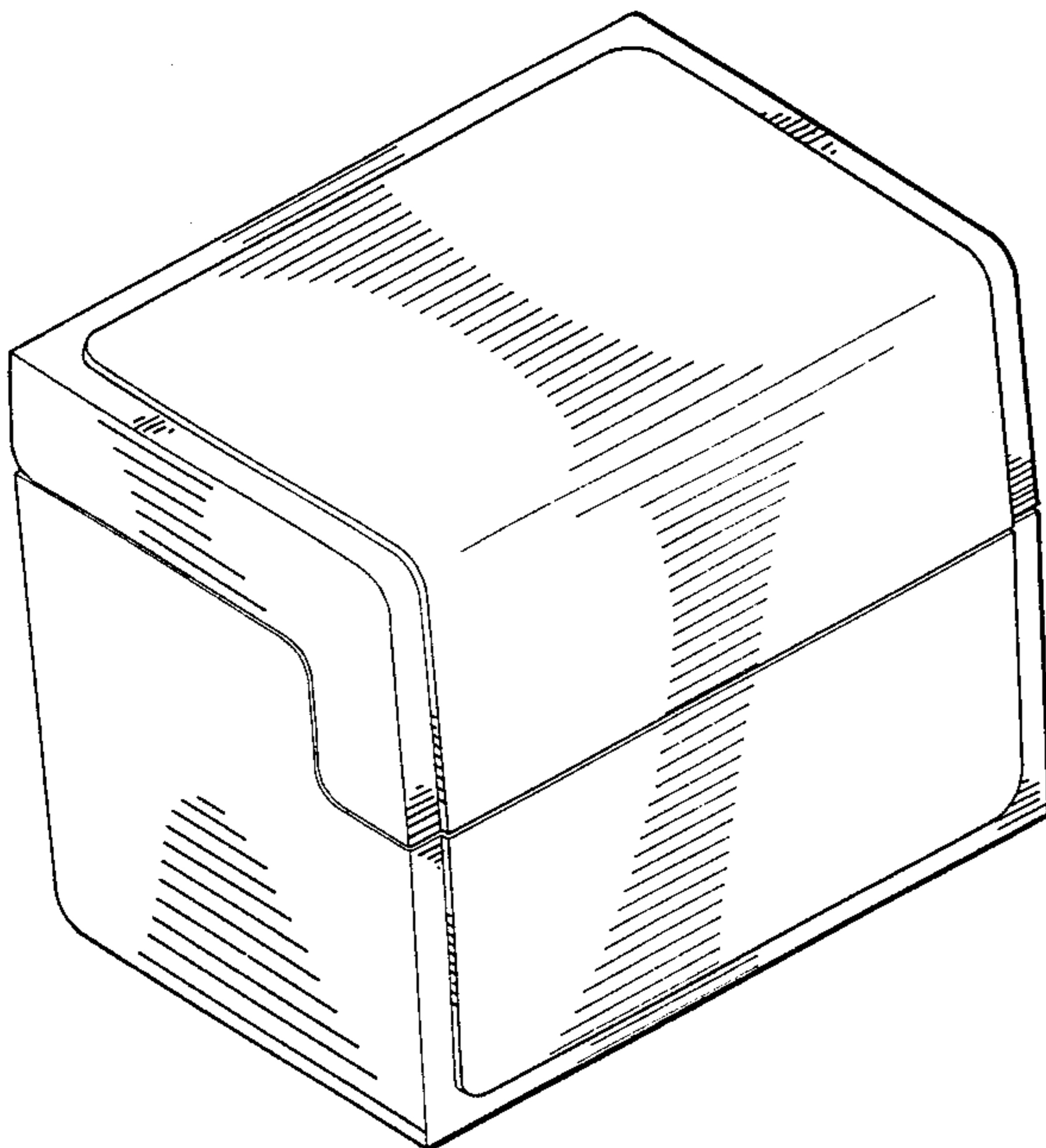
Primary Examiner—Bernard Ansher
Assistant Examiner—Theodore M. Shooman
Attorney, Agent, or Firm—Lathrop & Clark

[57] CLAIM

The ornamental design for a card file, as shown and described.

DESCRIPTION

FIG. 1 is a top, front and left side perspective view of a card file showing my new design;
FIG. 2 is a front elevational view thereof;
FIG. 3 is a right side elevational view thereof, the left side being a mirror image;
FIG. 4 is a rear elevational view thereof;
FIG. 5 is a top plan view thereof; and
FIG. 6 is a bottom plan view thereof.



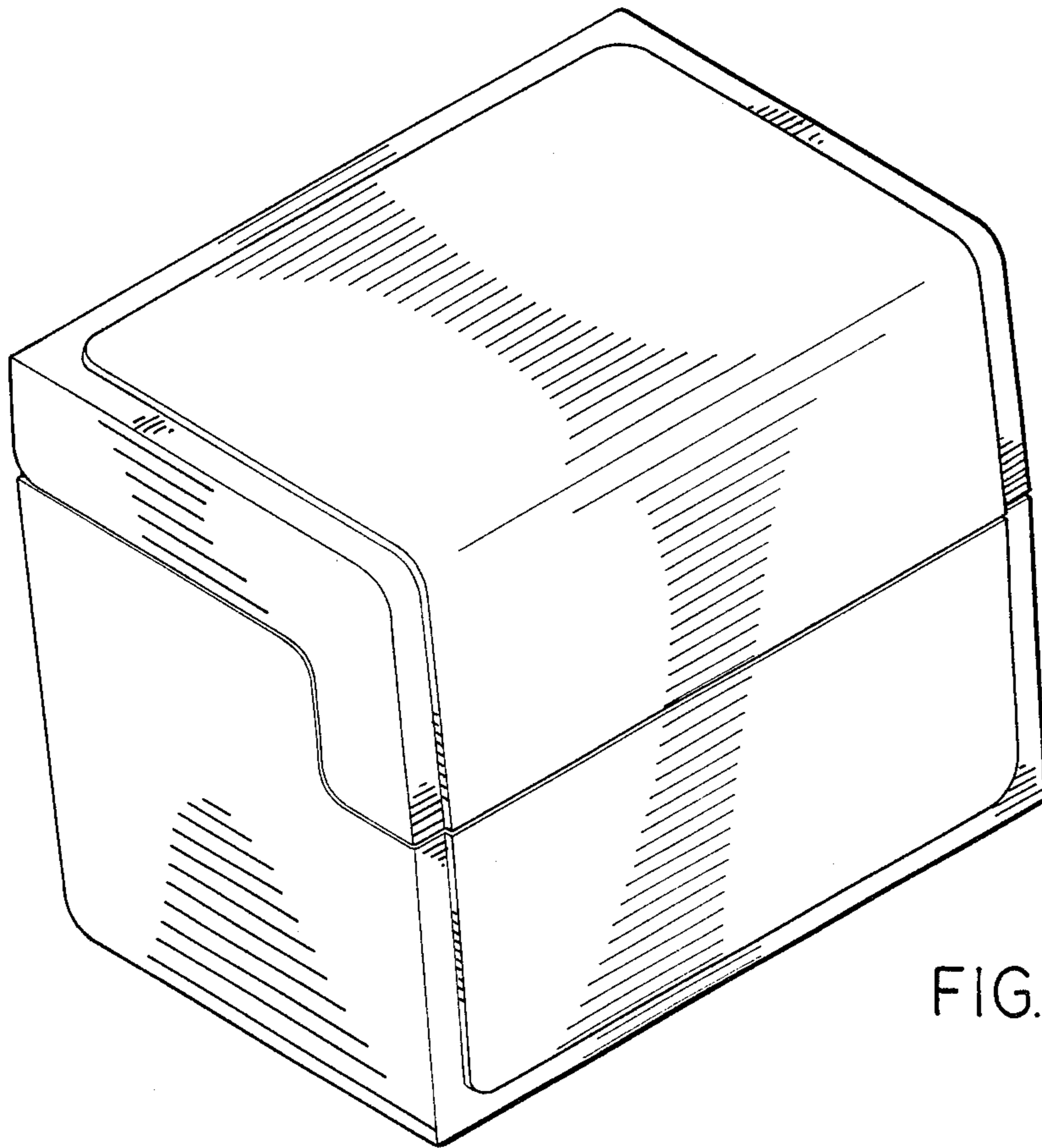


FIG. 1

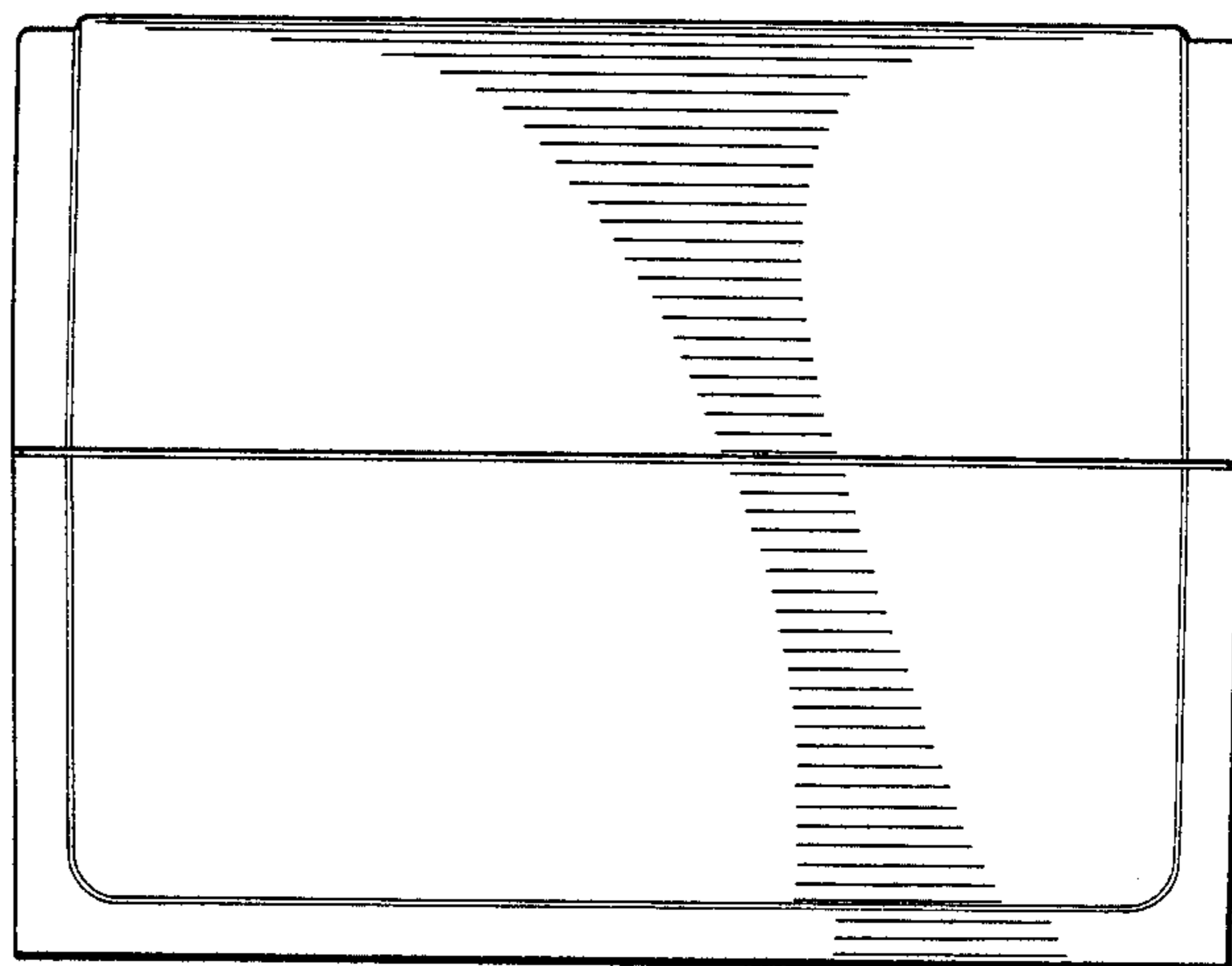


FIG. 2

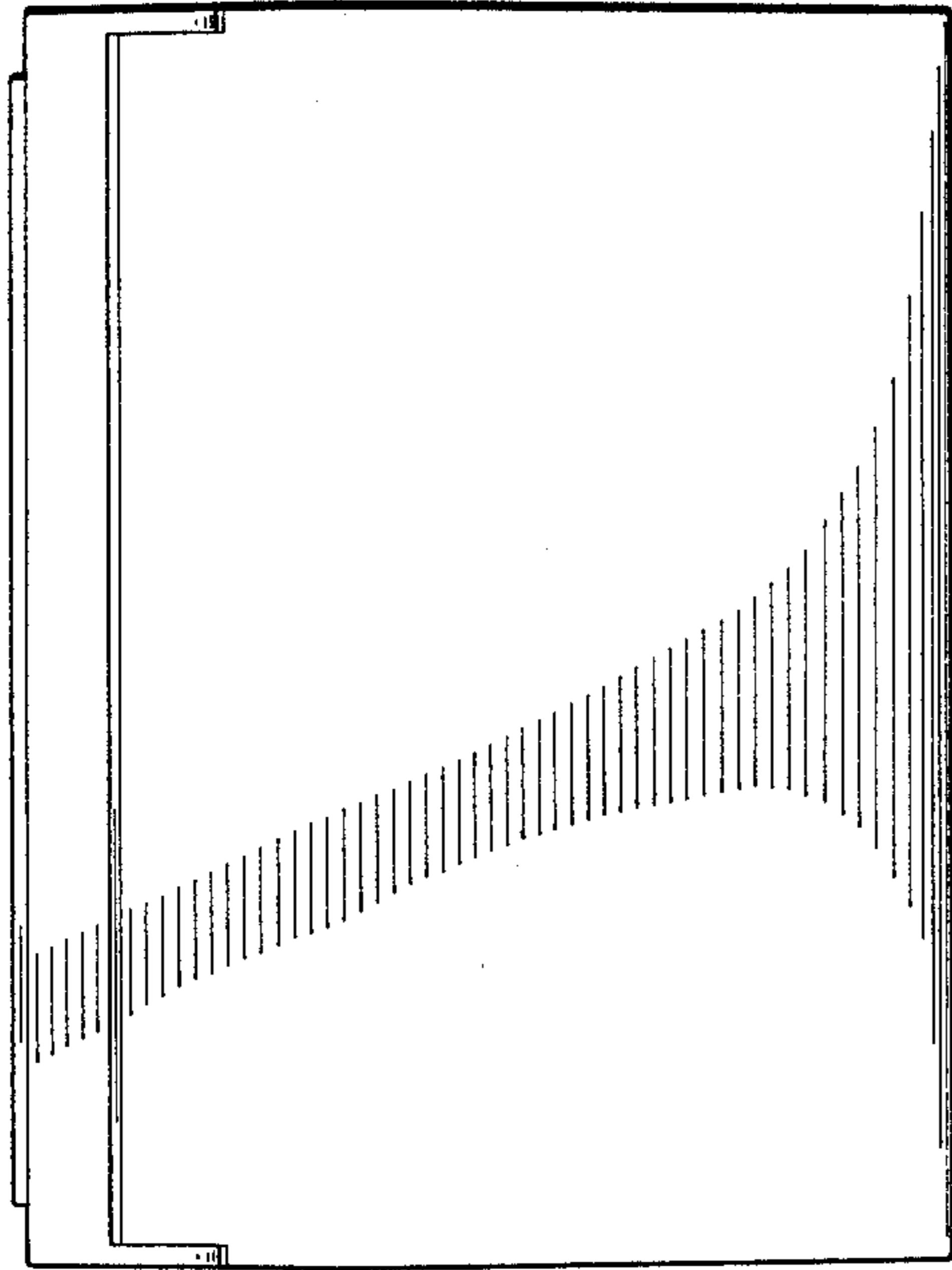


FIG. 4

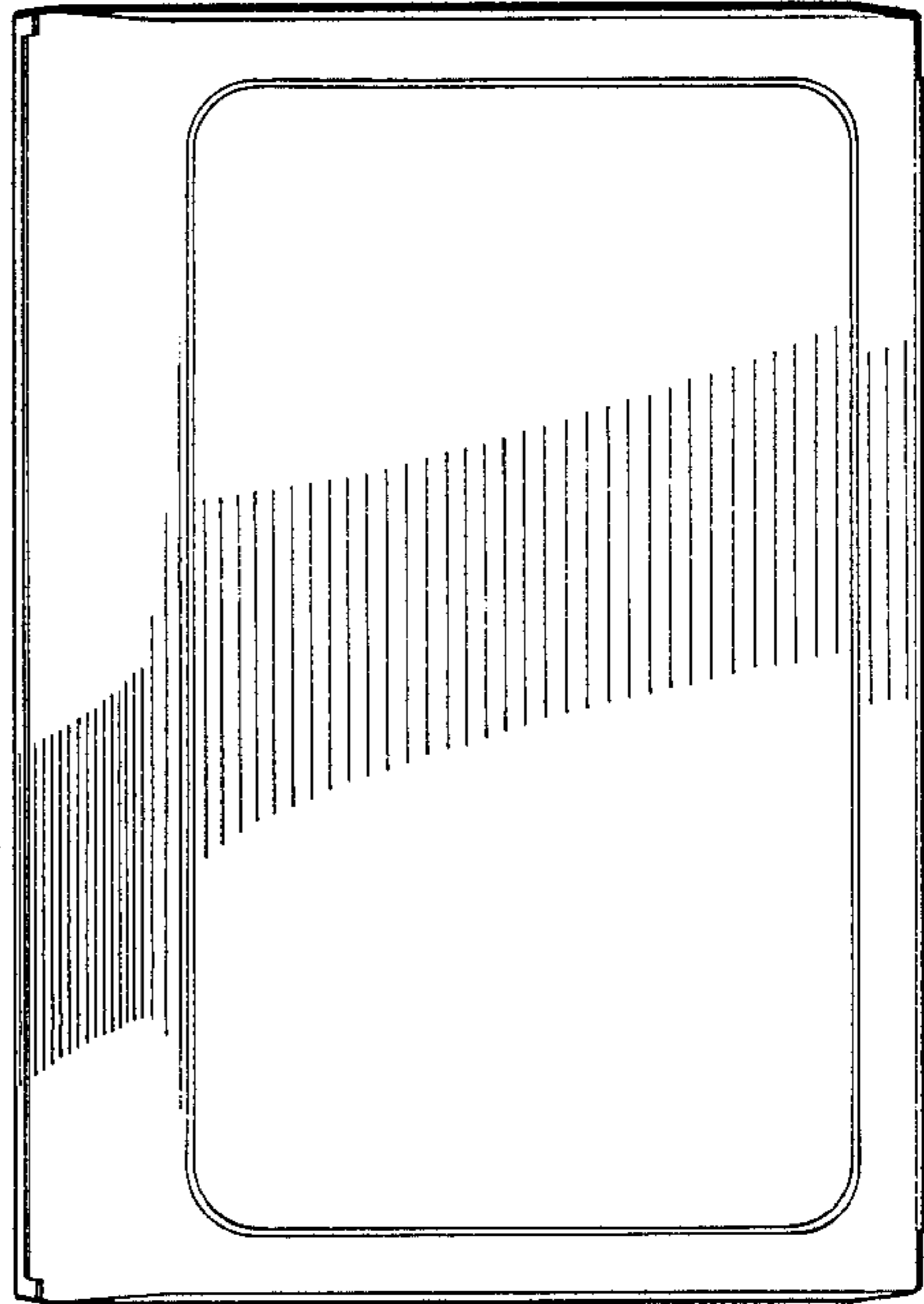


FIG. 6

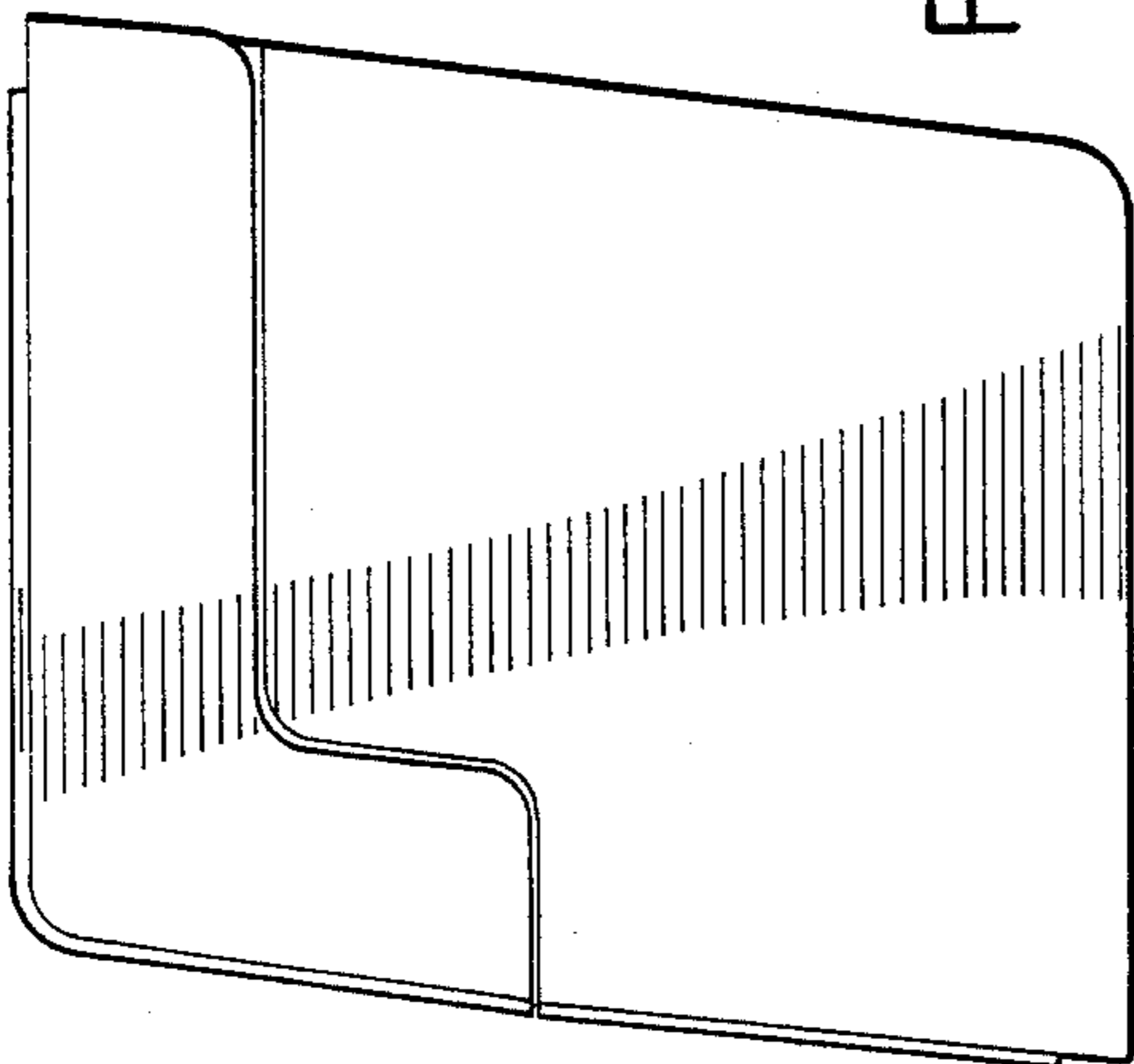


FIG. 3

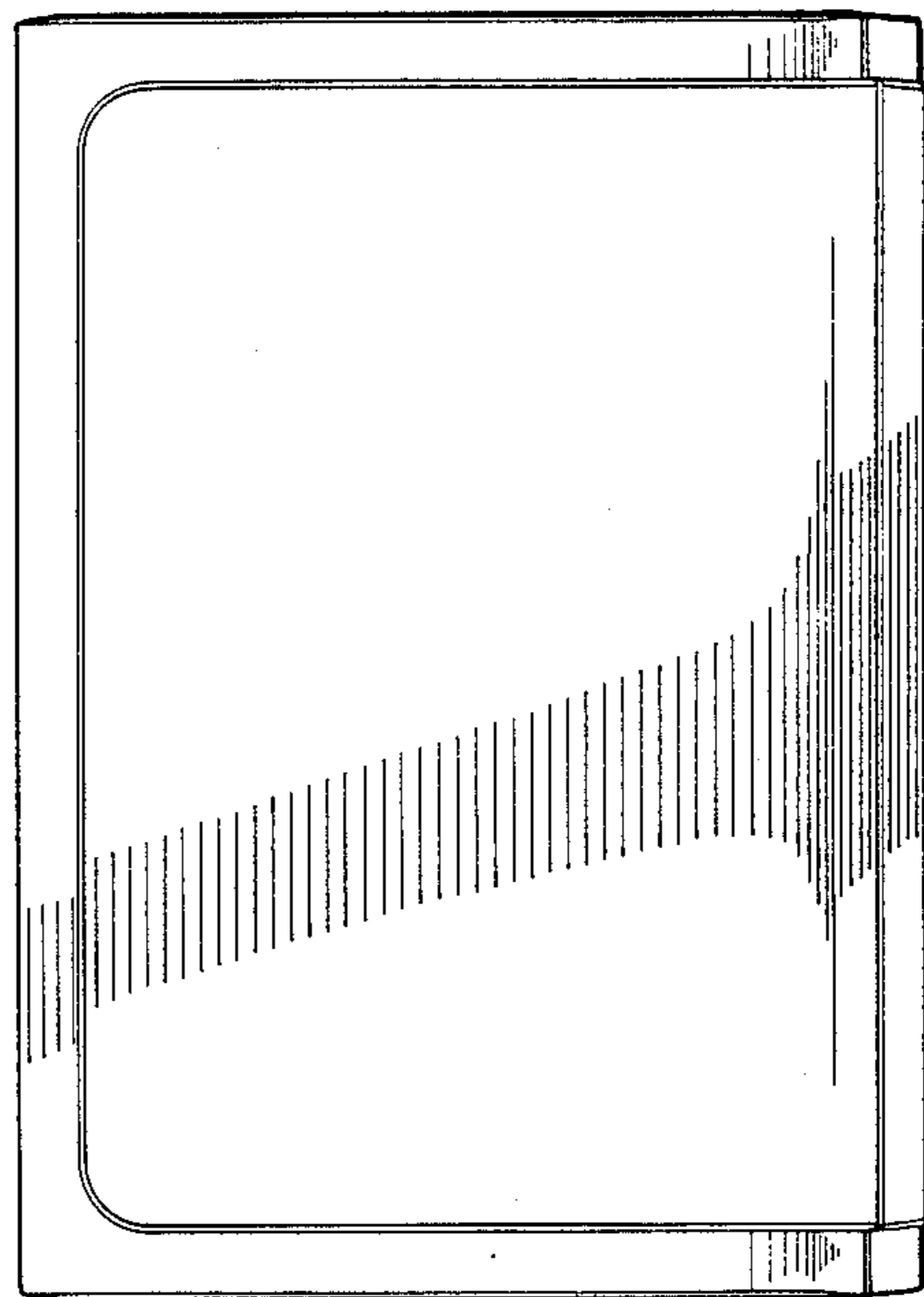


FIG. 5