

[54] **EDUCATIONAL TOY VIEWING DEVICE**

[75] **Inventor: Raymond C. Phinney, East Aurora, N.Y.**

[73] **Assignee: The Quaker Oats Company, Chicago, Ill.**

[**] **Term: 14 Years**

[21] **Appl. No.: 919,309**

[22] **Filed: Oct. 15, 1986**

[52] **U.S. Cl. D19/60; D21/59**

[58] **Field of Search D21/59, 13; D19/75, D19/60; D14/77; 446/479, 484, 491, 486; 434/323, 331, 348**

[56]

References Cited

U.S. PATENT DOCUMENTS

D. 220,796	5/1971	Matsumoto	D19/60
D. 234,360	2/1975	Duncan	D19/60
D. 288,827	3/1987	Wolff	D19/75
D. 296,907	7/1988	Danielsson	D19/75
3,417,490	12/1968	Chuy et al.	434/331
3,562,923	2/1971	Chuy et al.	434/331

Primary Examiner—Charles A. Rademaker
Attorney, Agent, or Firm—Cumpston & Shaw

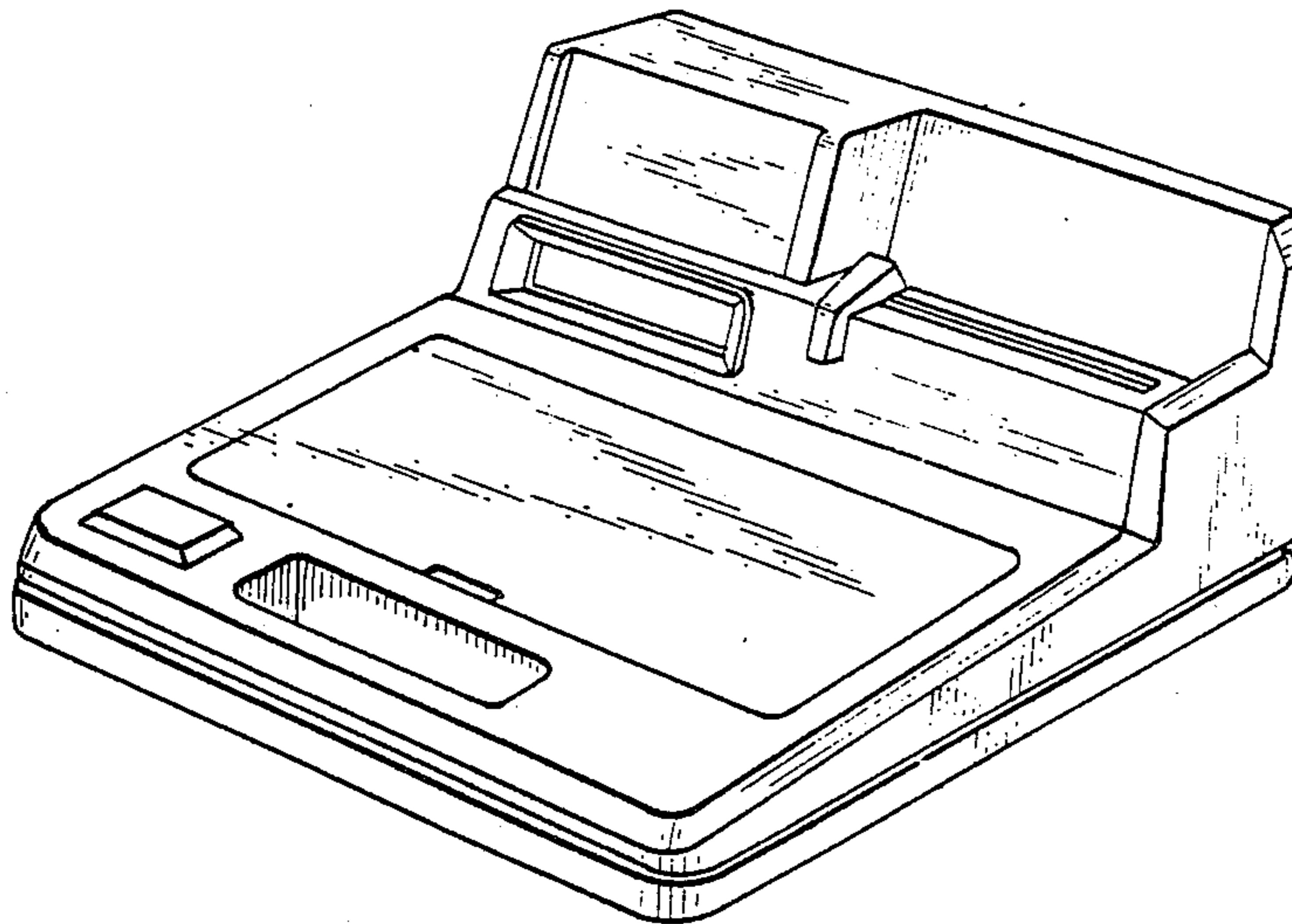
[57]

CLAIM

The ornamental design for an educational toy viewing device, as shown and described.

DESCRIPTION

FIG. 1 is a right-side front perspective view of an educational toy viewing device showing my new design; FIG. 2 is a left-side elevational view, the right-side being substantially a mirror image thereof; and FIG. 3 is a rear elevational view thereof.



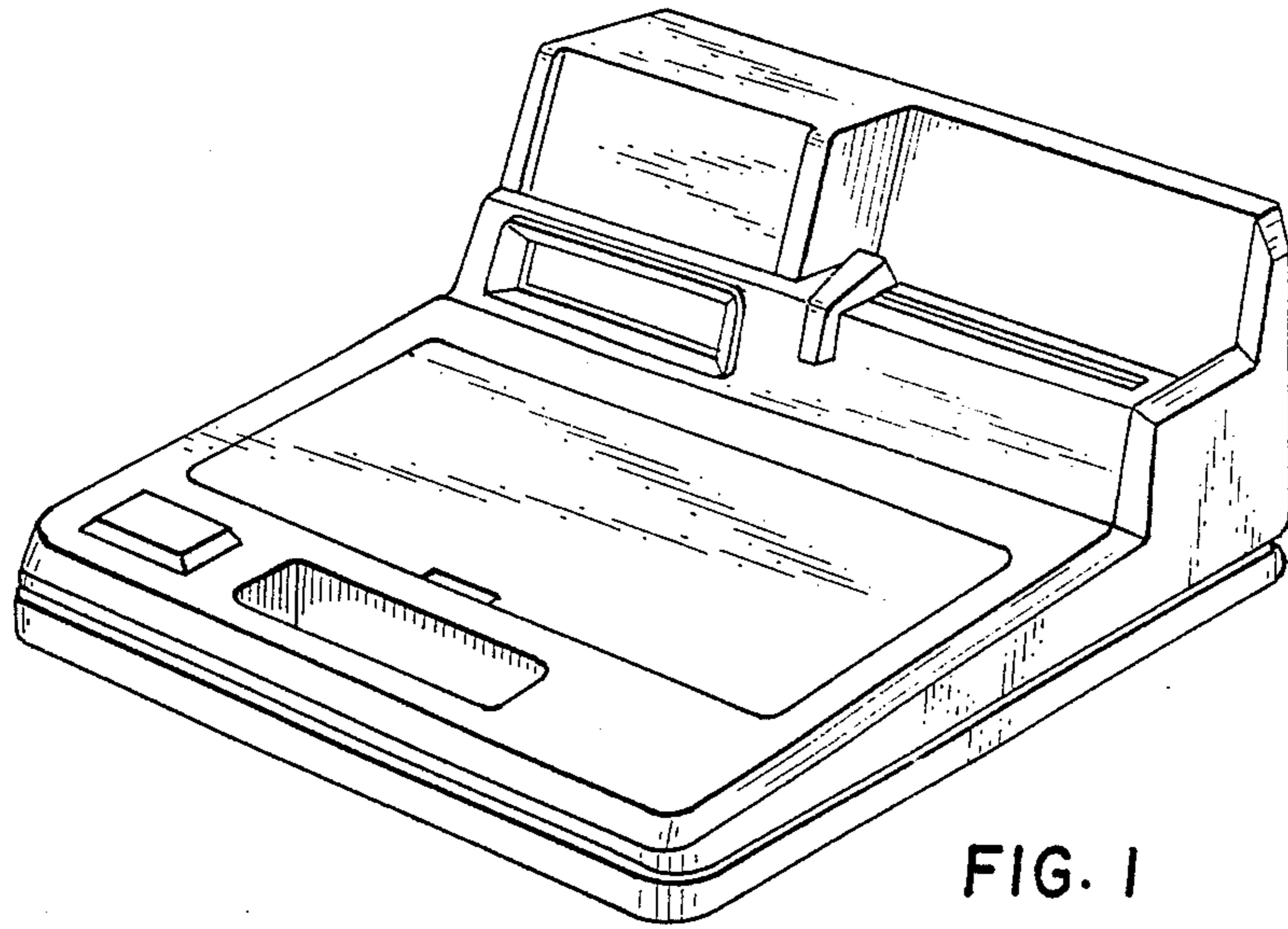


FIG. 1

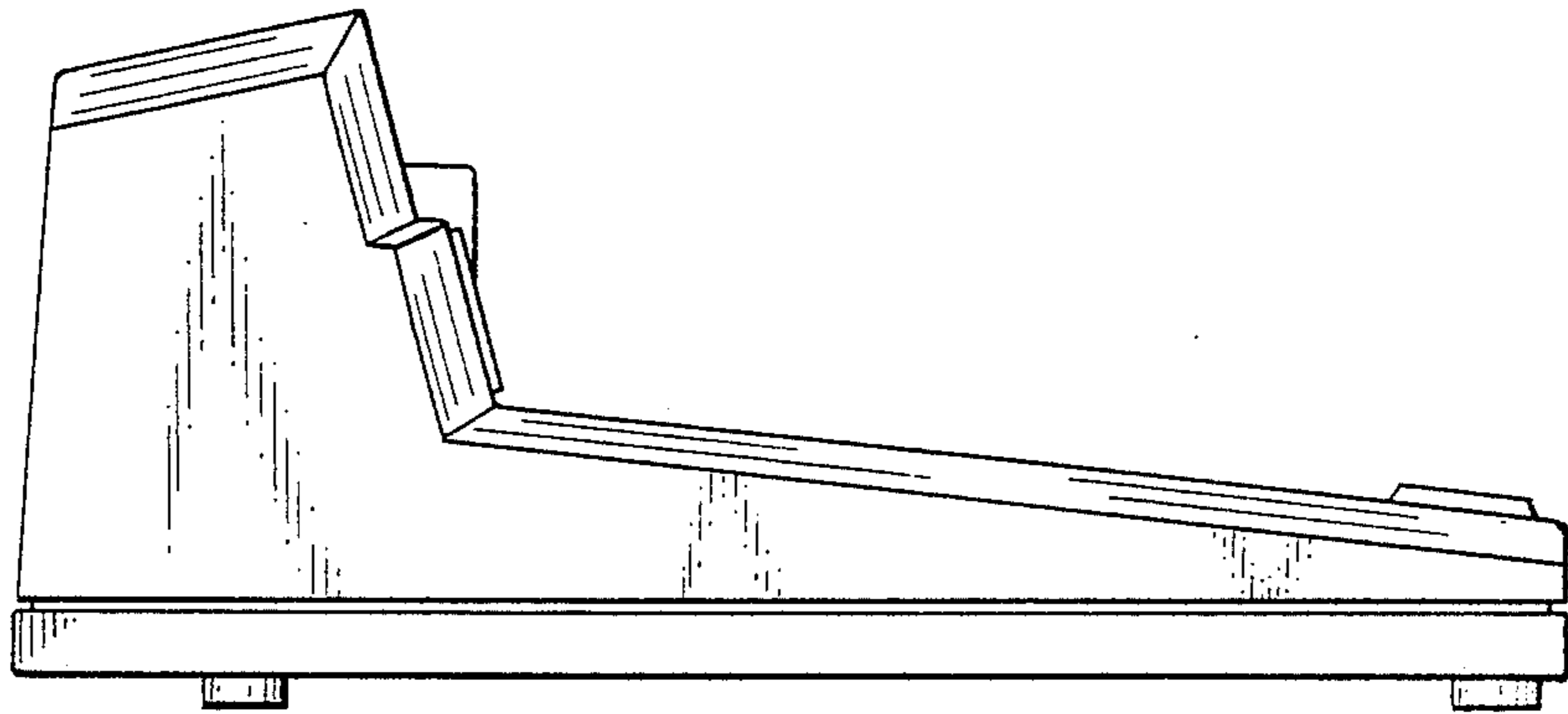


FIG. 2

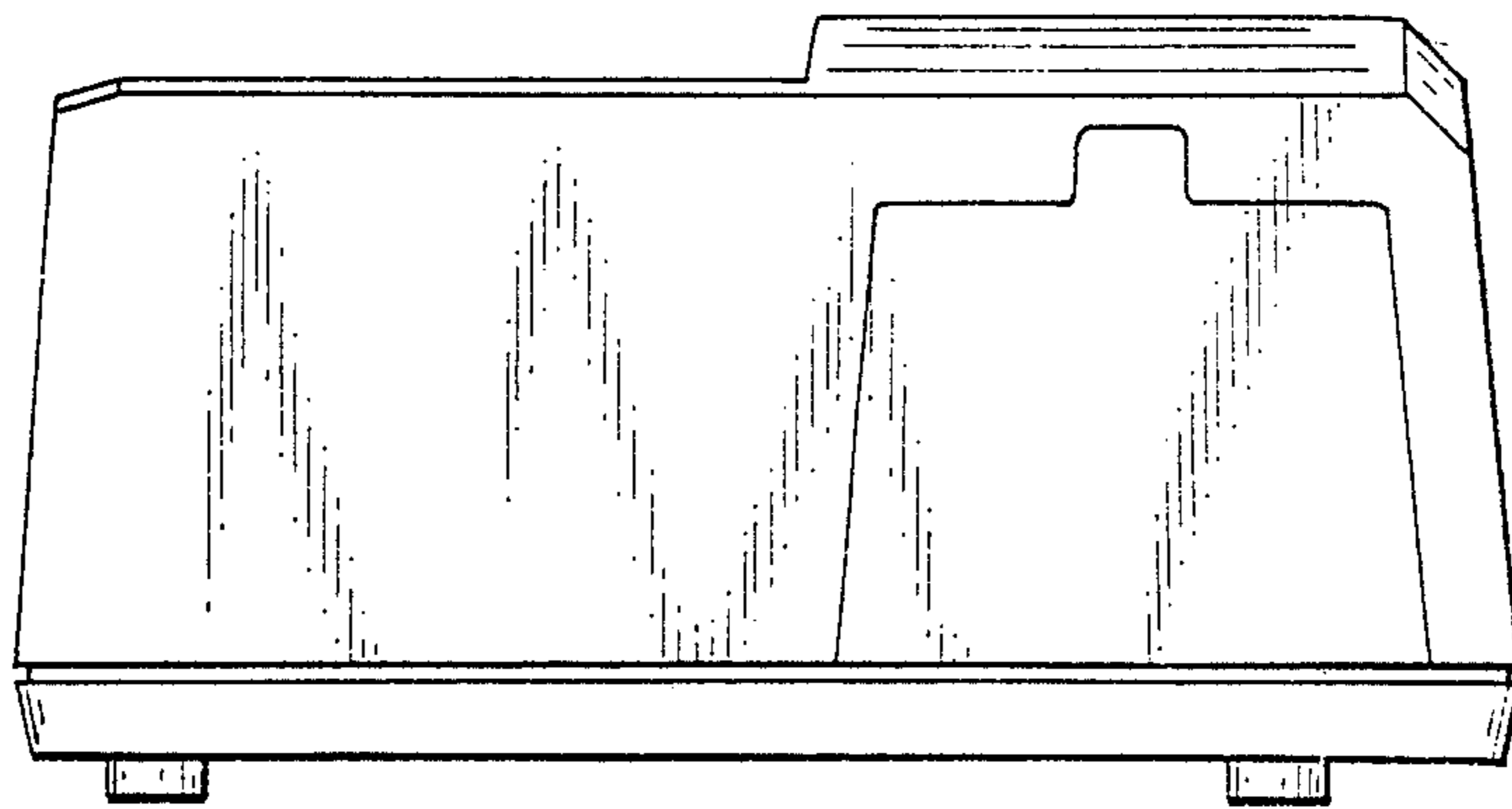


FIG. 3