

United States Patent [19]

Schneider et al.

[11] Patent Number: Des. 299,469

[45] Date of Patent: ** Jan. 17, 1989

[54] FRAME FOR COMBINATION GRINDER AND SAW

[76] Inventors: Mark Schneider; Theresa Schneider, both of 134 S. 8th St., Wakeney, Kans. 67672

[**] Term: 14 Years

[21] Appl. No.: 883,513

[22] Filed: Jul. 8, 1986

[52] U.S. Cl. D15/141; D15/125; D15/133

[58] Field of Search D15/124, 125, 141, 133; 51/240 R, 240 A, 166 FB; 144/286 R

[56] References Cited

U.S. PATENT DOCUMENTS

D. 257,848 1/1981 Handler et al. D15/141
D. 273,195 3/1984 Ferdinand et al. D15/141
D. 286,538 11/1986 Duwell et al. D15/141
2,435,622 2/1948 Fielding .

2,486,386 11/1949 Bingaman .
2,682,262 6/1954 Schultz .
2,803,095 8/1957 LaMonica .
3,135,071 6/1964 Godar .
3,182,427 5/1965 Miyabayashi .
3,342,226 9/1967 Marcoux et al. 144/286 R
4,278,243 7/1981 Alessio D15/141
4,405,003 9/1983 Watson et al. 144/286 R
4,564,181 1/1986 Gansel et al. 144/286 R

Primary Examiner—B. J. Bullock

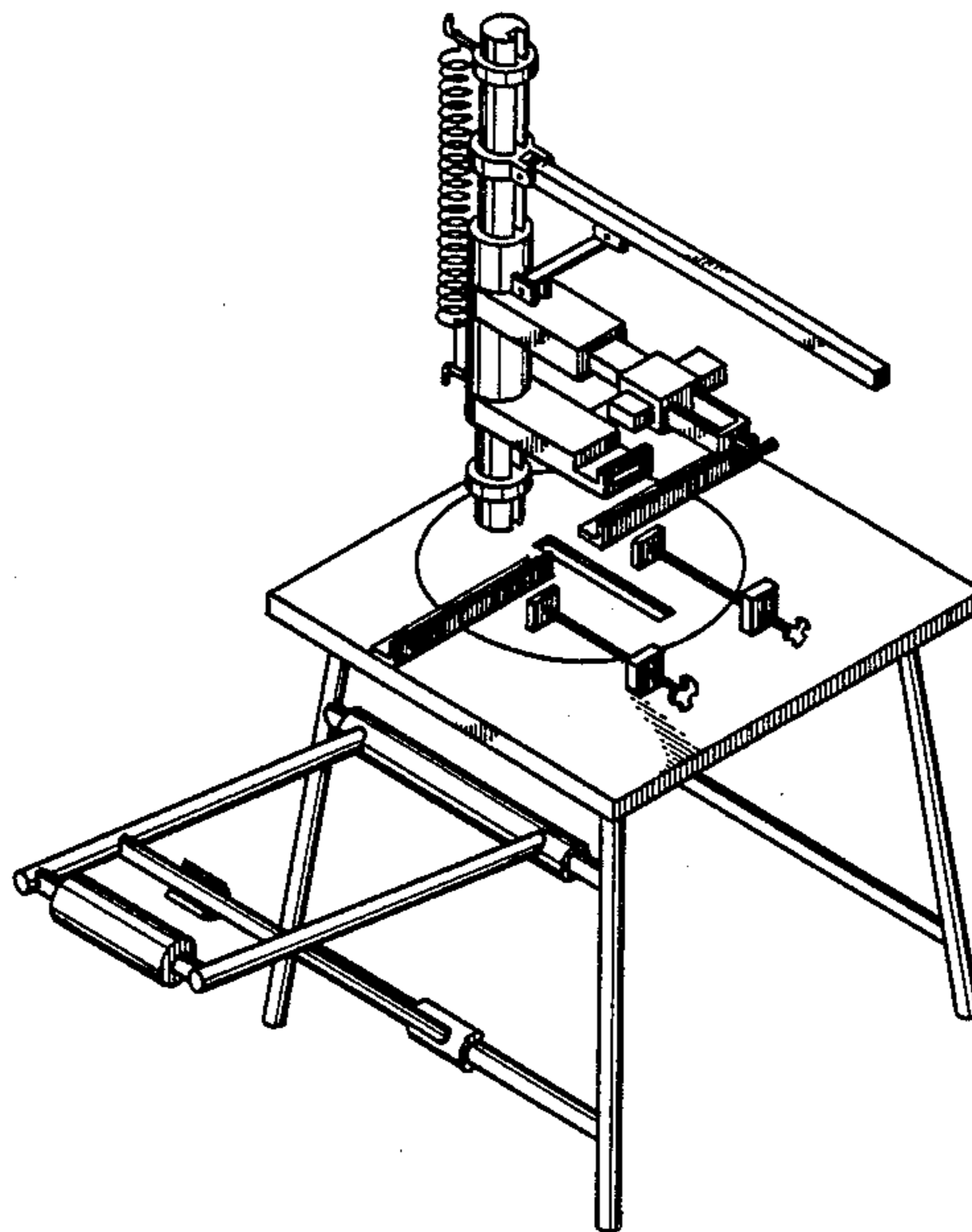
Attorney, Agent, or Firm—Terry M. Gernstein

[57] CLAIM

The ornamental design for a frame for combination grinder and saw, as shown and described.

DESCRIPTION

FIG. 1 is a left side elevational view of a frame for combination grinder and saw showing my new design.
FIG. 2 is a top plan view thereof.
FIG. 3 is a front elevational view thereof.
FIG. 4 is an isometric view thereof.



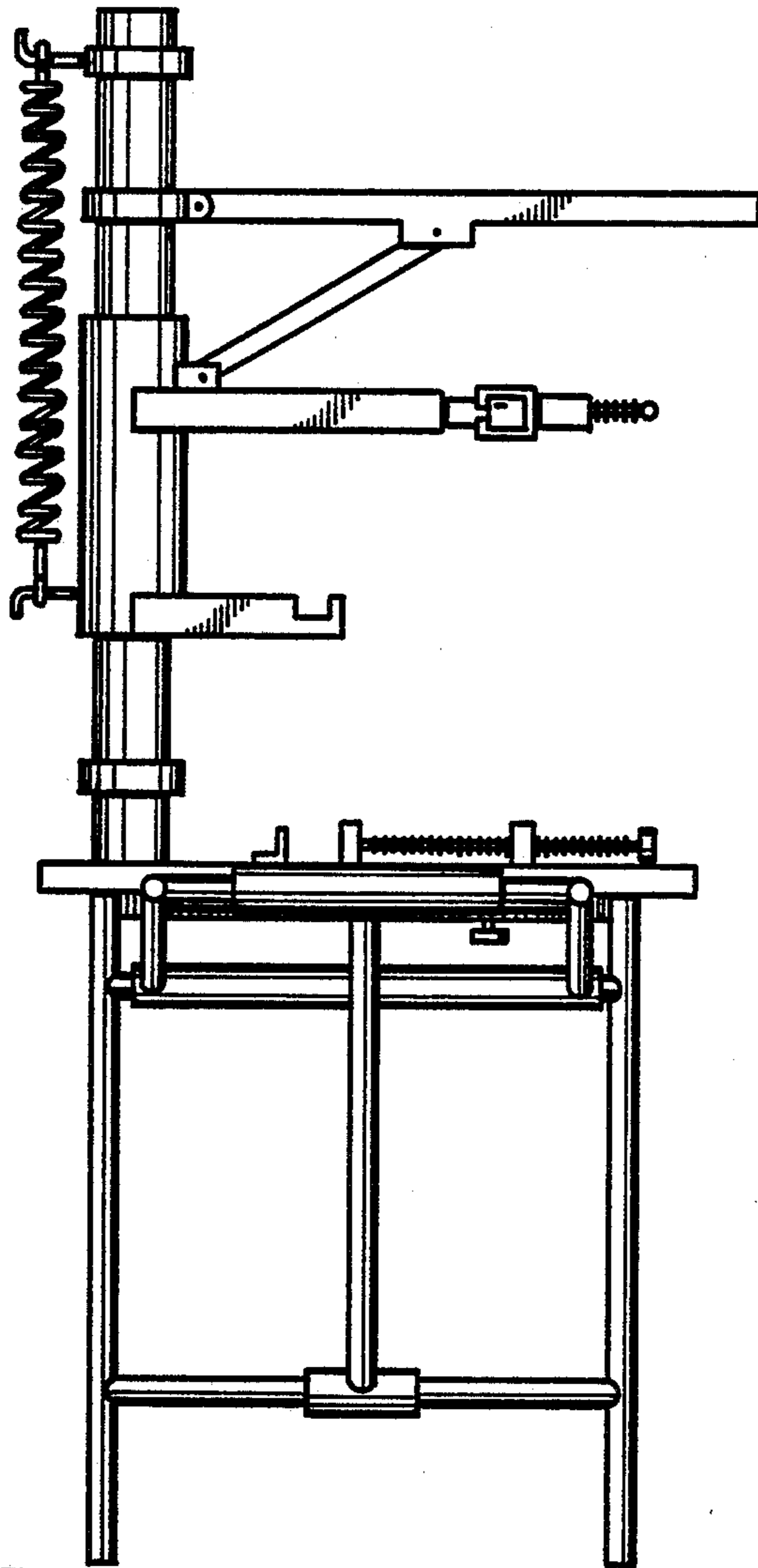


Fig. 1

Fig. 2

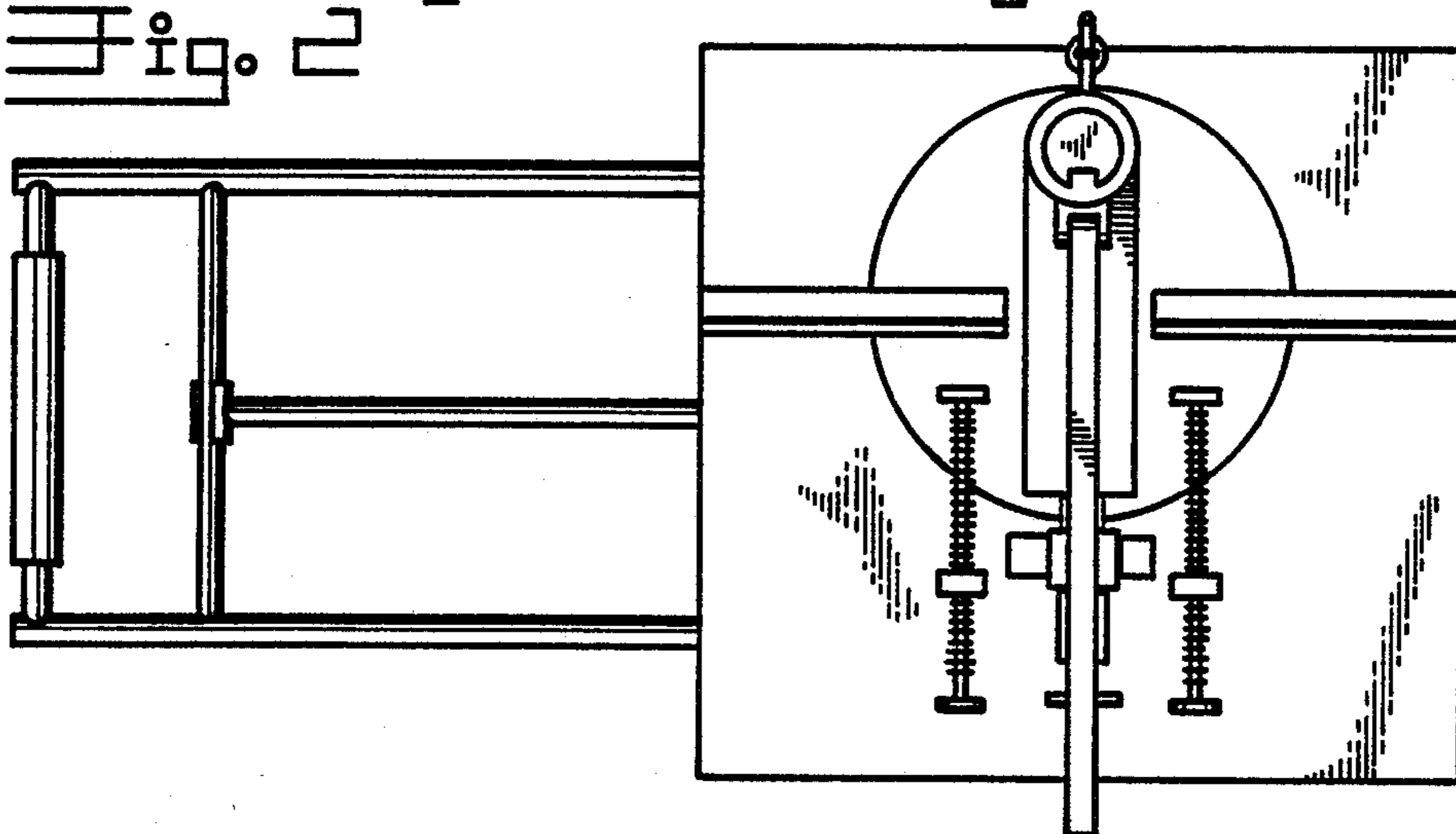
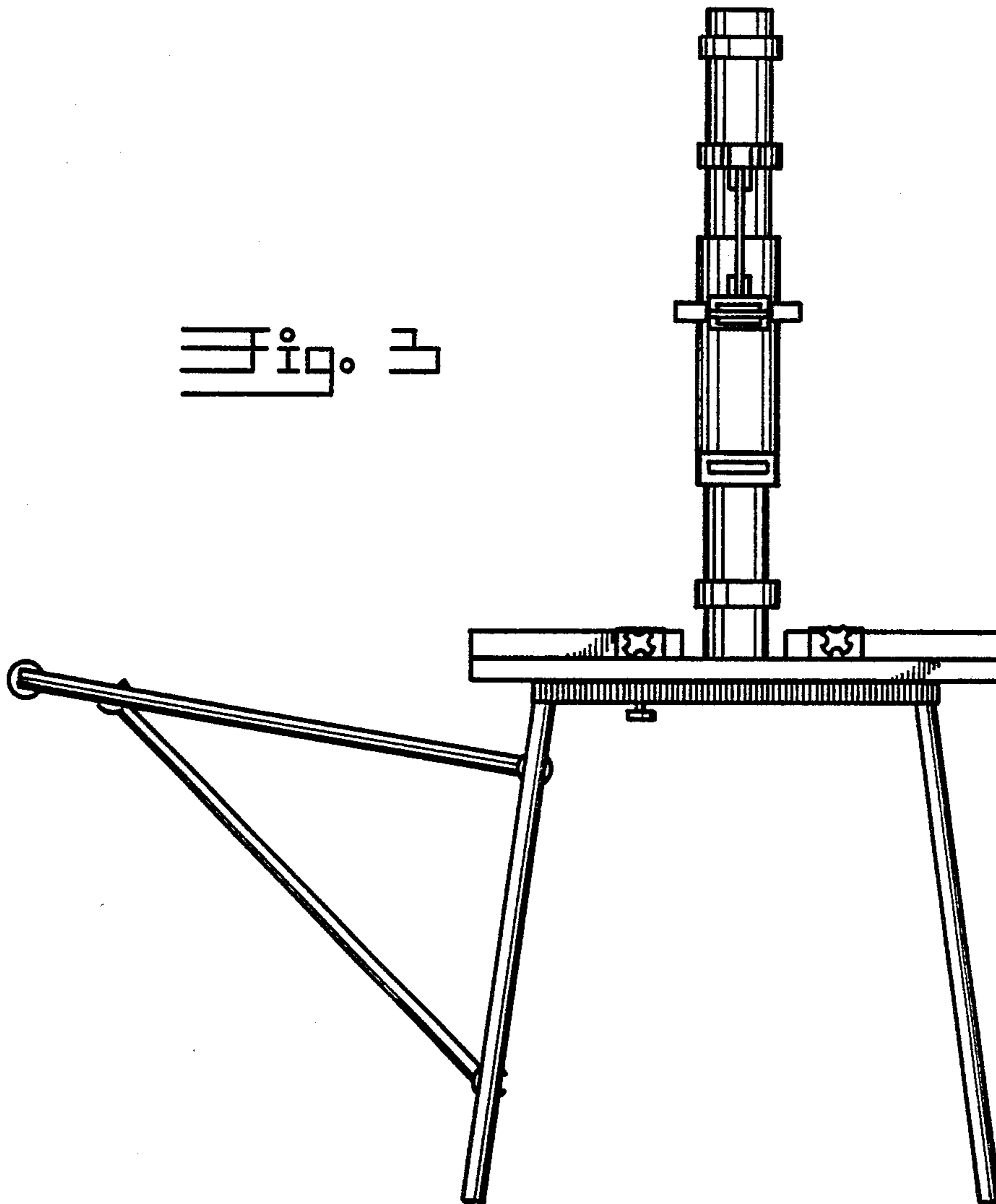


Fig. 3



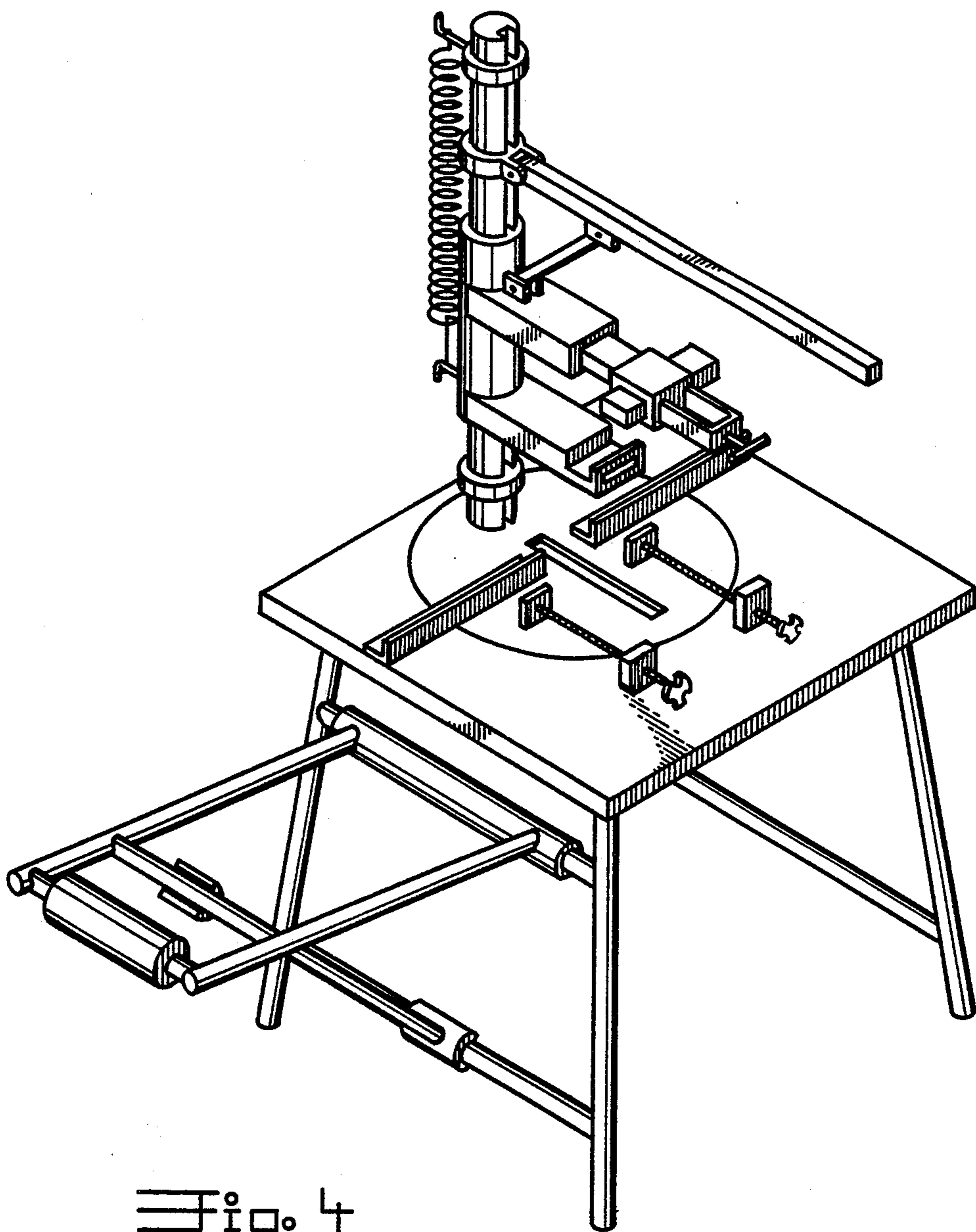


Fig. 4