

[54] **UNIVERSAL MILLING MACHINE**

[75] **Inventor: Josef Ritt, Oesterreich, Austria**

[73] **Assignee: Maier & Co., Austria**

[**] **Term: 14 Years**

[21] **Appl. No.: 881,016**

[22] **Filed: Jul. 1, 1986**

[30] **Foreign Application Priority Data**

Feb. 20, 1986 [AT] Austria 17633

[52] **U.S. Cl. D15/131**

[58] **Field of Search D15/131; 409/64, 80,
409/206, 219, 235**

[56] **References Cited**

U.S. PATENT DOCUMENTS

- D. 255,243 6/1980 Roch D15/131
D. 285,084 8/1986 Aldridge, Jr. D15/131

- D. 286,294 10/1986 Itoh D15/131
D. 292,589 11/1987 Roch et al. D15/131
3,555,963 1/1971 Evans 409/64
4,621,407 11/1986 Suzuki 409/235

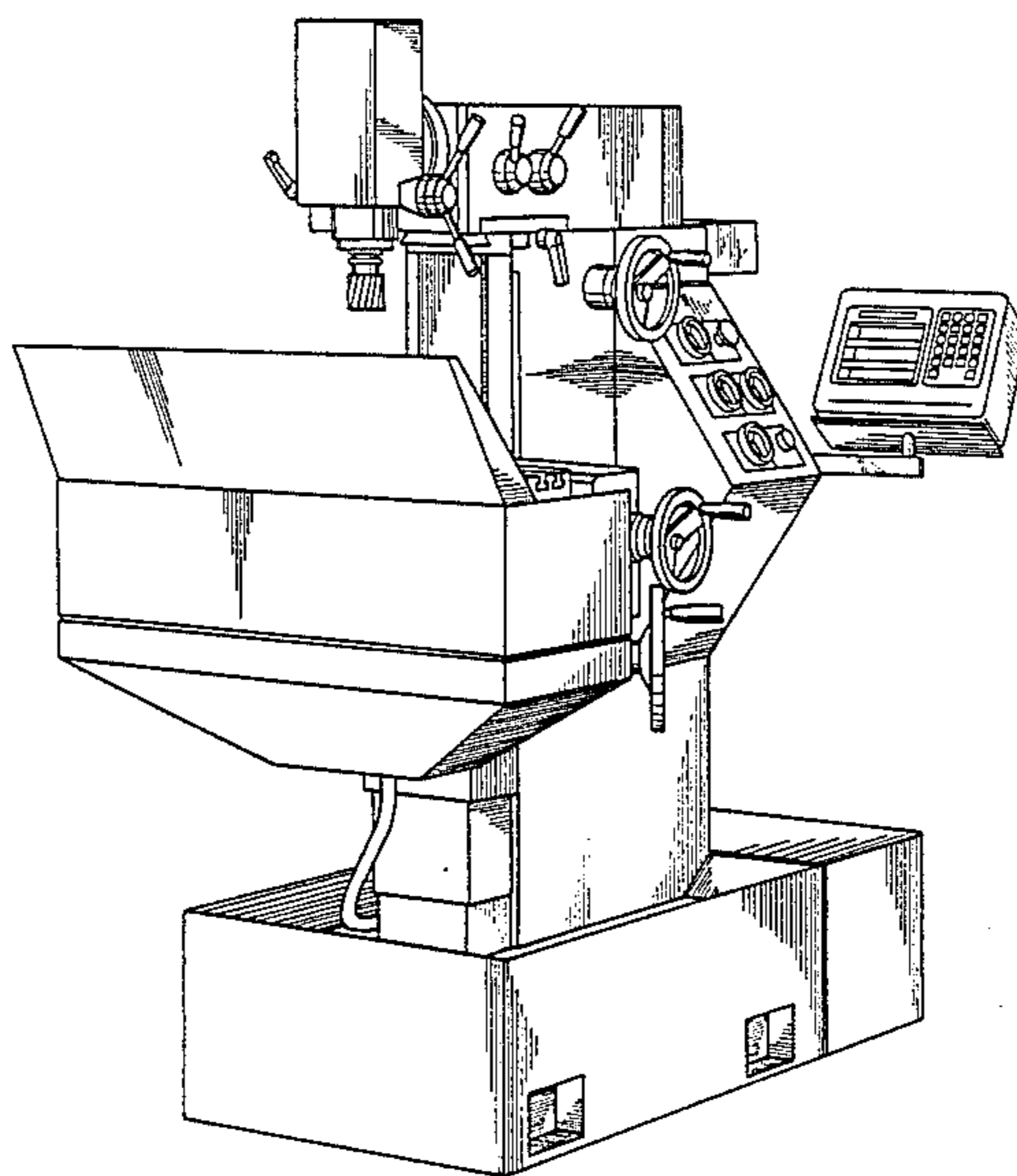
Primary Examiner—B. J. Bullock
Attorney, Agent, or Firm—McCormick, Paulding & Huber

[57] **CLAIM**

The ornamental design for a universal milling machine, as shown and described.

DESCRIPTION

FIG. 1 is a perspective view of a universal milling machine showing my new design; FIG. 2 is a right side view thereof; FIG. 3 is a left side view thereof; FIG. 4 is a front view thereof; FIG. 5 is a rear view thereof; and FIG. 6 is a top view thereof.



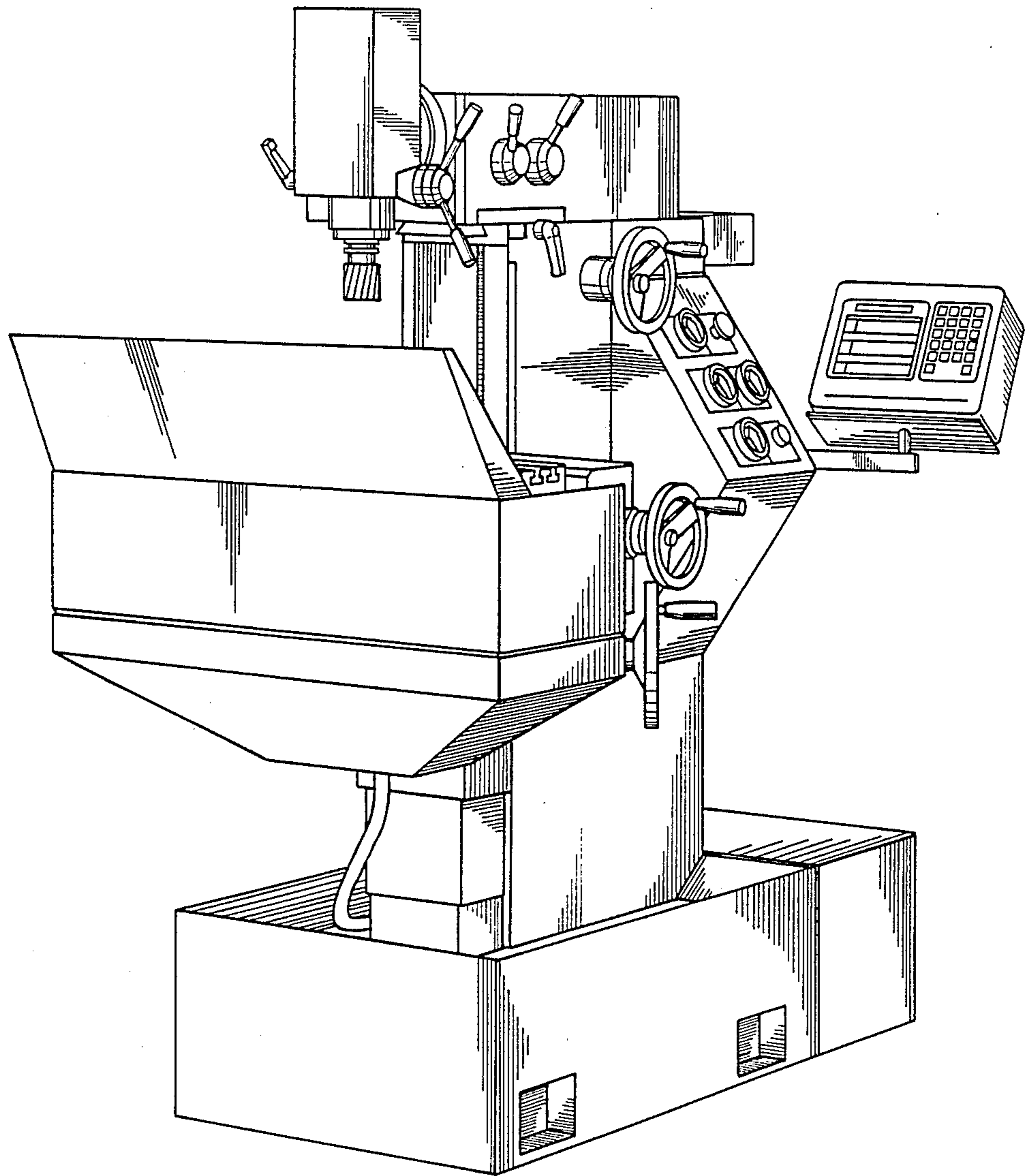


FIG. 1

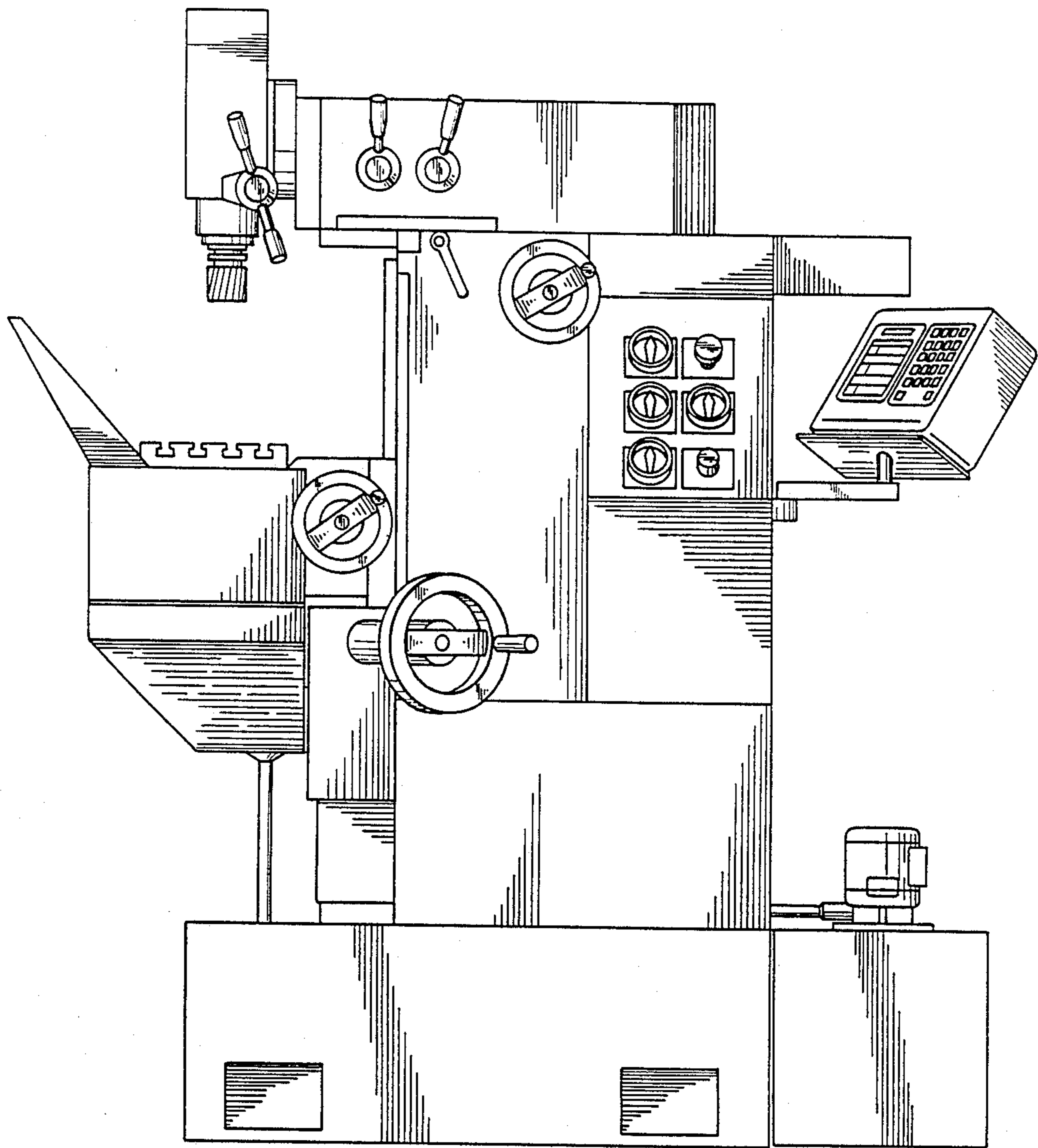


FIG. 2

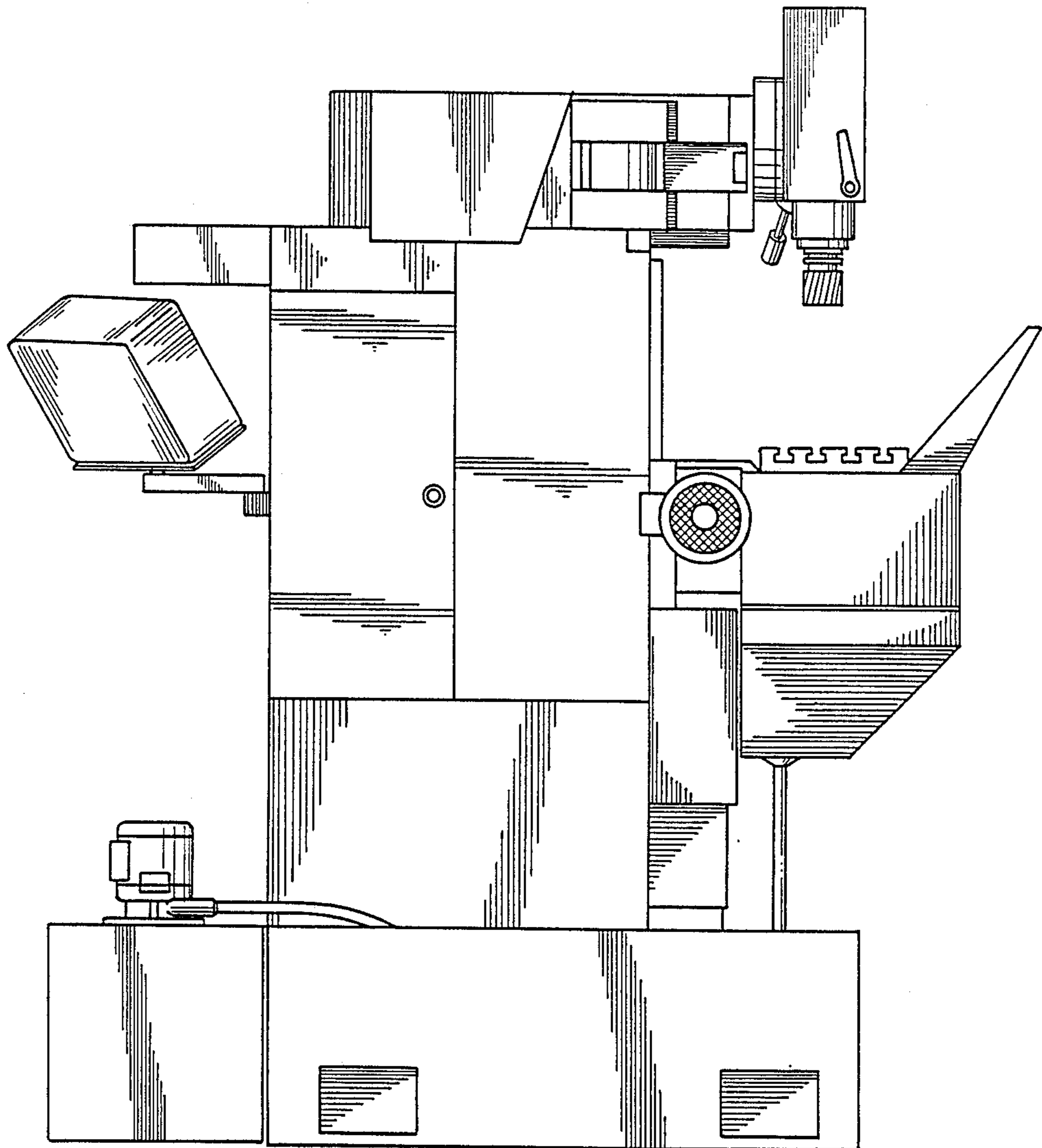


FIG. 3

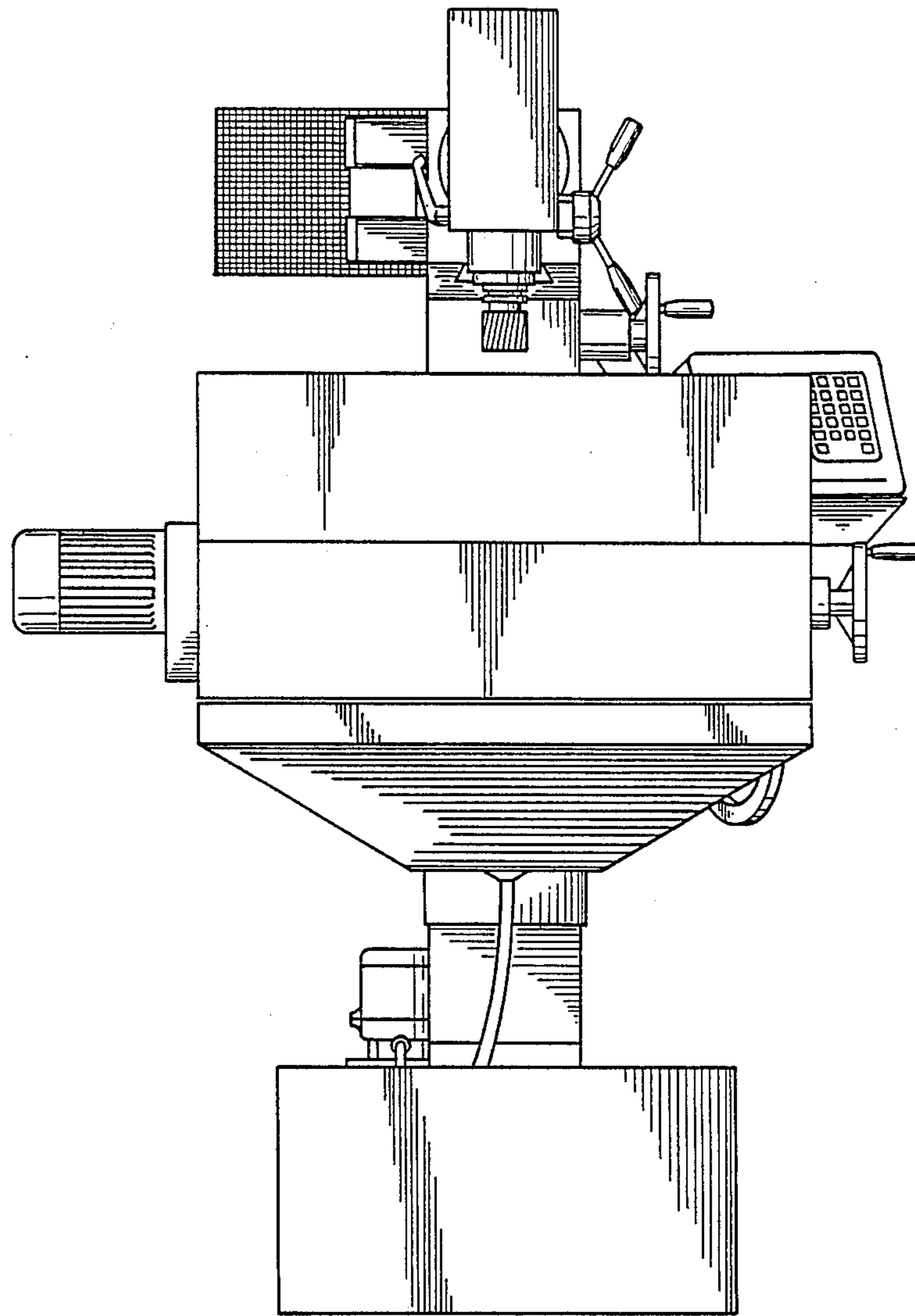


FIG. 4

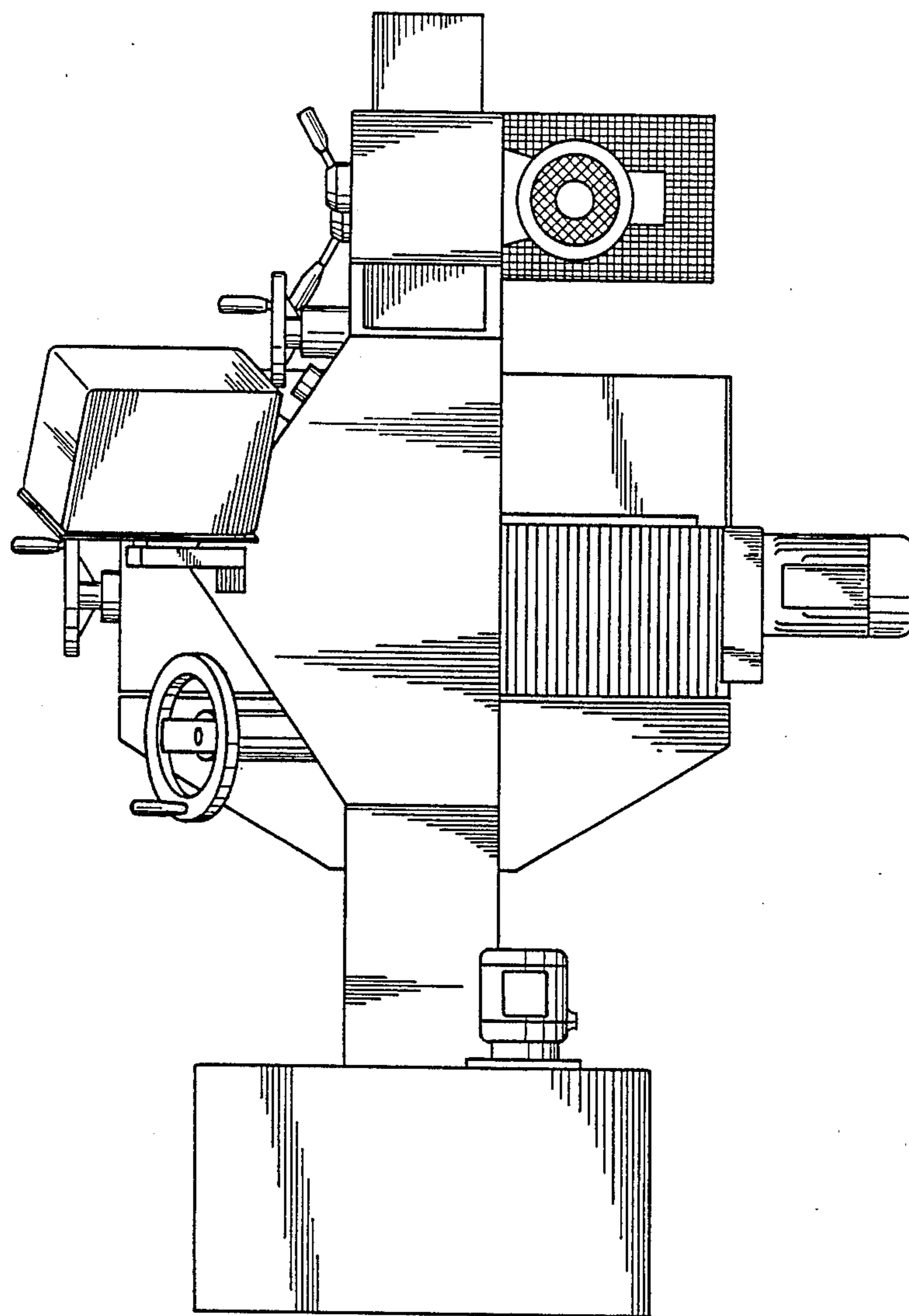


FIG. 5

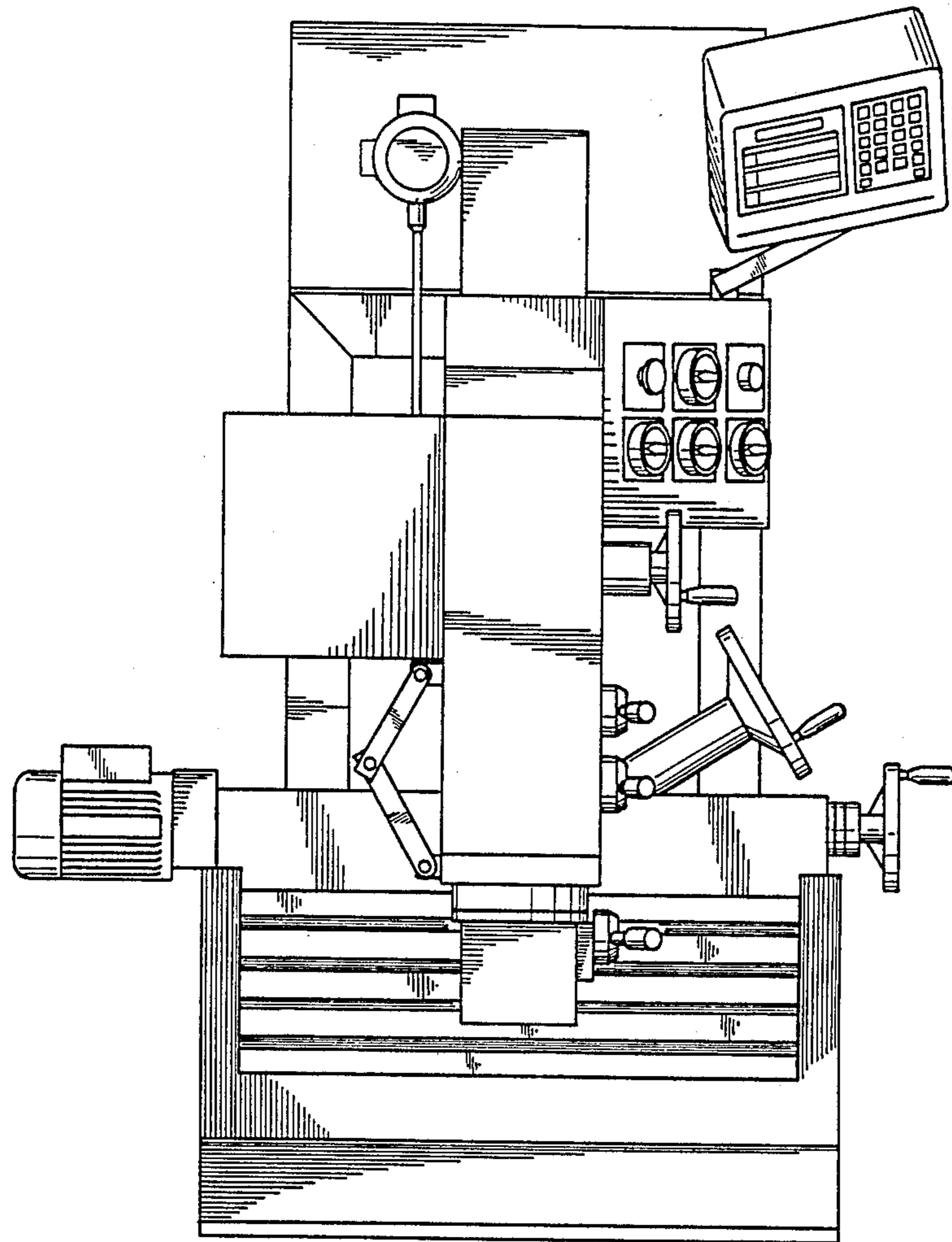


FIG. 6