

- [54] **POWER DRIVEN THREADING MACHINE**
- [75] **Inventors: Robert J. Hayes, Westlake; James C. Redman, Amherst, both of Ohio**
- [73] **Assignee: Emerson Electric Co., St. Louis, Mo.**
- [\*\*] **Term: 14 Years**
- [21] **Appl. No.: 763,203**
- [22] **Filed: Aug. 7, 1985**
- [52] **U.S. Cl. .... D15/130; D15/127**
- [58] **Field of Search ..... D15/127, 130; 10/89 C, 10/89 P; 82/4 C, 5; 408/178, 74**

**FOREIGN PATENT DOCUMENTS**

2503343 10/1978 Fed. Rep. of Germany .

**OTHER PUBLICATIONS**

The Ridgid Tool Company, catalog No. RT-580, Oct. 1982, pp. 33, 38, 39, 40, 42, 43 and front and back cover pages.

*Primary Examiner*—B. J. Bullock  
*Attorney, Agent, or Firm*—Body, Vickers & Daniels

[57] **CLAIM**

The ornamental design for a power driven threading machine, as shown and described.

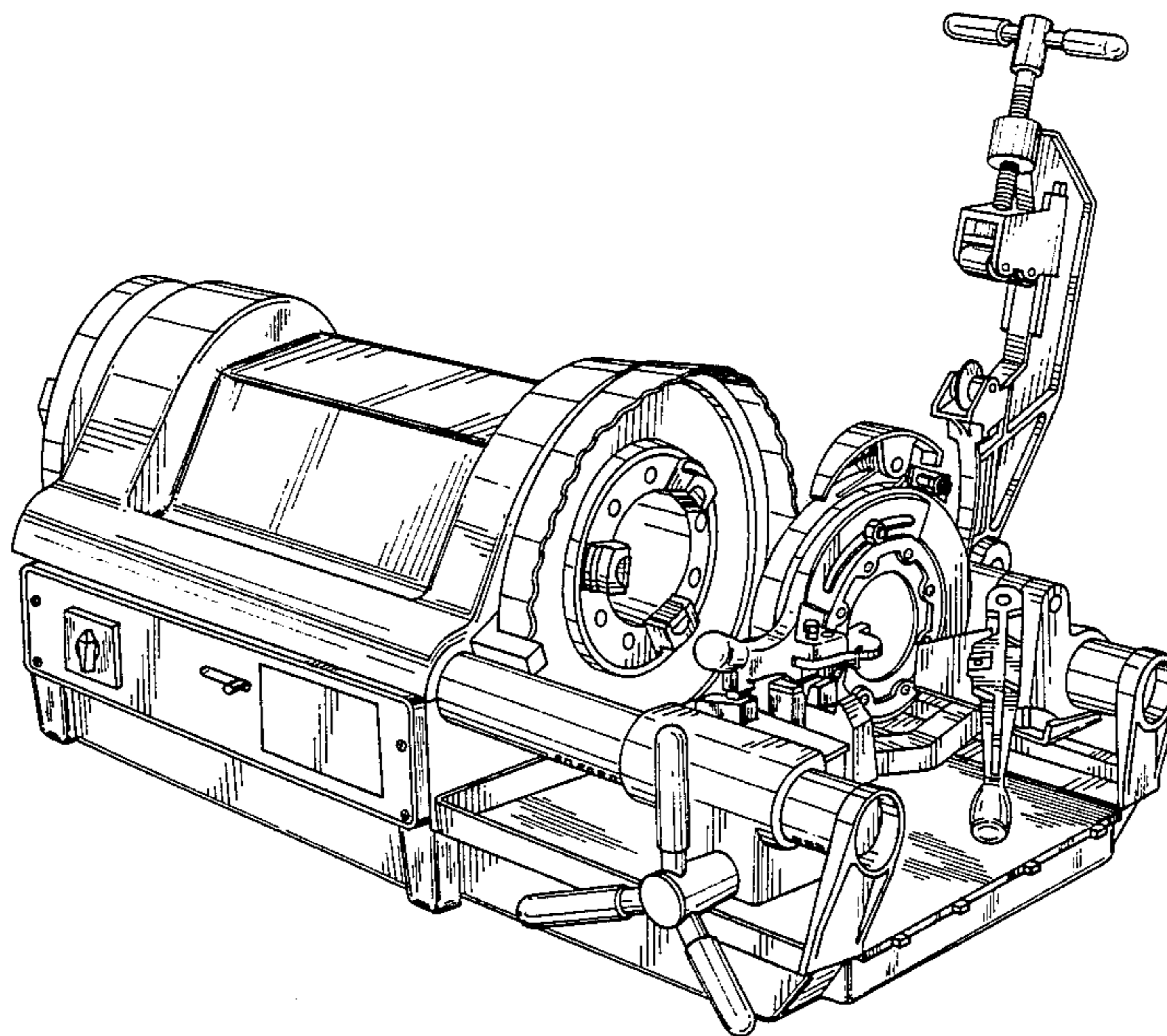
**DESCRIPTION**

FIG. 1 is a front elevational view of a power driven threading machine showing our new design;  
 FIG. 2 is rear elevational view thereof;  
 FIG. 3 is a top plan view thereof, the bottom being unornamented;  
 FIG. 4 is a right side elevational view thereof;  
 FIG. 5 is a left side elevational view thereof; and,  
 FIG. 6 is a perspective view thereof.

[56] **References Cited**

**U.S. PATENT DOCUMENTS**

D. 176,960	2/1956	Lindee .....	D15/130
1,673,979	6/1928	Hall .....	10/90
1,758,973	5/1930	Rasmussen .....	10/90
2,409,993	10/1946	Stupakoff .....	82/5
3,946,774	3/1976	McCord, Jr. ....	82/5
4,023,211	5/1977	Miyagawa .....	10/96 T
4,343,207	8/1982	Paysinger .....	82/4 C



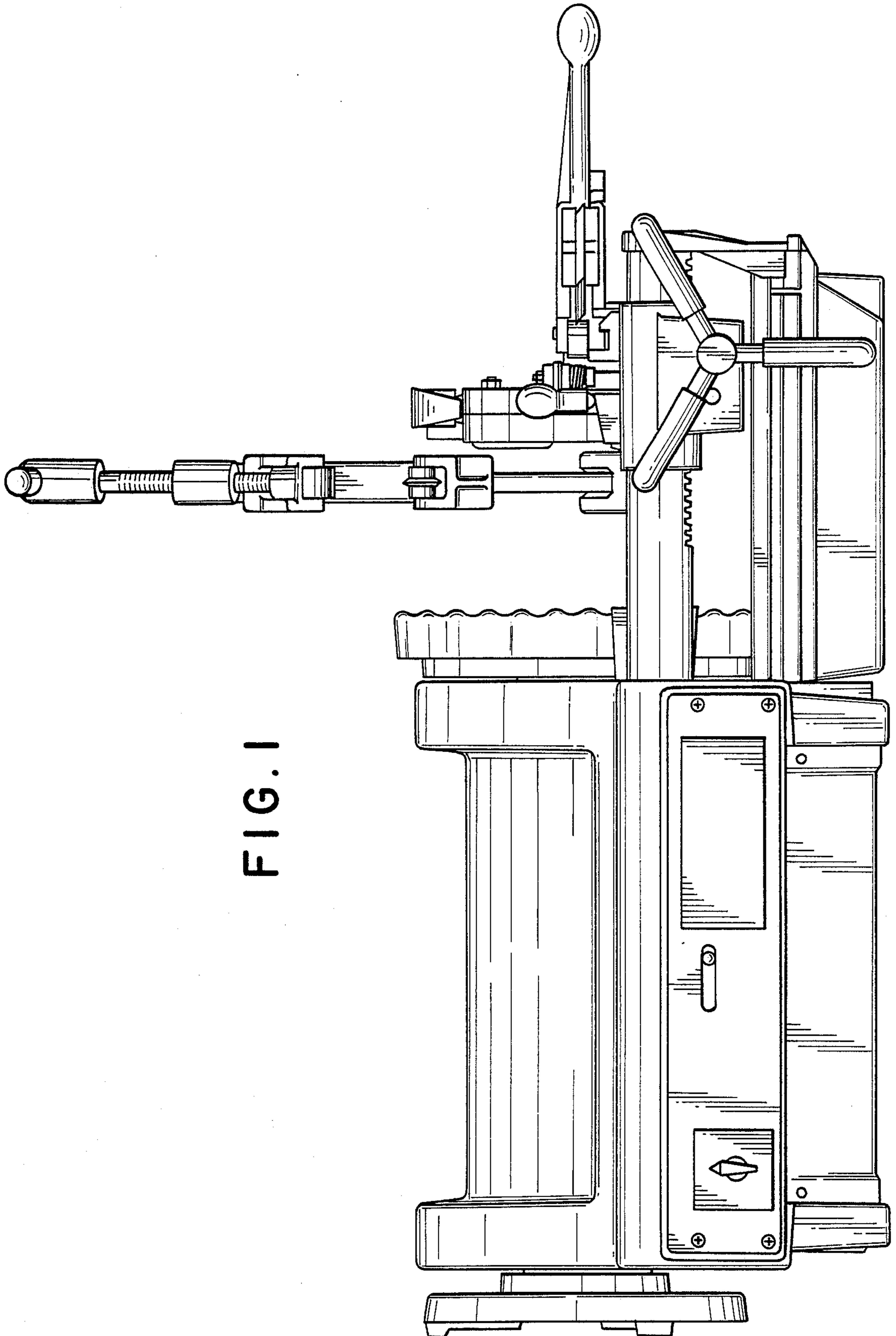
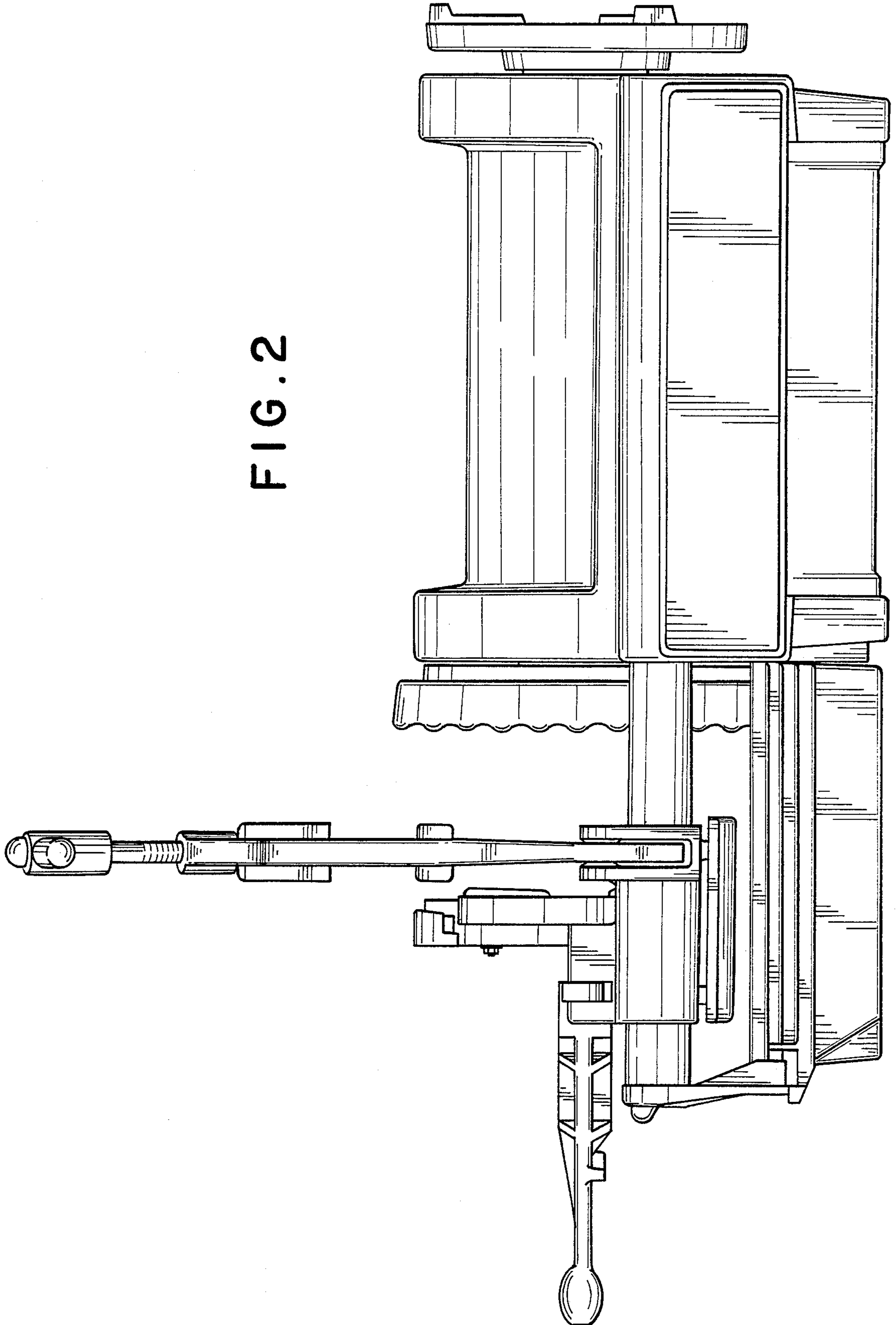


FIG. 1

FIG. 2



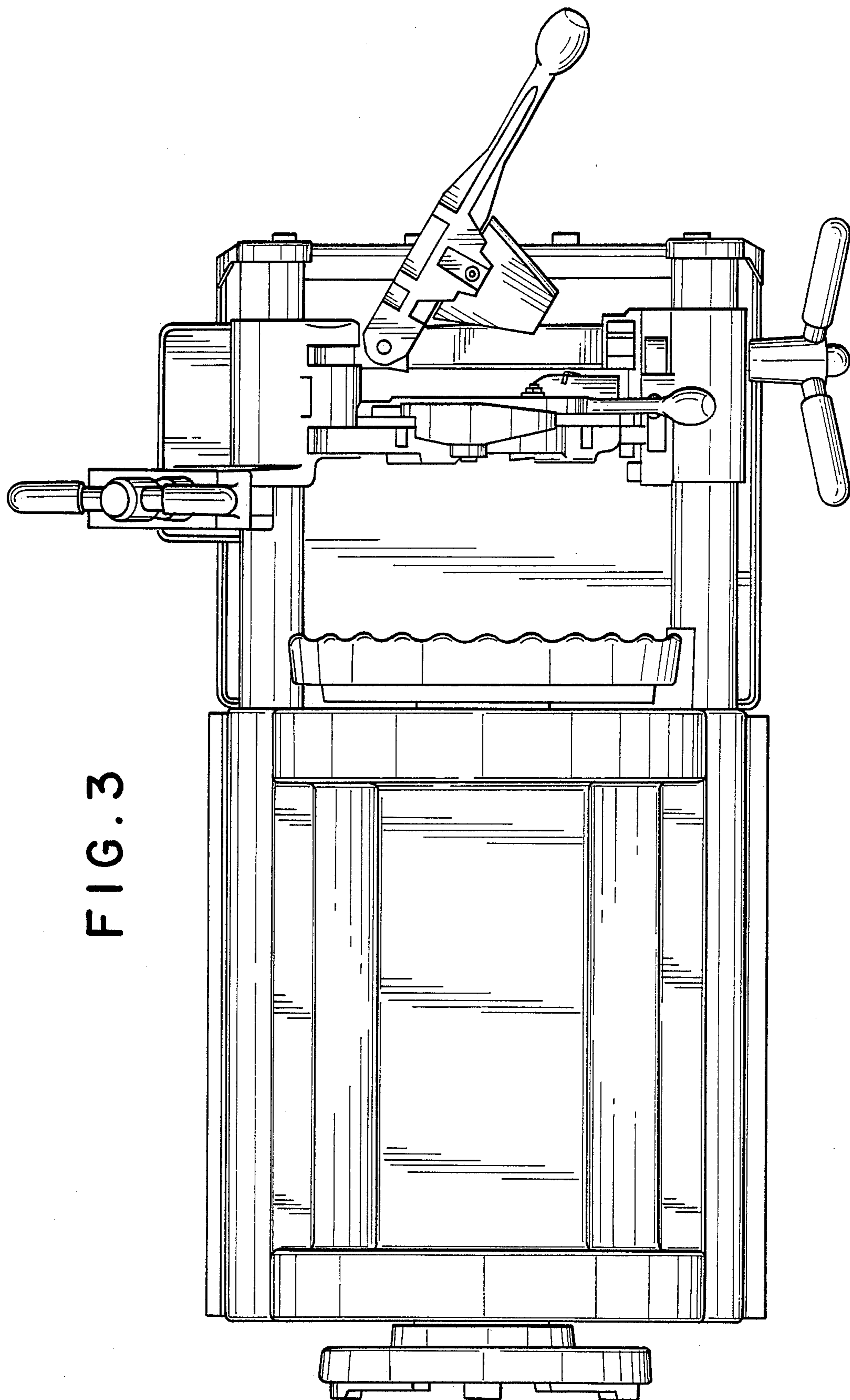
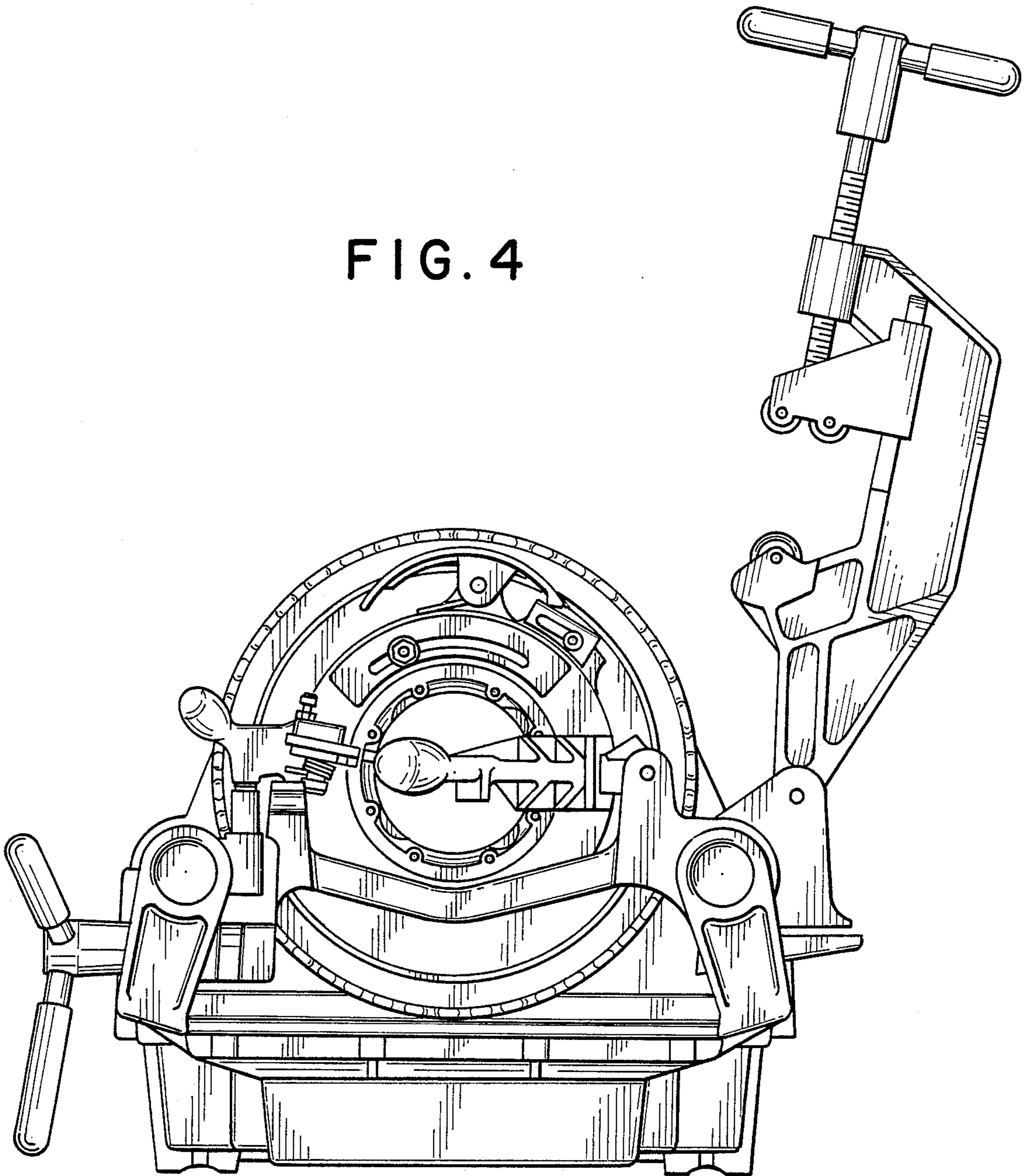
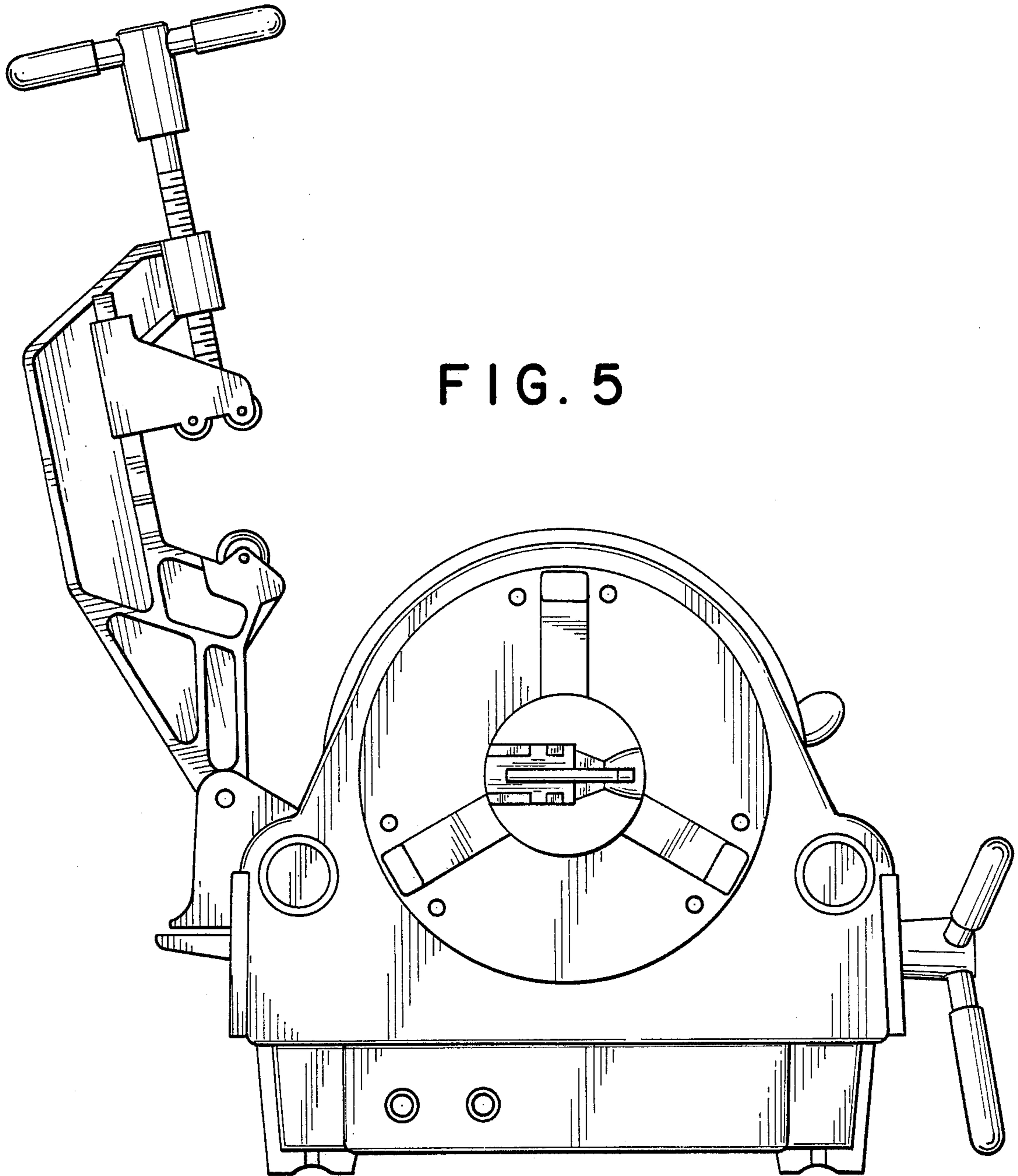


FIG. 3

FIG. 4





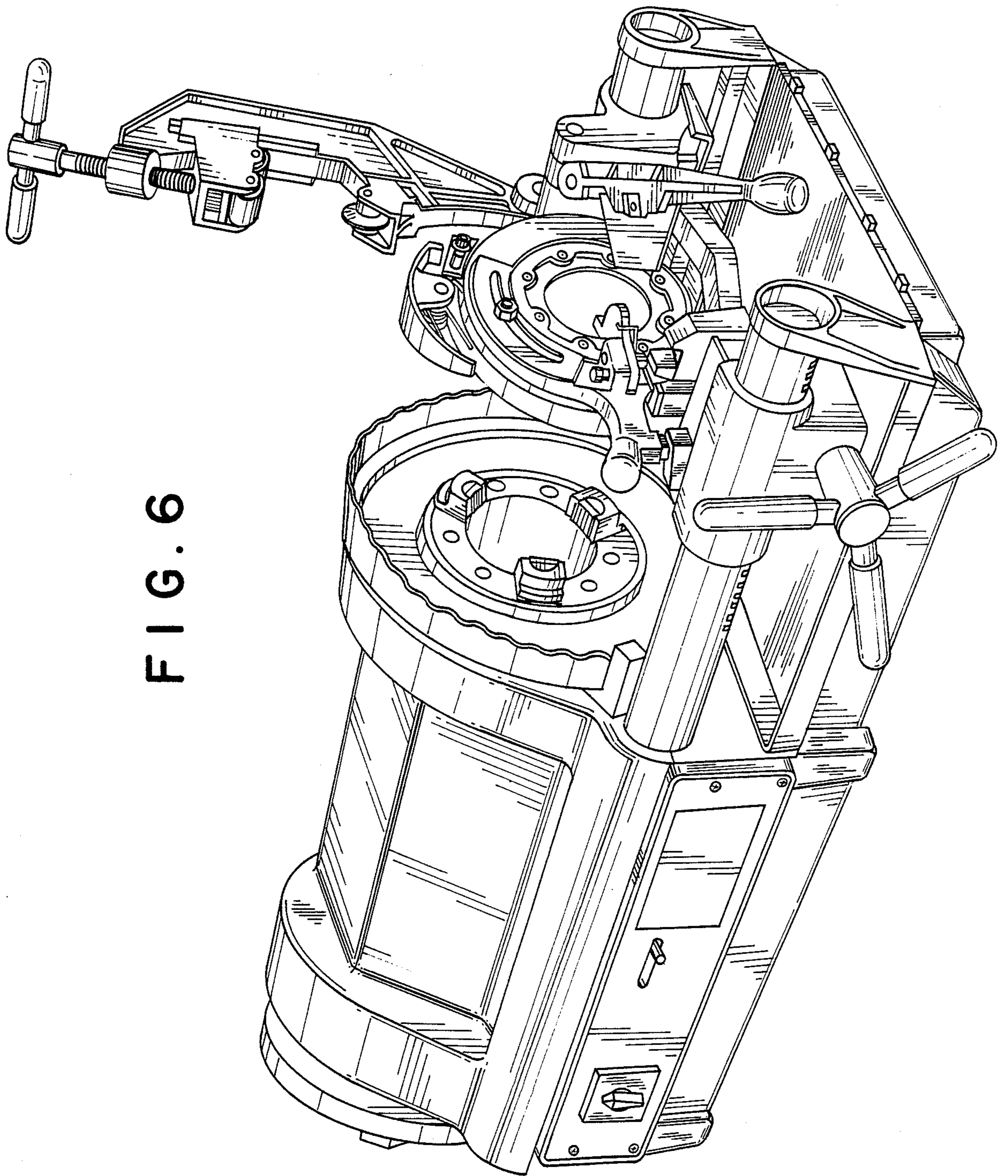


FIG. 6