

[54] HEADSET

[76] Inventor: Ng H. Kwong, Flat "Q", 8th Floor, Hopewell House, 175 Hip Wo Street, Kwun Tong, Kowloon, Hong Kong

[**] Term: 14 Years

[21] Appl. No.: 774,533

[22] Filed: Sep. 10, 1985

[30] Foreign Application Priority Data

Mar. 18, 1985 [GB] United Kingdom 1025600

[52] U.S. Cl. D14/205

[58] Field of Search D14/30-37, D14/39; 181/129; 379/430, 444; 381/158, 183, 187

[56] References Cited

U.S. PATENT DOCUMENTS

- D. 70,272 6/1926 Gaar D14/35
- D. 270,634 9/1983 Ungar D14/36
- D. 289,289 4/1987 Wojcik et al. D14/36 X

4,588,868 5/1986 Bertagna et al. 181/129 X

OTHER PUBLICATIONS

Crutchfield Home Stereo catalog, Jun. 1982, p. 71, bottom left—Mura Redset VII.

DAK Industries, Inc. Fall 1984 catalog, p. 57, top left.

Primary Examiner—Bernard Ansher

Assistant Examiner—Theodore M. Shooman

Attorney, Agent, or Firm—Young & Thompson

[57] CLAIM

The ornamental design for a headset, as shown.

DESCRIPTION

FIG. 1 is a front elevational view of a headset showing my new design;

FIG. 2 is a rear elevational view thereof;

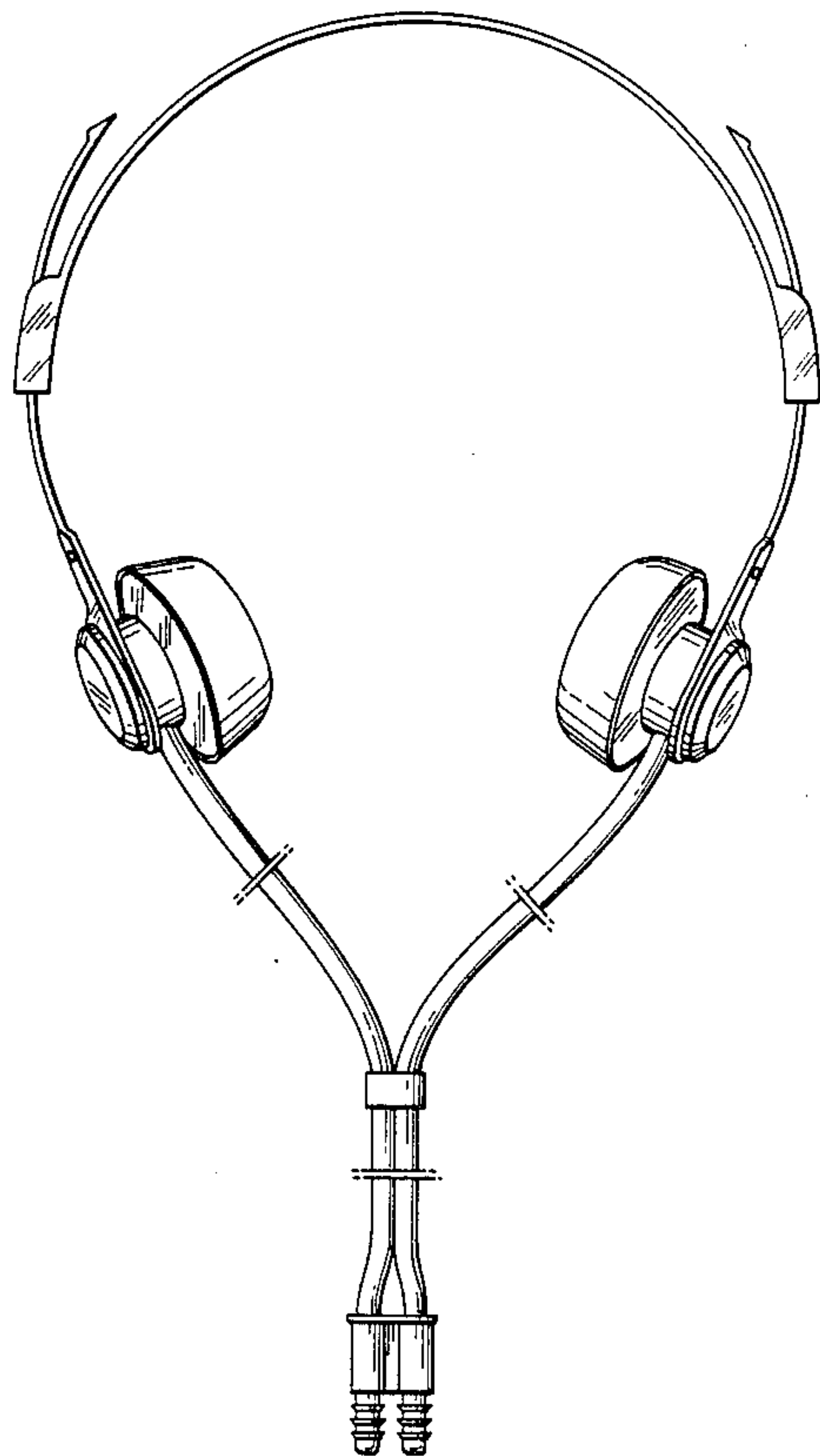
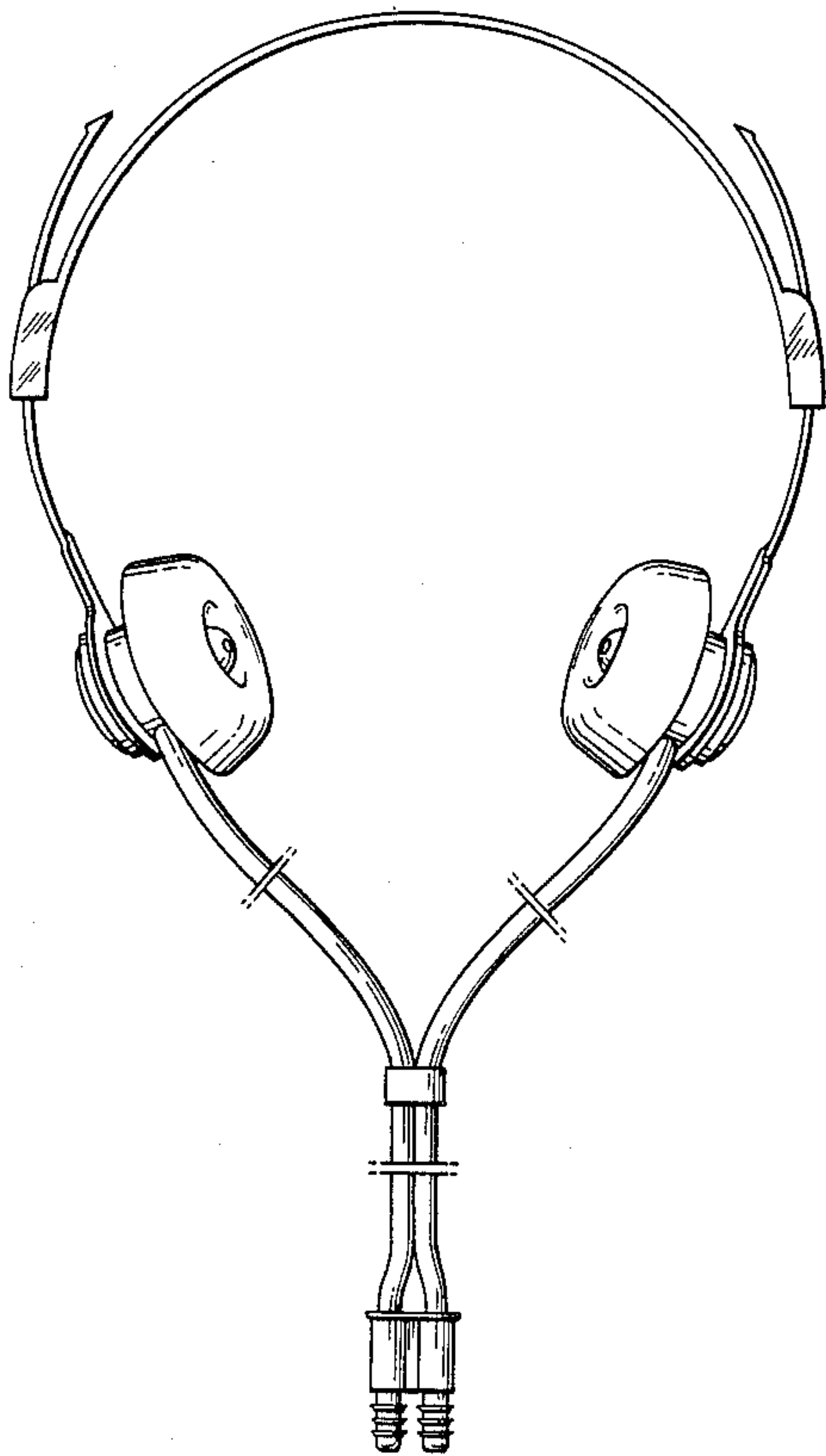
FIG. 3 is a top plan view thereof;

FIG. 4 is a bottom plan view thereof;

FIG. 5 is a left side elevational view thereof;

FIG. 6 is a right side elevational view thereof; and

FIG. 7 is a sectional view thereof, taken along the line 7—7 of FIG. 6.



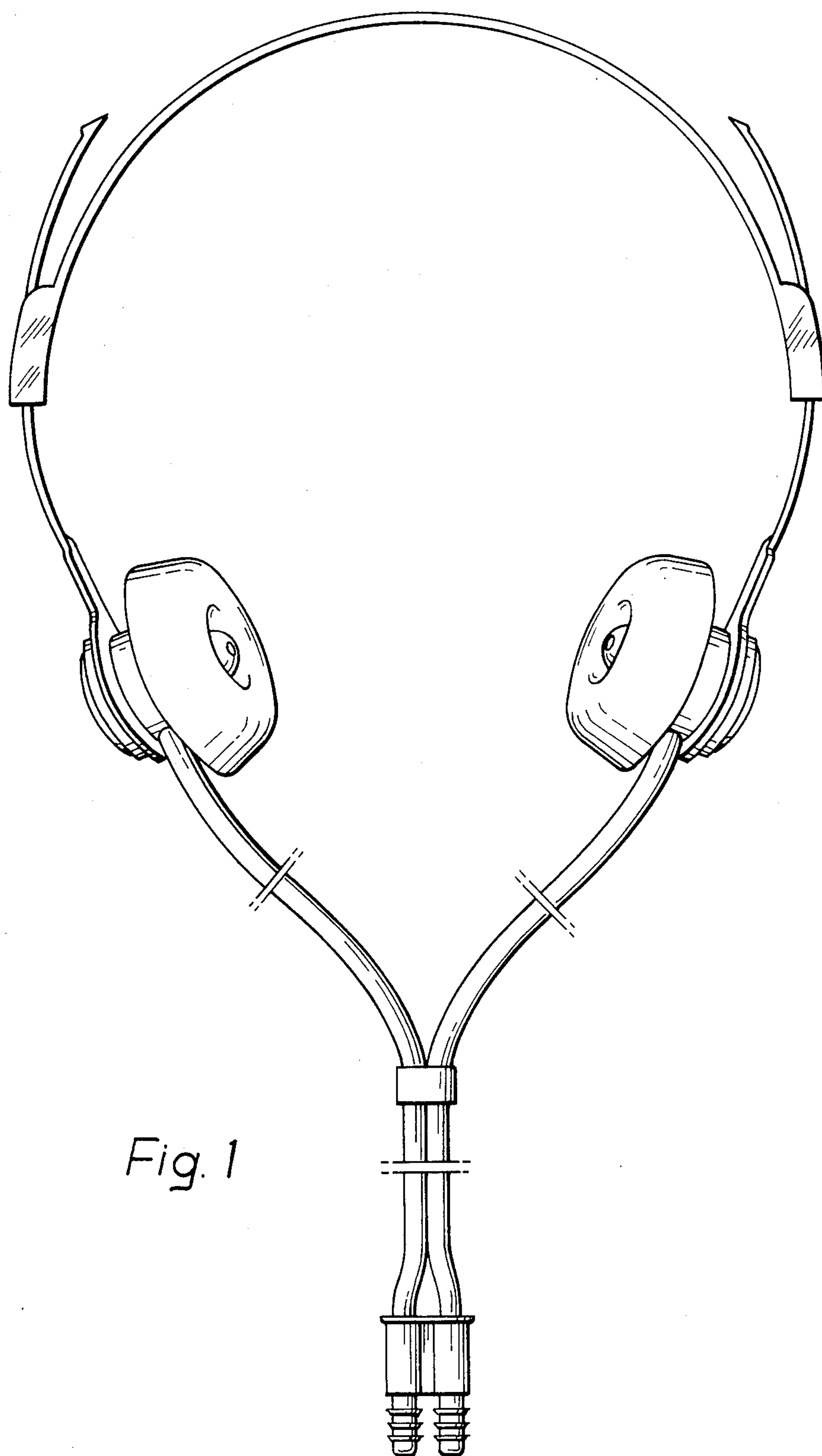


Fig. 1

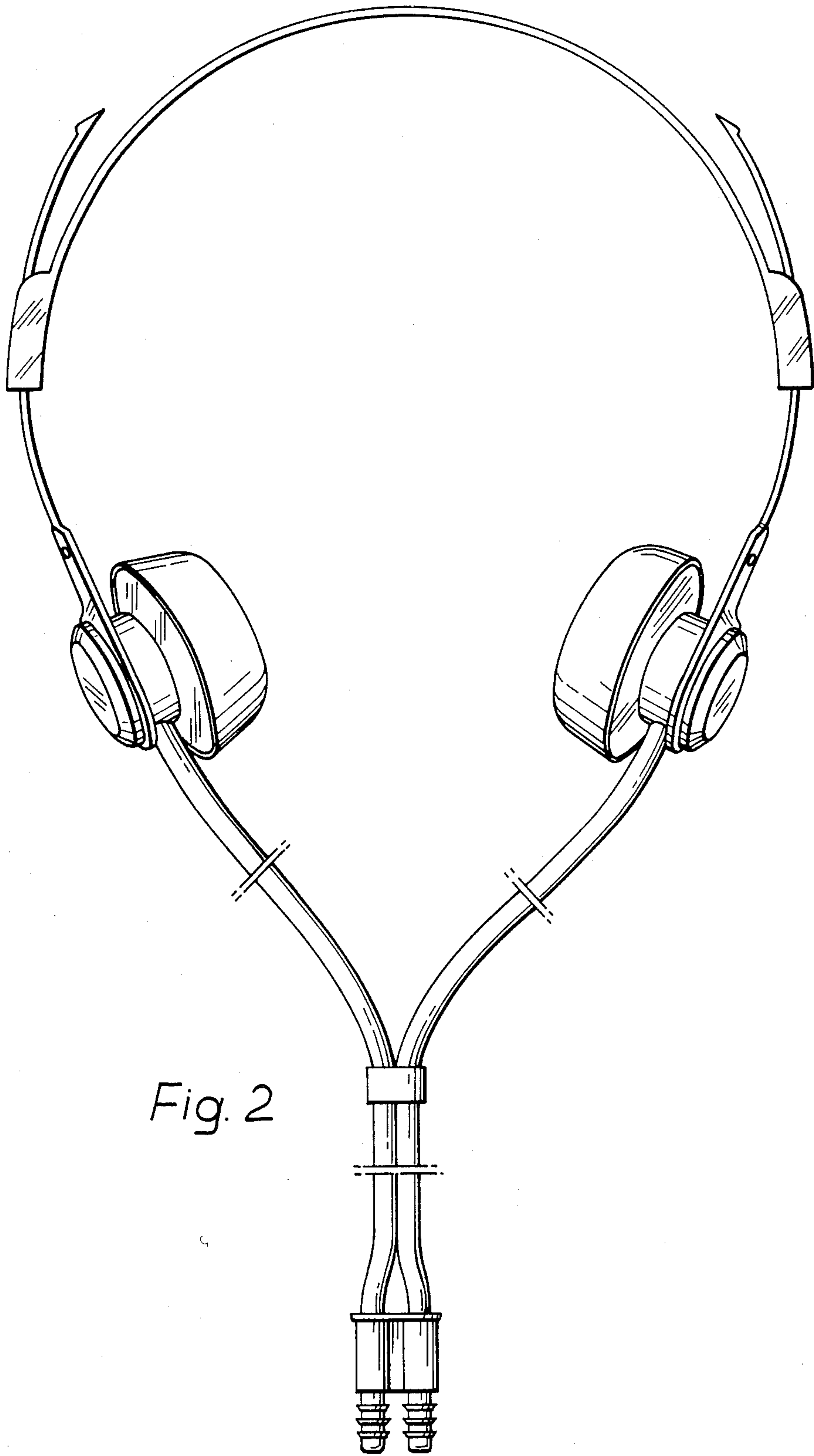


Fig. 2

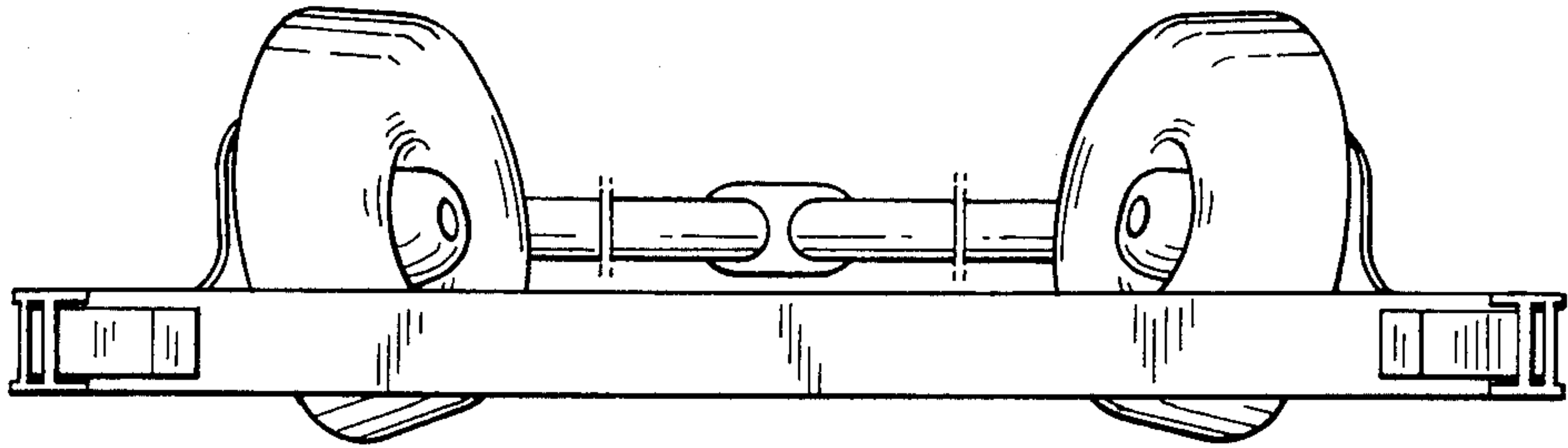


Fig. 3

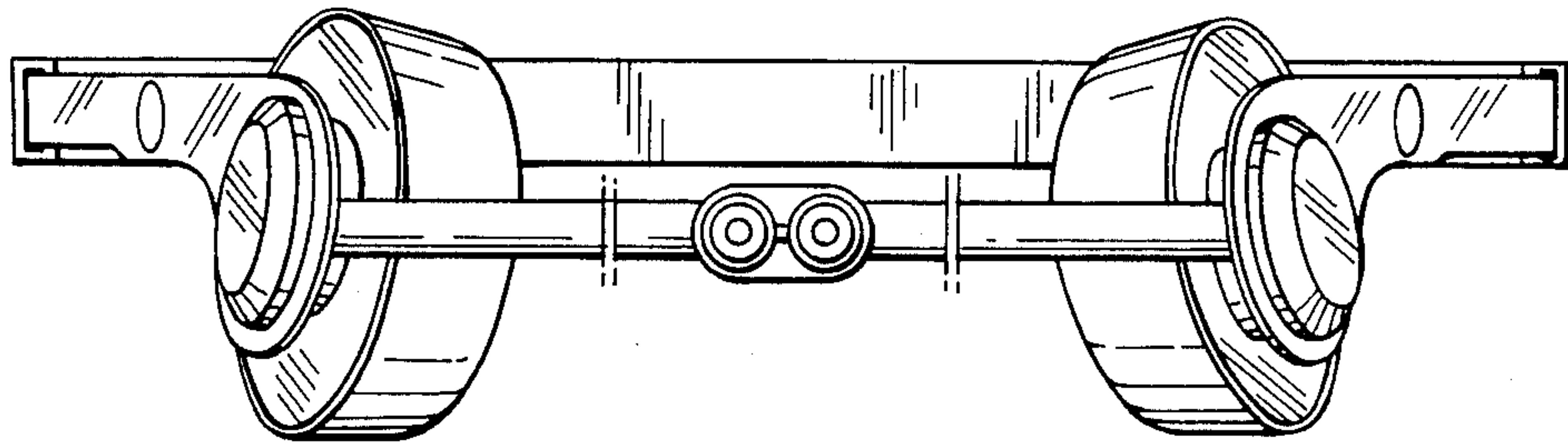


Fig. 4

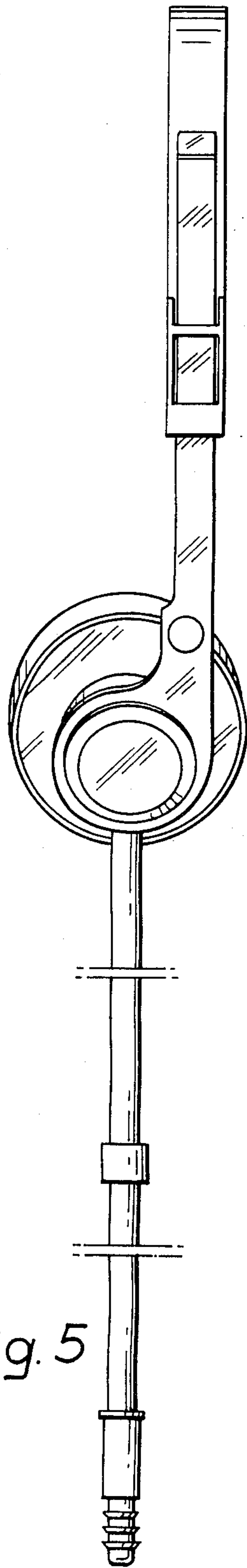


Fig. 5

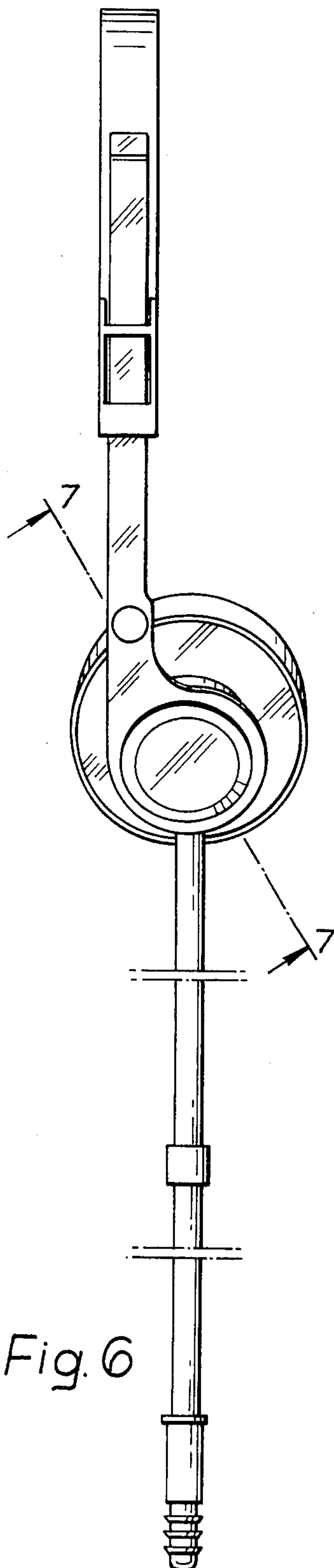


Fig. 6

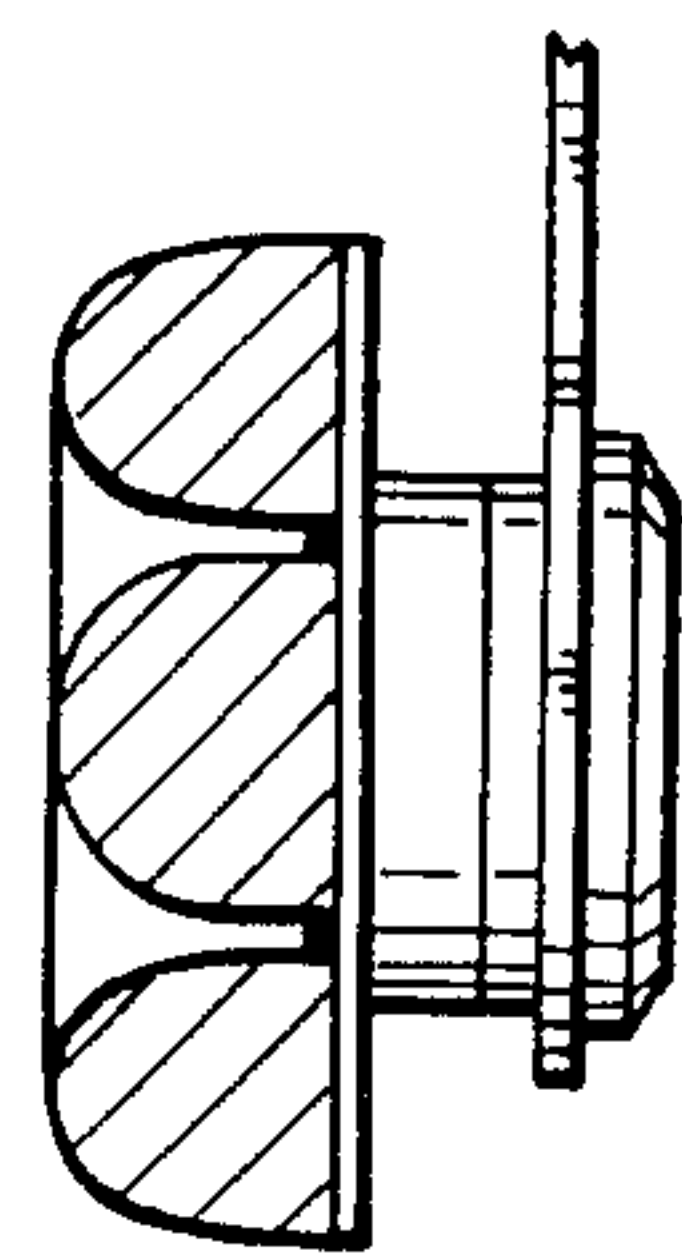


Fig. 7

UNITED STATES PATENT AND TRADEMARK OFFICE
CERTIFICATE OF CORRECTION

PATENT NO. : Des. No. 299,454
DATED : January 17, 1989
INVENTOR(S) : Huen Kwong Ng

It is certified that error appears in the above-identified patent and that said Letters Patent is hereby corrected as shown below:

On The Title page, Item [19] "Kwong" should read -- Ng --.
Item [76] "Ng H. Kwong" should read

-- Huen Kwong Ng --.

**Signed and Sealed this
Fourth Day of July, 1989**

Attest:

Attesting Officer

DONALD J. QUIGG

Commissioner of Patents and Trademarks