

[54] GUITAR BODY

[76] Inventor: James W. Brunet, 215 Vann St.,
Syracuse, N.Y. 13206

[**] Term: 14 Years

[21] Appl. No.: 733,325

[22] Filed: May 13, 1985

[52] U.S. Cl. D17/20; D17/14

[58] Field of Search D17/14, 15, 17, 18,
D17/19, 20, 21, 99; 84/1.16, 267, 291, 293

[56] References Cited

U.S. PATENT DOCUMENTS

- D. 181,865 1/1958 McCarty D17/14
- D. 203,301 12/1965 Frazier D17/14
- 3,072,007 1/1963 Burke D17/14 X
- 4,359,923 11/1982 Brunet 84/293 X

OTHER PUBLICATIONS

"American Guitars" by Tom Wheeler, ©1982, p. 80.

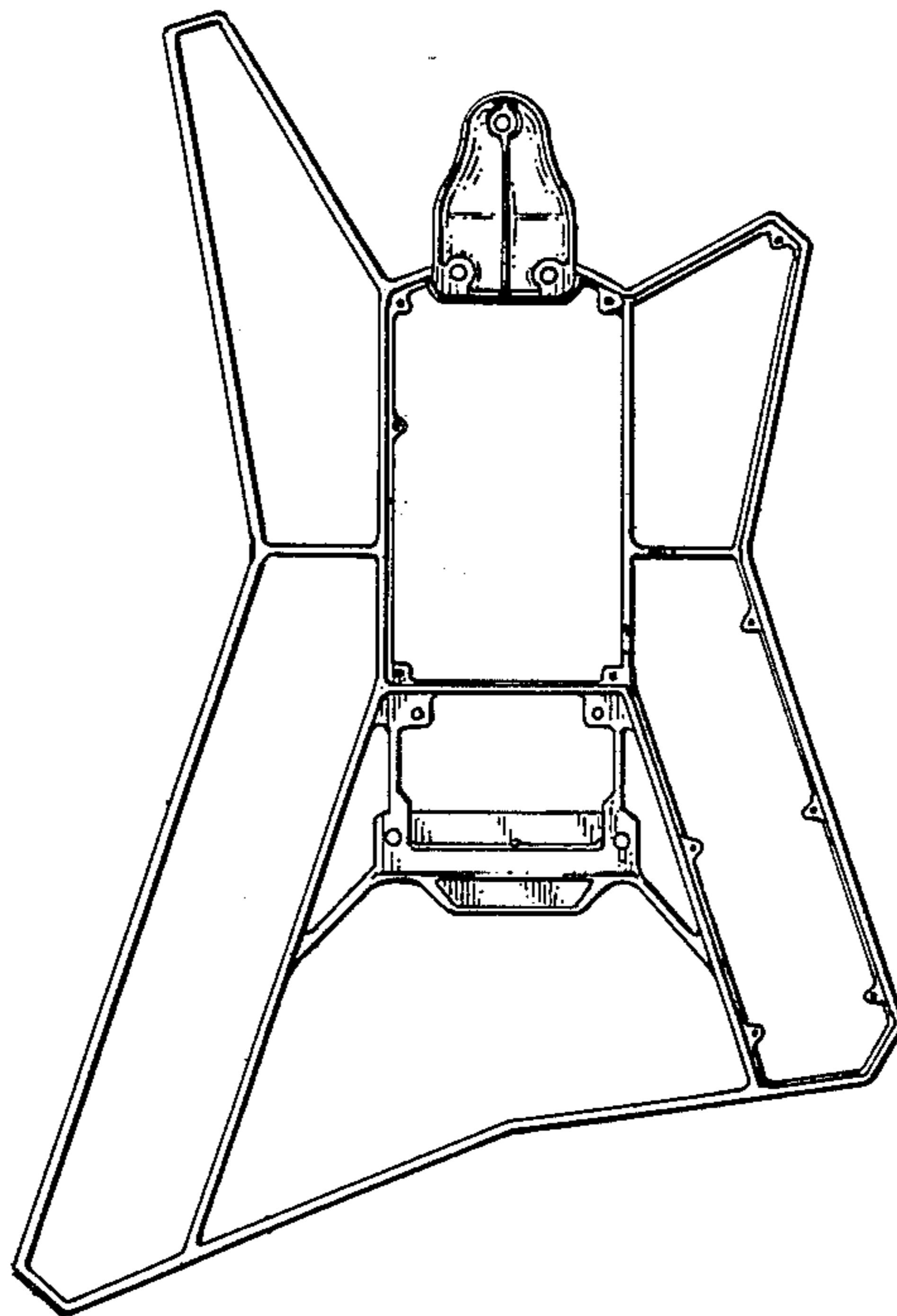
Primary Examiner—Bernard Ansher
Assistant Examiner—Theodore M. Shooman
Attorney, Agent, or Firm—Charles S. McGuire

[57] CLAIM

The ornamental design for guitar body, as shown and described.

DESCRIPTION

FIG. 1 is a top plan view of a guitar body showing my new design;
 FIG. 2 is an enlarged top plan view thereof;
 FIG. 3 is an enlarged right side elevational view thereof;
 FIG. 4 is an enlarged front elevational view thereof;
 FIG. 5 is an enlarged bottom plan view thereof;
 FIG. 6 is an enlarged left side elevational view thereof;
 and
 FIG. 7 is an enlarged rear elevational view thereof.
 The broken line showing of the guitar neck, head, and strings in FIG. 1 is for illustrative purposes only and forms no part of the claimed design.



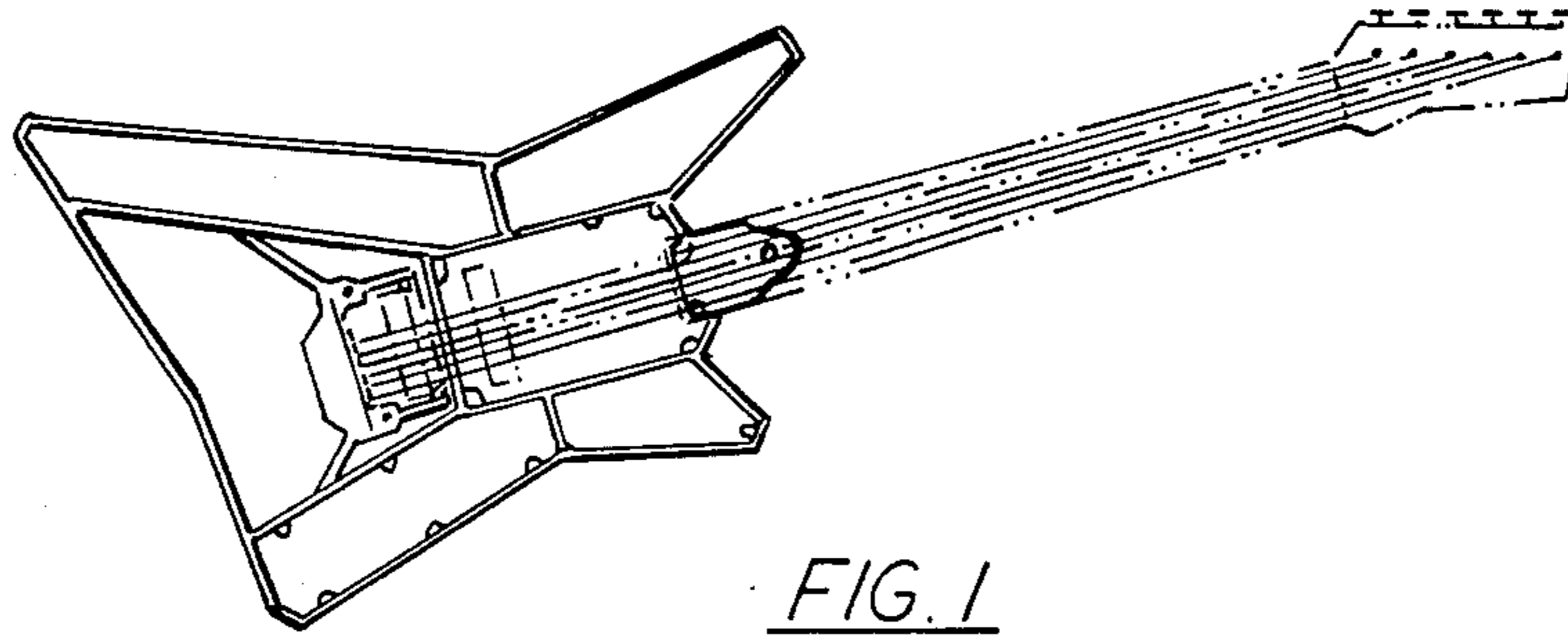


FIG. 1

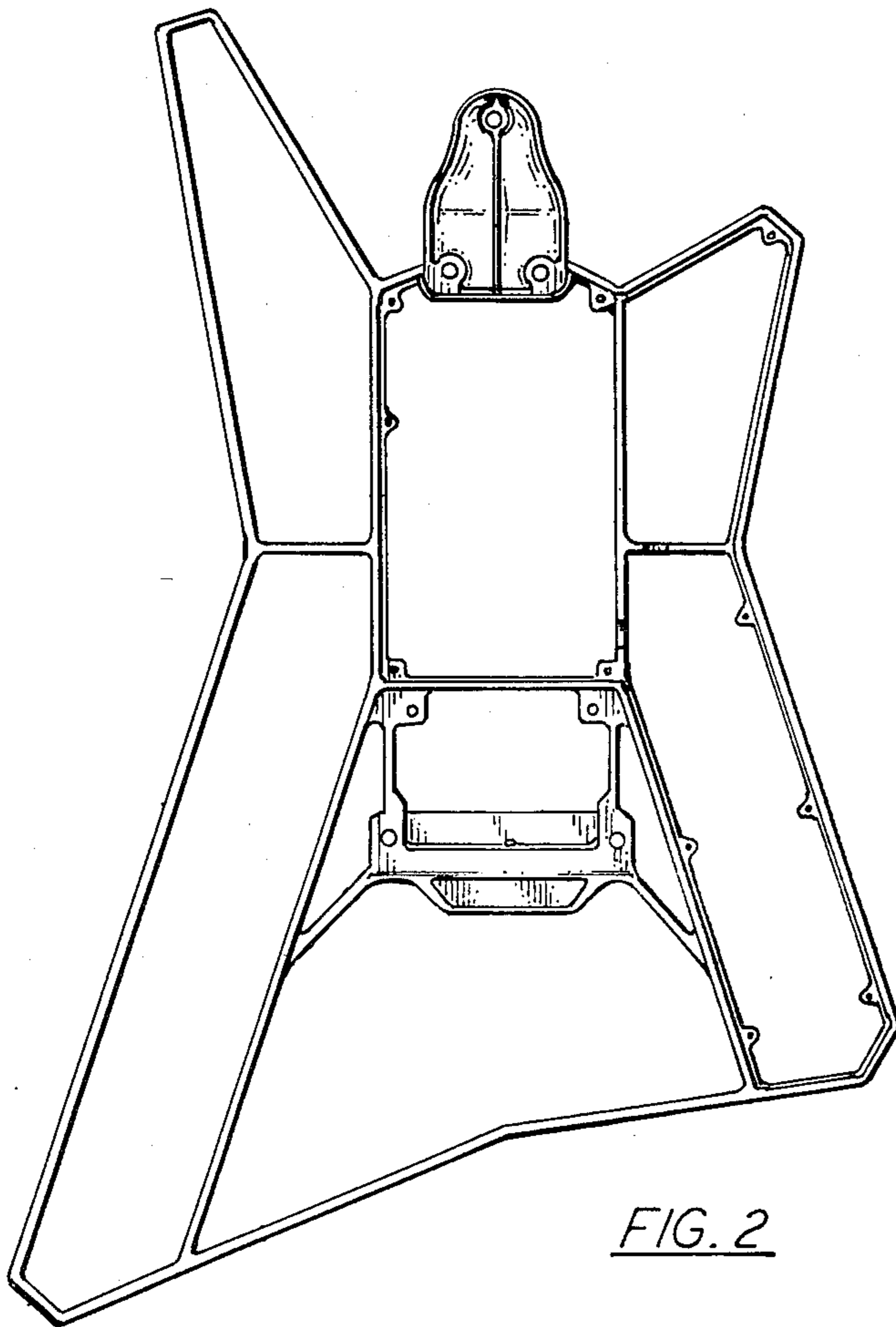


FIG. 2



FIG. 3



FIG. 4



FIG. 7

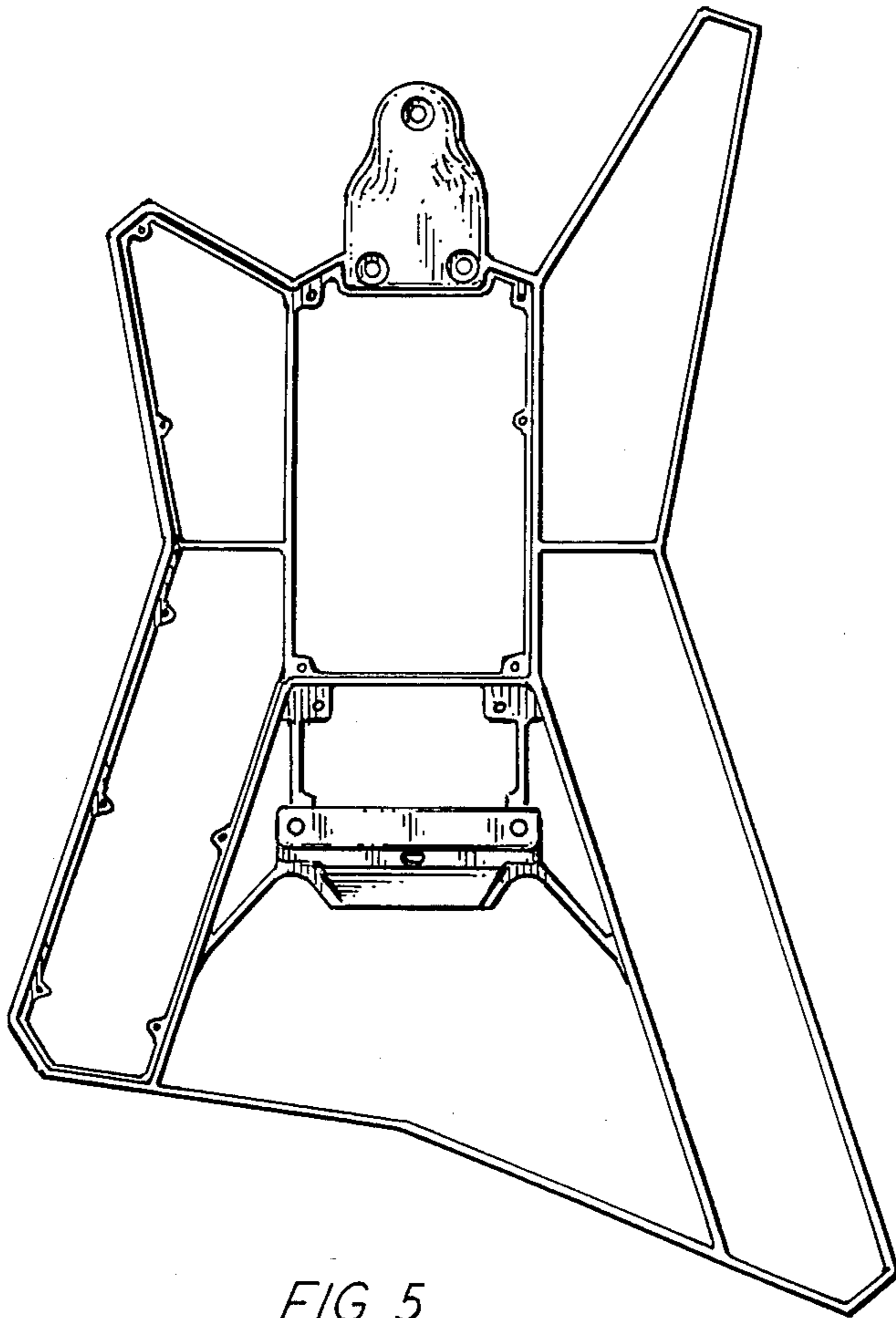


FIG. 5



FIG. 6