

[54] **BICYCLE PEDAL**

[75] **Inventor: Yoshiya Chounan, Souka, Japan**

[73] **Assignee: Sakae Ringyo Co., Ltd., Japan**

[\*\*] **Term: 14 Years**

[21] **Appl. No.: 837,362**

[22] **Filed: Mar. 6, 1986**

[52] **U.S. Cl. .... D12/125**

[58] **Field of Search ..... D12/125; 74/594.4**

[56] **References Cited**

**U.S. PATENT DOCUMENTS**

D. 292,075 9/1987 Kiyota ..... D12/125

**FOREIGN PATENT DOCUMENTS**

1002513 10/1951 France ..... 74/594.1

**OTHER PUBLICATIONS**

American Bicyclist & Motorcyclist, 11/83, p. 39, Tung Pao Pedal, center of page.

*Primary Examiner*—James M. Gandy  
*Attorney, Agent, or Firm*—Lowe, Price, LeBlanc Becker & Shur

[57] **CLAIM**

The ornamental design for a bicycle pedal, as shown.

**DESCRIPTION**

FIG. 1 is a perspective view of a bicycle pedal;  
FIG. 2 is a front elevation view;  
FIG. 3 is a left side elevation view;  
FIG. 4 is a right side elevation view;  
FIG. 5 is a bottom plan view;  
FIG. 6 is a back elevation view;  
FIG. 7 is a top plan view.

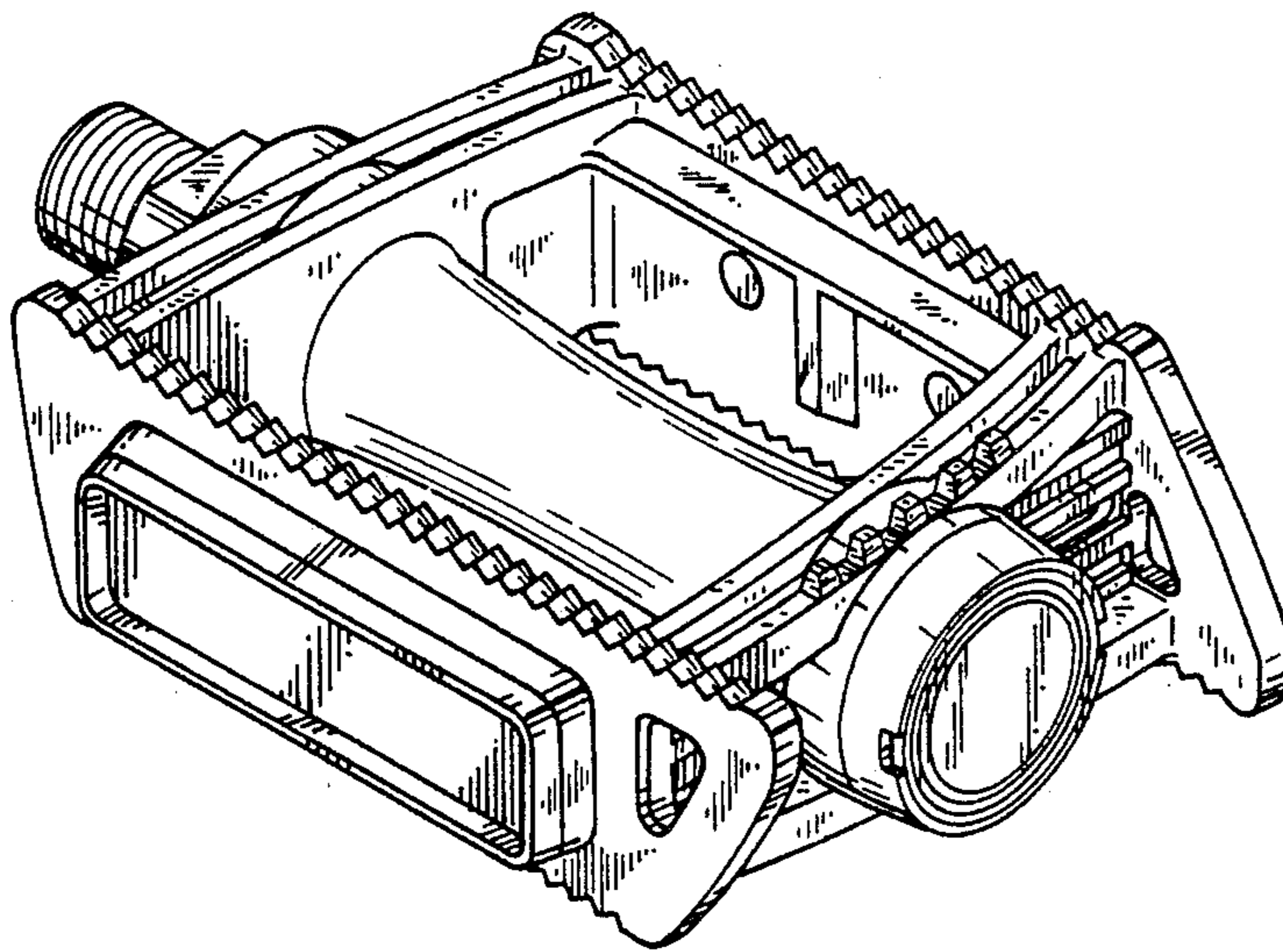


FIG. 1

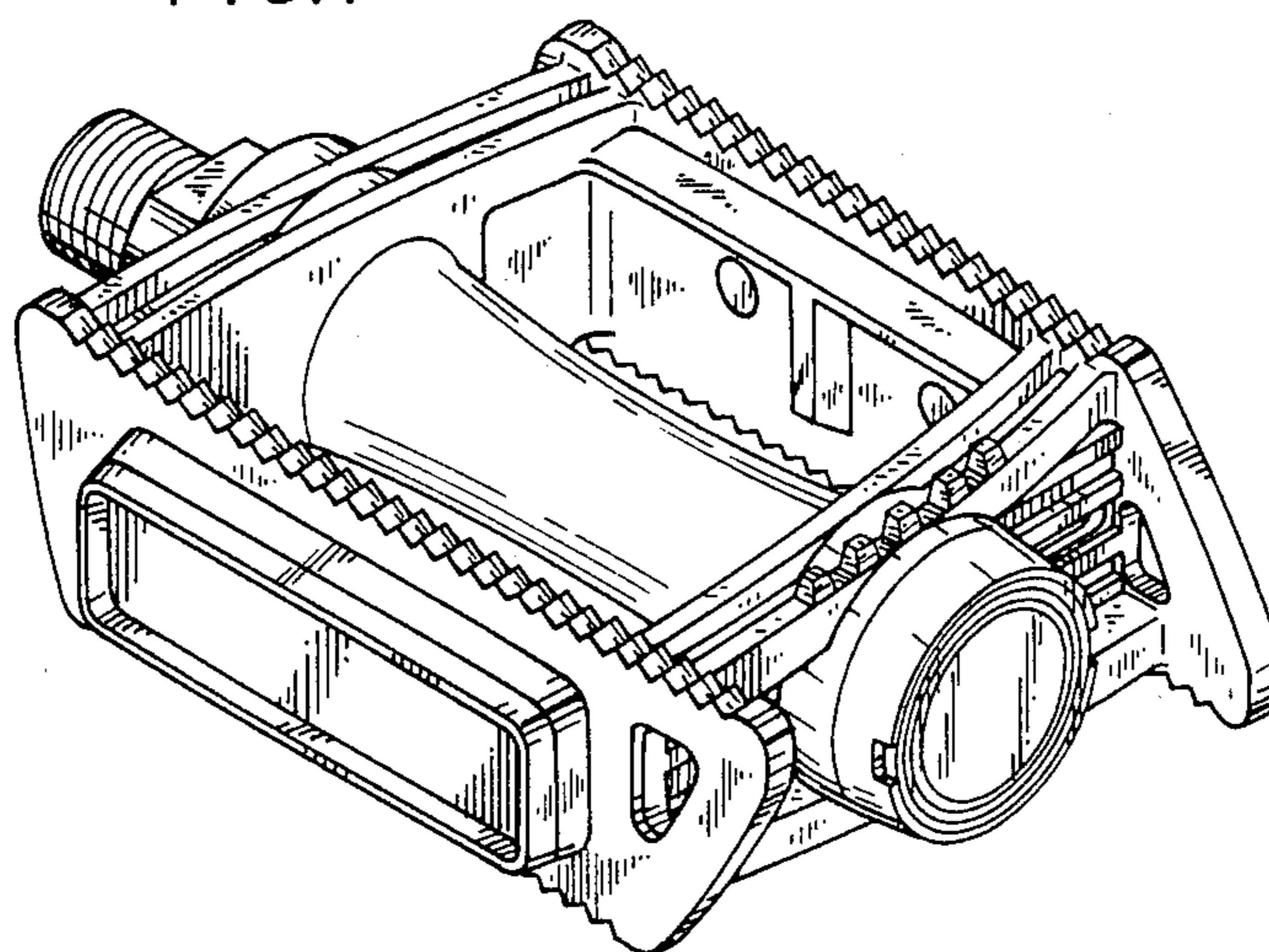


FIG. 2

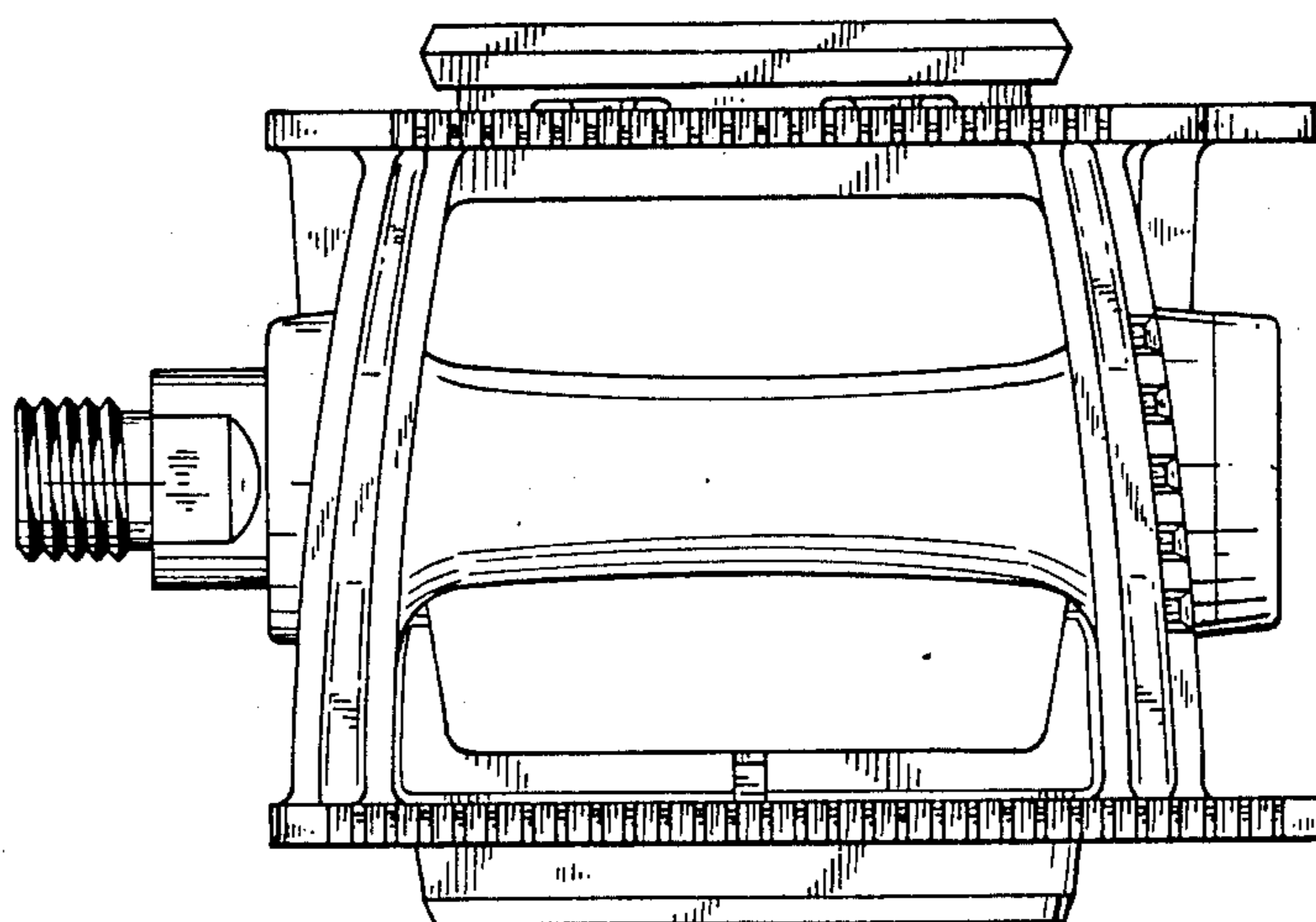


FIG.3

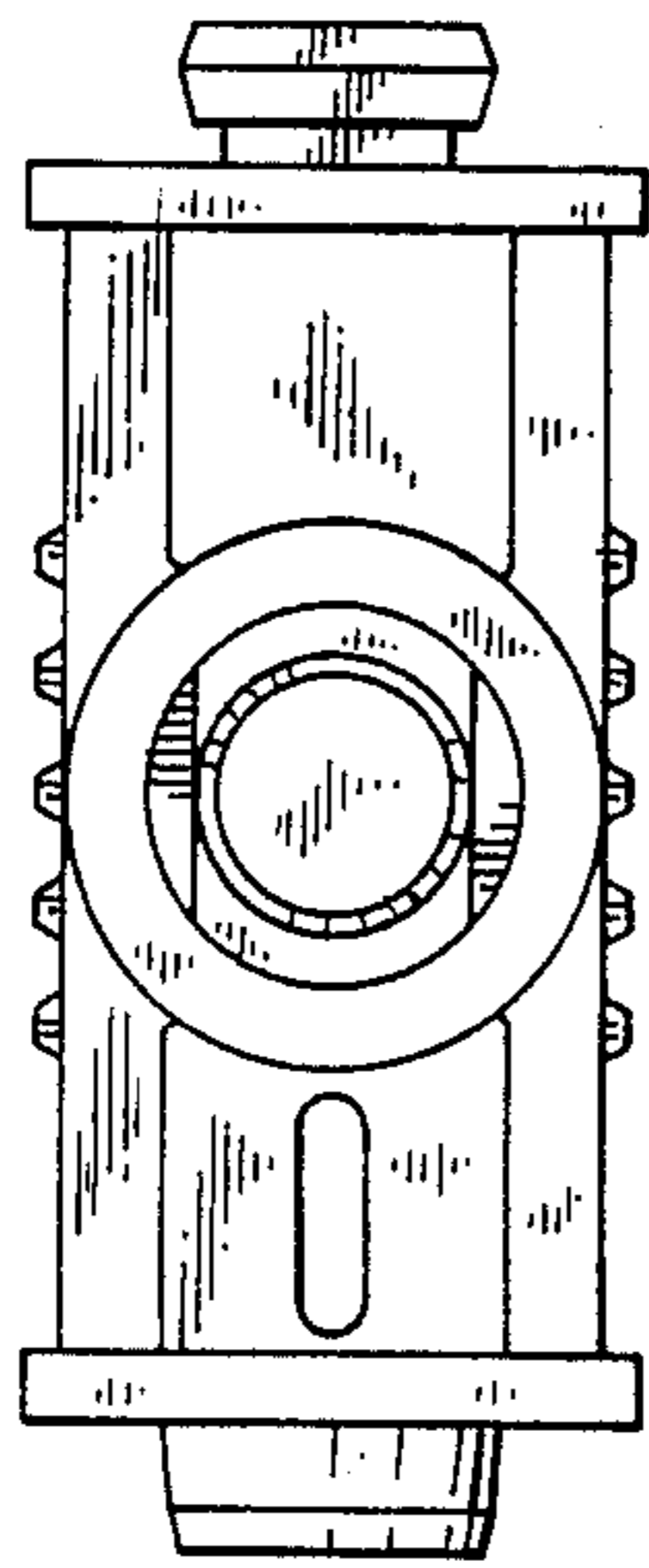


FIG.4

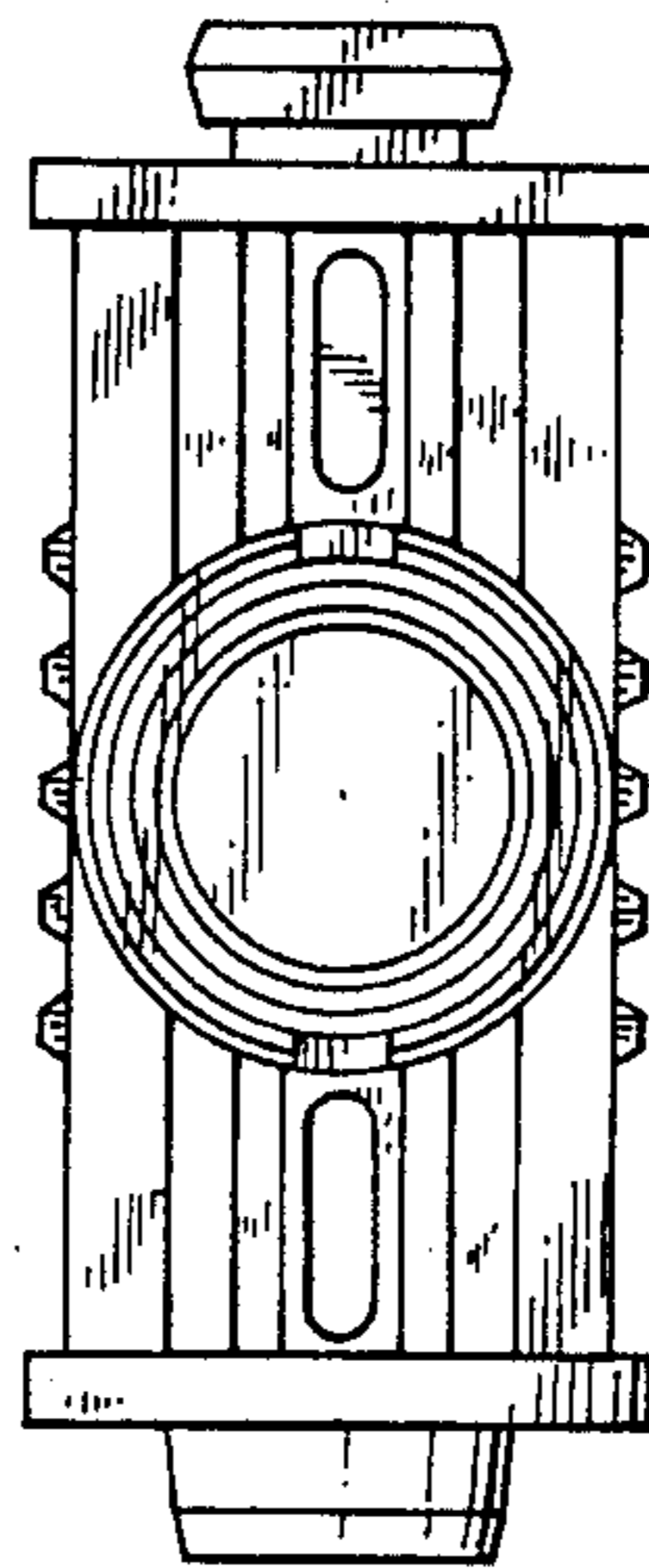


FIG.5

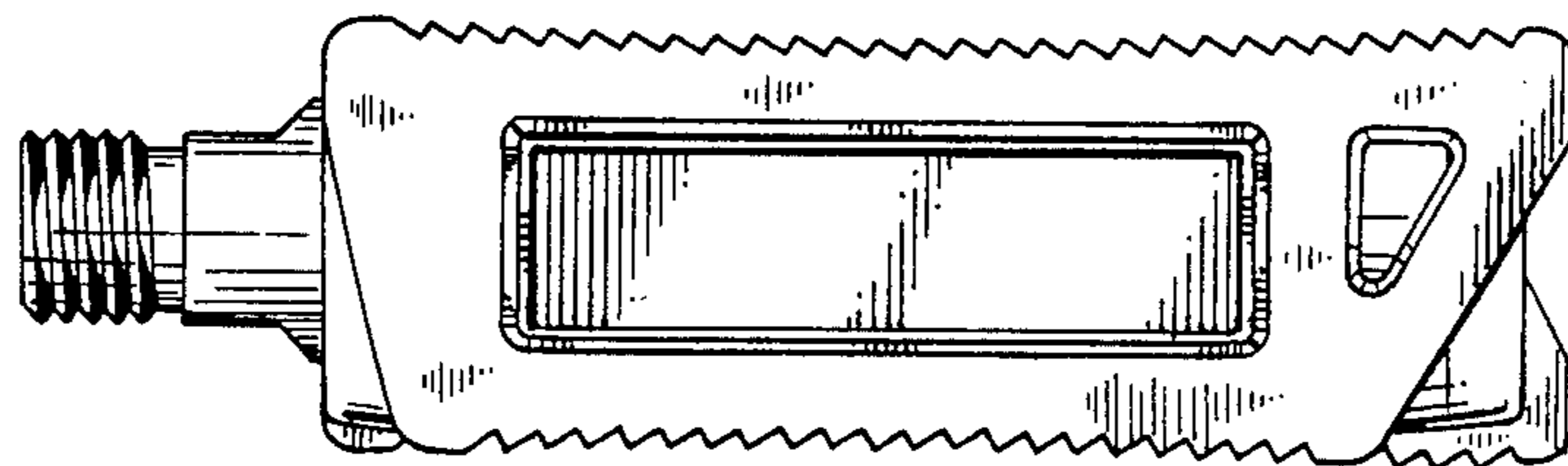
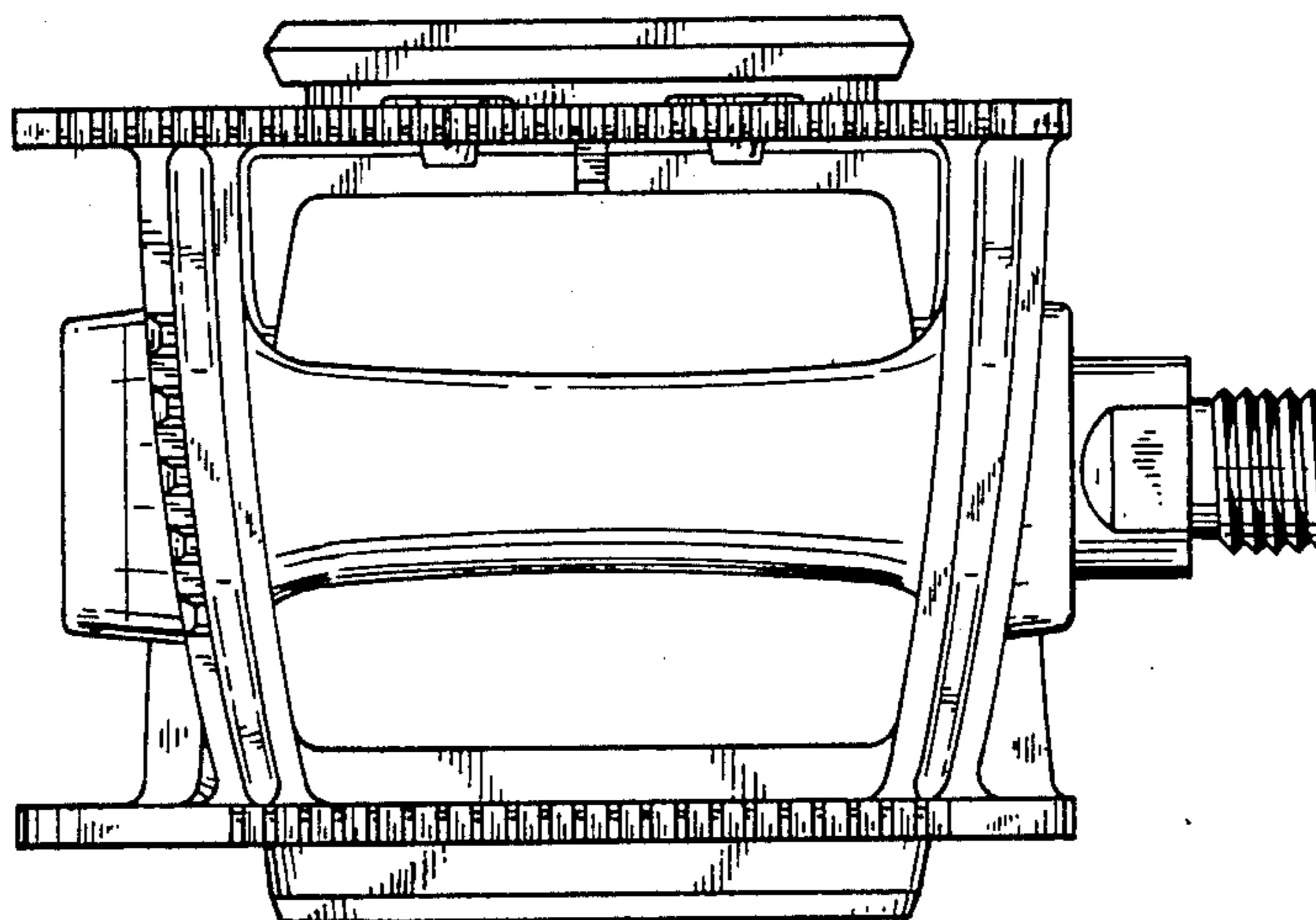


FIG. 6



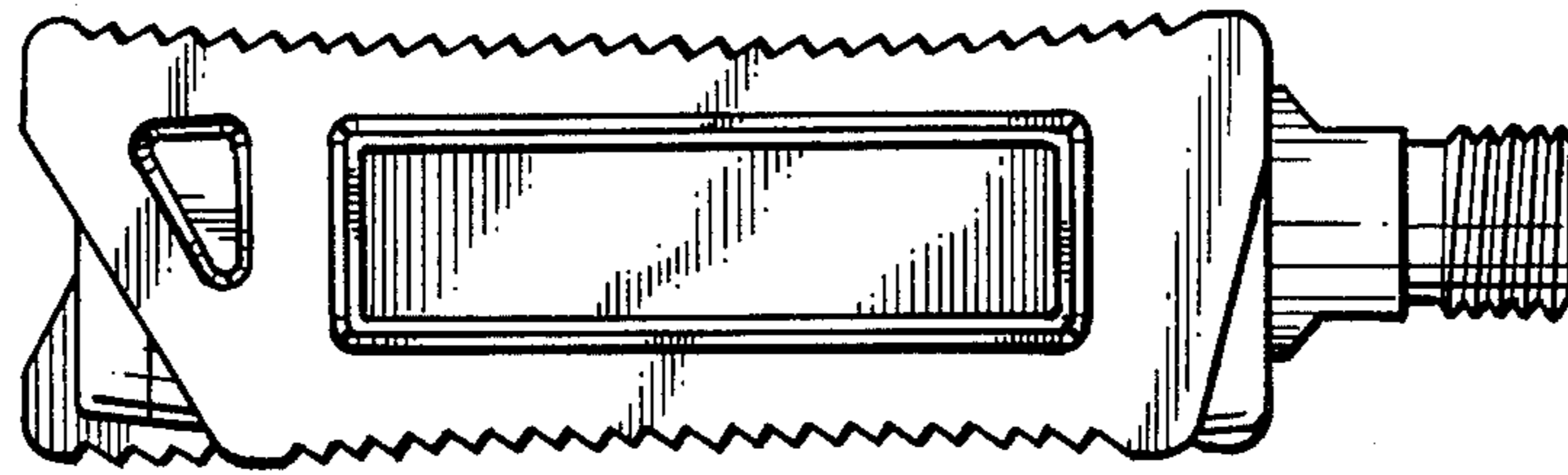


FIG. 7