

[54] BICYCLE PEDAL

[75] Inventor: Yoshiya Chounan, Souka, Japan

[73] Assignee: Sakae Ringyo Co., Ltd., Japan

[**] Term: 14 Years

[21] Appl. No.: 837,361

[22] Filed: Mar. 6, 1986

[52] U.S. Cl. D12/125

[58] Field of Search D12/125; 74/594.4

[56] References Cited

U.S. PATENT DOCUMENTS

D. 284,459 7/1986 Shimizu D12/125

OTHER PUBLICATIONS

American Bicyclist & Motorcyclist, 8/85, p. 32, pedal LU α 471, LU-468 & LU-469, bottom of page.

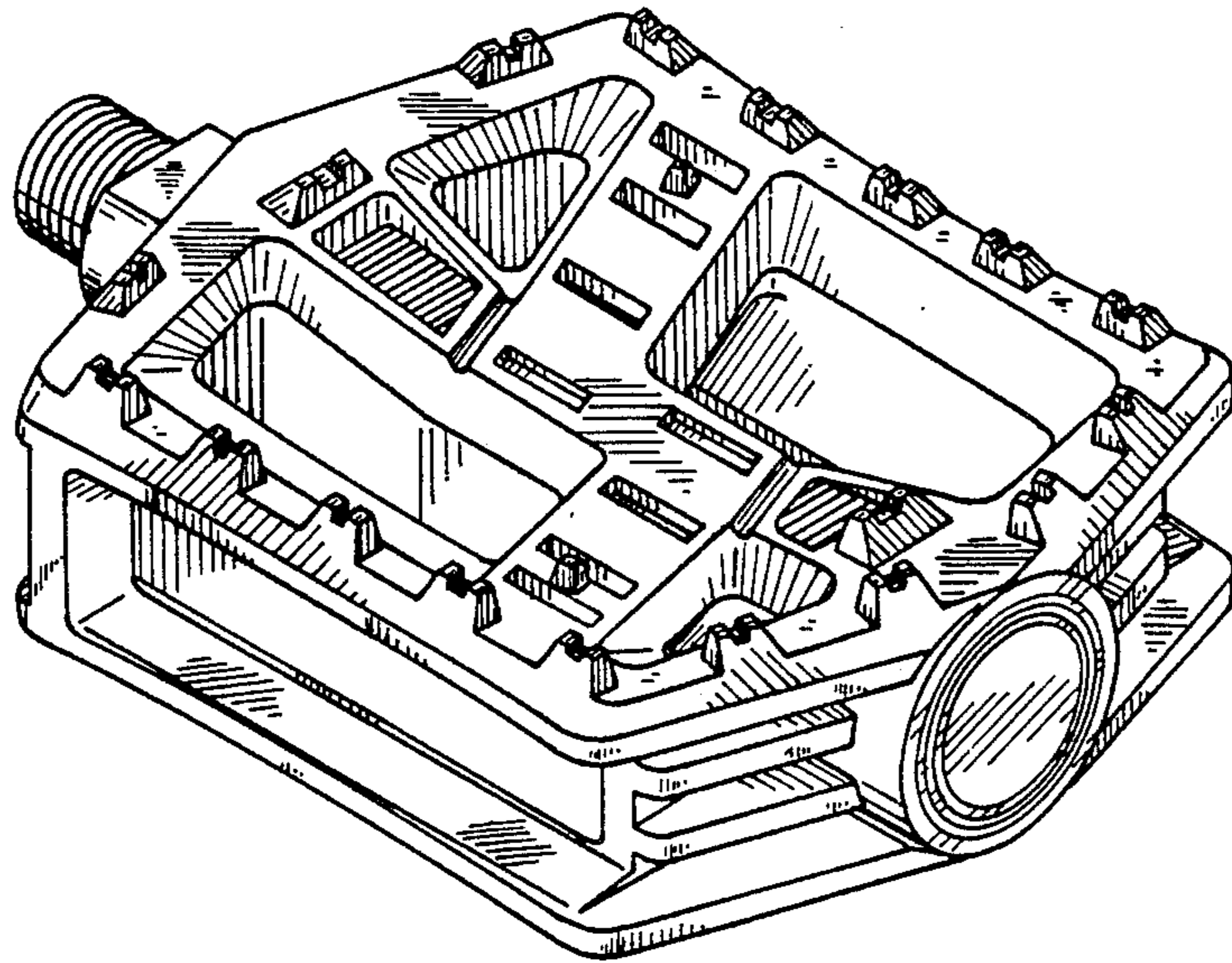
Primary Examiner—James M. Gandy
Attorney, Agent, or Firm—Lowe, Price, LeBlanc,
Becker & Shur

[57] CLAIM

The ornamental design for a bicycle pedal, as shown.

DESCRIPTION

FIG. 1 is a perspective view of a bicycle pedal;
FIG. 2 is a front elevational view;
FIG. 3 is a right side elevational view;
FIG. 4 is a left side elevational view;
FIG. 5 is a bottom plan view;
FIG. 6 is a rear elevational view; and
FIG. 7 is a top plan view.



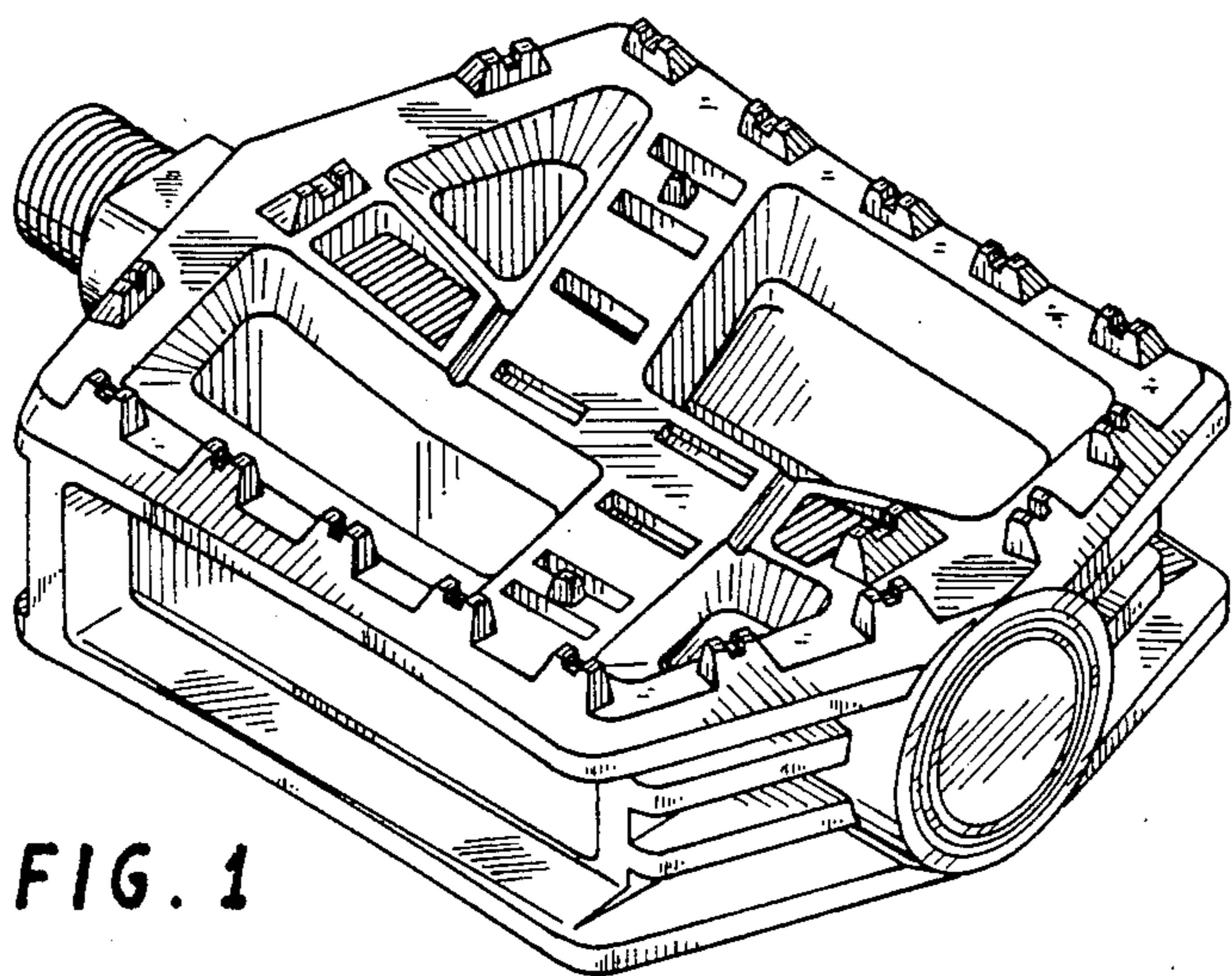


FIG. 1

FIG. 2

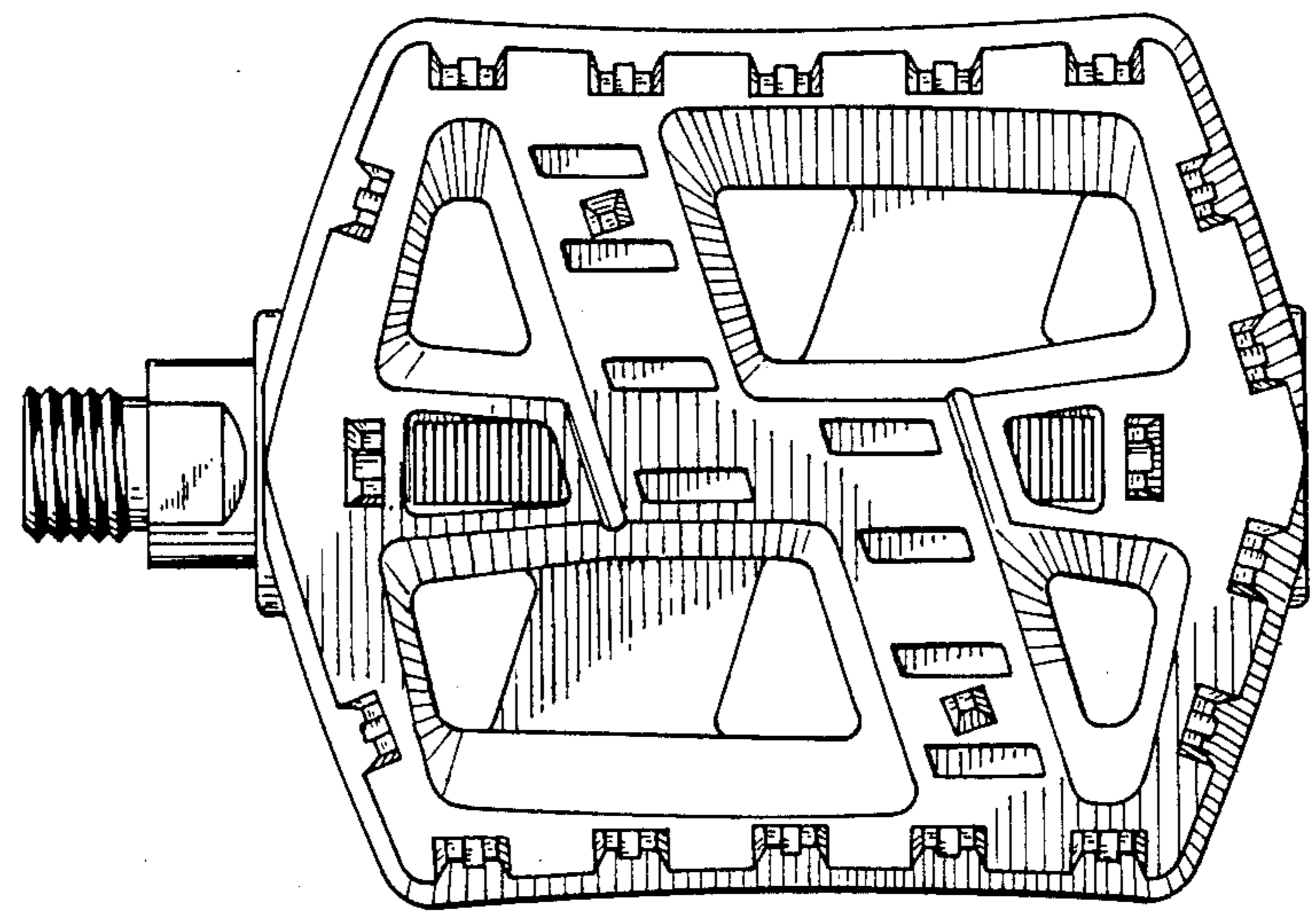


FIG.3

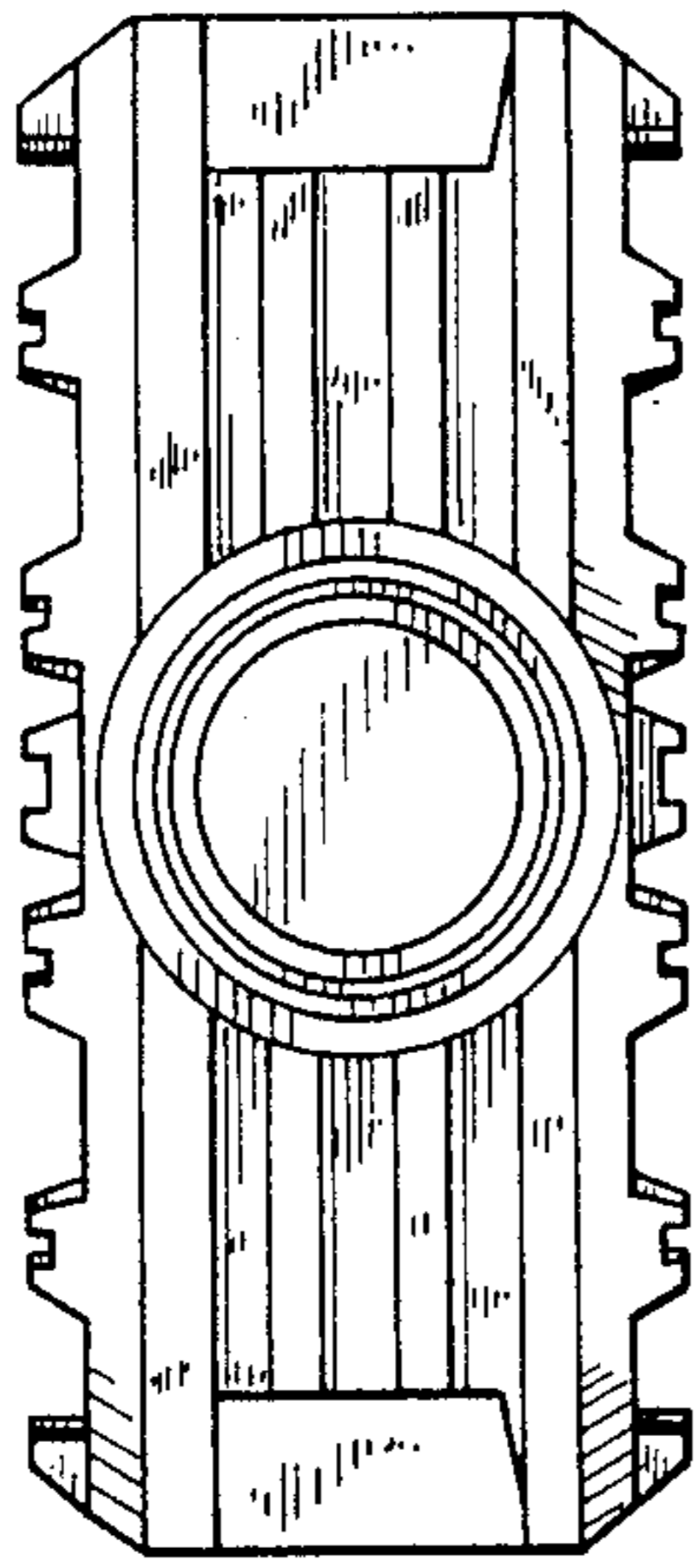


FIG.4

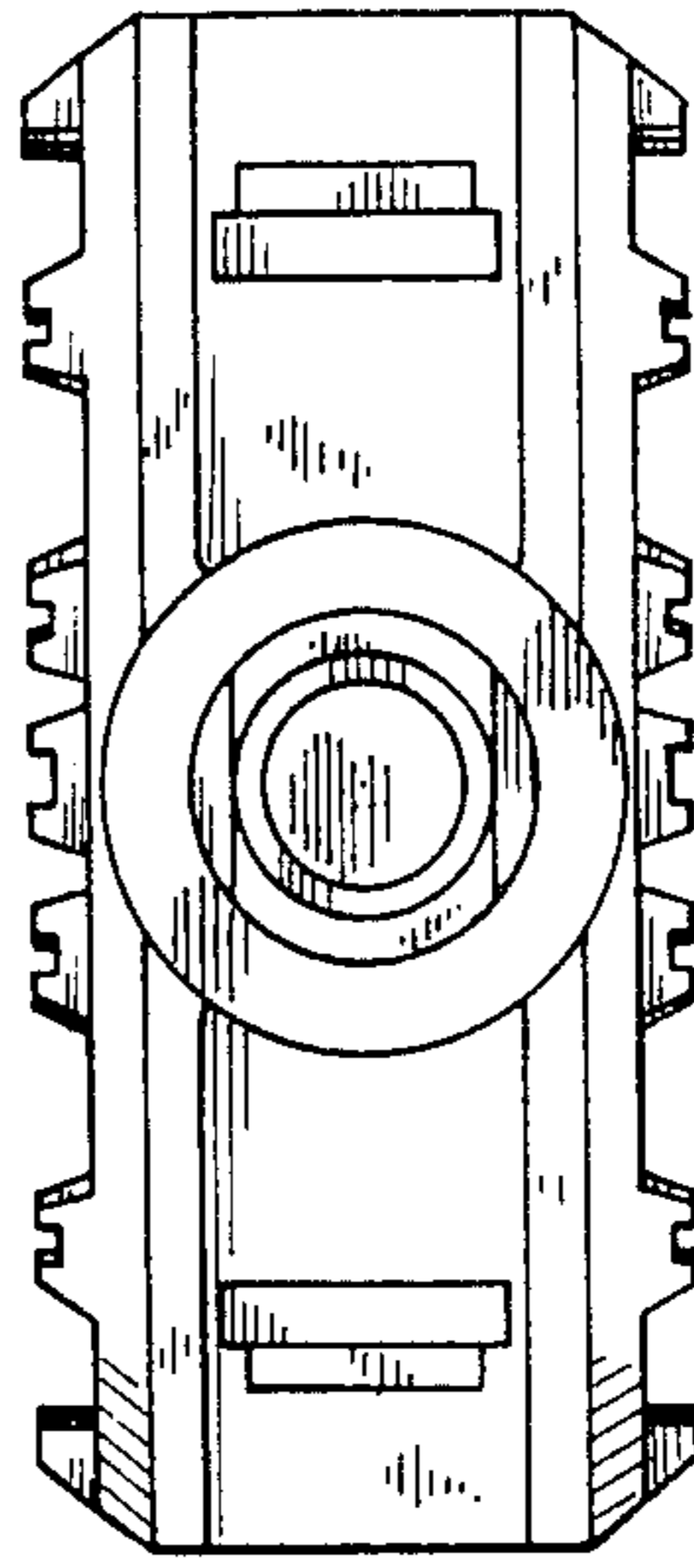
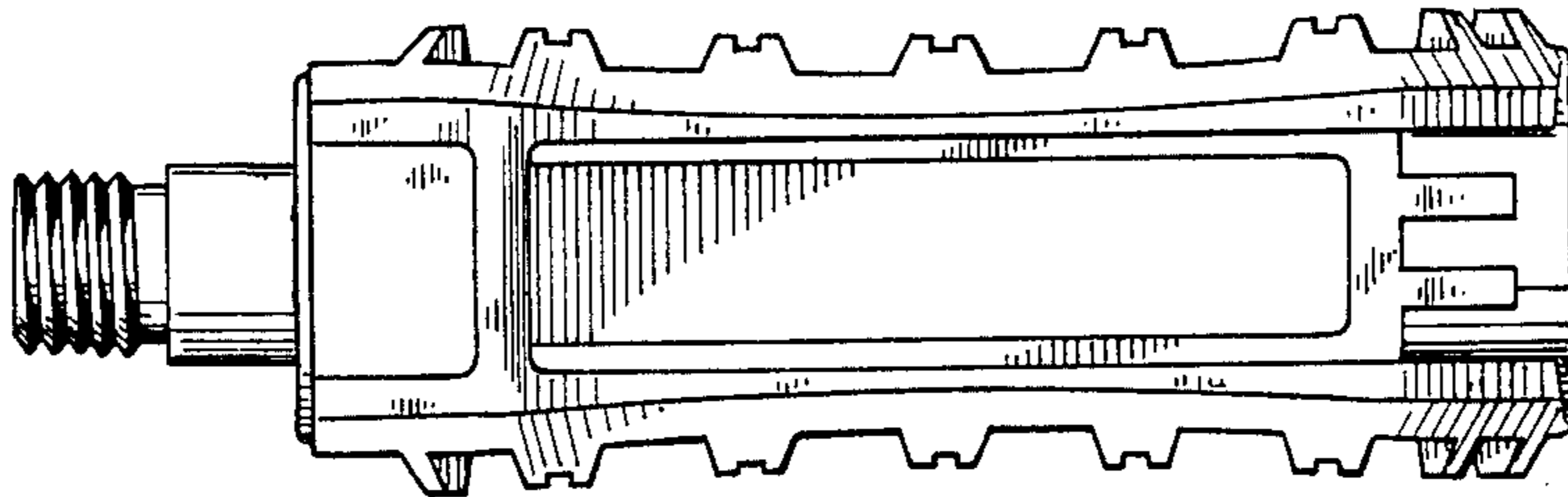


FIG.5



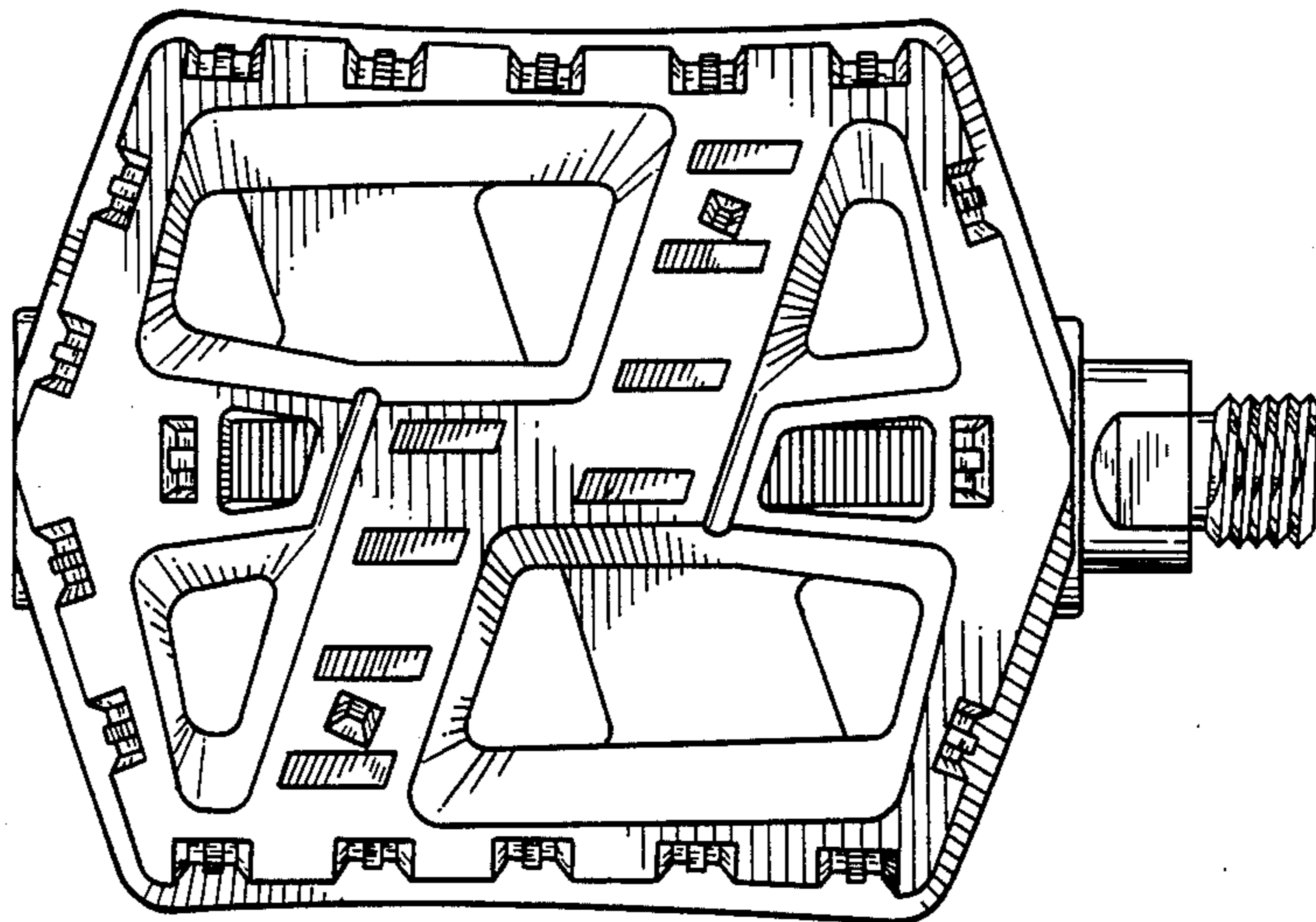


FIG. 6

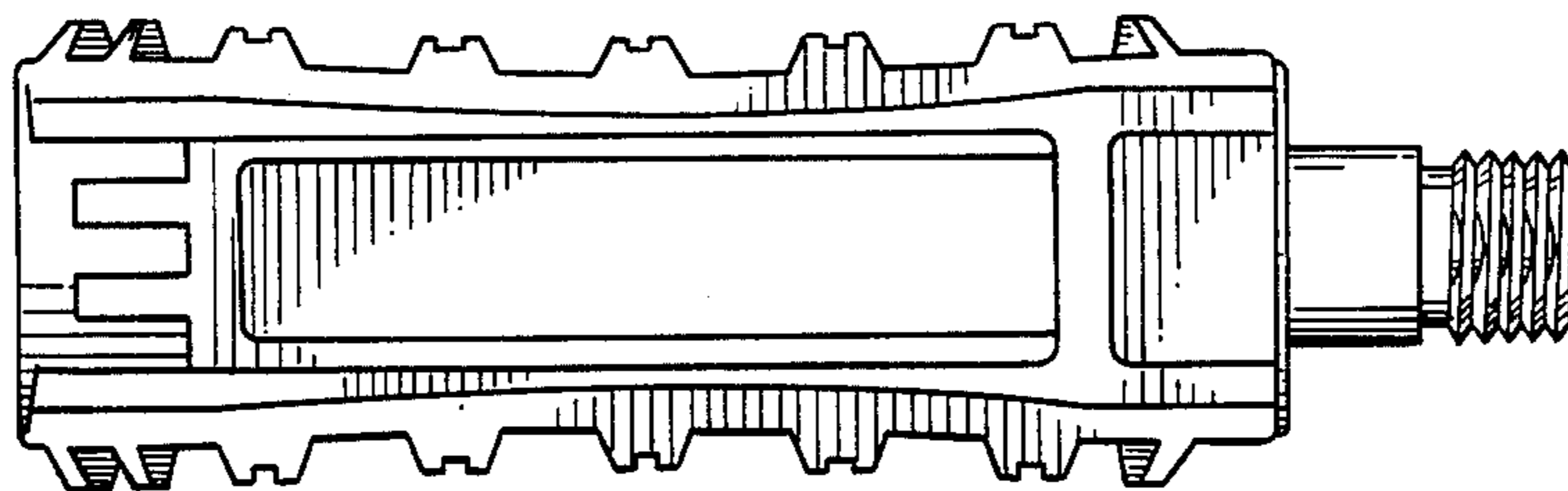


FIG. 7