

# United States Patent [19]

McAlpine

[11] Patent Number: Des. 299,441

[45] Date of Patent: \*\* Jan. 17, 1989

[54] PLANT POT AND BASE COMBINATION

[75] Inventor: James E. McAlpine, Glasgow, Scotland

[73] Assignee: McAlpine & Company Limited, Glasgow, Scotland

[\*\*] Term: 14 Years

[21] Appl. No.: 903,076

[22] Filed: Sep. 2, 1986

[52] U.S. Cl. .... D11/152

[58] Field of Search ..... D11/143, 152-154, D11/164; 47/66, 71, 79, 73

[56] References Cited

### U.S. PATENT DOCUMENTS

592,066 10/1897 Simpson ..... 47/73

894,862 8/1908 Uban ..... 47/73  
4,232,482 11/1980 Watt et al. .... 47/71  
4,265,050 5/1981 Buescher ..... 47/79  
4,317,311 3/1982 Schmitt ..... 47/66

Primary Examiner—B. J. Bullock  
Attorney, Agent, or Firm—Stephen G. Rudisill

[57] CLAIM

The ornamental design for the plant pot and base combination, as shown.

### DESCRIPTION

FIG. 1 is a front view of a plant pot and base combination showing my new design;  
FIG. 2 is a bottom plan view thereof;  
FIG. 3 is a top plan view thereof;  
FIG. 4 is a side elevational view thereof, both sides and the rear being identical.

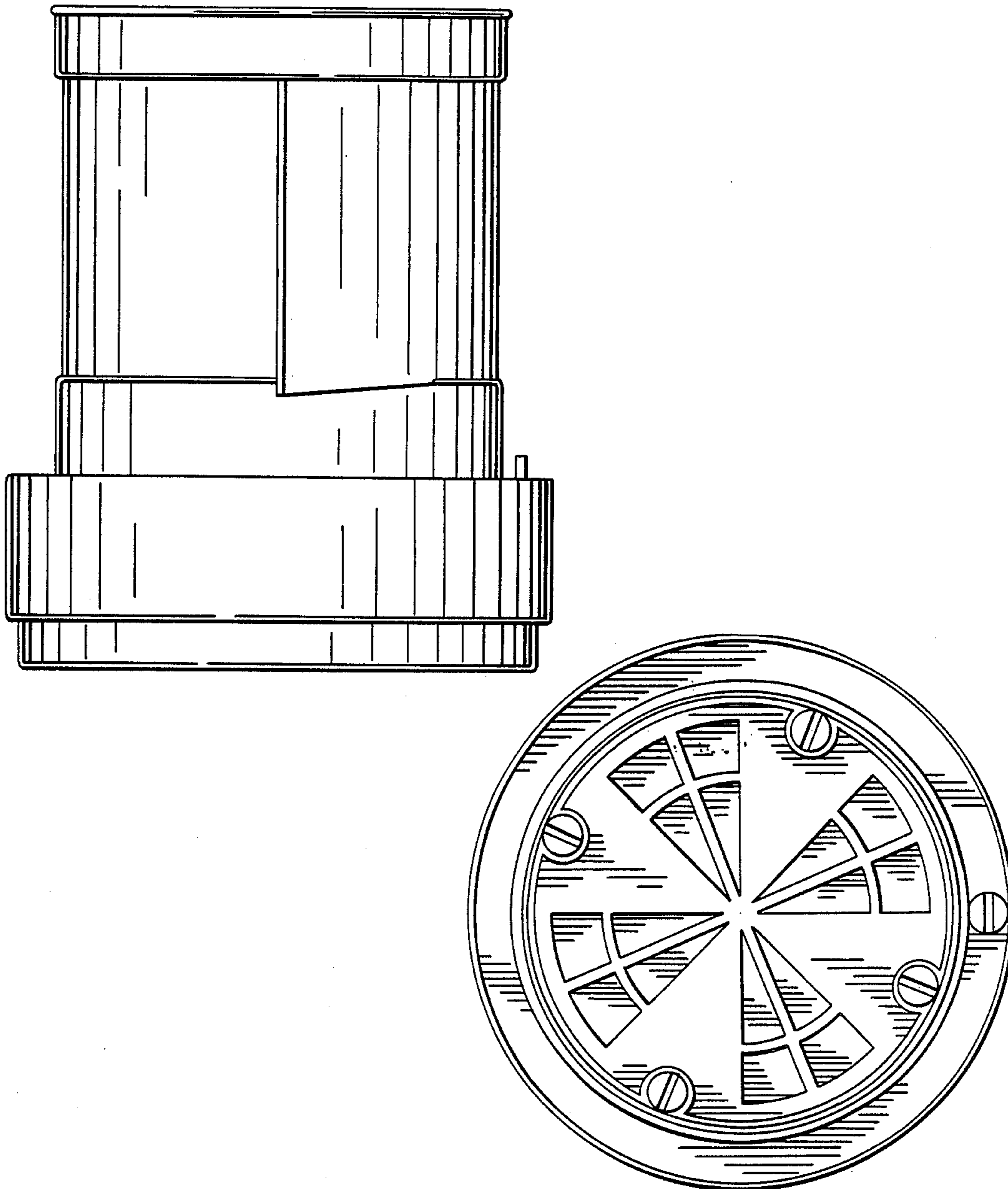


FIG. 1.

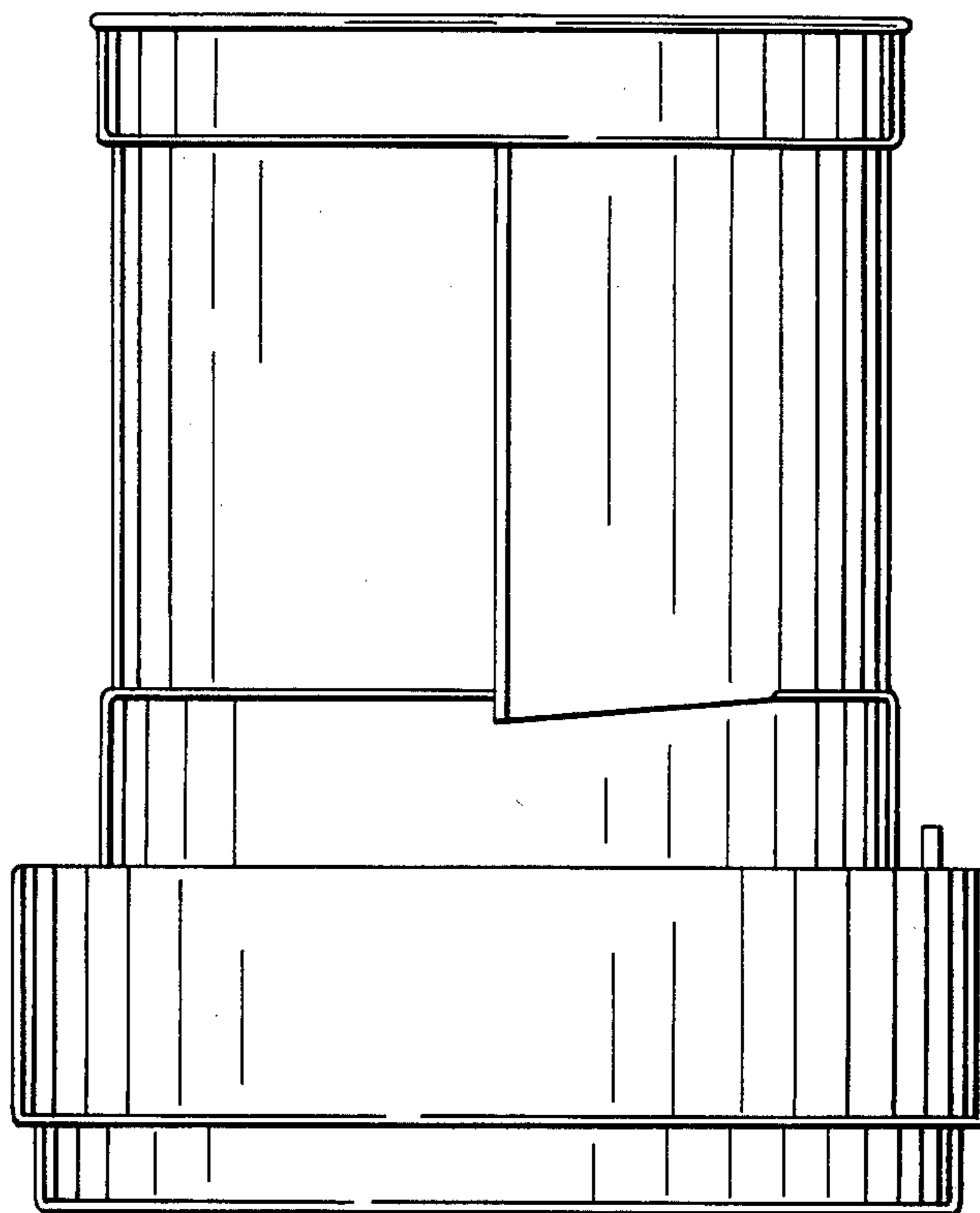


FIG. 2.

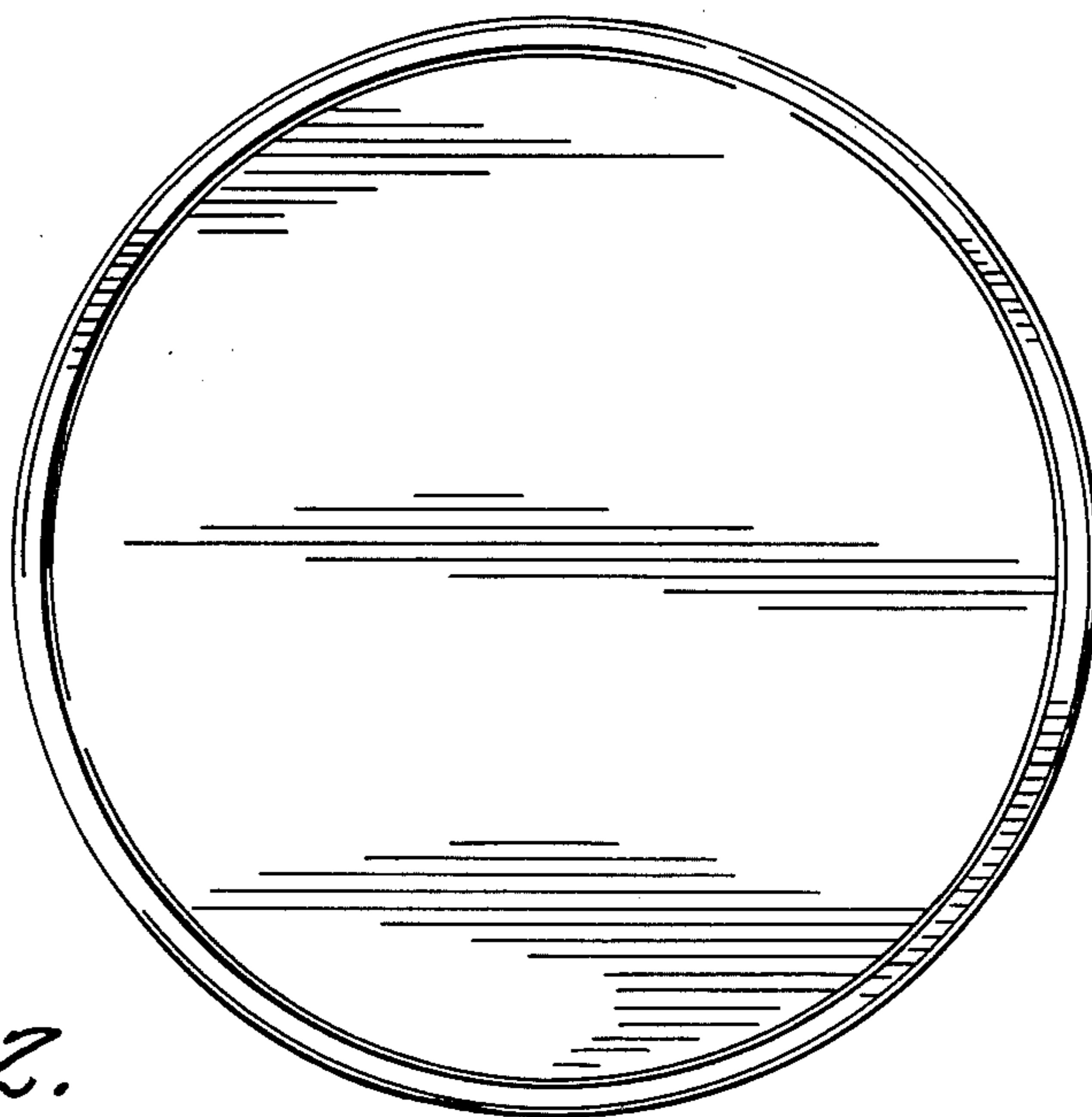


FIG. 3.

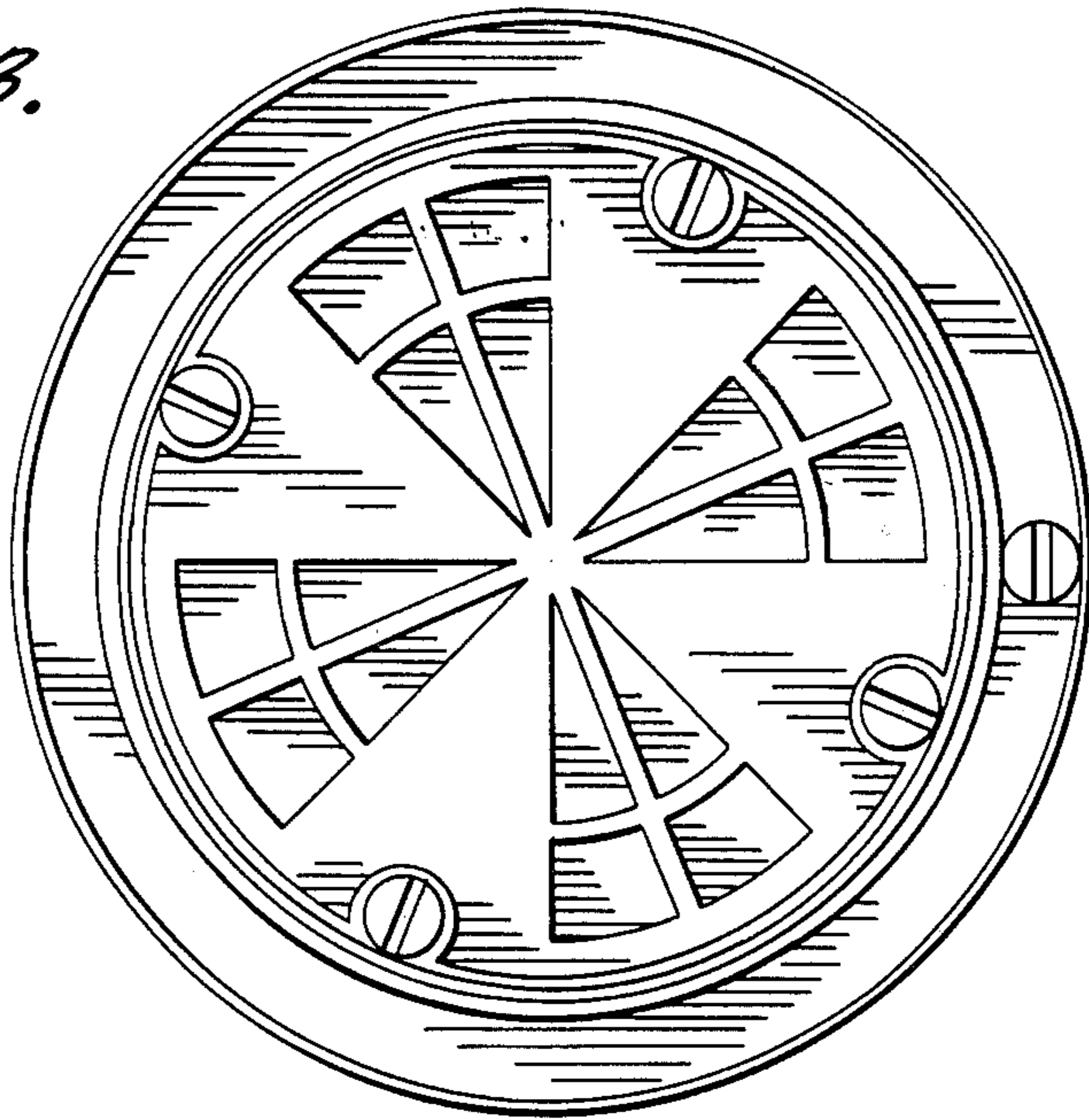


FIG. 4.

