

[54] INSULATOR TESTER UNIT

[76] Inventors: John A. Farquhar; Merrilyn J. Farquhar, both of 448 West 18th Avenue, Vancouver, B.C., Canada

[**] Term: 14 Years

[21] Appl. No.: 787,489

[22] Filed: Oct. 15, 1985

[52] U.S. Cl. D10/75; D10/46

[58] Field of Search D10/75, 78, 46; 324/551, 552, 557

[56] References Cited

U.S. PATENT DOCUMENTS

D. 224,319	7/1972	Sylvester	D10/78
D. 238,562	1/1976	Sylvester	D10/78
D. 256,566	8/1980	Zephir	D10/78
D. 256,895	9/1980	LeBlanc	D10/78
D. 268,172	3/1983	Chirkov	D10/78
D. 280,804	10/1985	Hardy	D10/75

OTHER PUBLICATIONS

Design News-5/21/73-p. 140, Impact Analyzer at top--right.

Primary Examiner-Nelson C. Holtje
Attorney, Agent, or Firm-Barrigar & Oyen

[57] CLAIM

The ornamental design for an insulator tester unit, as shown and described.

DESCRIPTION

FIG. 1 is a front and bottom left perspective view of an insulator test unit showing our new design;
 FIG. 2 is a front and top left perspective view thereof in an open position;
 FIG. 3 is a top plan view of FIG. 2;
 FIG. 4 is a front elevational view of FIG. 2;
 FIG. 5 is a rear elevational view of FIG. 2;
 FIG. 6 is a left side elevational view of FIG. 2;
 FIG. 7 is a top and right side perspective view of FIG. 2;
 FIG. 8 is a bottom plan view of FIG. 2.

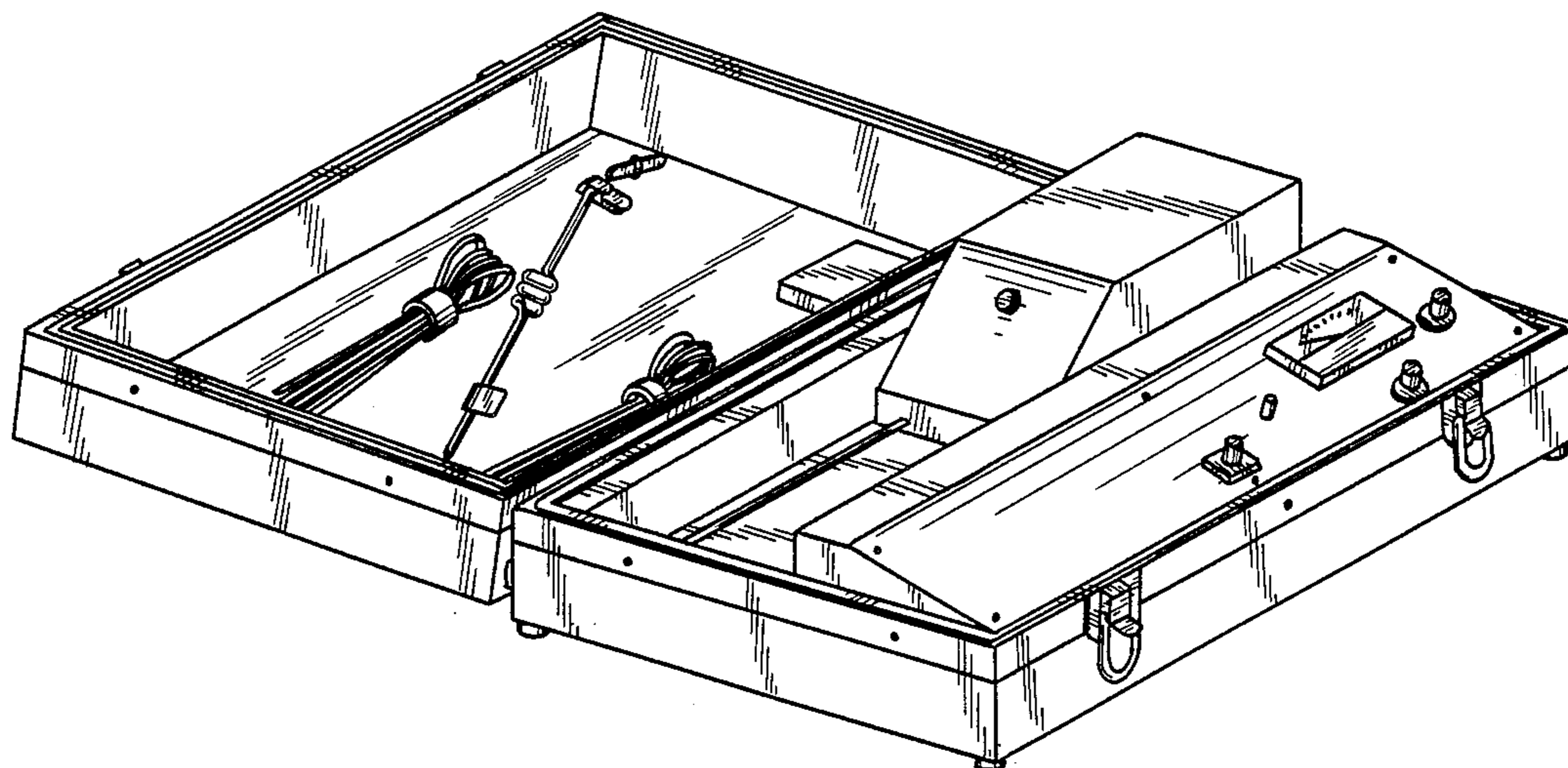


FIG. 1

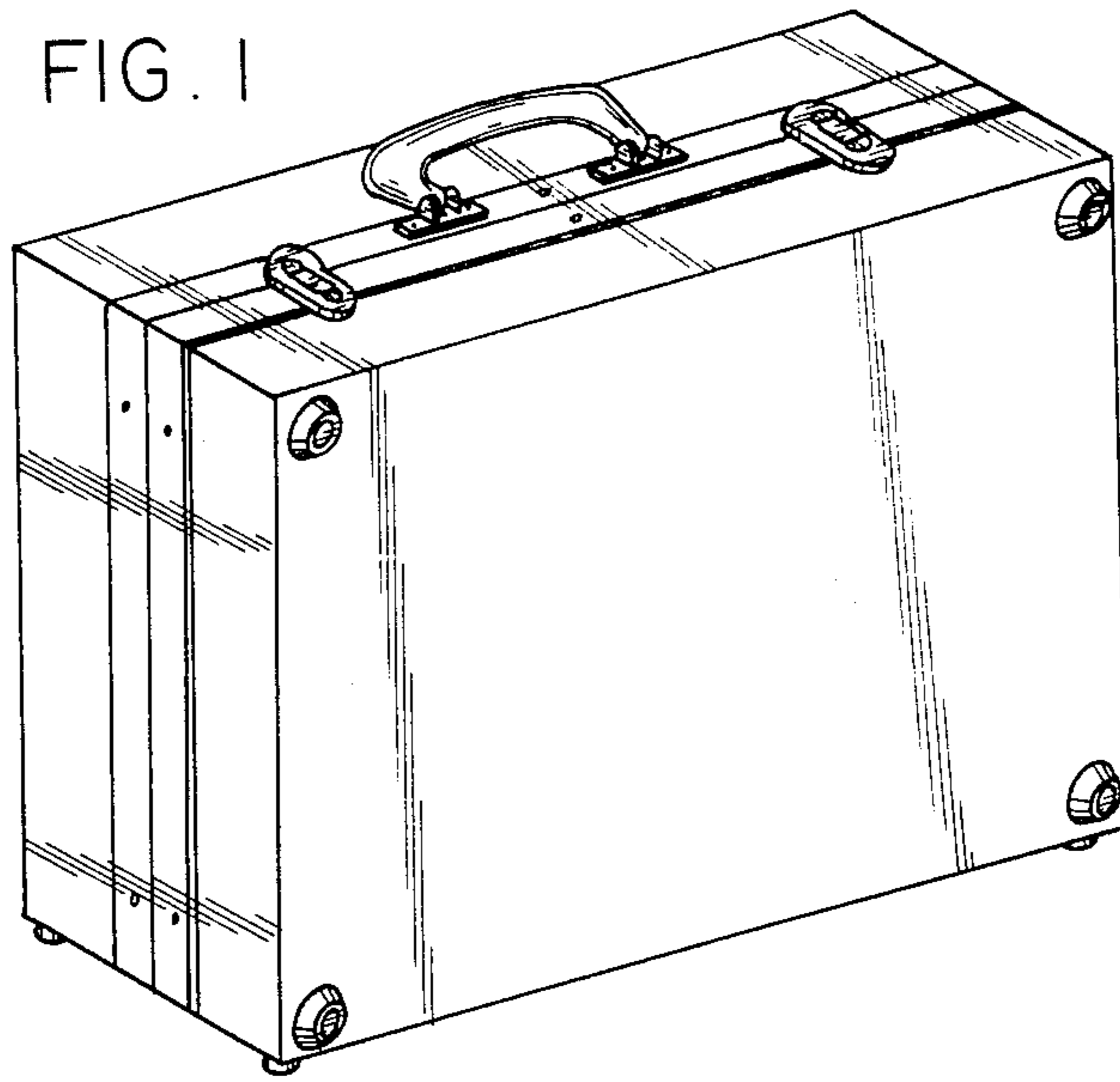


FIG. 2

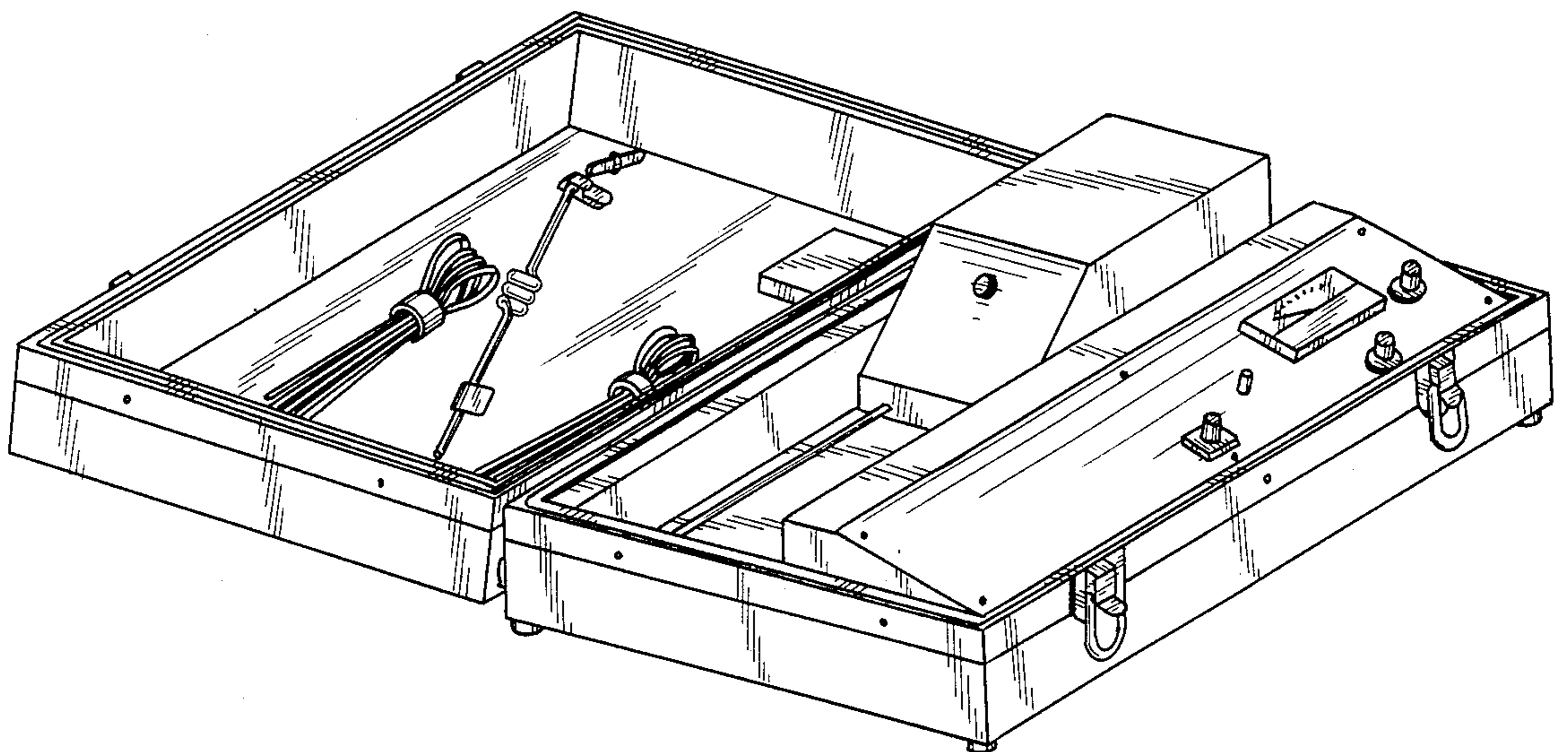


FIG. 6

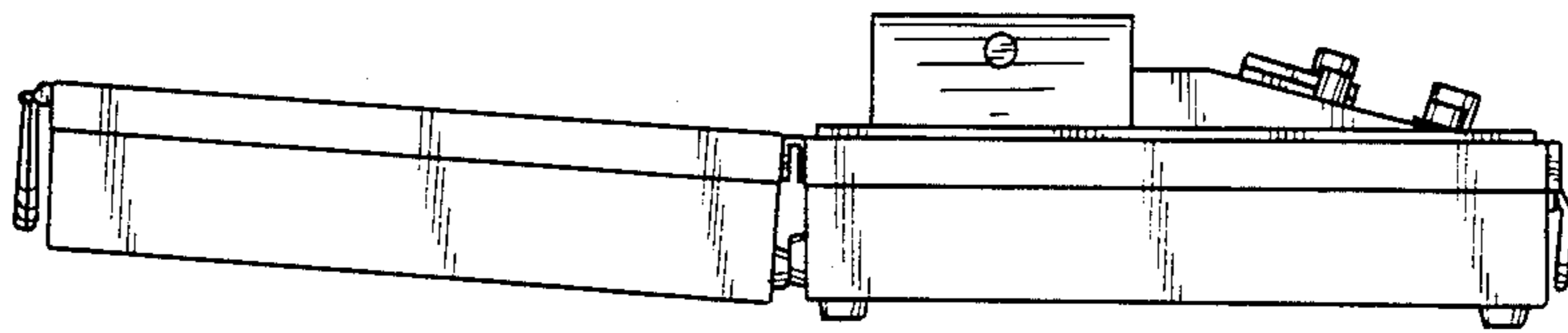


FIG. 4

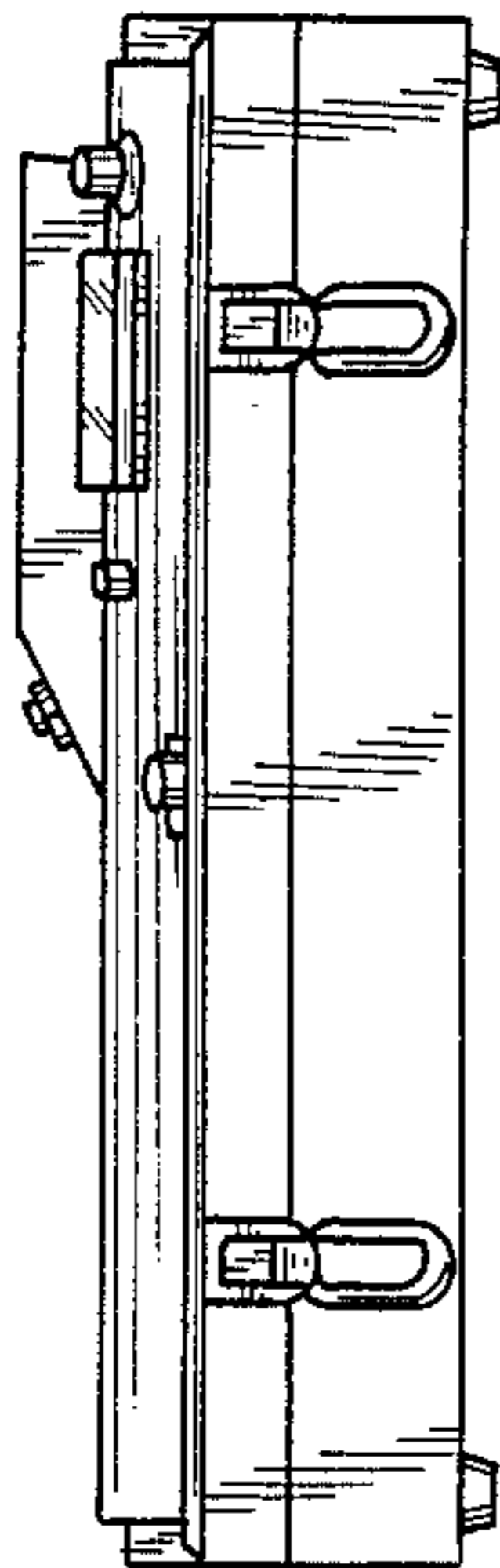


FIG. 3

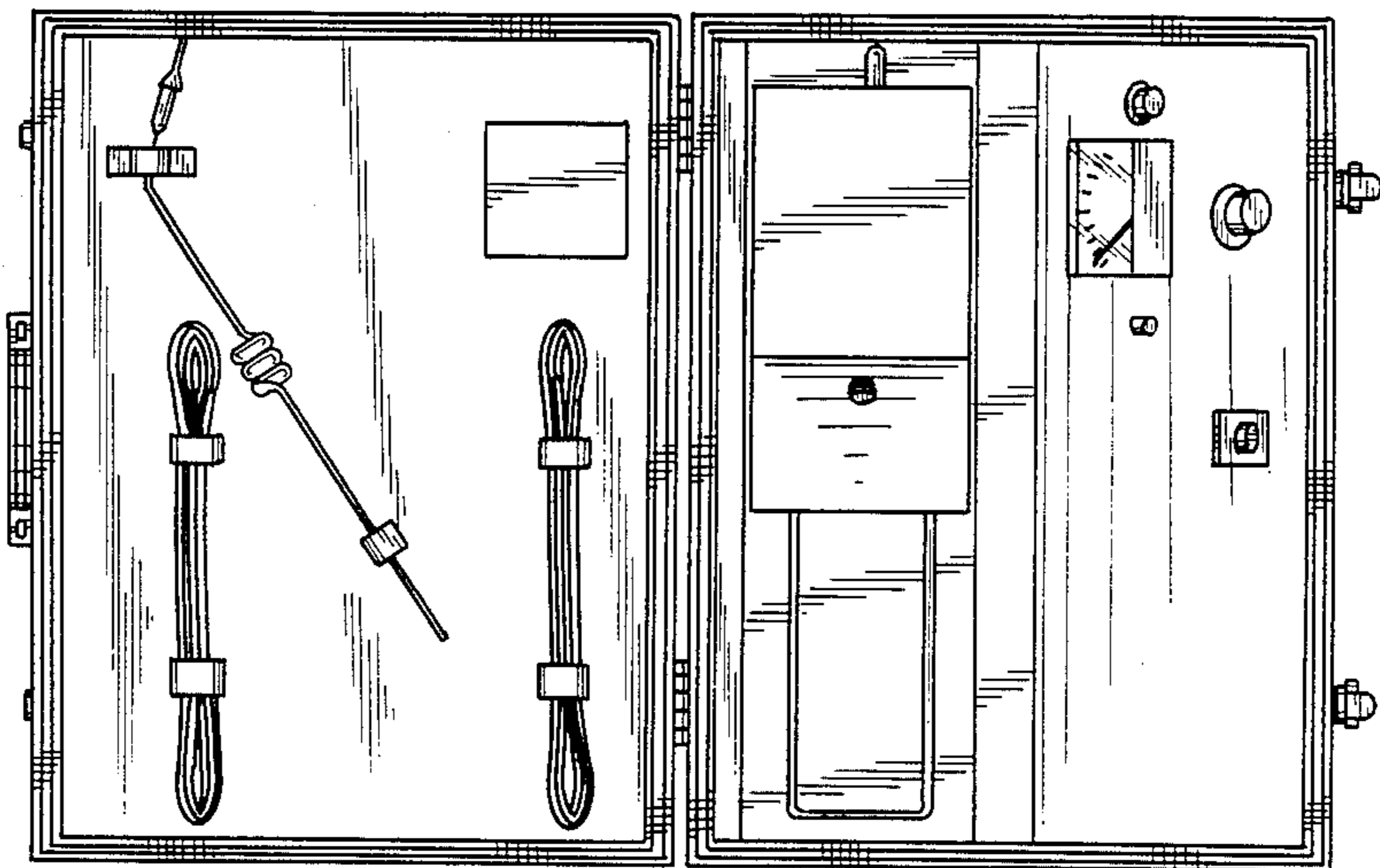


FIG. 5

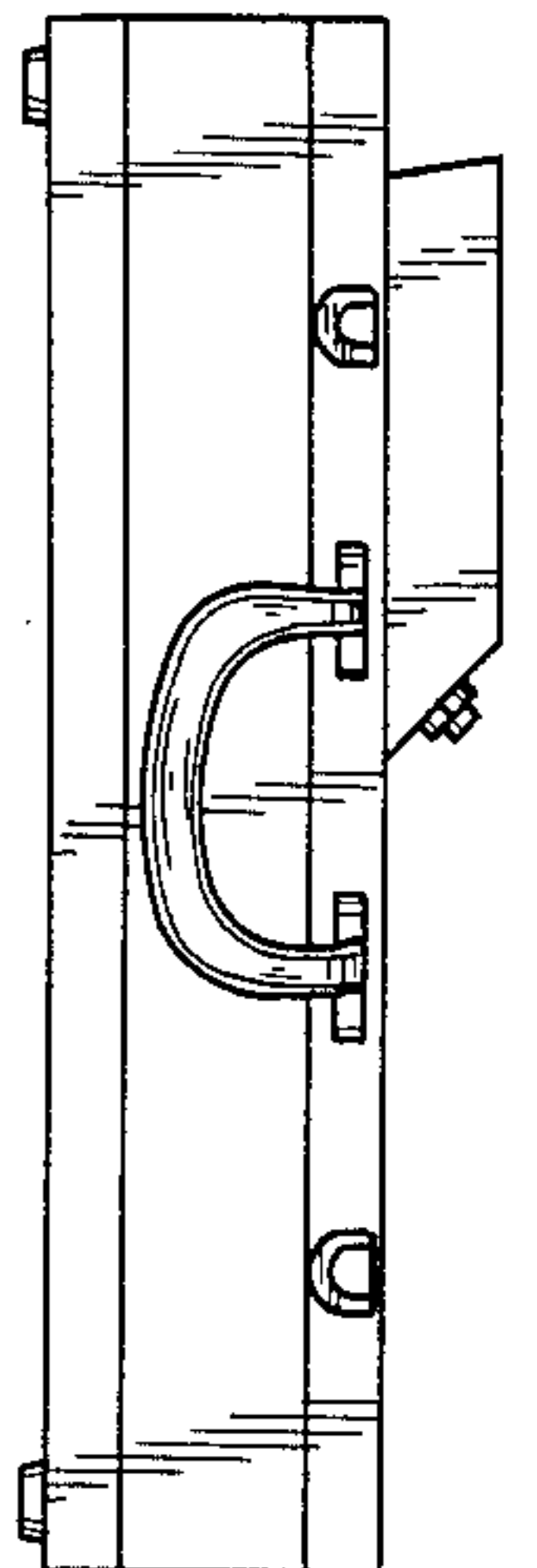
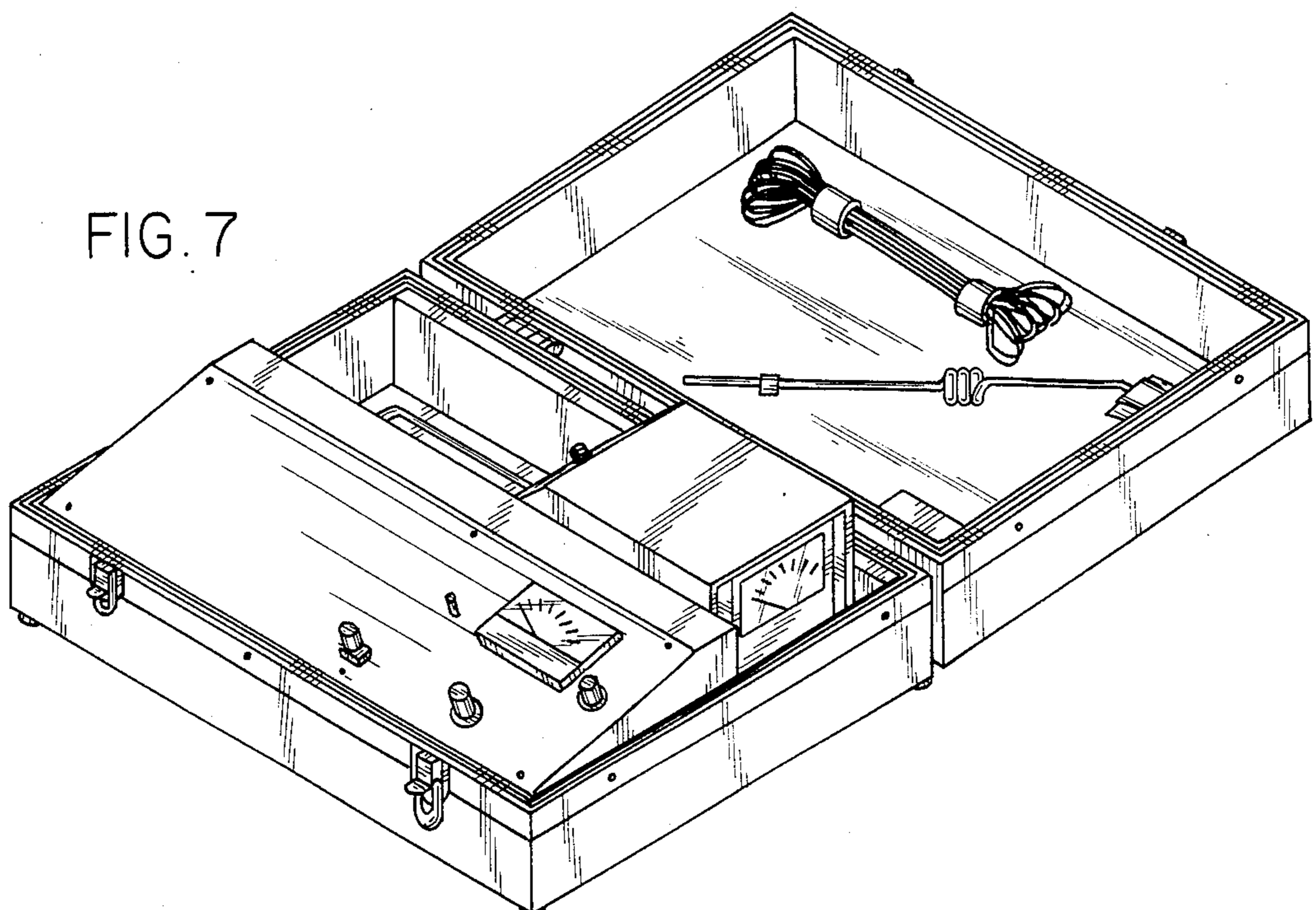


FIG. 7



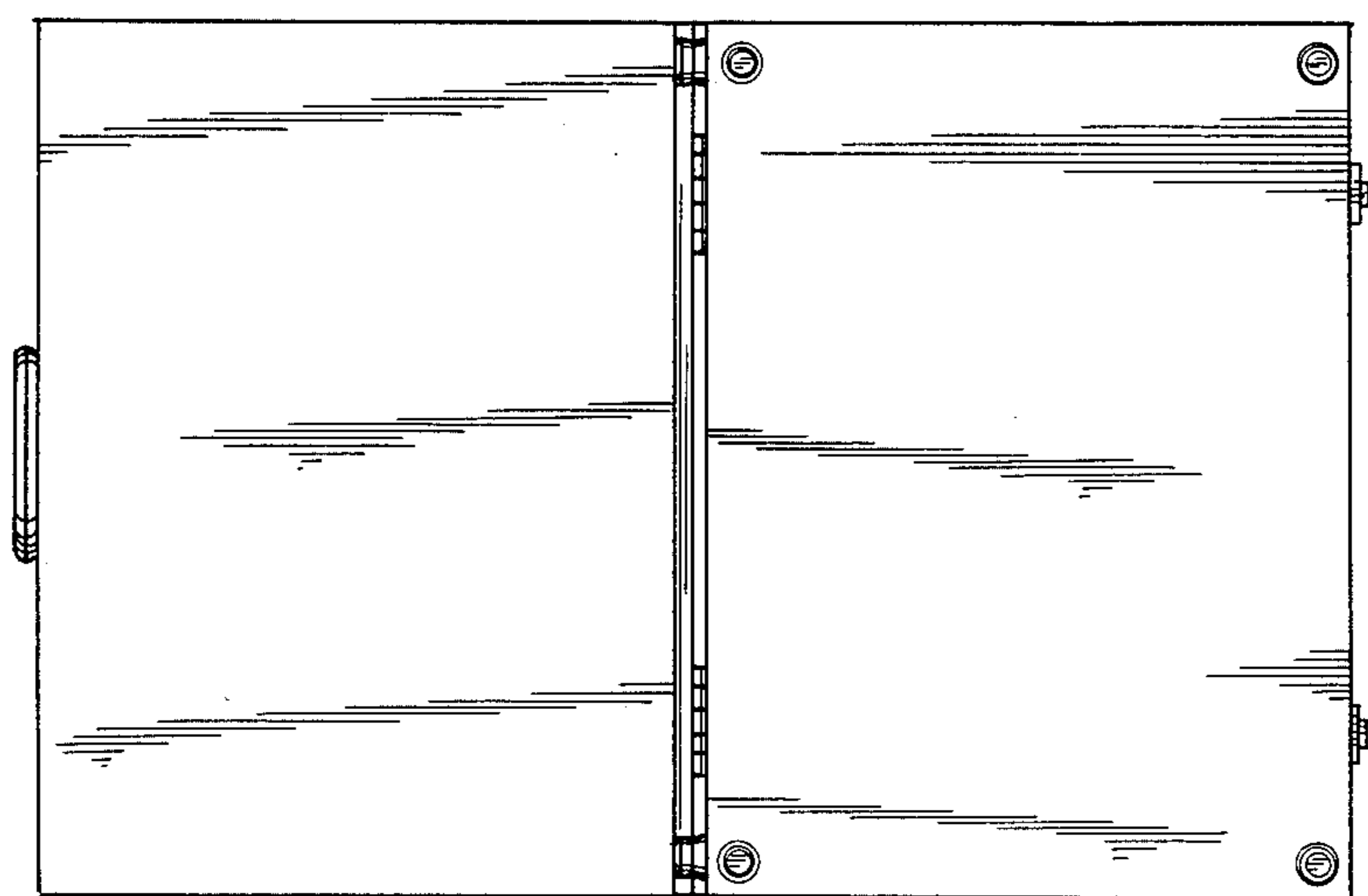


FIG. 8