

[54] **COMBINED SQUARE AND TAPE MEASURE**

3,335,498 8/1967 Barbee 33/138 X
4,700,489 10/1987 Vasile 33/138 X

[76] **Inventor:** Andrew W. Kull, 157 Hughes Pl.,
Albertson, N.Y. 11507

Primary Examiner—Nelson C. Holtje
Attorney, Agent, or Firm—Burton S. Heiko

[**] **Term:** 14 Years

[57] **CLAIM**

[21] **Appl. No.:** 879,181

The ornamental design for a combined square and tape measure, as shown and described.

[22] **Filed:** Jun. 26, 1986

[52] **U.S. Cl.** D10/62; D10/72

DESCRIPTION

[58] **Field of Search** D10/61-65,
D10/69, 70-72; 33/137-140, 354, 379, 381, 478

FIG. 1 is a front and bottom-left isometric view of combined square and tape measure showing my new design;

[56] **References Cited**

U.S. PATENT DOCUMENTS

Re. 27,496 10/1972 Andrews 33/354
D. 233,695 11/1974 Payne D10/62 X
D. 276,316 11/1984 Weeks D10/62
1,648,266 11/1927 Grass 33/478
2,563,674 8/1951 Coots 33/138 X

FIG. 2 is a top plan view thereof;

FIG. 3 is a right side elevational view thereof;

FIG. 4 is a left side elevational view thereof;

FIG. 5 is a front elevational view thereof;

FIG. 6 is a rear elevational view thereof;

FIG. 7 is a front and bottom-left isometric view thereof with the tape measure in a folded position.

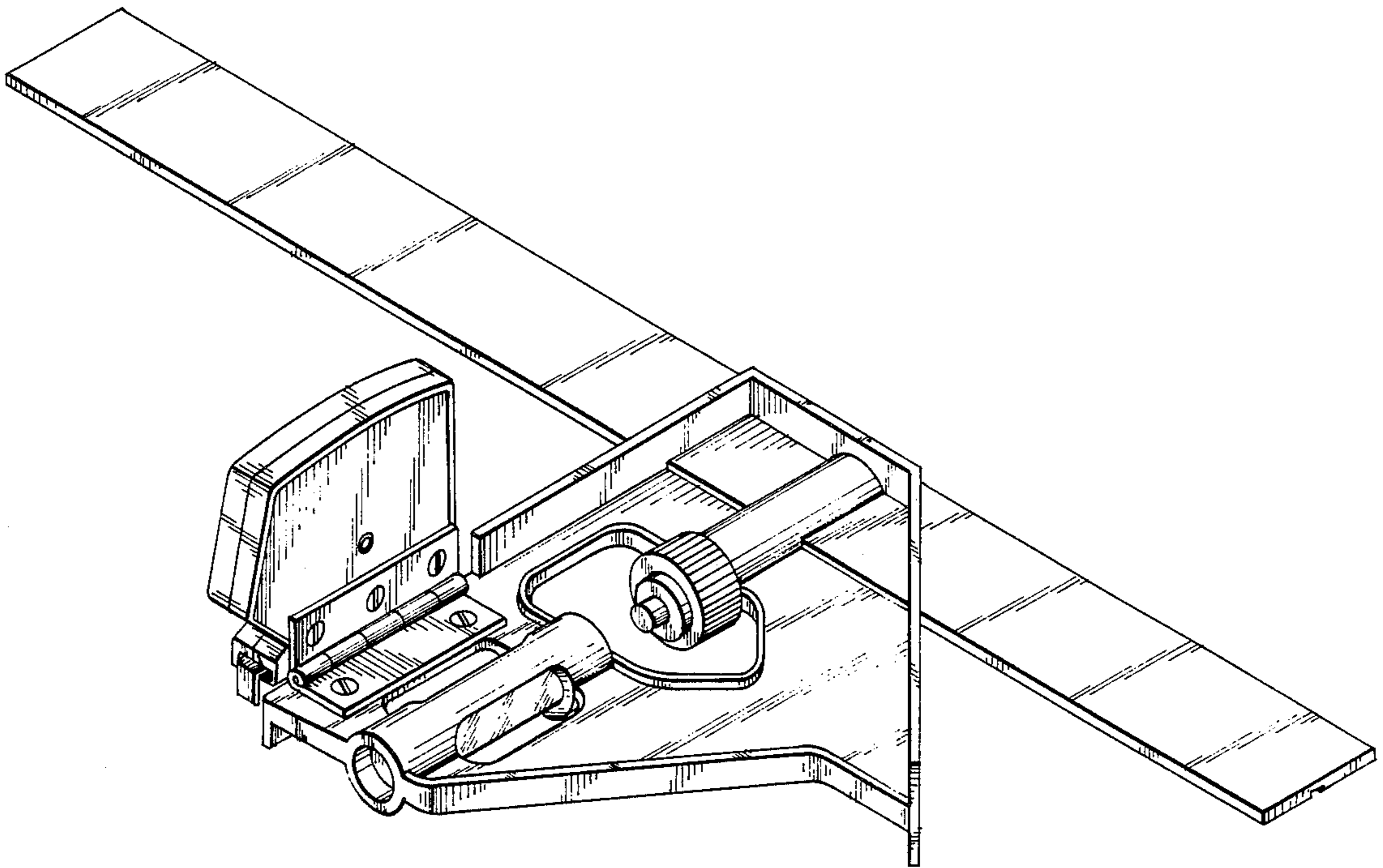


FIG. 1

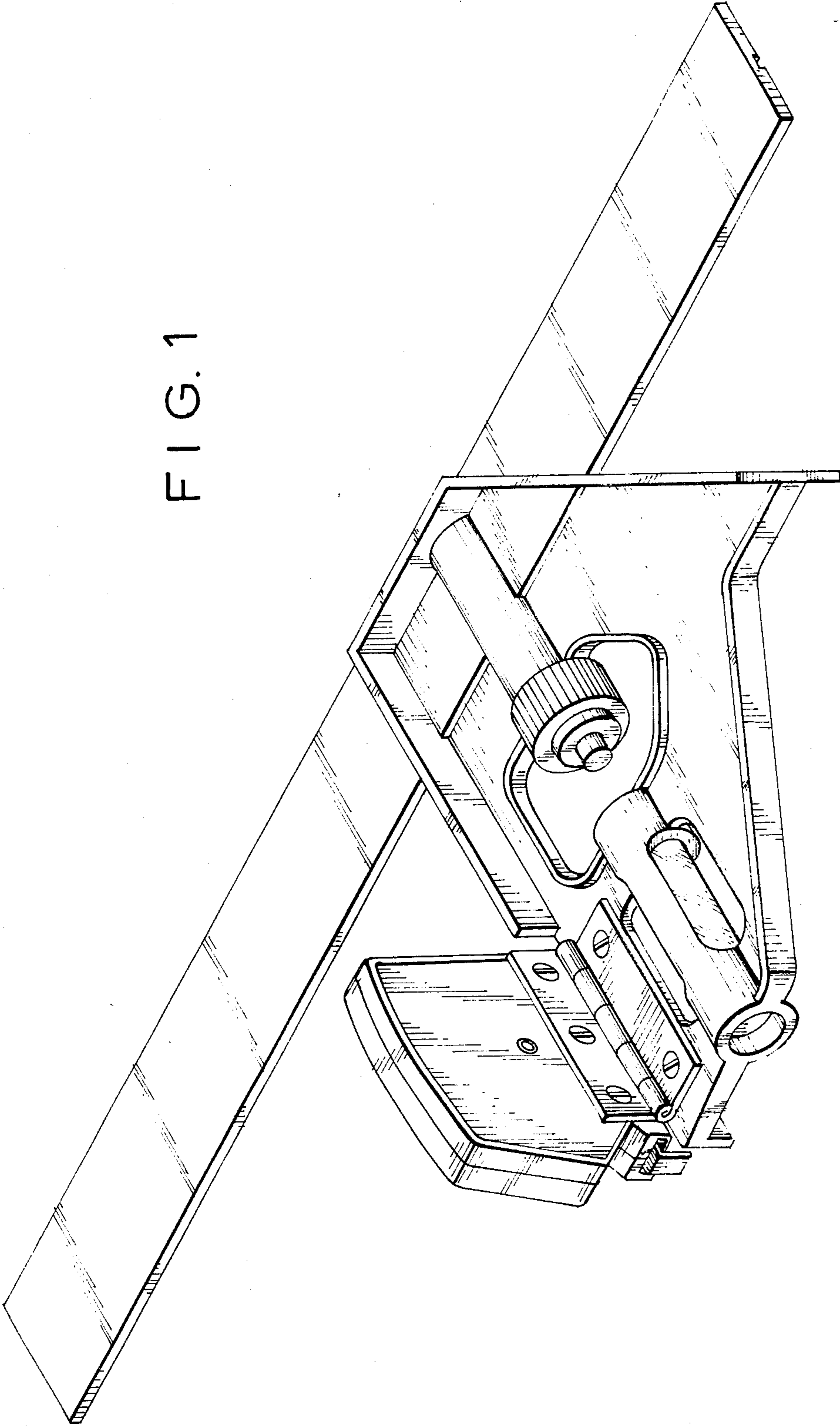


FIG. 2

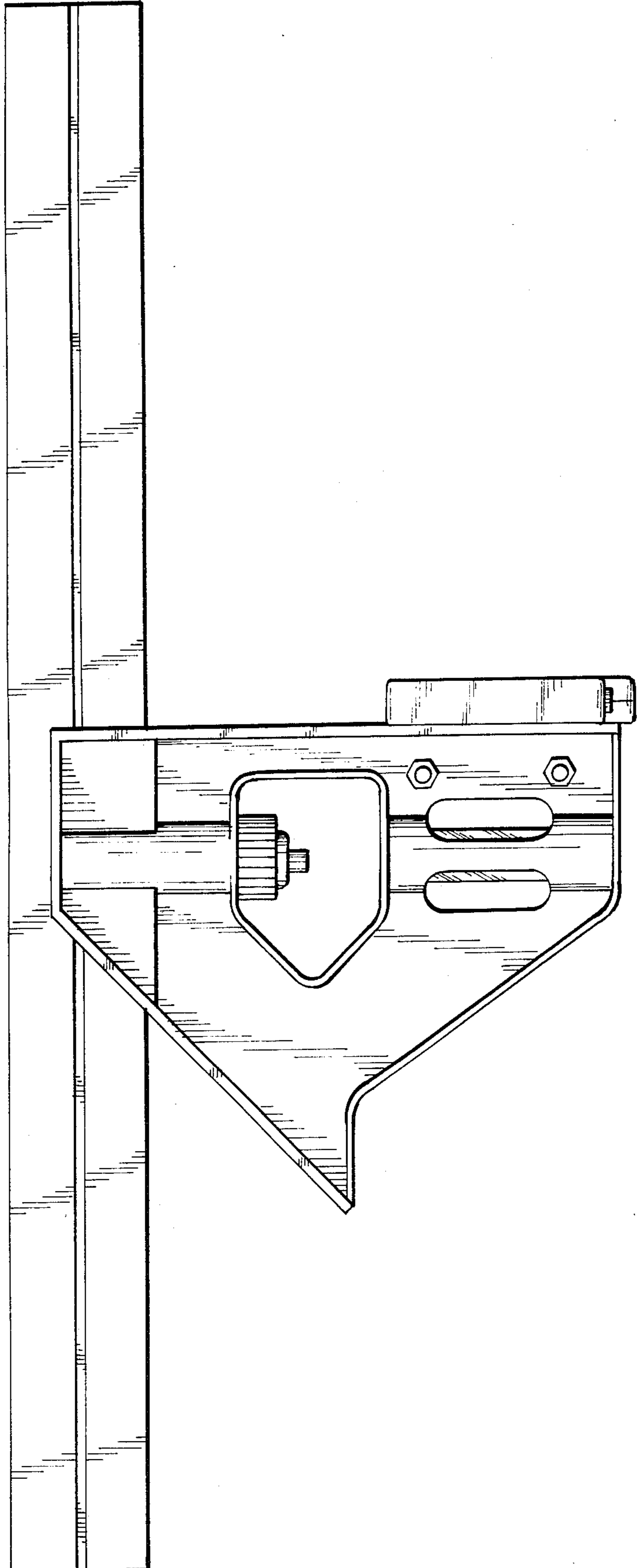


FIG. 3

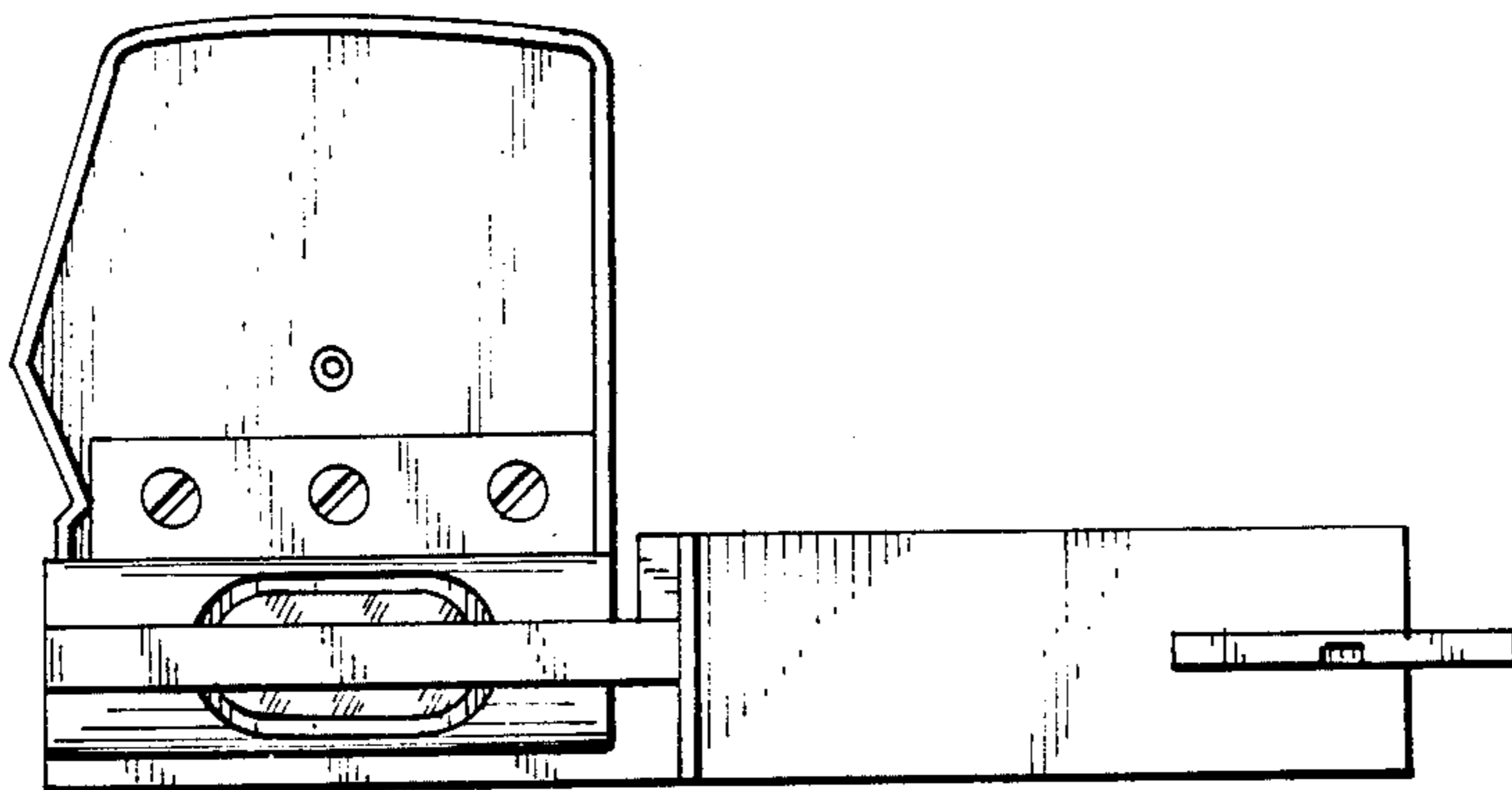


FIG. 4

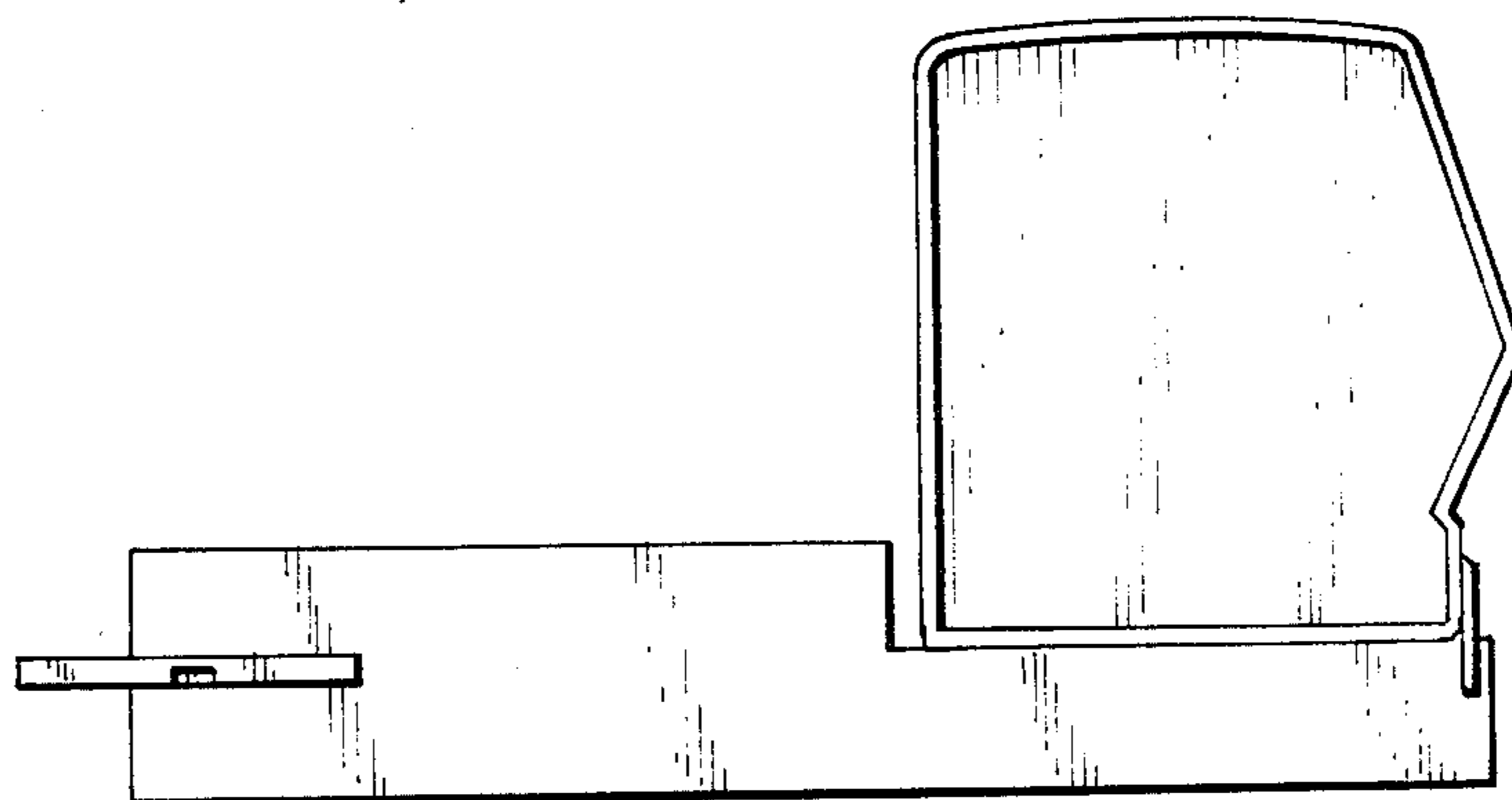


FIG. 5

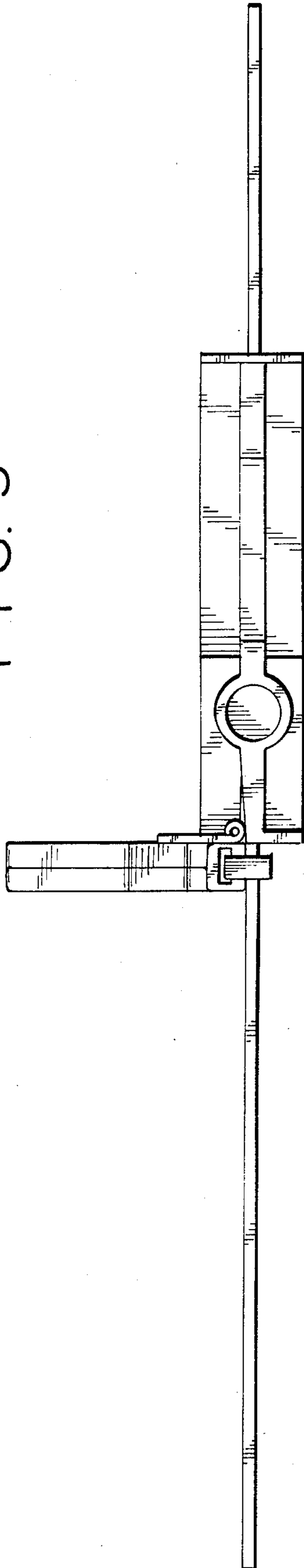


FIG. 6

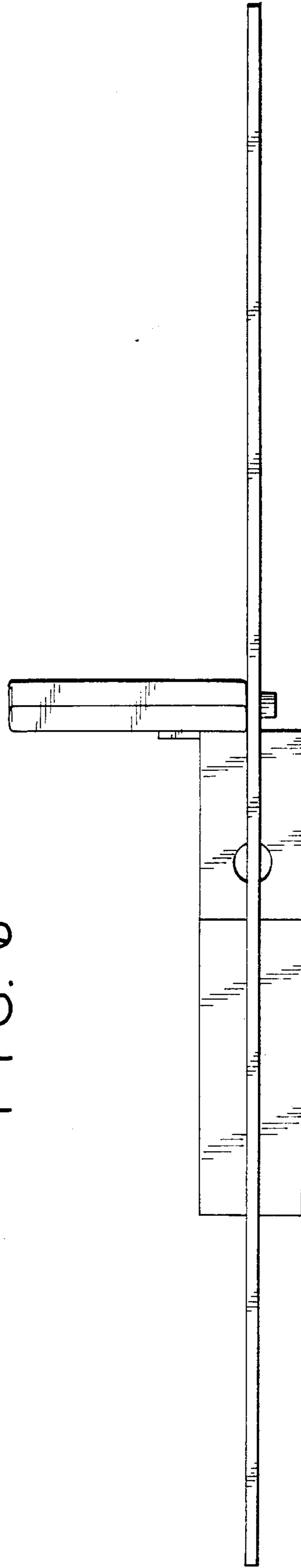


FIG. 7

