

United States Patent [19]

Steiner et al.

[11] Patent Number: Des. 299,427

[45] Date of Patent: ** Jan. 17, 1989

[54] SOAP CARTRIDGE

[75] Inventors: Robert L. Steiner, Chicago; Thomas Bajek, Berwyn, both of Ill.

[73] Assignee: Steiner Company, Inc., Chicago, Ill.

[**] Term: 14 Years

[21] Appl. No.: 725,993

[22] Filed: Apr. 22, 1985

[52] U.S. Cl. D9/370; D9/367

[58] Field of Search D9/400, 403, 413, 370, D9/371; D6/542, 545; 215/1 R, 1 C; 222/181, 207

[56] References Cited

U.S. PATENT DOCUMENTS

D. 207,774 5/1967 Brown D9/370 X
D. 262,923 2/1982 Broilliard D6/545
D. 272,493 2/1984 Steiner et al. D6/542
D. 278,886 5/1985 Kanfer D9/370 X
D. 282,244 1/1986 Santioemmo D9/370 X

D. 282,528 2/1986 Steiner D9/413 X
D. 284,835 7/1986 Banks D9/371 X
4,391,308 7/1983 Steiner 222/207 X

Primary Examiner—Robert C. Spangler
Attorney, Agent, or Firm—Emrich & Dithmar

[57] CLAIM

The ornamental design for a soap cartridge, a shown and described.

DESCRIPTION

FIG. 1 is a top plan view of a soap cartridge showing our new design;
FIG. 2 is a front elevational view;
FIG. 3 is a elevational view looking from the right of FIG. 2;
FIG. 4 is an elevational view looking from the left of FIG. 2;
FIG. 5 is a rear elevational view;
FIG. 6 is a bottom plan view thereof; and
FIG. 7 is a cross-sectional view as seen along line 7—7 in FIG. 5.

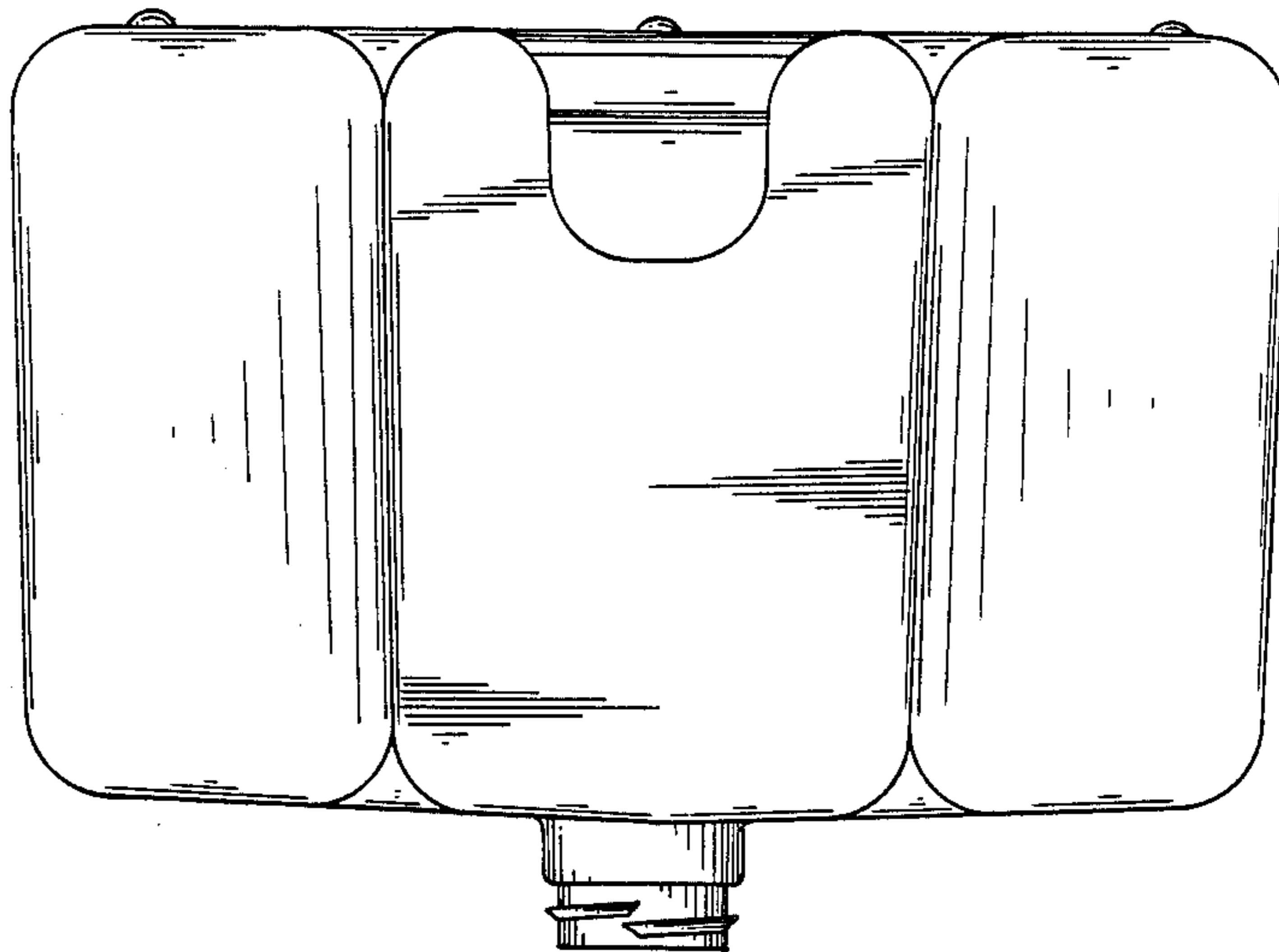


FIG.1

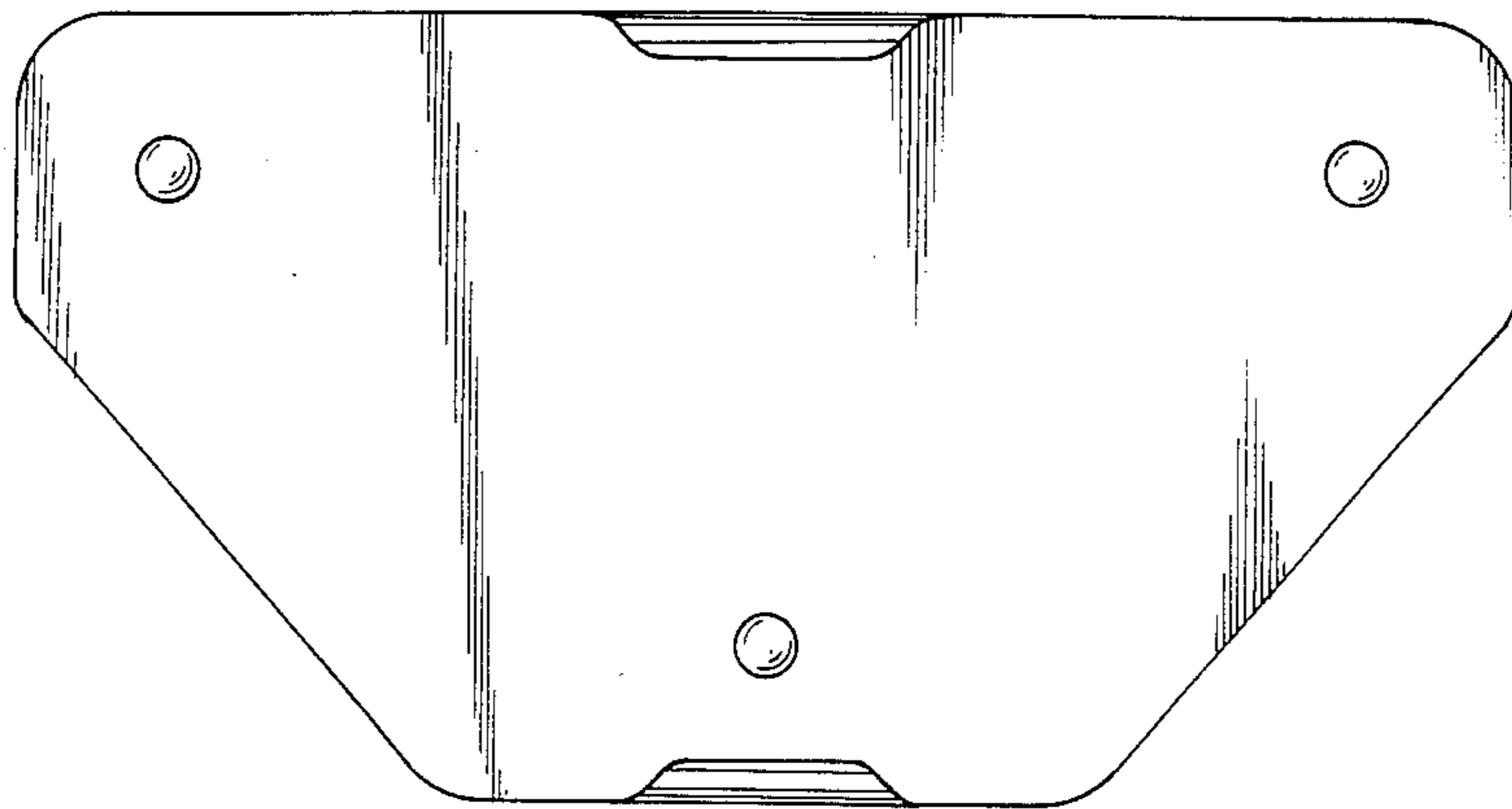


FIG.2

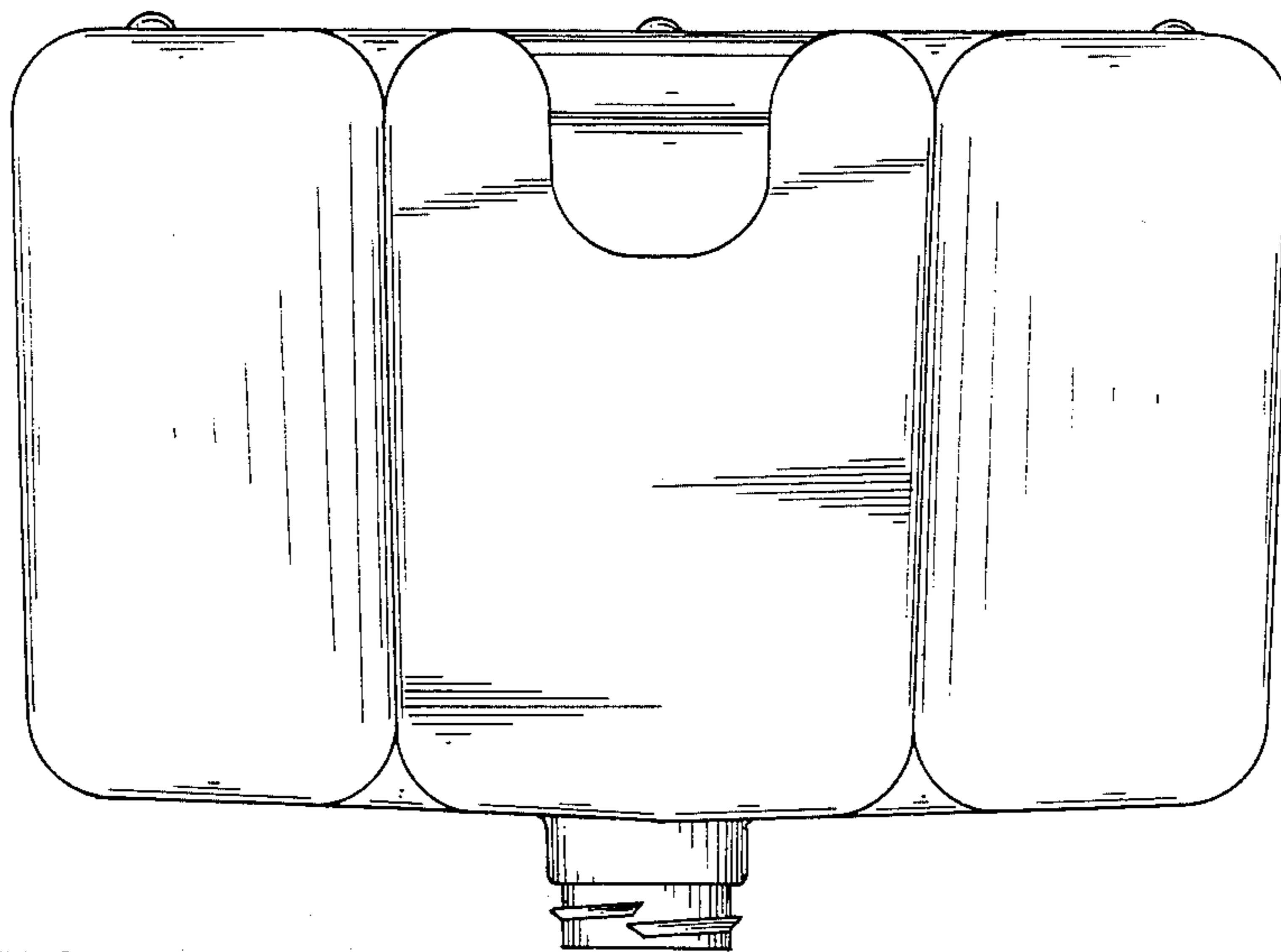


FIG.3

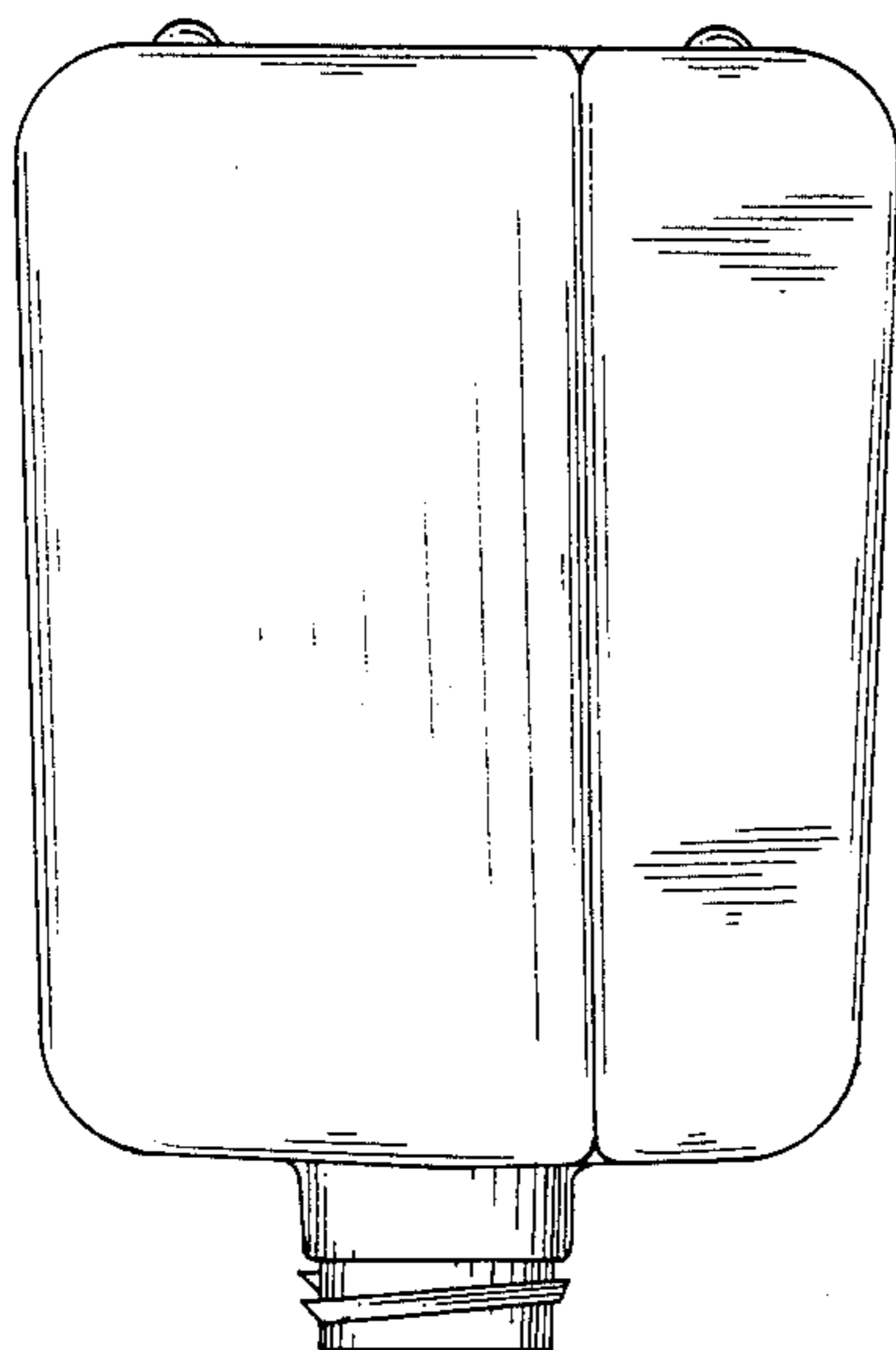


FIG.4

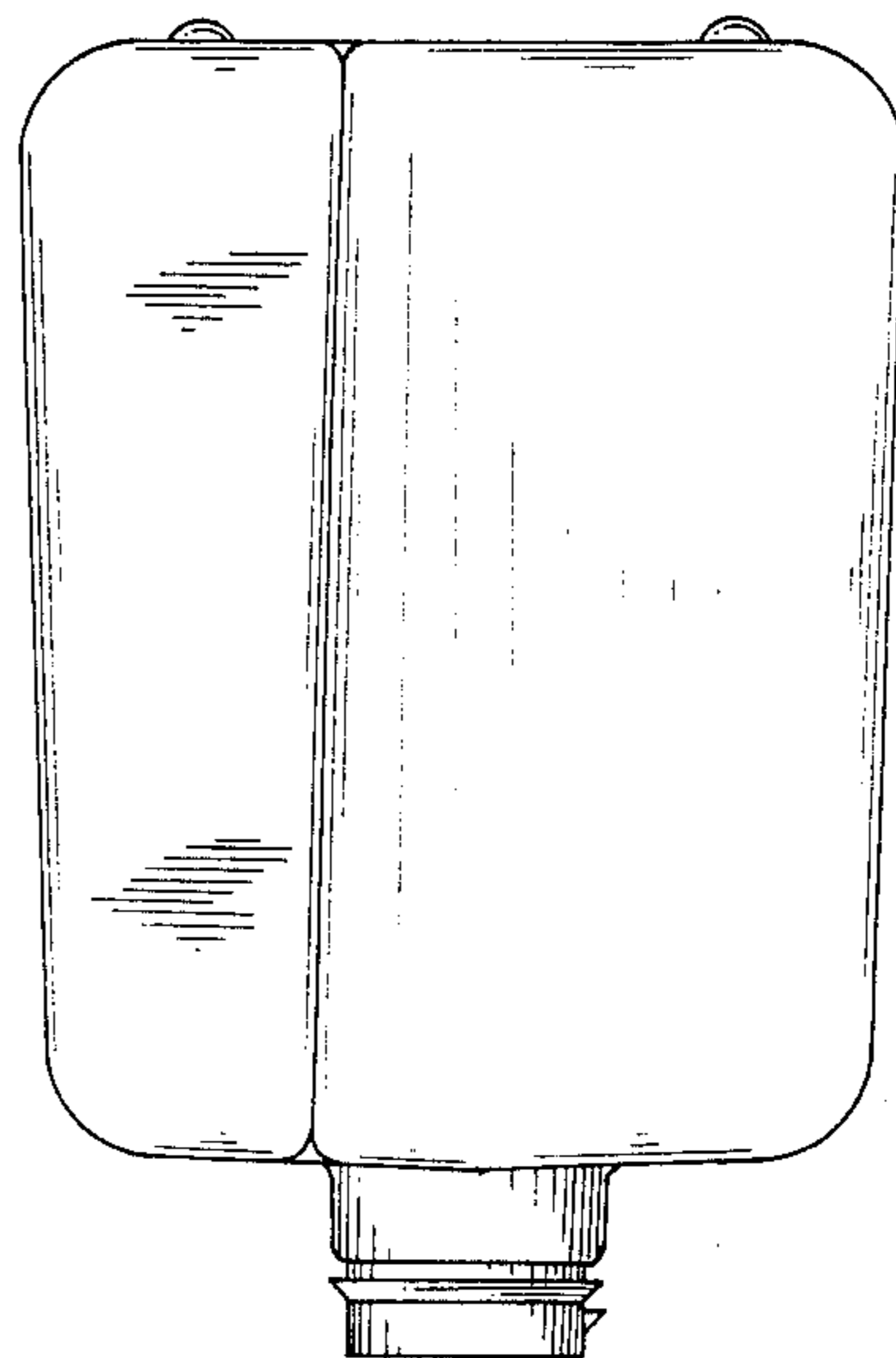


FIG. 5

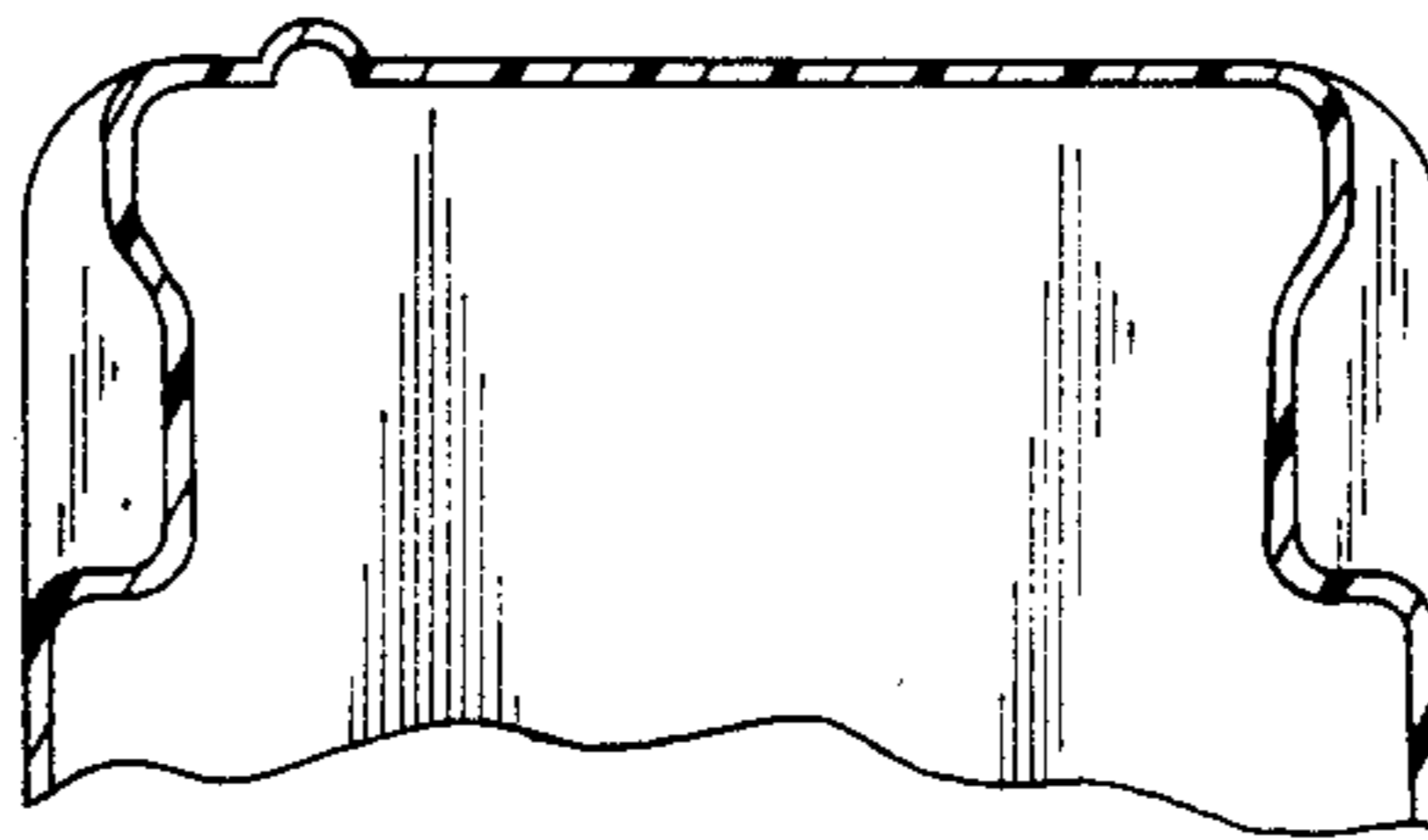
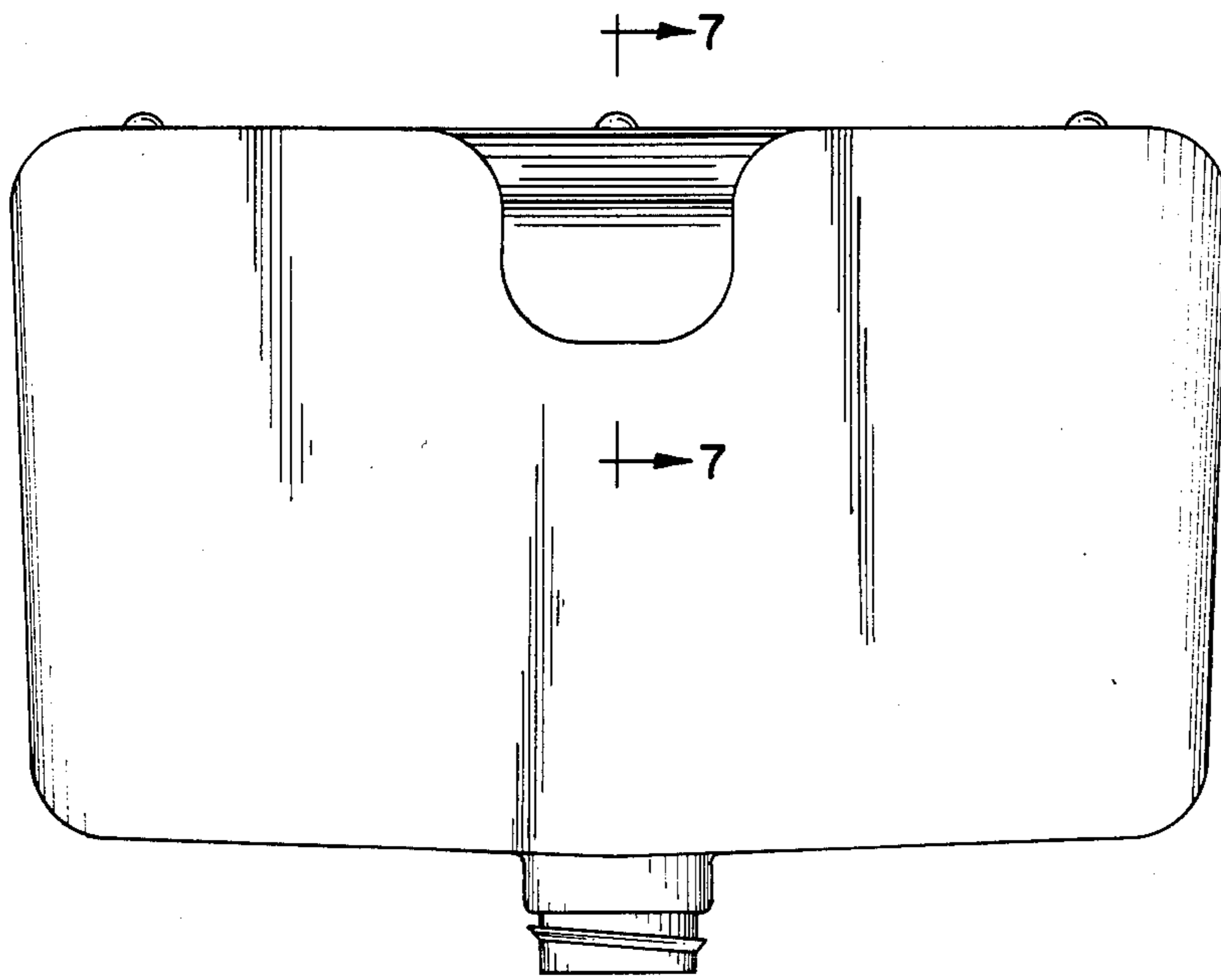


FIG. 7

FIG. 6

