

[54] CHAIN LINK

[75] Inventors: Roger H. Schroeder, Hartland;
Wasyly G. Hodlewsky, Greendale,
both of Wis.

[73] Assignee: Rexnord Inc., Brookfield, Wis.

[*] Notice: The portion of the term of this patent
subsequent to Jan. 17, 2003 has been
disclaimed.

[**] Term: 14 Years

[21] Appl. No.: 745,092

[22] Filed: Jun. 17, 1985

[52] U.S. Cl. D8/499; D34/29

[58] Field of Search D8/499; D34/29;
198/779, 780, 786, 850, 853

[56] References Cited

U.S. PATENT DOCUMENTS

2,554,038 5/1951 Lemmon 198/779

3,710,917	1/1973	Black	198/786
4,067,428	1/1978	Shuttleworth	198/780
4,231,469	11/1980	Arscott	198/779
4,271,960	6/1981	Chalich	198/779
4,352,447	10/1982	Bonaddio et al.	198/786

FOREIGN PATENT DOCUMENTS

0066530 12/1982 European Pat. Off. .

Primary Examiner—B. J. Bullock

Attorney, Agent, or Firm—Michael, Best & Friedrich

[57] CLAIM

The ornamental design for a chain link, as shown.

DESCRIPTION

FIG. 1 is a perspective view of a chain link showing my
new design;

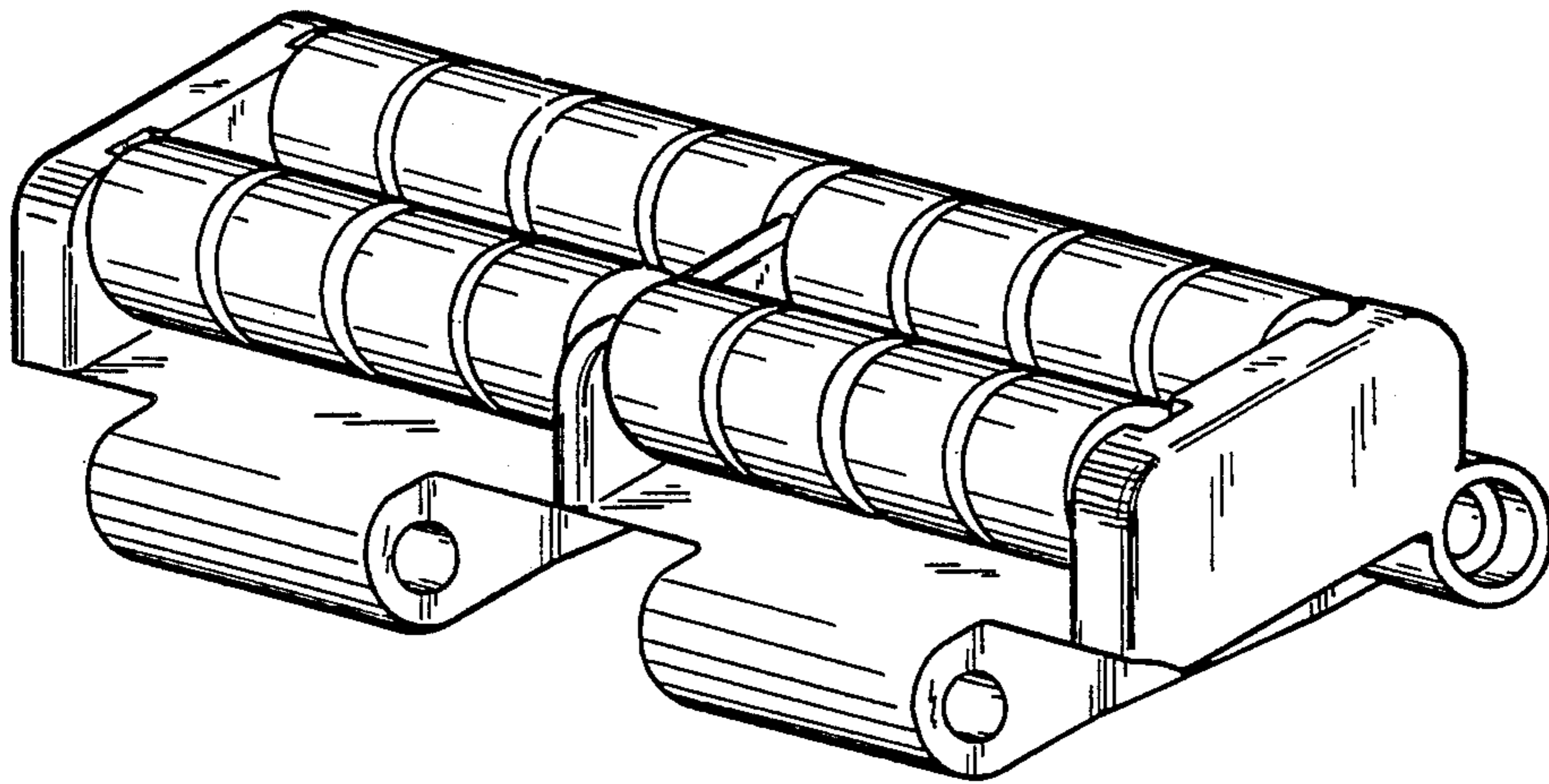
FIG. 2 is a rear elevational view thereof;

FIG. 3 is a top plan view thereof;

FIG. 4 is a left side elevational view thereof;

FIG. 5 is a front elevational view thereof;

FIG. 6 is a bottom plan view thereof.



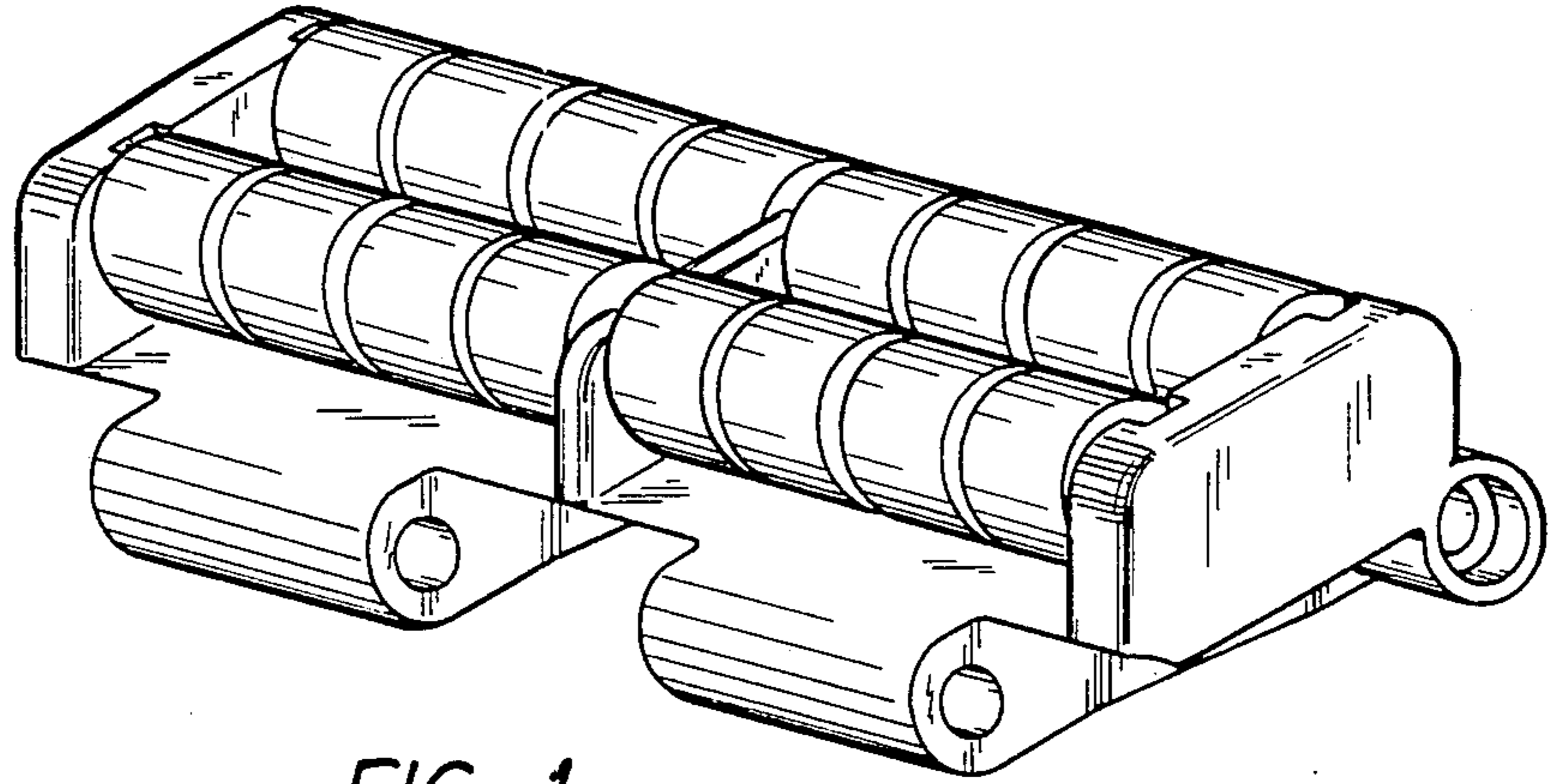


FIG. 1

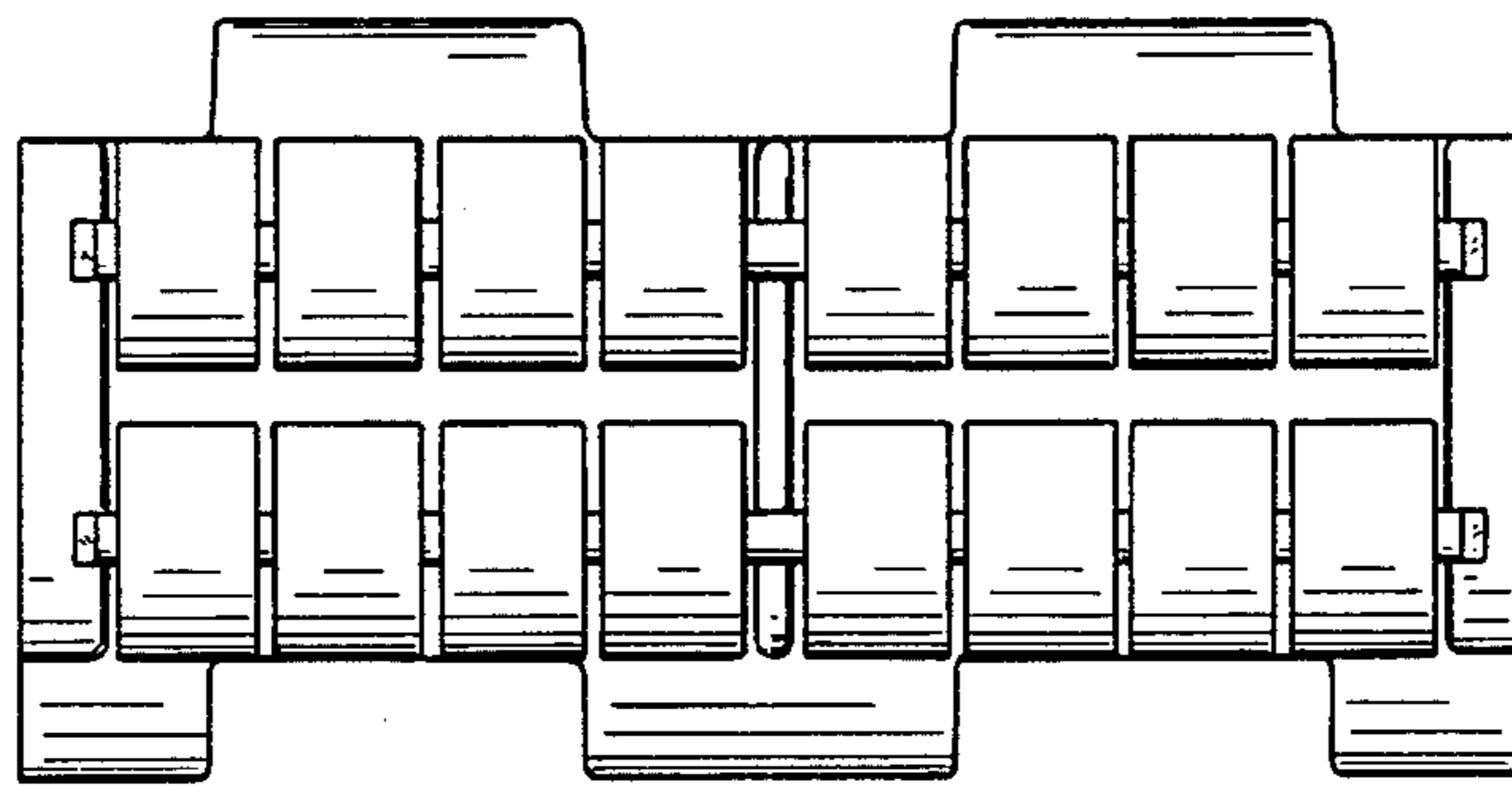


FIG. 3

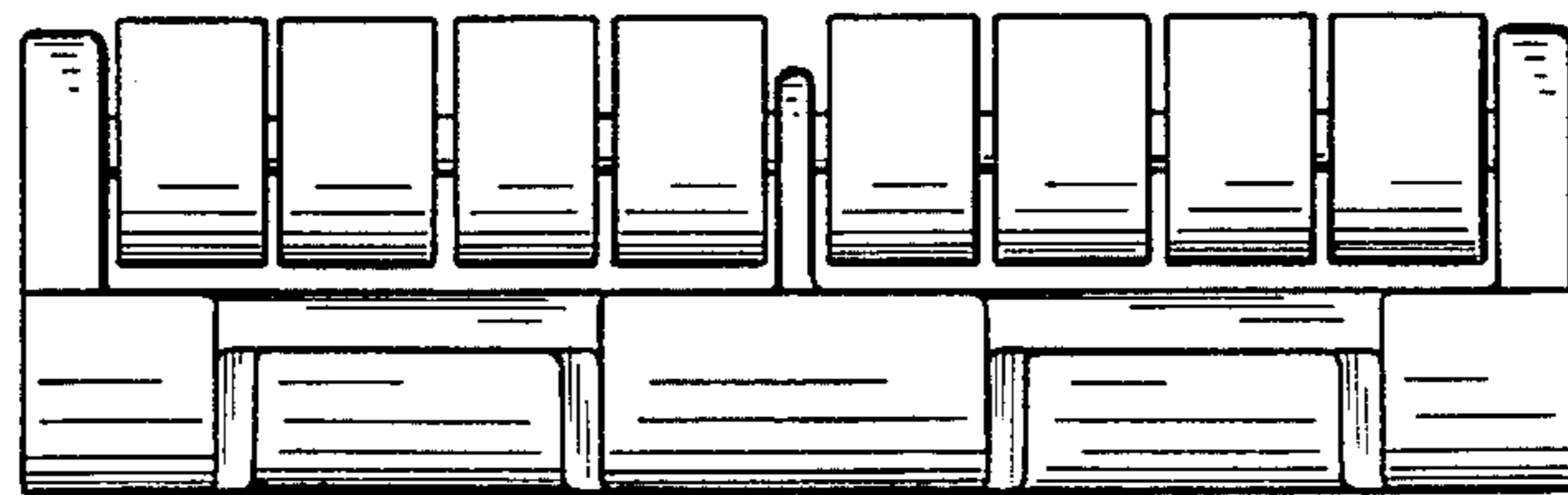


FIG. 2

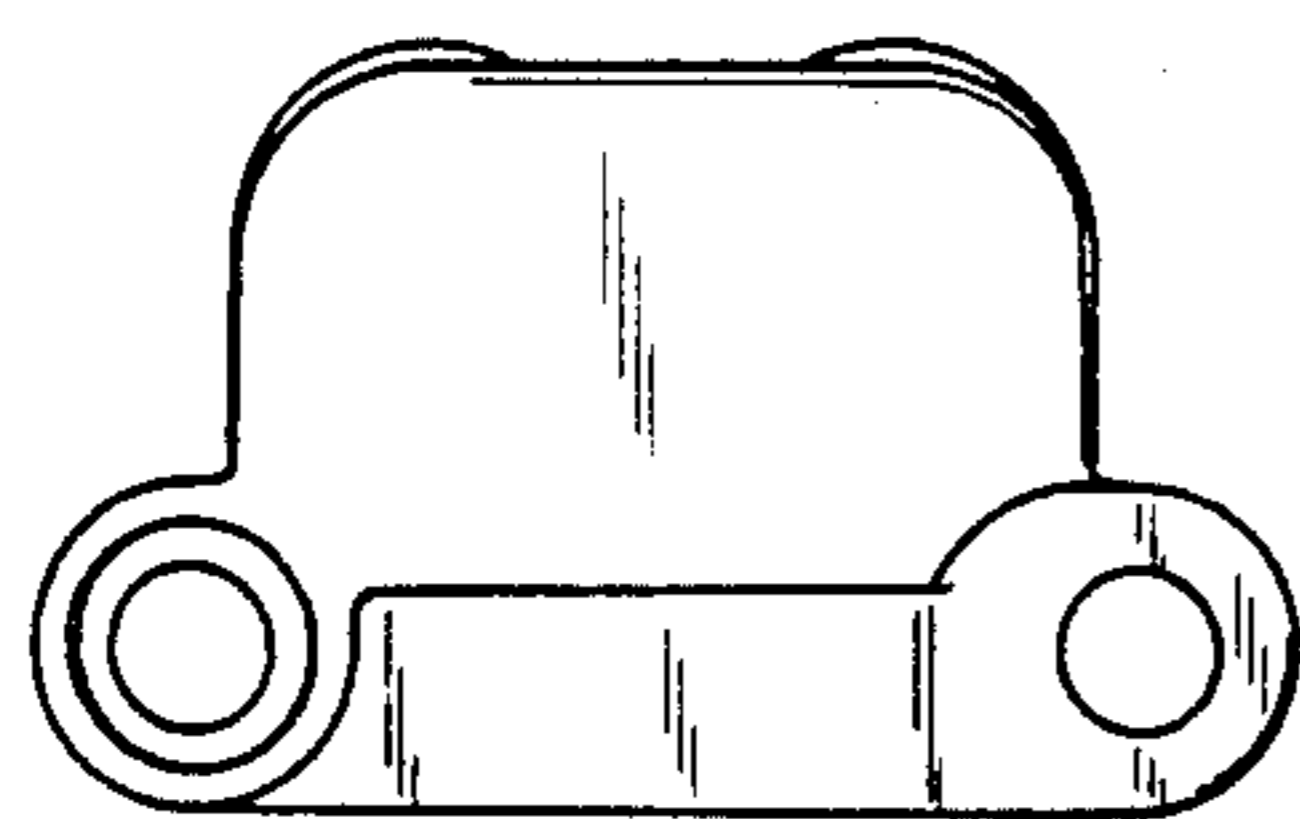


FIG. 4

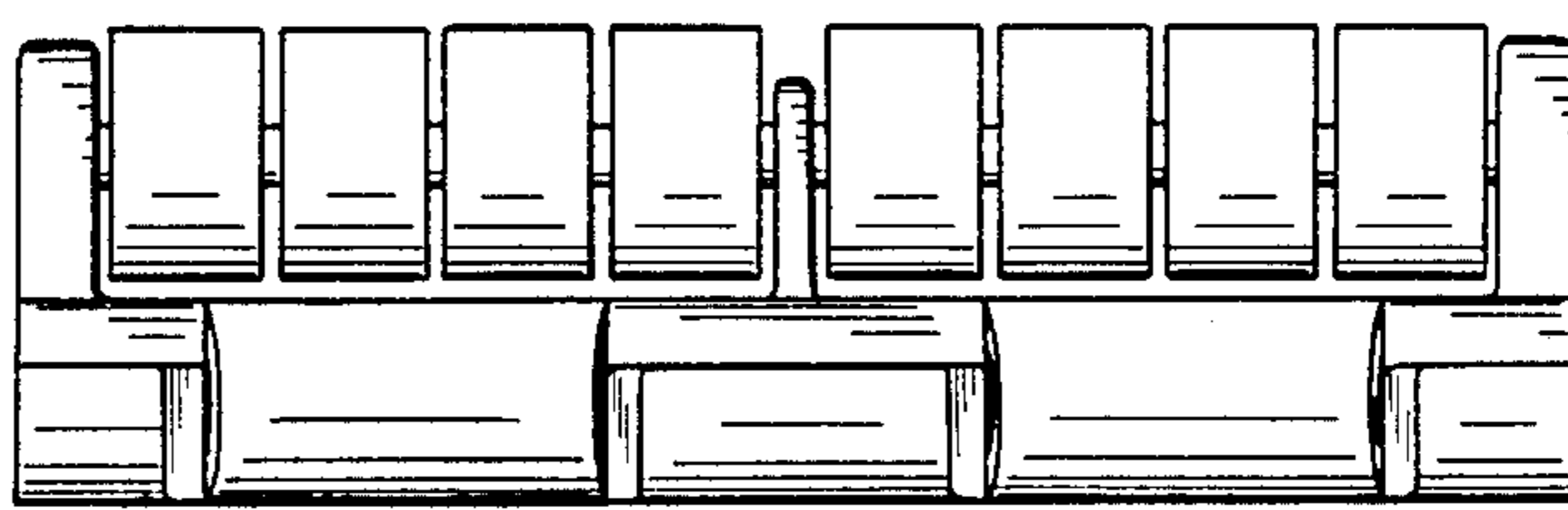


FIG. 5

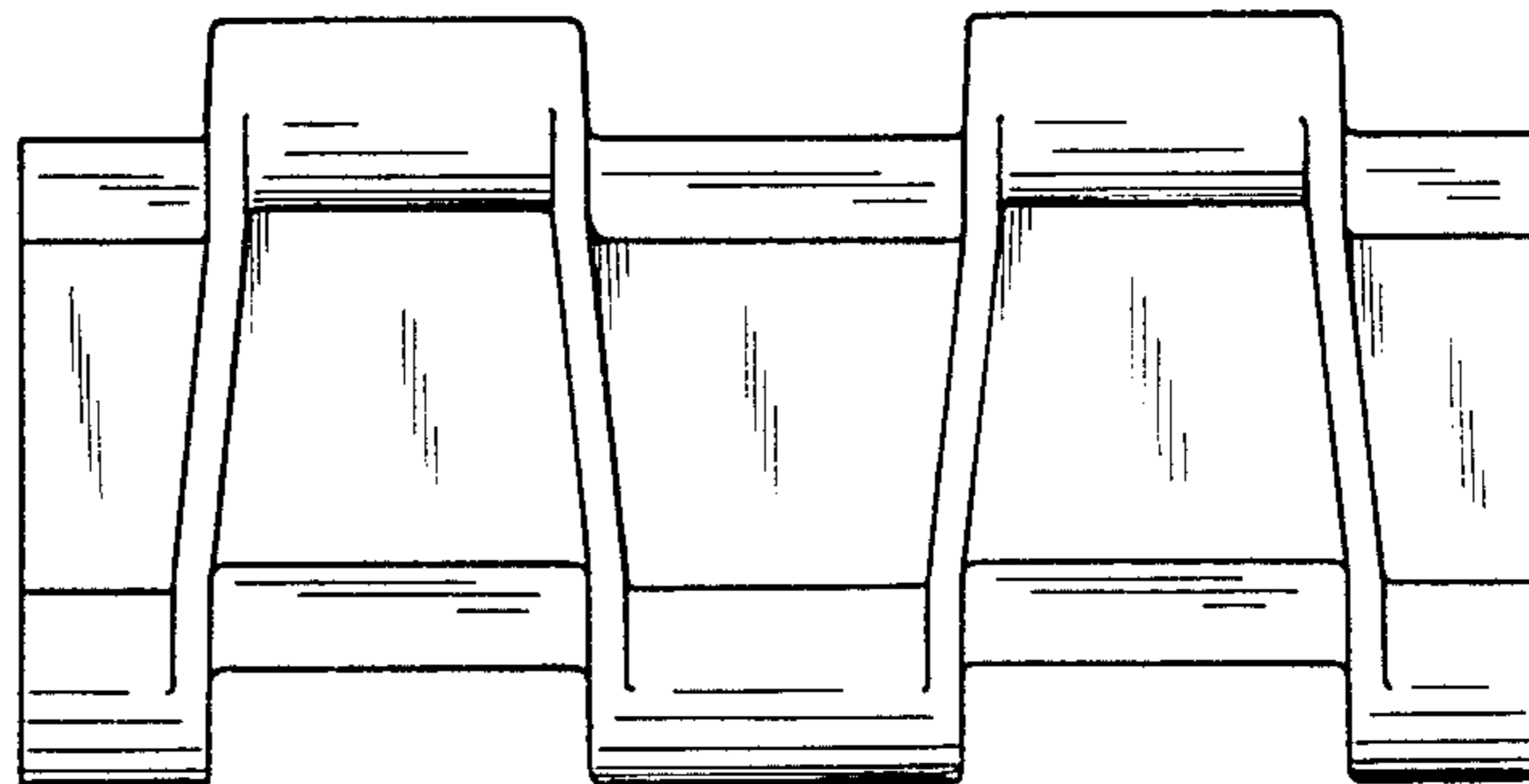


FIG. 6