

[54] HOLDER FOR A SHOWER BRUSH OR SIMILAR ARTICLE

[76] Inventor: George T. Davis, P.O. Box 20675, Los Angeles, Calif. 90006

[**] Term: 14 Years

[21] Appl. No.: 94,851

[22] Filed: Sep. 9, 1987

[52] U.S. Cl. D8/373; D8/372; D8/370; D6/567; D6/539

[58] Field of Search D8/373, 367, 356, 370, D8/372; 248/339, 340, 304, 303, 213, 251, 110; D6/536, 525, 567, 539

[56] References Cited

U.S. PATENT DOCUMENTS

D. 157,925	3/1950	Todd	D8/373
216,147	6/1879	Brown	248/304
D. 227,522	7/1973	Burt	D8/373 X
D. 227,858	7/1973	Goldman et al.	D8/373
D. 233,823	12/1974	Langlie et al.	D8/356 X
D. 254,881	5/1980	Pyskaty	D8/373 X
997,858	7/1911	Savage	248/213

2,402,374	6/1946	Corn et al.	248/110
2,762,595	9/1956	Jenne	248/304 X
3,782,559	1/1974	Wright	248/339 X
4,411,401	10/1983	Anderson	248/251 X

FOREIGN PATENT DOCUMENTS

244640	12/1925	United Kingdom	248/213
--------	---------	----------------	-------	---------

Primary Examiner—Horace B. Fay, Jr.

[57] CLAIM

The ornamental design for holder for a shower brush or similar article, as disclosed.

DESCRIPTION

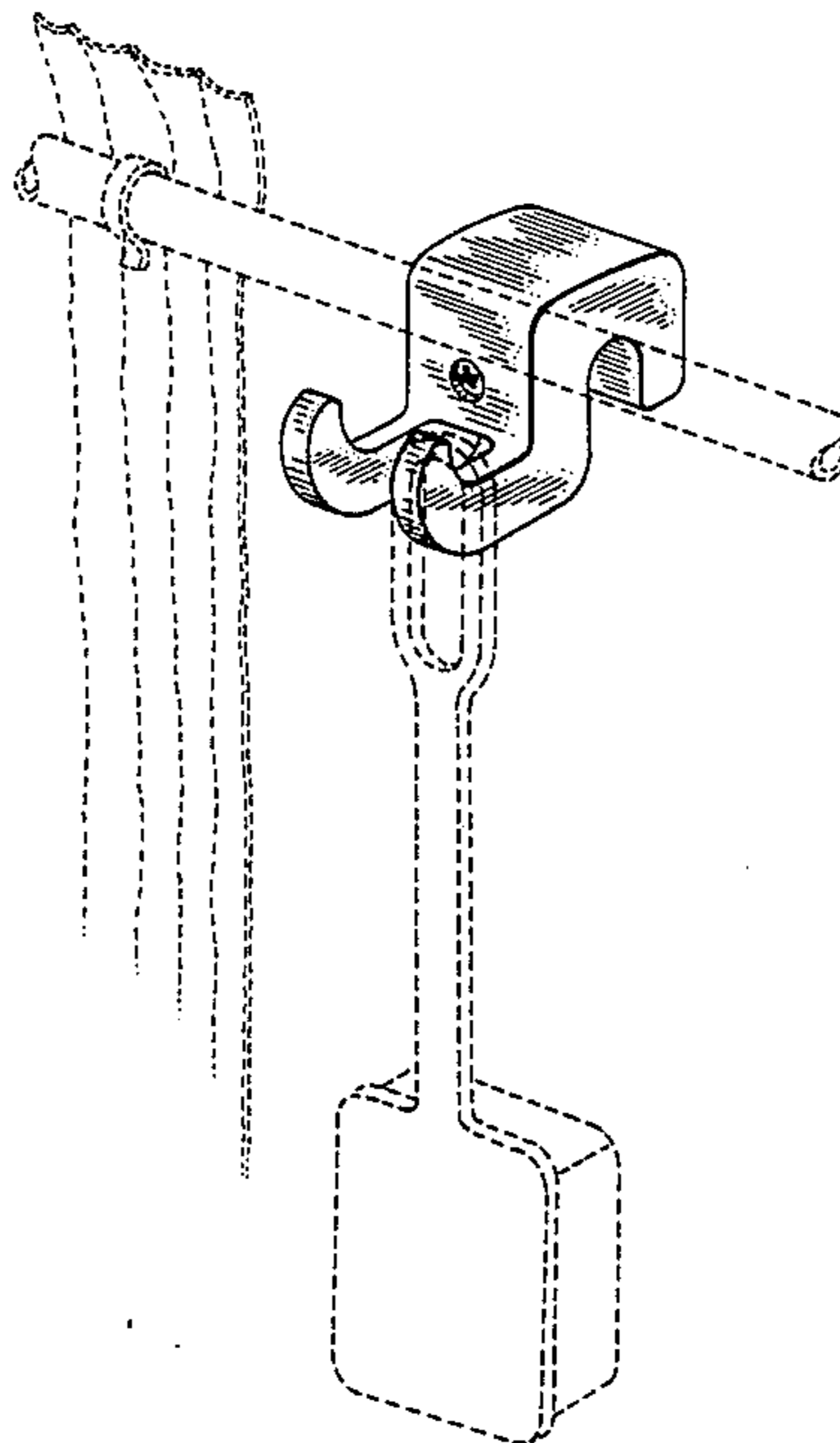
FIG. 1 is a front, top and right side perspective view of a holder for a shower brush or similar article showing my new design;

FIG. 2 is a right side elevational view thereof, the side opposite being a mirror image;

FIG. 3 is a rear elevational view thereof; and

FIG. 4 is a top plan view thereof.

The broken-line portions of each of the four figures are not part of, and are not included in, my new design, but are shown for orientation and environmental purposes only.



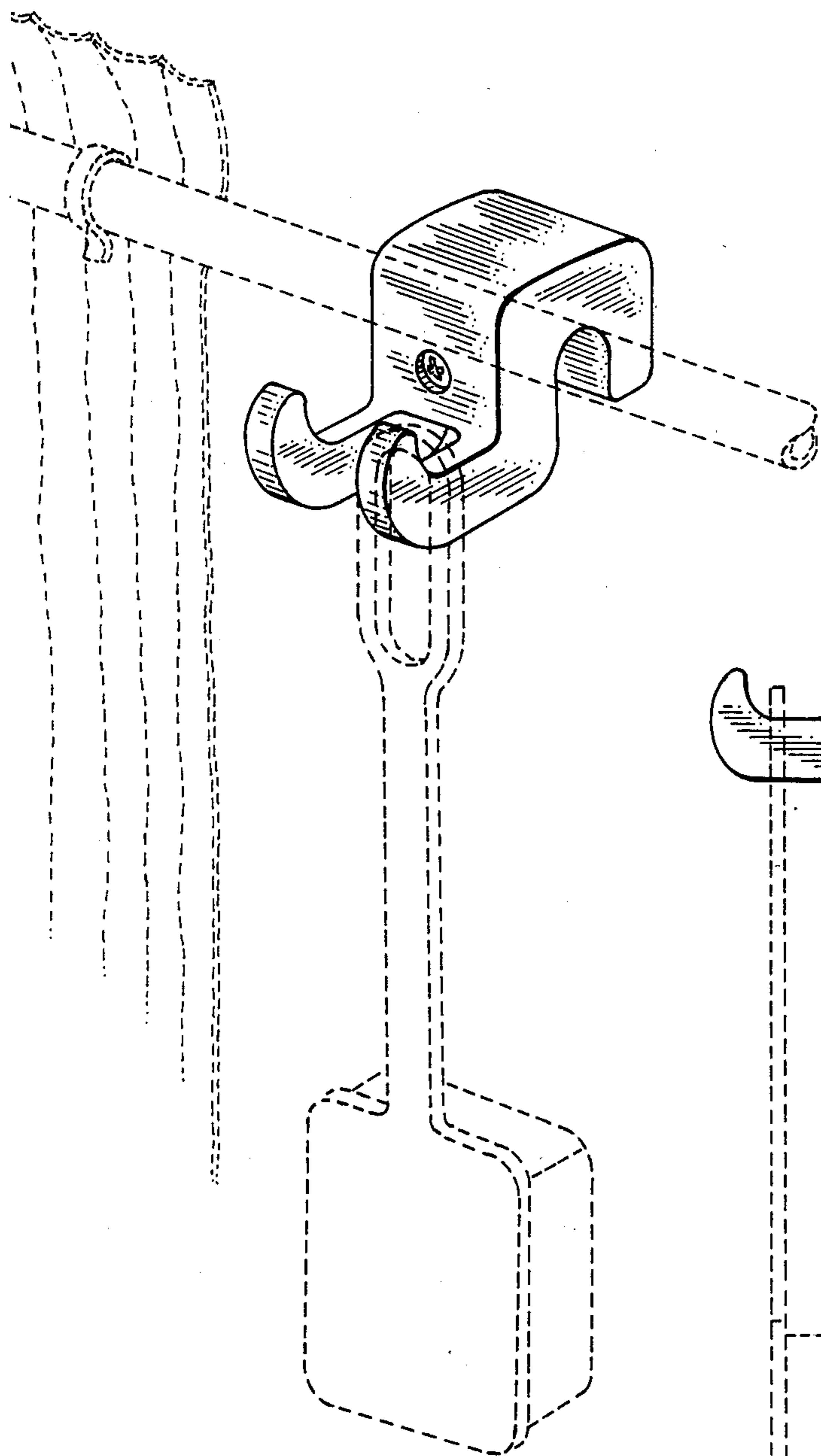


FIG. 1

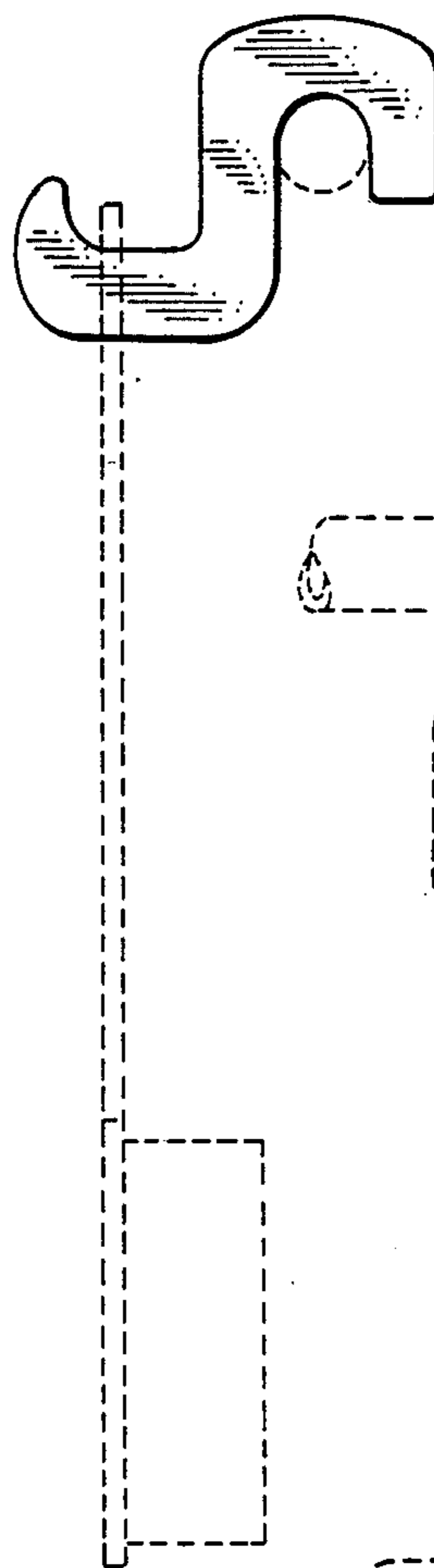


FIG. 2

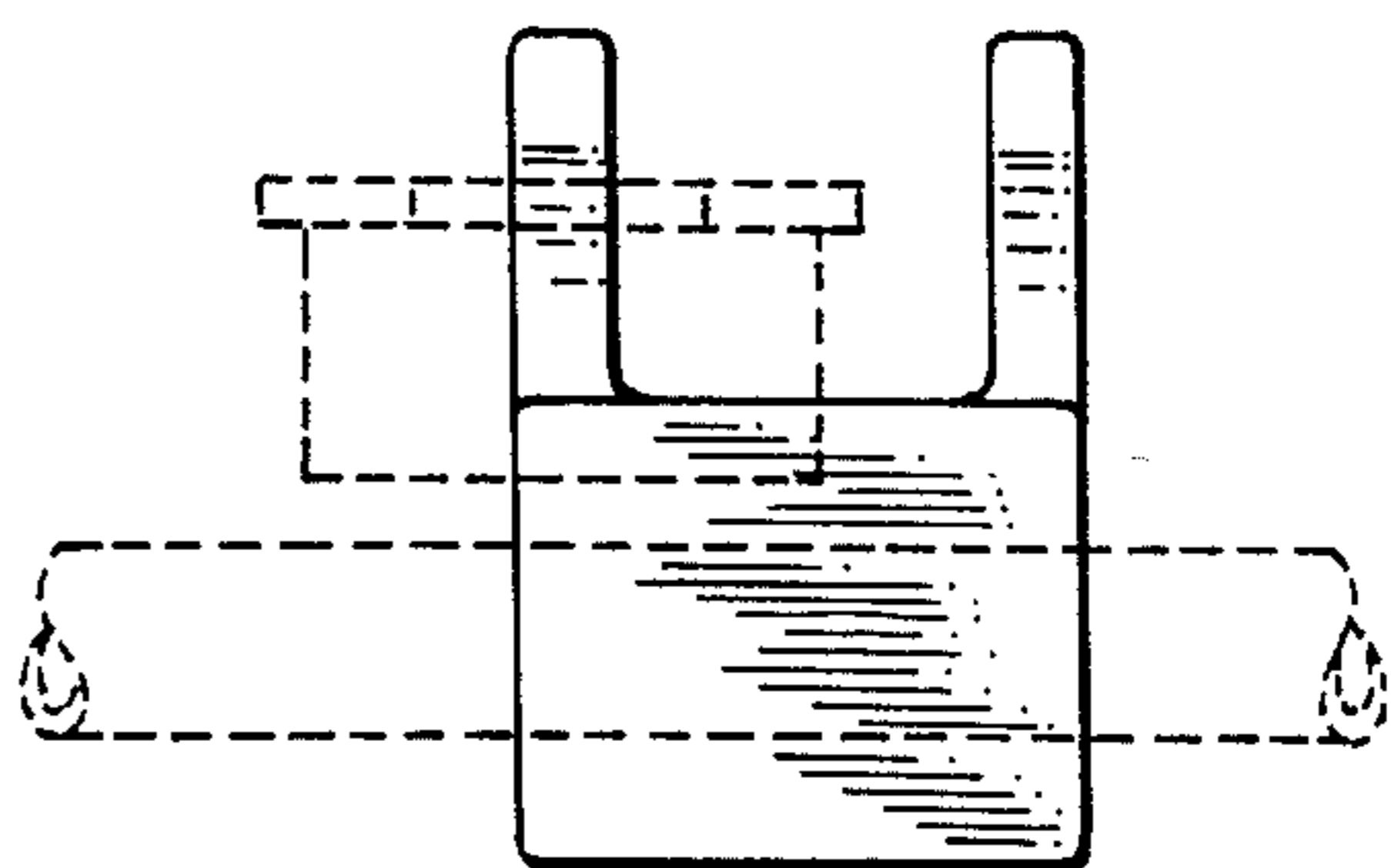


FIG. 4

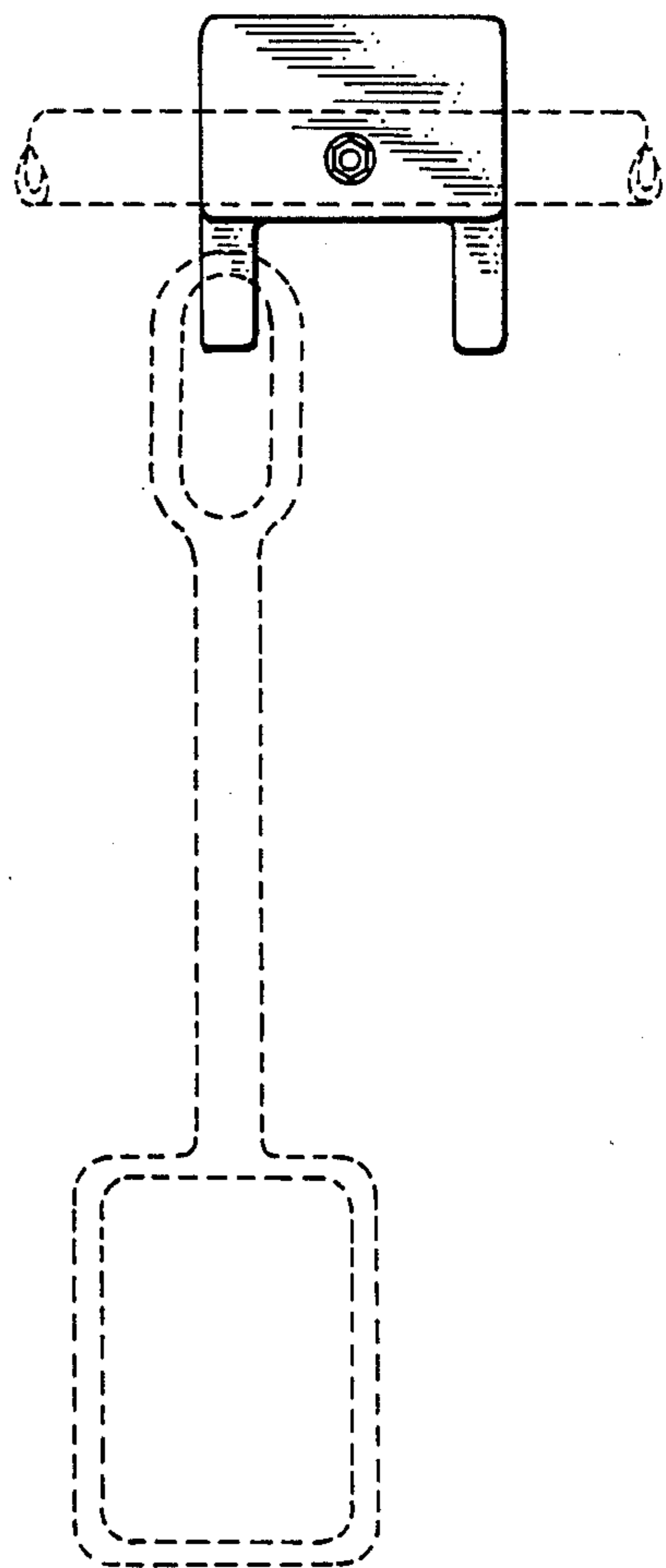


FIG. 3